



US00D449288B1

(12) **United States Design Patent**
Sogabe

(10) **Patent No.:** **US D449,288 S**

(45) **Date of Patent:** **** Oct. 16, 2001**

(54) **AMPLIFIER**

(75) Inventor: **Takashi Sogabe**, Tokyo (JP)

(73) Assignee: **Sony Corporation**, Tokyo (JP)

(**) Term: **14 Years**

(21) Appl. No.: **29/125,977**

(22) Filed: **Jul. 6, 2000**

(51) **LOC (7) Cl.** **14-03**

(52) **U.S. Cl.** **D14/188**

(58) **Field of Search** D13/179, 184;
D14/188, 197-198; 455/344, 347-348,
350, 351

(56) **References Cited**

U.S. PATENT DOCUMENTS

| | | | | | |
|------------|---|---------|----------|-------|-----------|
| D. 337,114 | * | 7/1993 | Mantz | | D14/188 |
| D. 373,572 | * | 9/1996 | Orton | | D13/179 |
| D. 386,761 | * | 11/1997 | Pieitz | | D14/188 |
| D. 416,903 | | 11/1999 | Kizawa | | D14/188 |
| D. 419,156 | | 1/2000 | Yamazaki | | D14/188 |
| 5,285,500 | * | 2/1994 | Mantz | | 455/348 X |

OTHER PUBLICATIONS

“Kenwood Component Catalog 1999”, pp. 32 & 33, Kenwood Corporation, Feb. 1999.

“Addzest”, <http://www.clarion/japanese/news/375-1.htm>, Clarion, Feb. 2000.

Catalog “94”, pp. 194 & 195 (XM-7527, XM-1002HX/R, XM-754HX/R, XM-260G & XM-5526).

* cited by examiner

Primary Examiner—Nanda Bondade

(74) *Attorney, Agent, or Firm*—Rader, Fishman & Grauer

(57) **CLAIM**

The ornamental design for an amplifier, as shown and described.

DESCRIPTION

FIG. 1 is a perspective view of an amplifier showing my design;

FIG. 2 is a top plan view thereof;

FIG. 3 is a left side elevational view thereof;

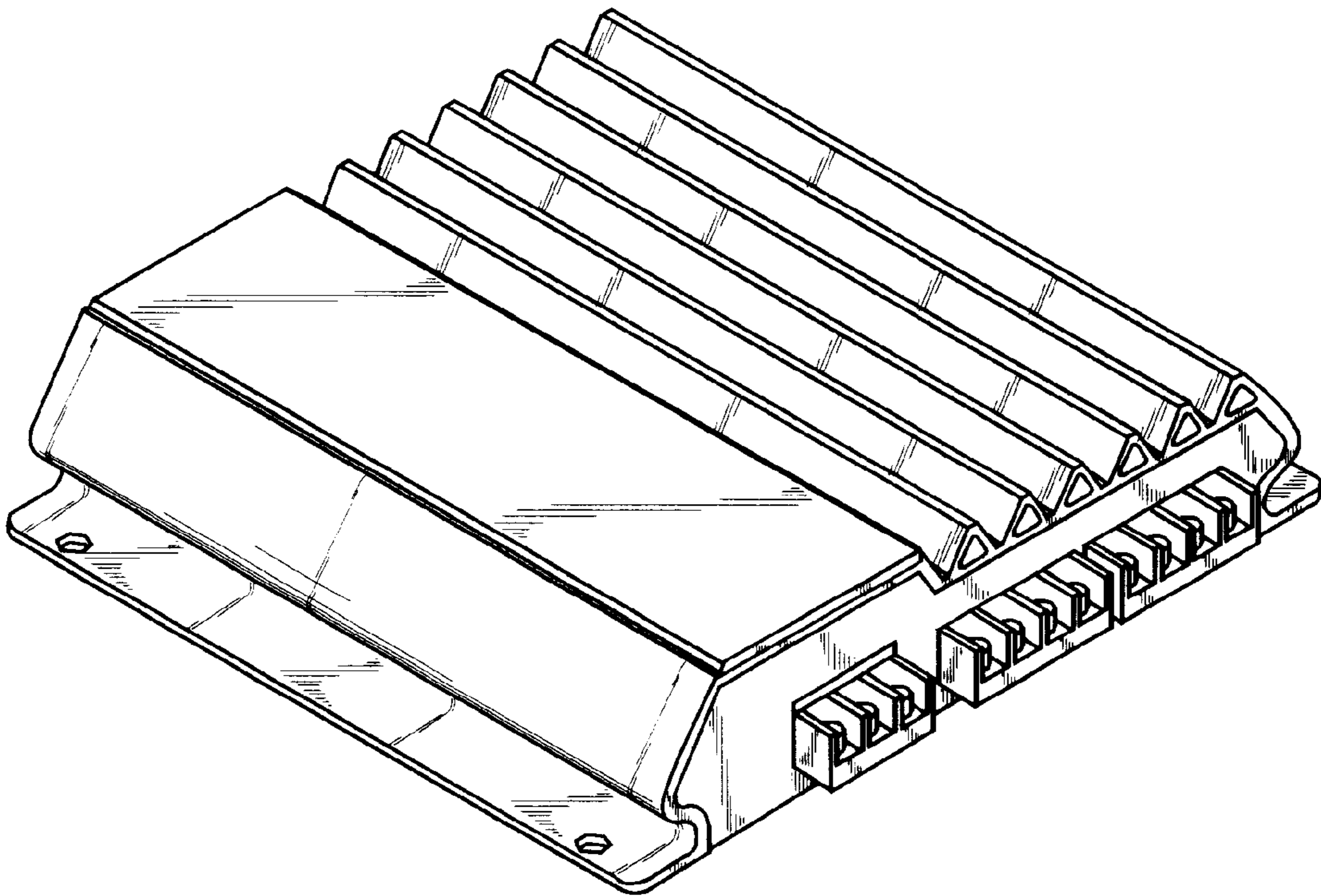
FIG. 4 is a rear elevational view thereof;

FIG. 5 is a front elevational view thereof;

FIG. 6 is a bottom plan view thereof; and,

FIG. 7 is a right side elevational view thereof.

1 Claim, 4 Drawing Sheets



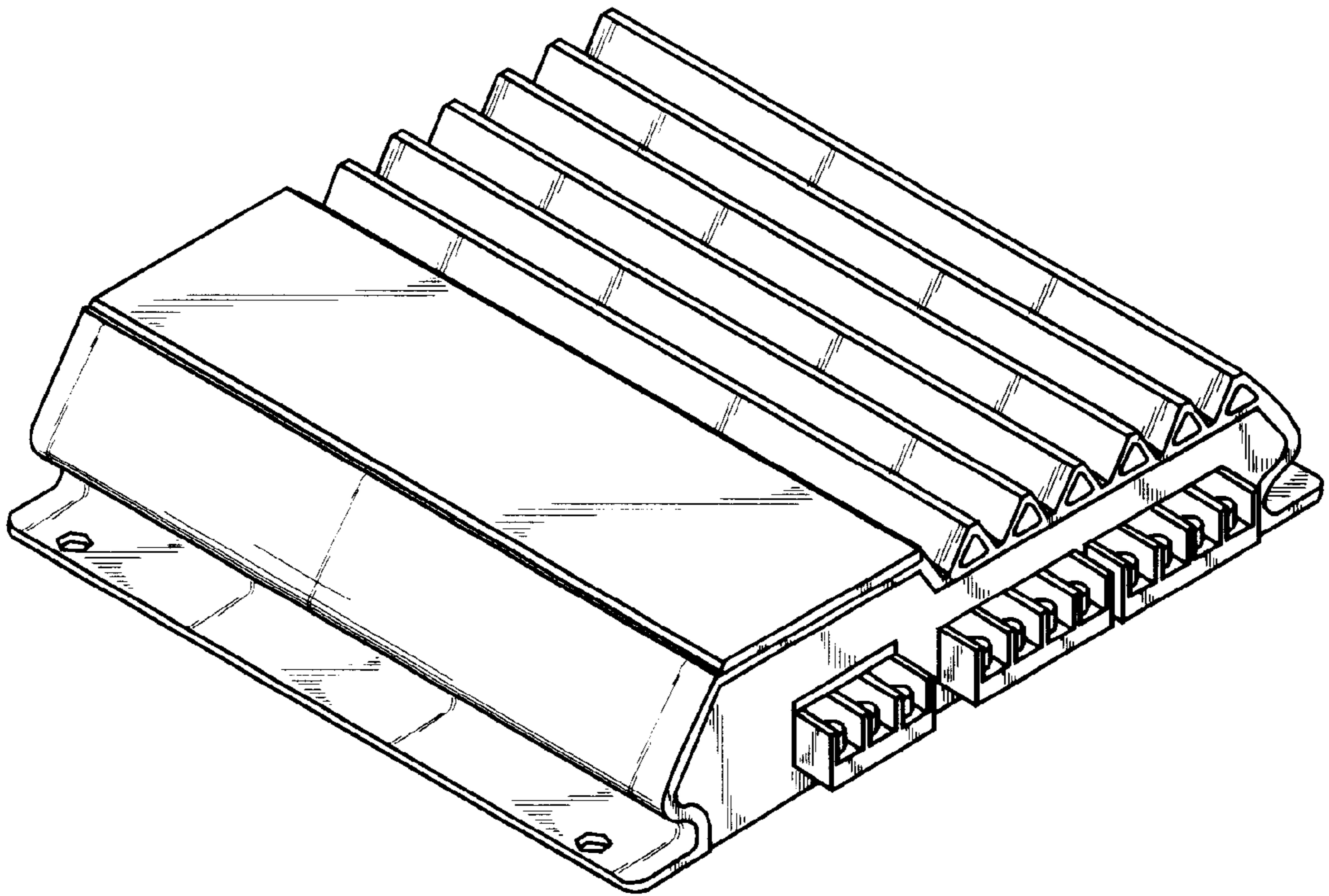


Fig. 1

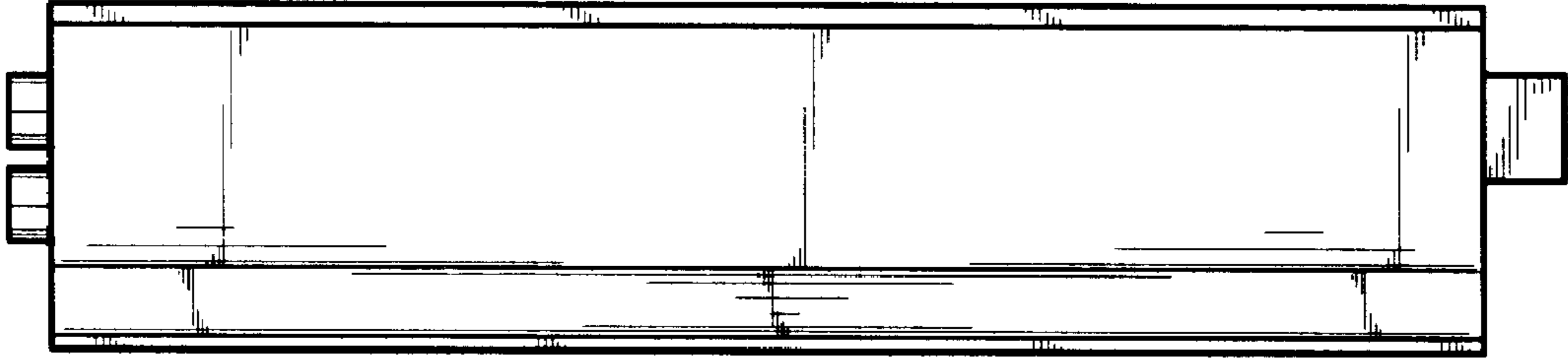


Fig. 2

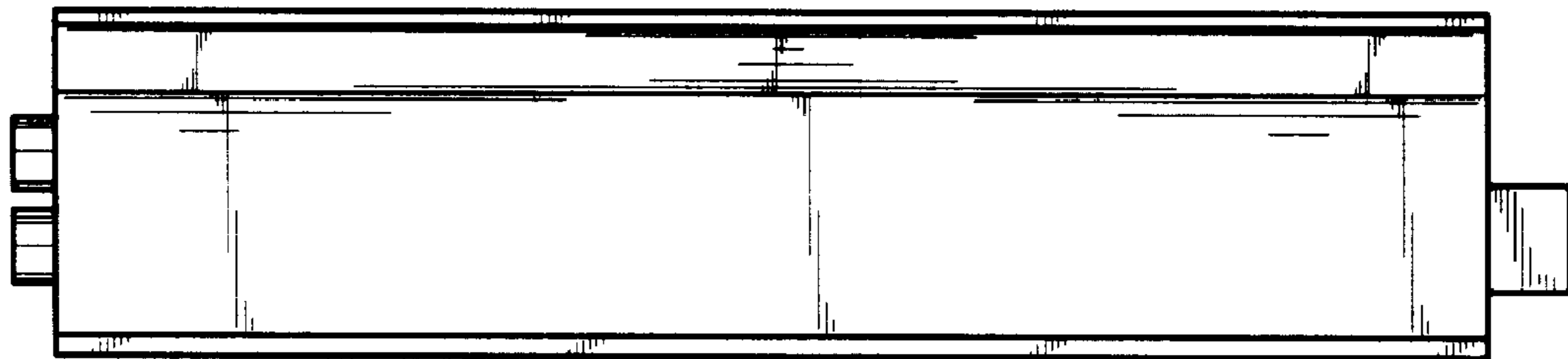


Fig. 6

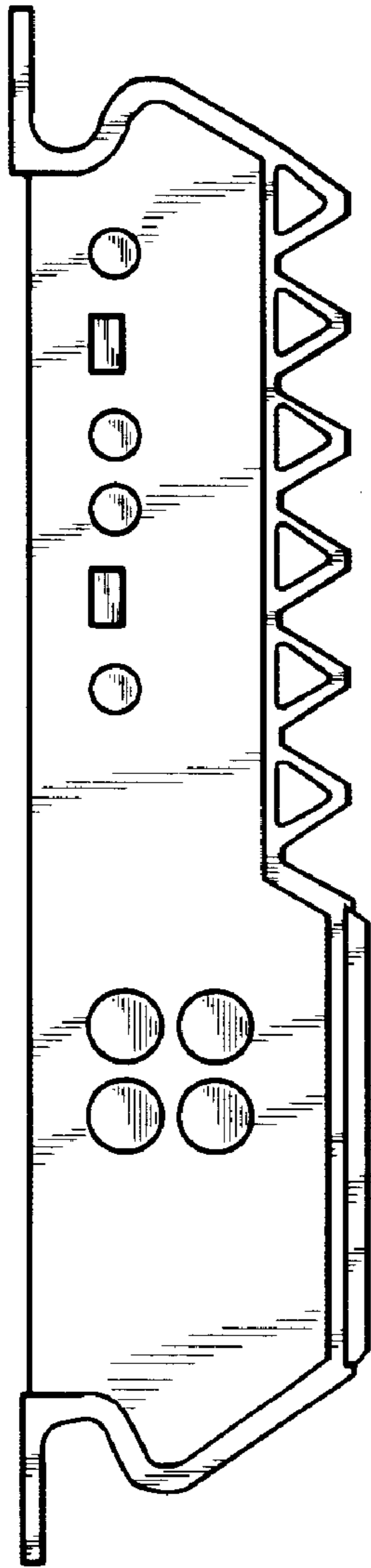


Fig. 3

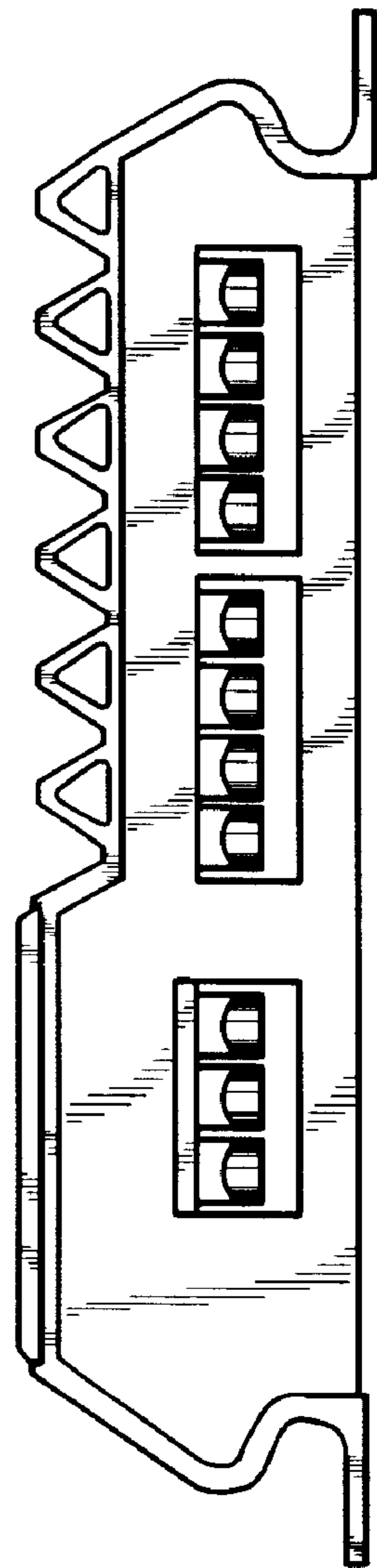


Fig. 7

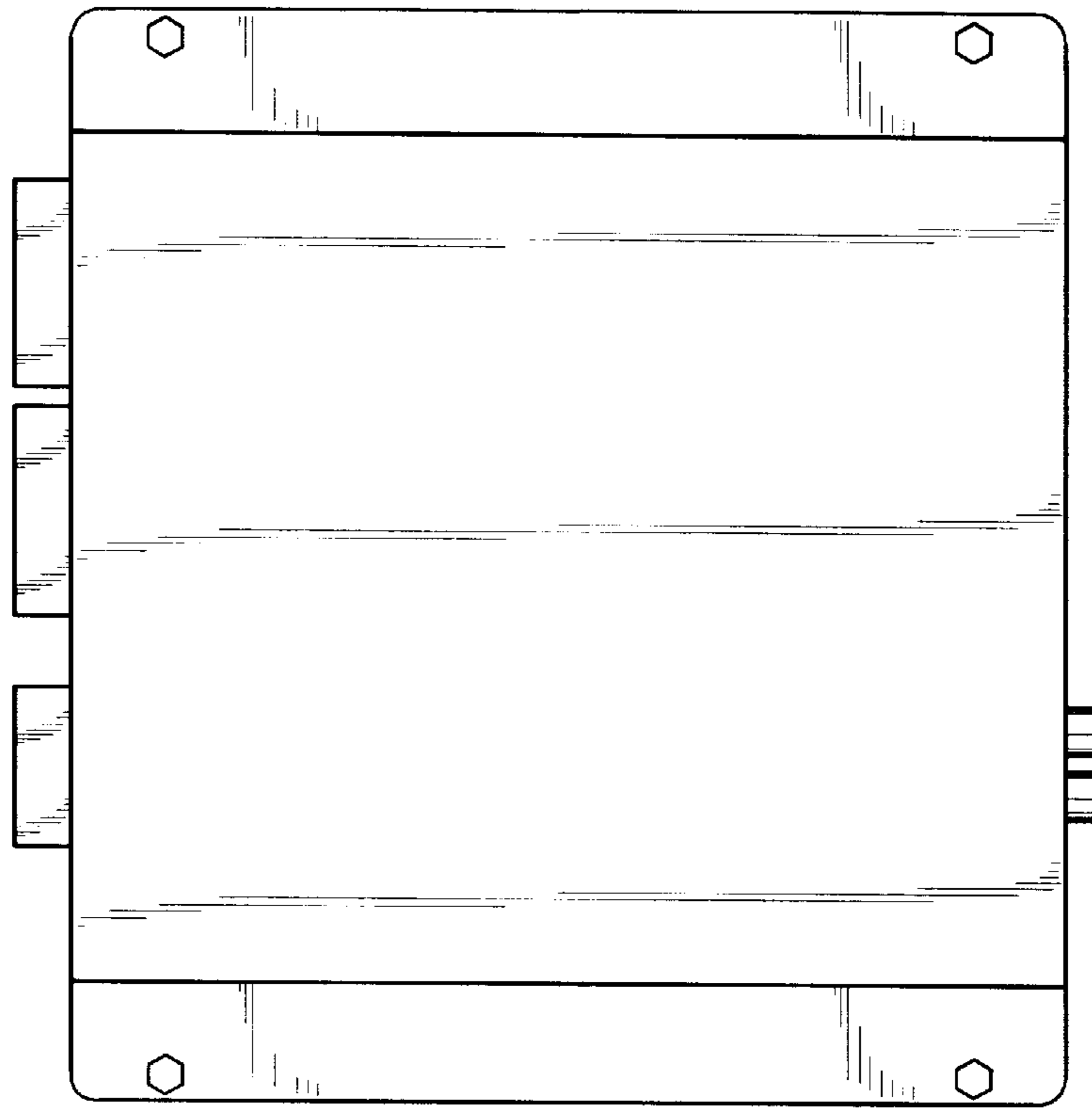


Fig. 4

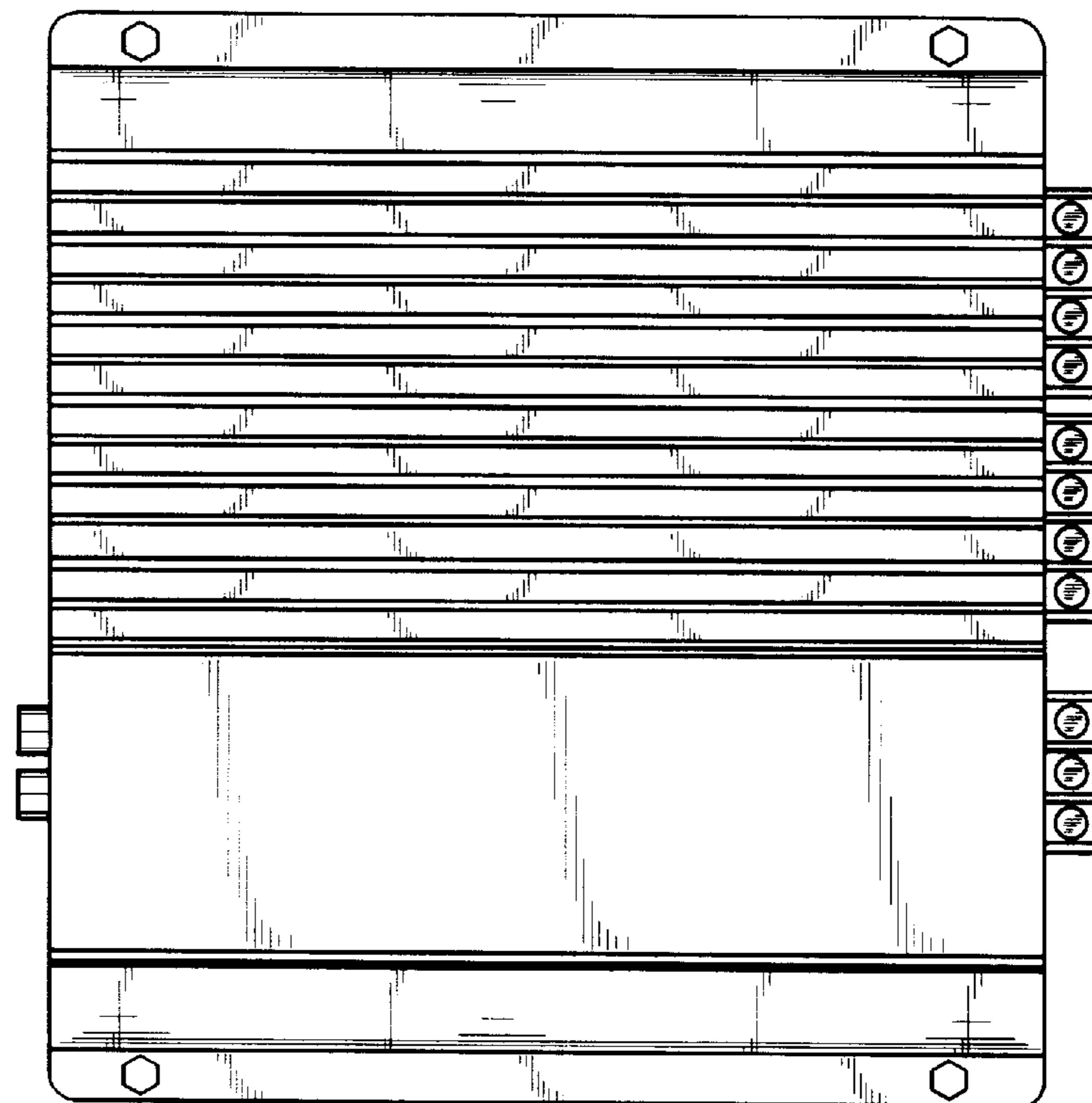


Fig. 5