



US00D449284B1

(12) **United States Design Patent**  
**Kim et al.**

(10) **Patent No.:** **US D449,284 S**

(45) **Date of Patent:** **\*\* Oct. 16, 2001**

(54) **WIRELESS PHONE**

(75) Inventors: **Sun Ah Kim; Jae Kyung Lee**, both of  
Kyonggi-Do (KR)

(73) Assignee: **Appeal Telecom Co., Ltd.**,  
Kyonggi-Do (KR)

(\*\*) Term: **14 Years**

(21) Appl. No.: **29/132,457**

(22) Filed: **Nov. 13, 2000**

(51) **LOC (7) Cl.** ..... **14-03**

(52) **U.S. Cl.** ..... **D14/138**

(58) **Field of Search** ..... D14/137, 138,  
D14/218, 147-148, 247-248, 144, 341-347;  
379/433.434, 419, 420, 428, 440; 455/550-575,  
90

(56) **References Cited**

**U.S. PATENT DOCUMENTS**

- D. 346,164 \* 4/1994 Shirakawa et al. .... D14/138
- D. 359,734 \* 6/1995 Nagele et al. .... D14/138
- D. 369,598 \* 5/1996 Nagele et al. .... D14/138
- D. 408,030 \* 4/1999 Richards et al. .... D14/138
- D. 415,152 \* 10/1999 Koo ..... D14/138
- D. 419,155 \* 1/2000 Nagele et al. .... D14/138
- D. 419,991 \* 2/2000 Park ..... D14/138
- D. 424,557 \* 5/2000 Nagele et al. .... D14/138
- D. 428,403 \* 7/2000 Hyun ..... D14/138
- D. 429,228 \* 8/2000 Nagele et al. .... D14/138
- D. 429,707 \* 8/2000 Park ..... D14/138
- D. 429,709 \* 8/2000 Nagele et al. .... D14/138
- D. 430,859 \* 9/2000 Lindeman et al. .... D14/138

- D. 431,539 \* 10/2000 Kuo ..... D14/138
- D. 432,105 \* 10/2000 Hyun ..... D14/138
- D. 432,510 \* 10/2000 Hyun ..... D14/138
- D. 434,402 \* 11/2000 Lee ..... D14/138
- D. 439,571 \* 3/2001 Hyun ..... D14/138
- 5,933,783 \* 8/1999 Kawakami et al. .... 455/550
- 6,011,699 \* 1/2000 Murray et al. .... 361/814
- 6,049,725 \* 4/2000 Emmert et al. .... 455/573
- 6,141,540 \* 10/2000 Richards et al. .... 455/90

**FOREIGN PATENT DOCUMENTS**

- 848974 \* 10/1992 (JP) .
- 849173 \* 10/1992 (JP) .

\* cited by examiner

*Primary Examiner*—Jeffrey Asch

(74) *Attorney, Agent, or Firm*—McGuire Woods, LLP

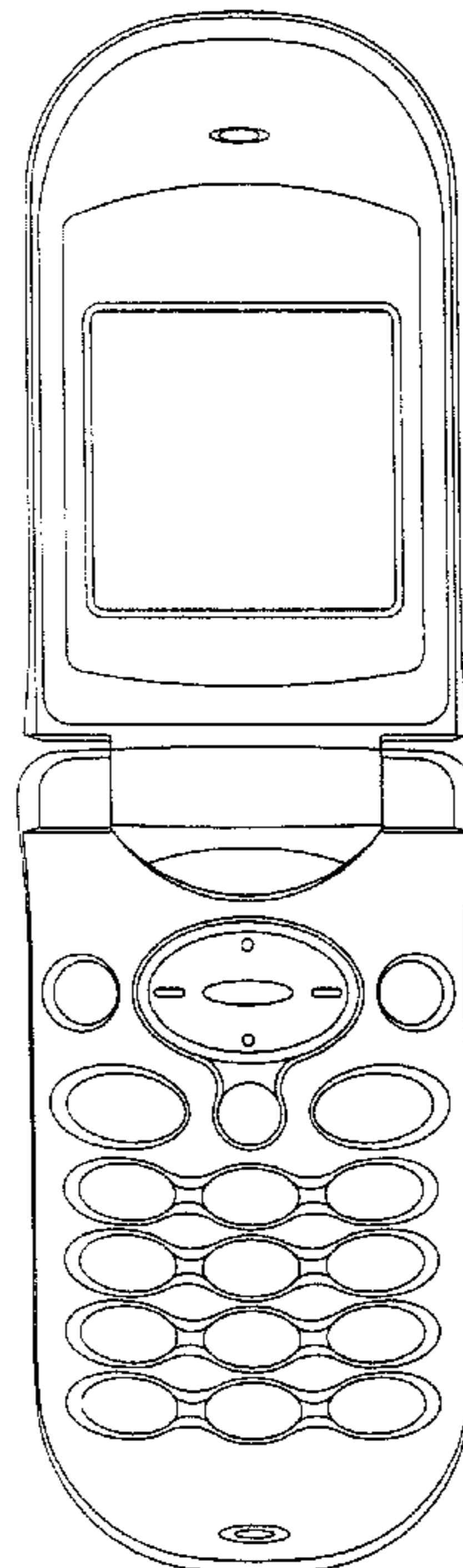
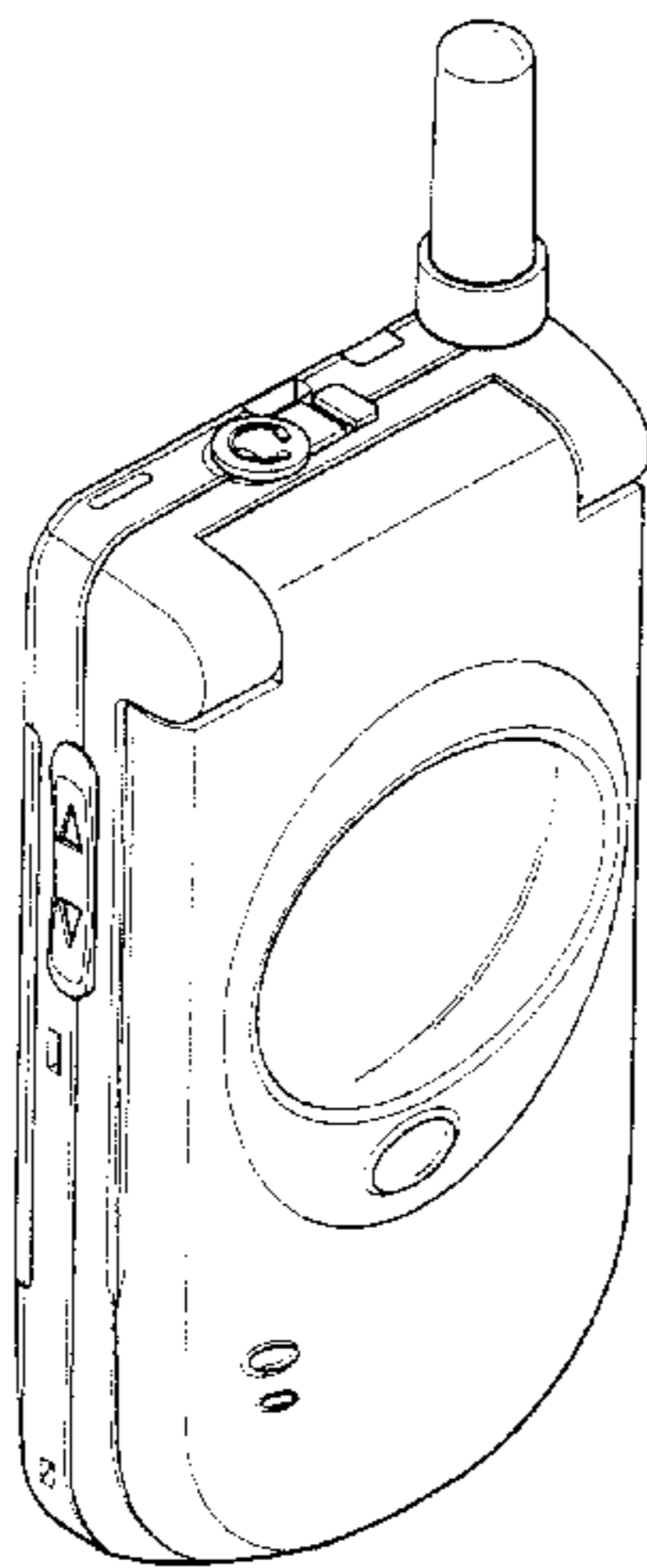
(57) **CLAIM**

The ornamental design for a wireless phone, as shown and described.

**DESCRIPTION**

FIG. 1 is a front perspective view of the wireless phone; FIG. 2 is a front elevation view of the wireless phone; FIG. 3 is a back elevation view of the wireless phone; FIG. 4 is a left side plan view of the wireless phone; FIG. 5 is a right side plan view of the wireless phone; FIG. 6 is a top plan view of the wireless phone; FIG. 7 is a lower plan view of the wireless phone; and, FIG. 8 is a front elevation view of the wireless phone in an unfolded state.

**1 Claim, 5 Drawing Sheets**



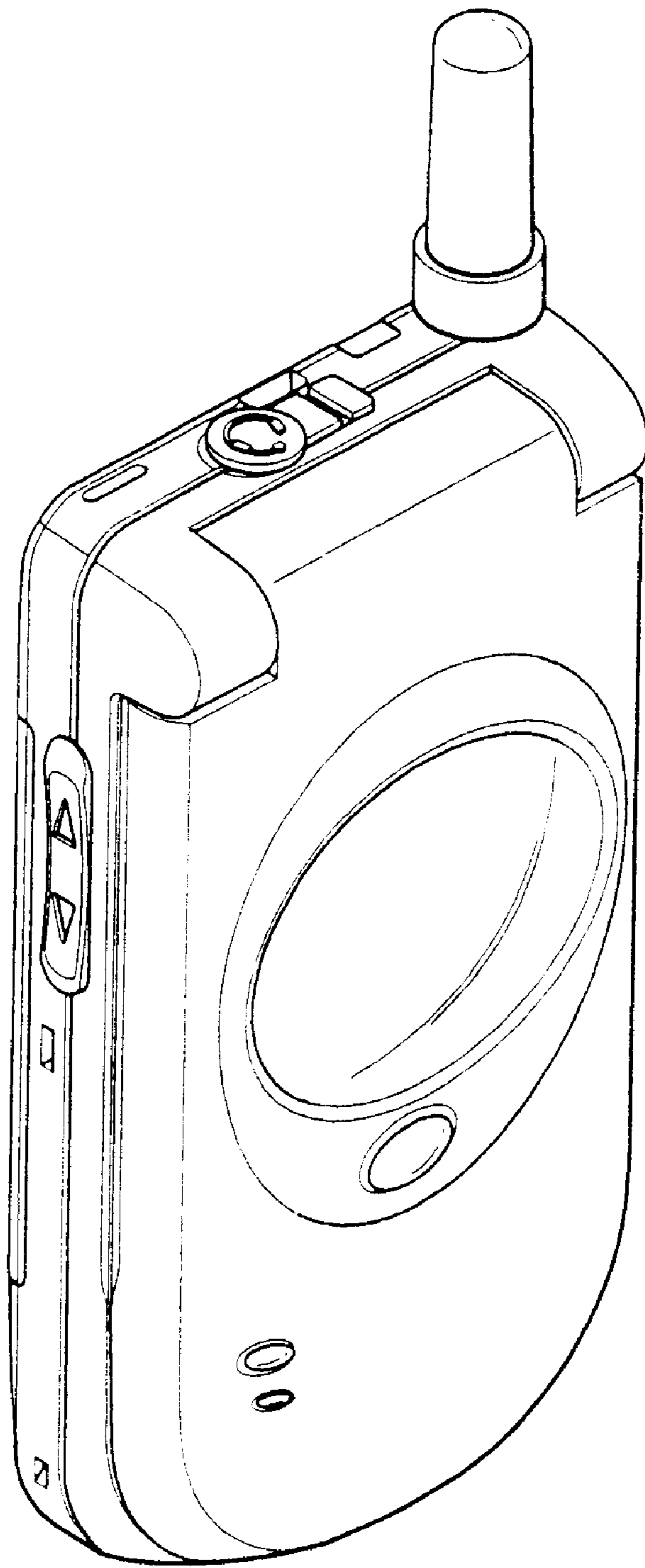


FIG. 1

FIG. 2

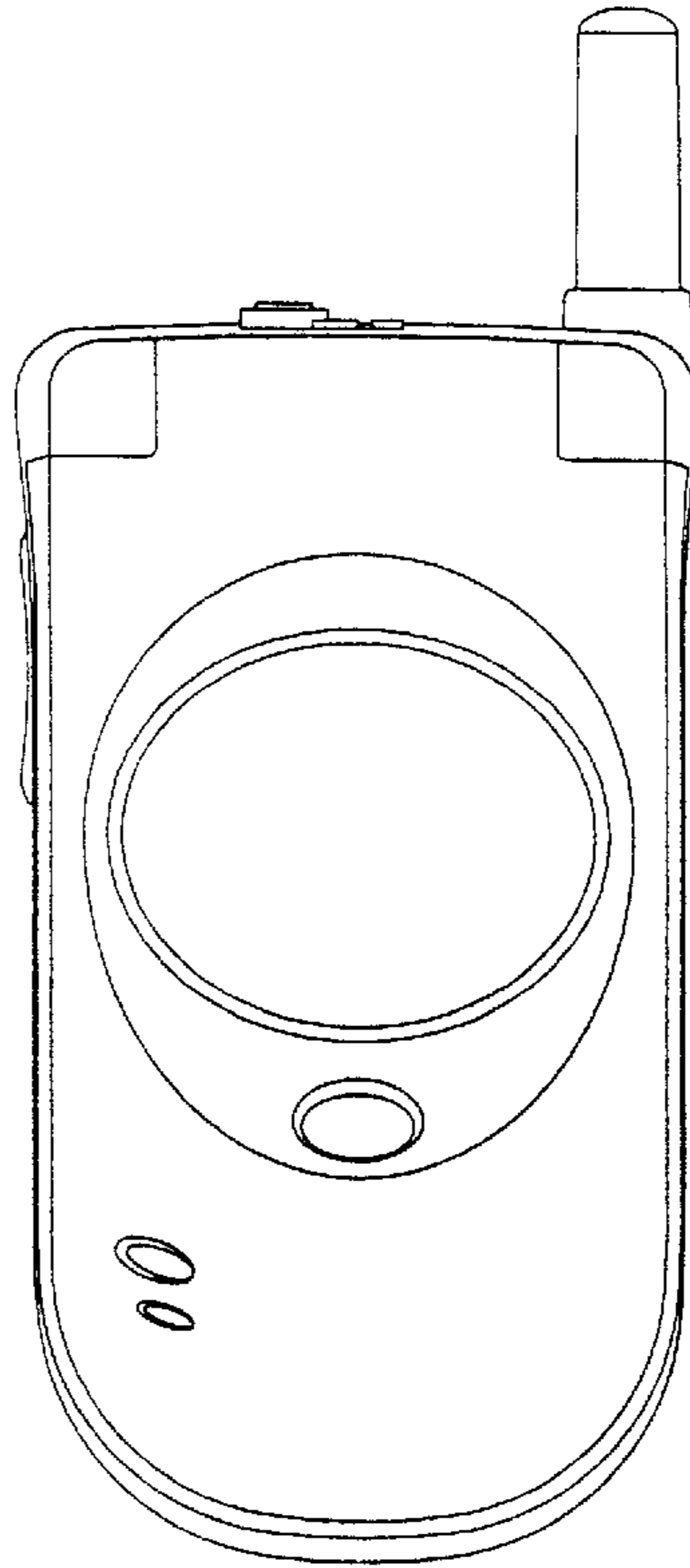


FIG. 3

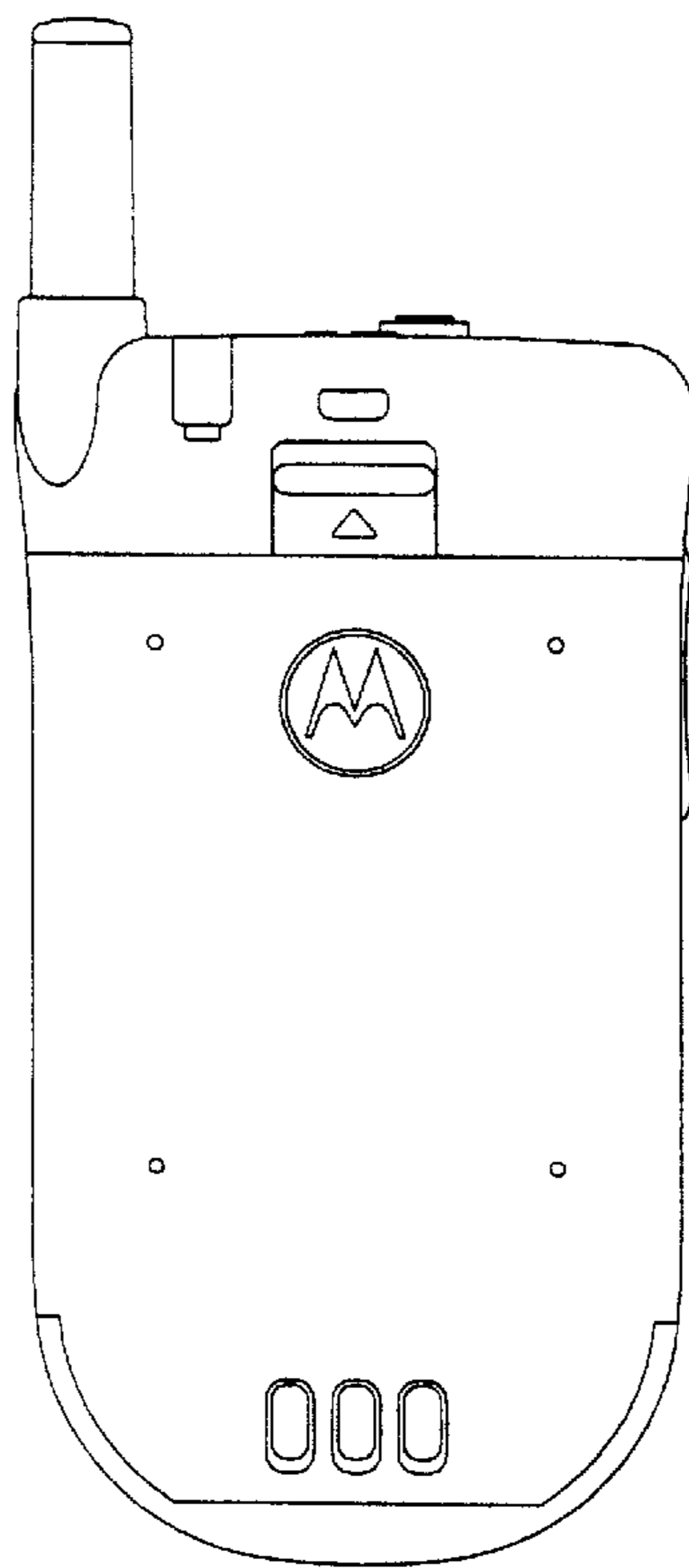


FIG. 4

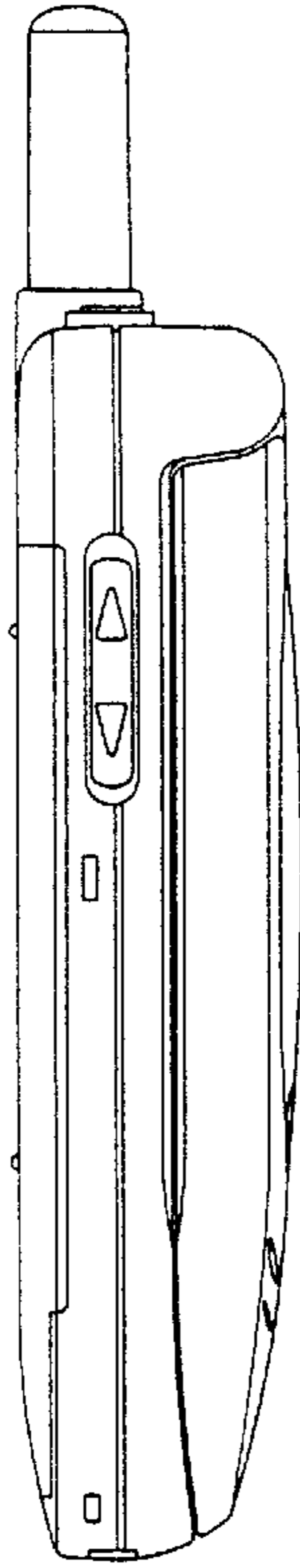


FIG. 5

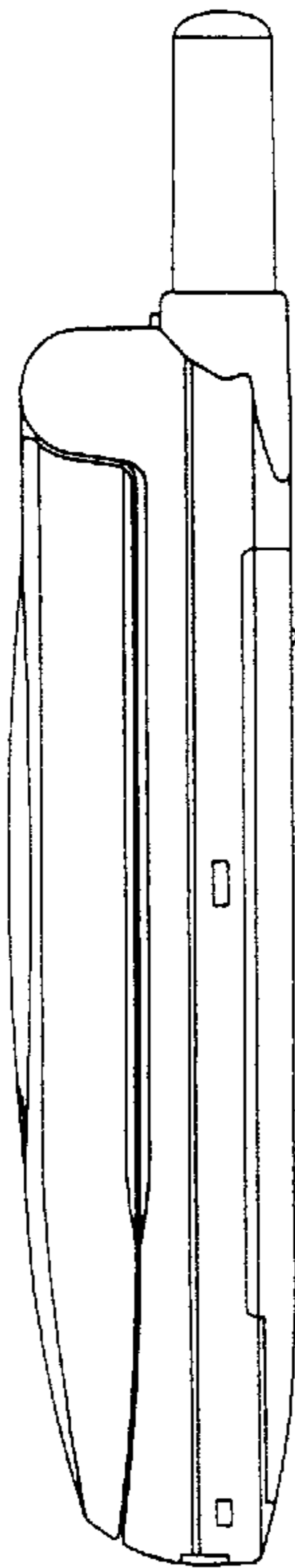


FIG. 6

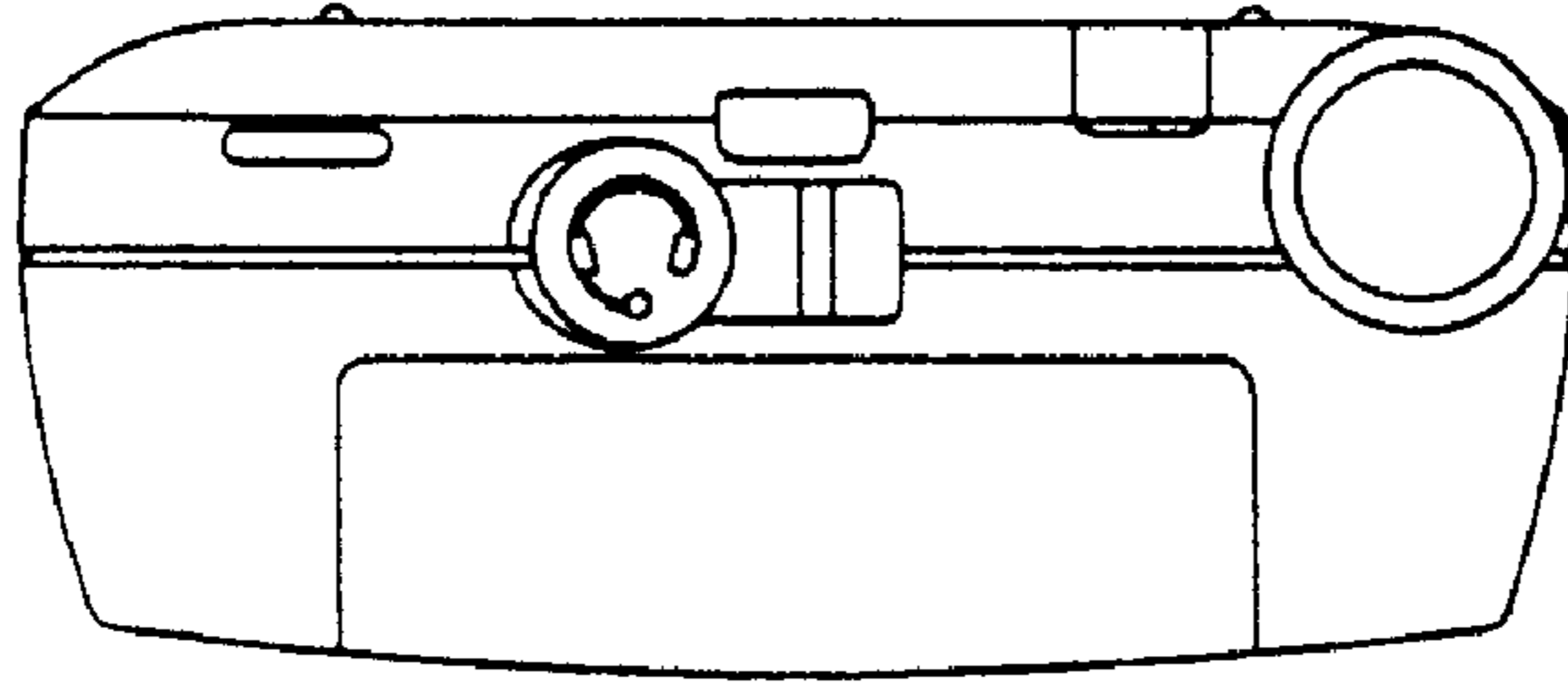


FIG. 7

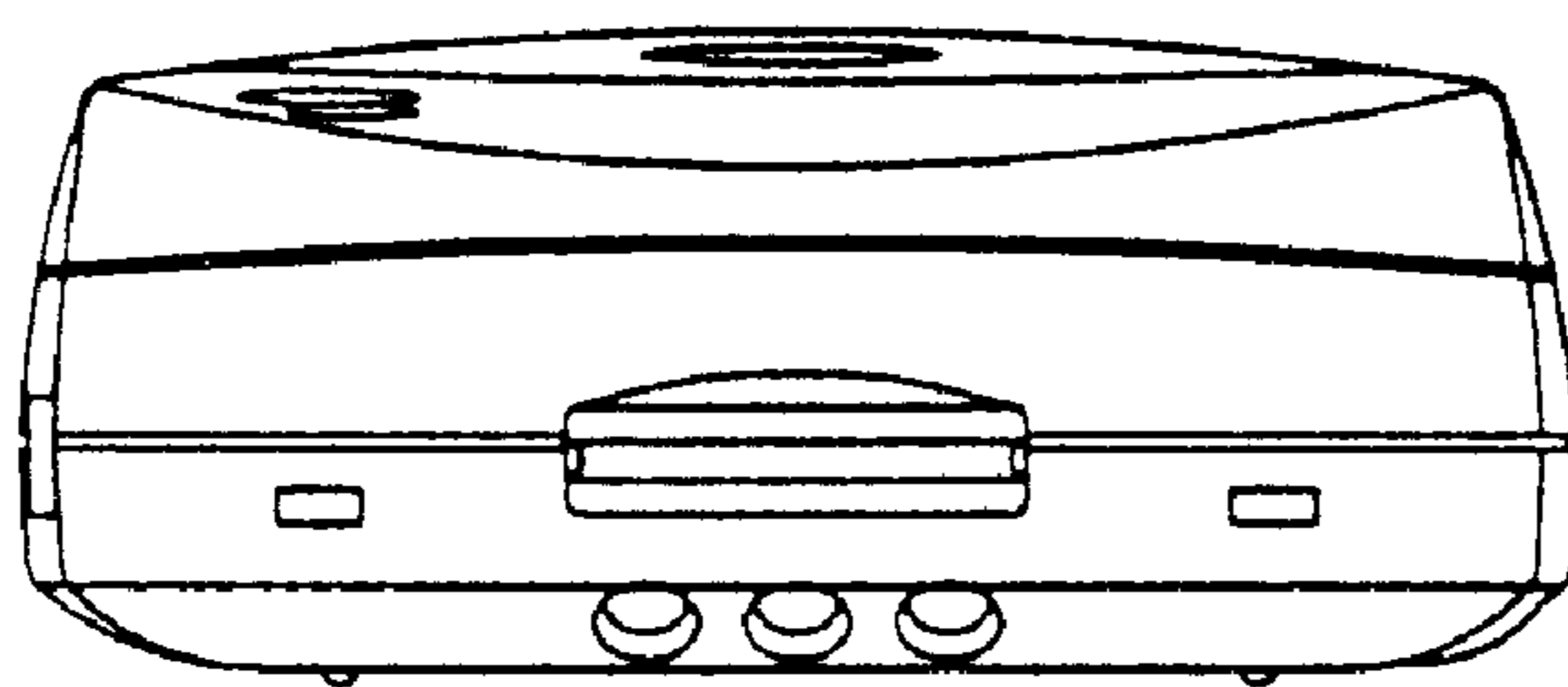


FIG. 8

