



US00D449282B1

(12) **United States Design Patent**
Kramer

(10) **Patent No.:** **US D449,282 S**

(45) **Date of Patent:** **** Oct. 16, 2001**

(54) **UNIVERSAL TOP BLOCK HOLDER FOR AN ELECTRO DISCHARGE MACHINE**

(76) **Inventor:** **Hy Kramer**, 50 Carter Dr., Stamford, CT (US) 06902

(**) **Term:** **14 Years**

(21) **Appl. No.:** **29/122,206**

(22) **Filed:** **Apr. 24, 2000**

(51) **LOC (7) Cl.** **13-03**

(52) **U.S. Cl.** **D13/199; D15/138**

(58) **Field of Search** **D13/184, 199; 279/406, 133, 4.04; 411/535; 219/69.15; D15/122, 138**

(56) **References Cited**

U.S. PATENT DOCUMENTS

4,855,558	*	8/1989	Ramsbro	219/69.15
5,634,757	*	6/1997	Schanz	411/535
5,906,378	*	5/1999	Nordquist	279/4.06

* cited by examiner

Primary Examiner—Brian N. Vinson

(57) **CLAIM**

I claim the ornamental design for a universal top block holder for an electro discharge machine, as shown and described.

DESCRIPTION

This is a universal top block holder used in the electro discharge (EDM) field, for the purpose of attaching different type parts that need to be machined. The top of the claimed block holder has multiple facilities for orientation in the x-y direction, used in the electro discharge field. The underside of the claimed block holder is for the fastening of any existing substrate, used in the electro discharge field.

FIG. 1 is a top plan view of a universal top block holder for an electro discharge machine showing my new design;

FIG. 2 is a top perspective view thereof;

FIG. 3 is a side elevational view thereof, the sides opposite and adjacent being identical in appearance;

FIG. 4 is a top plan view of a second embodiment of a universal top block holder for an electro discharge machine showing my new design;

FIG. 5 is a top perspective view thereof;

FIG. 6 is a side elevational view thereof, the sides opposite and adjacent being identical in appearance;

FIG. 7 is a bottom plan view thereof;

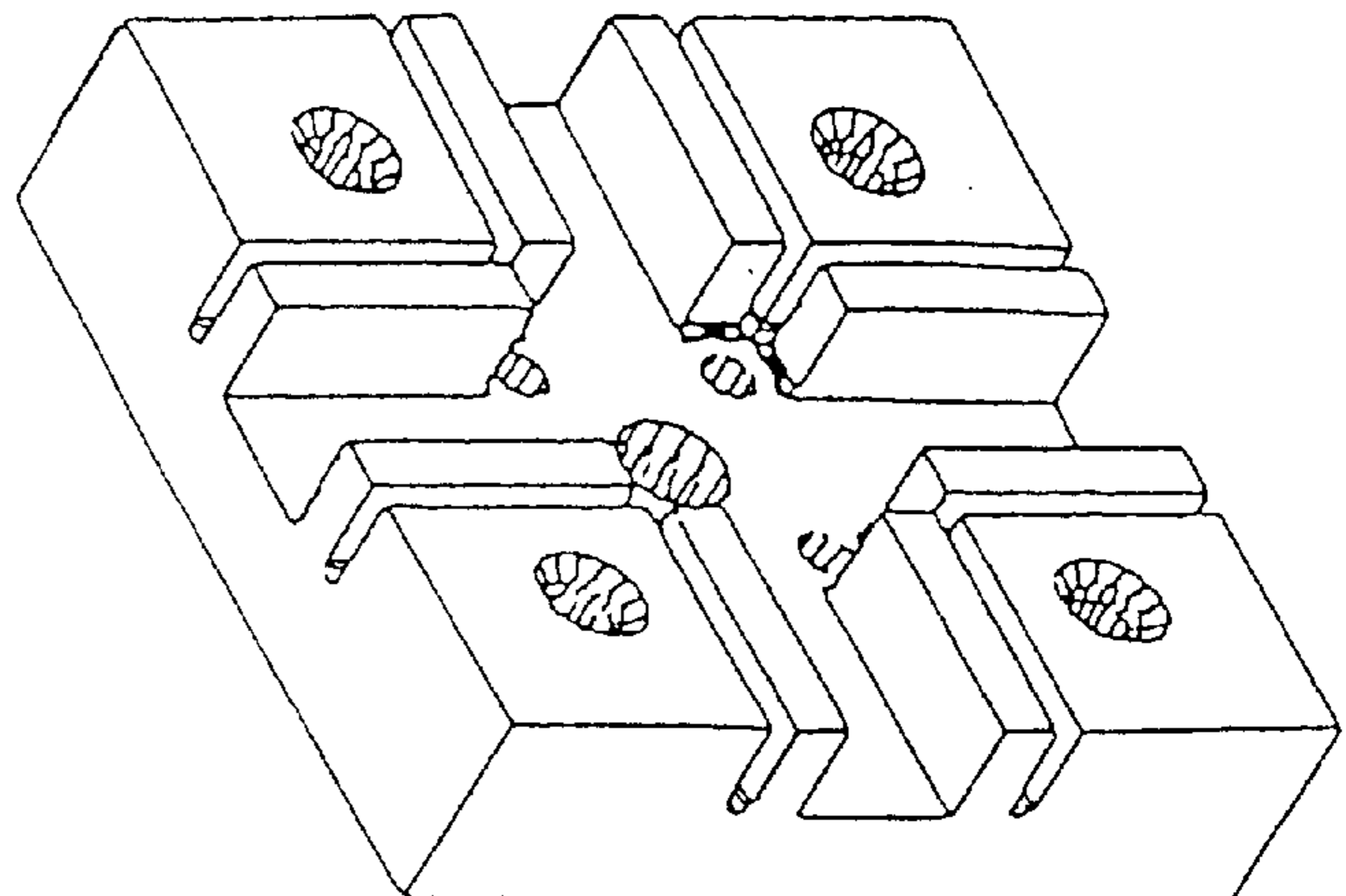
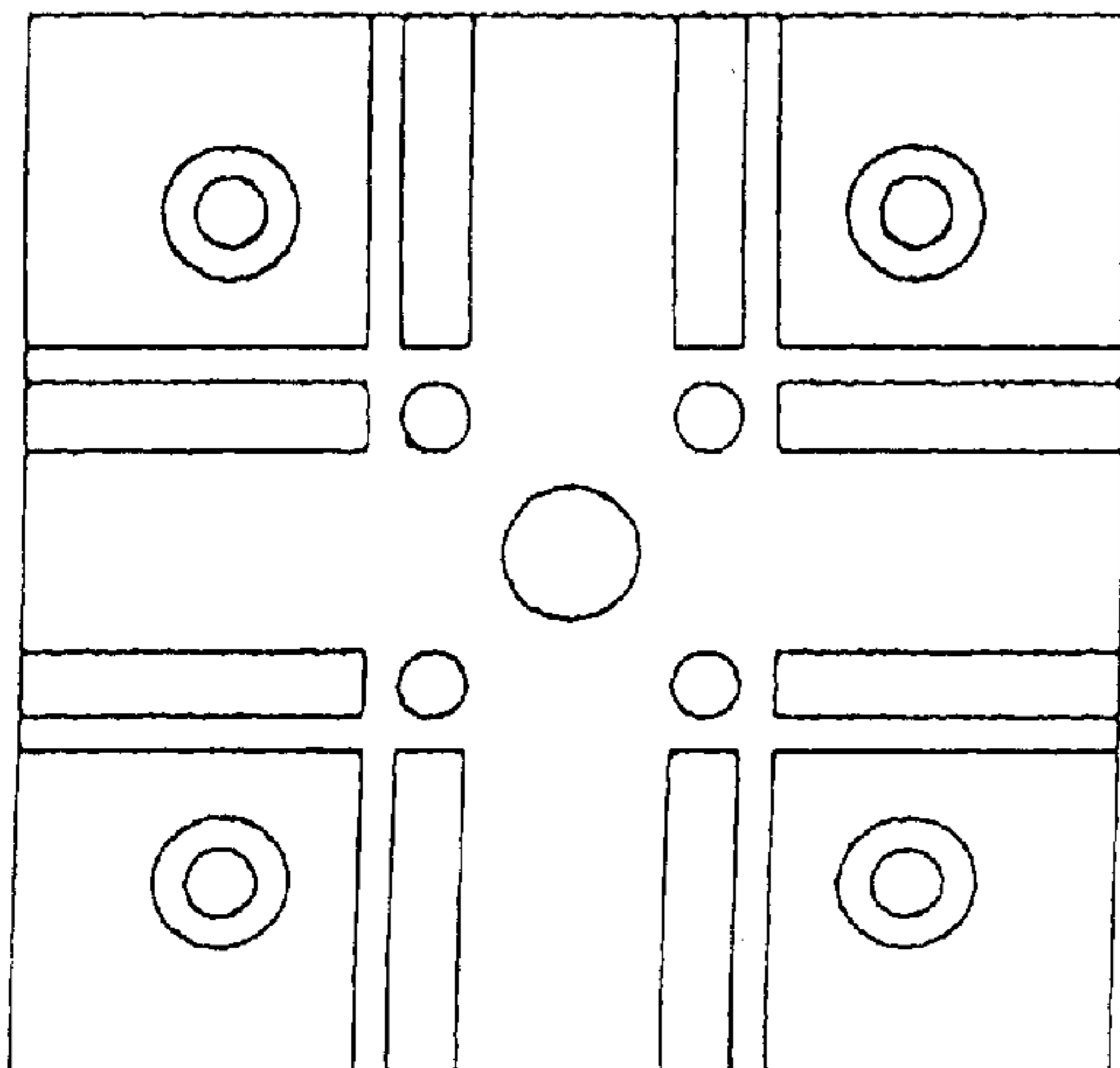
FIG. 8 is a top plan view of a third embodiment of a universal top block holder for an electro discharge machine showing my new design;

FIG. 9 is a top perspective view thereof;

FIG. 10 is a side elevational view thereof, the sides opposite and adjacent being identical in appearance; and,

FIG. 11 is a bottom plan view thereof.

1 Claim, 3 Drawing Sheets



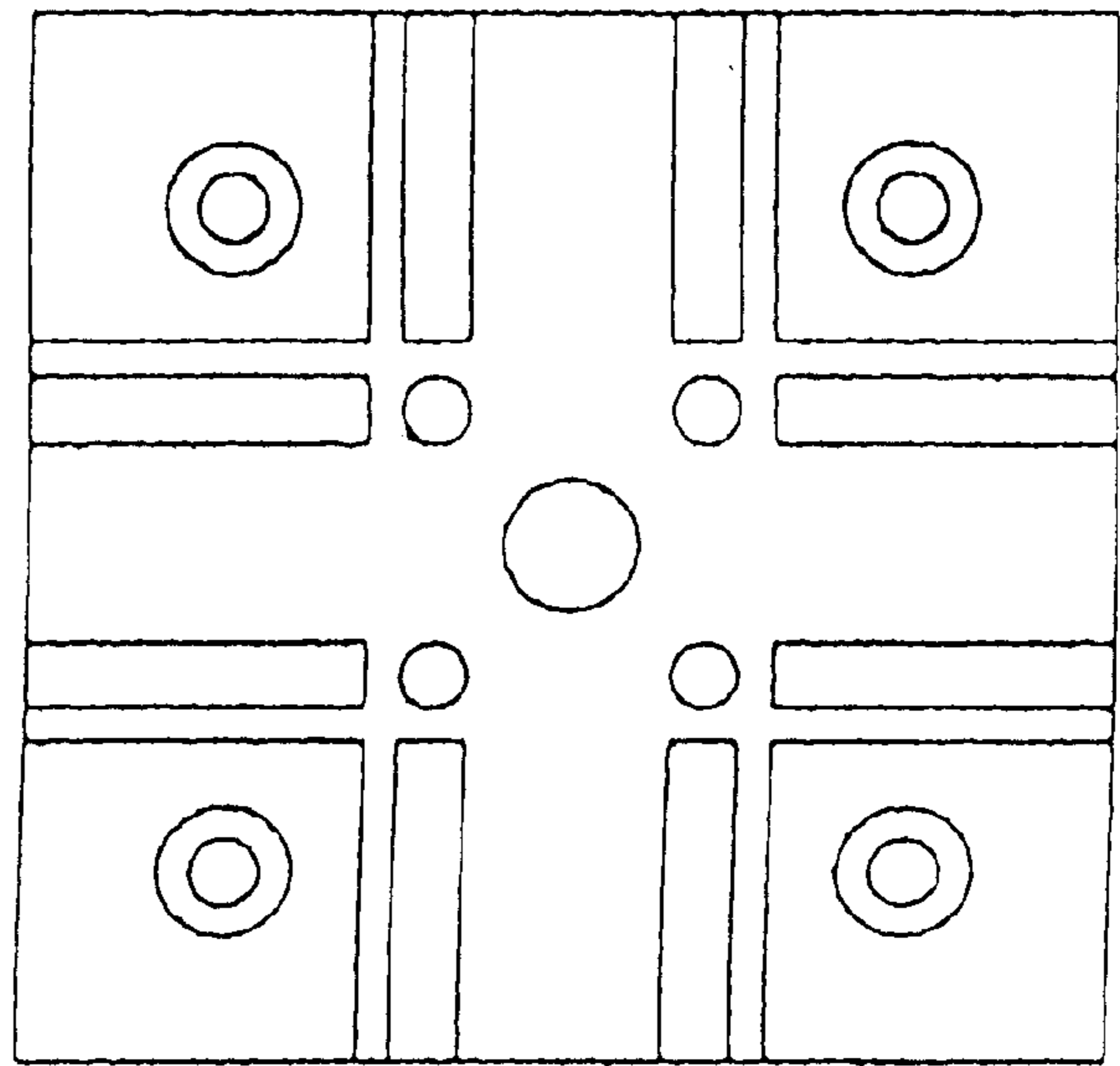


Fig. 1

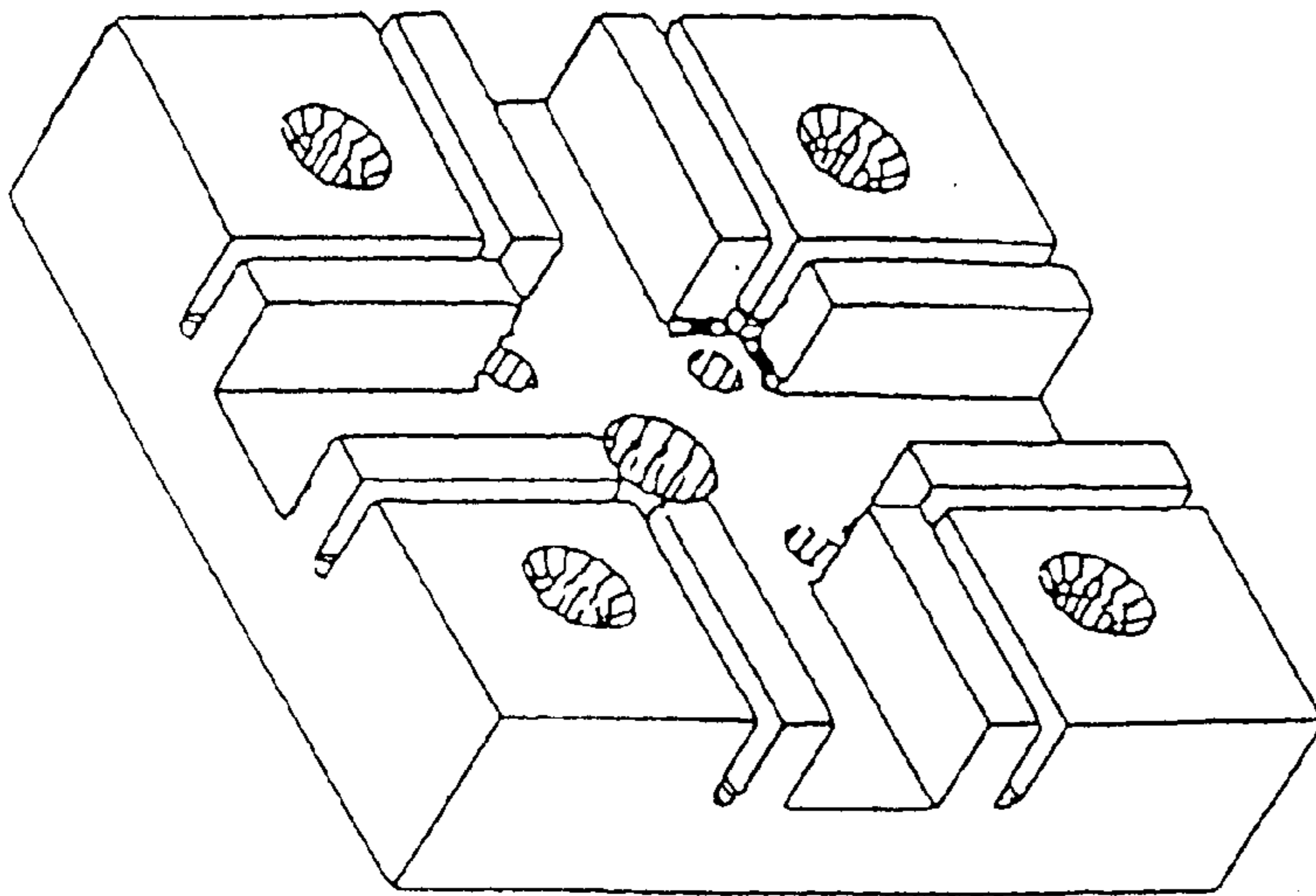


Fig. 2

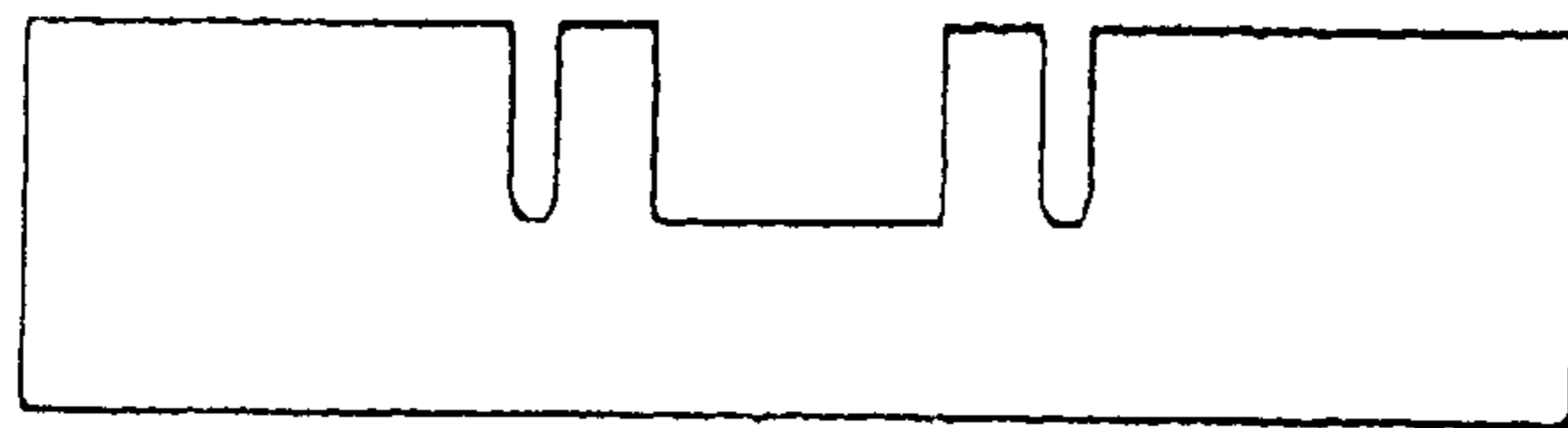


Fig. 3

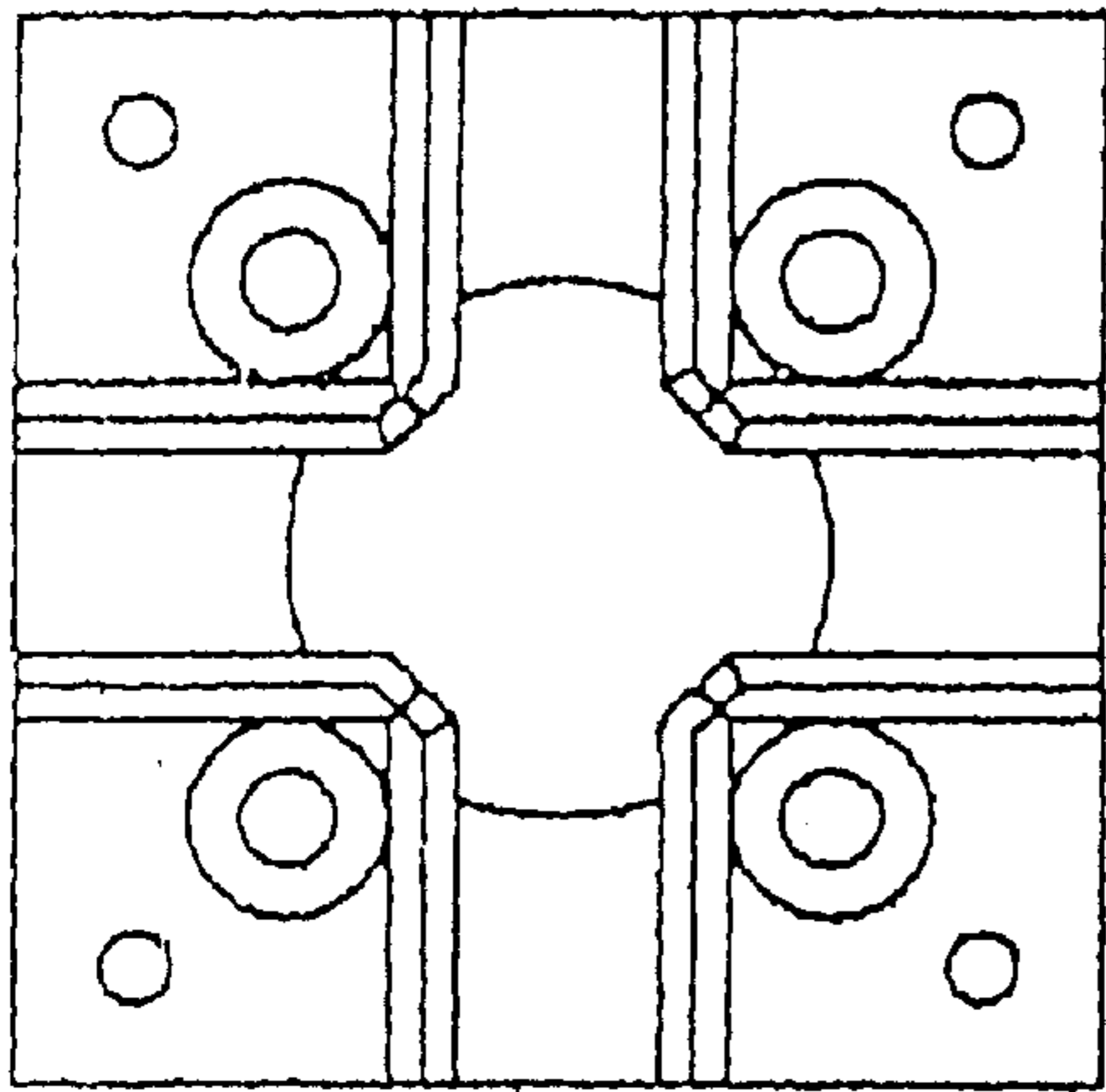


Fig. 4

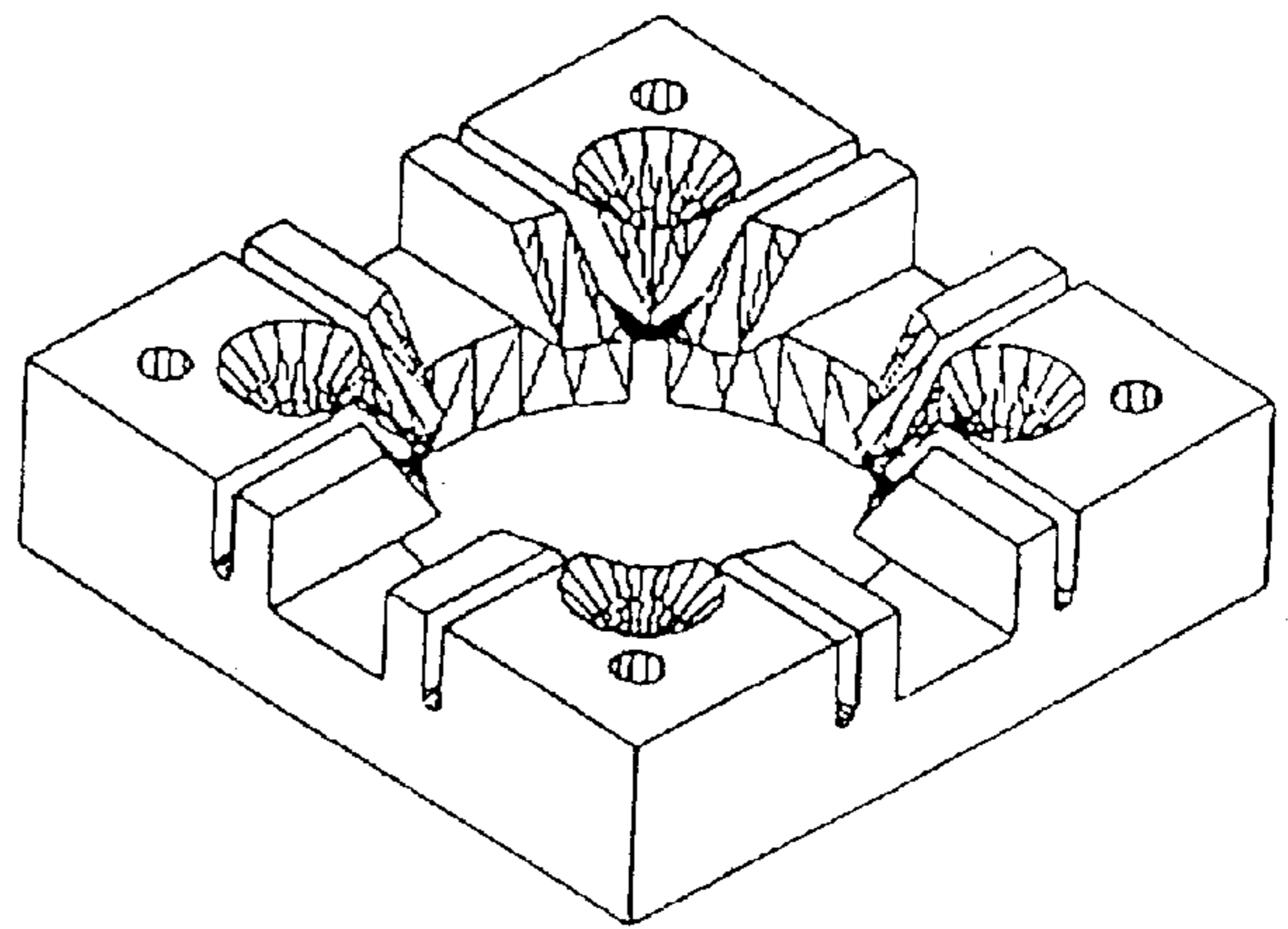


Fig. 5

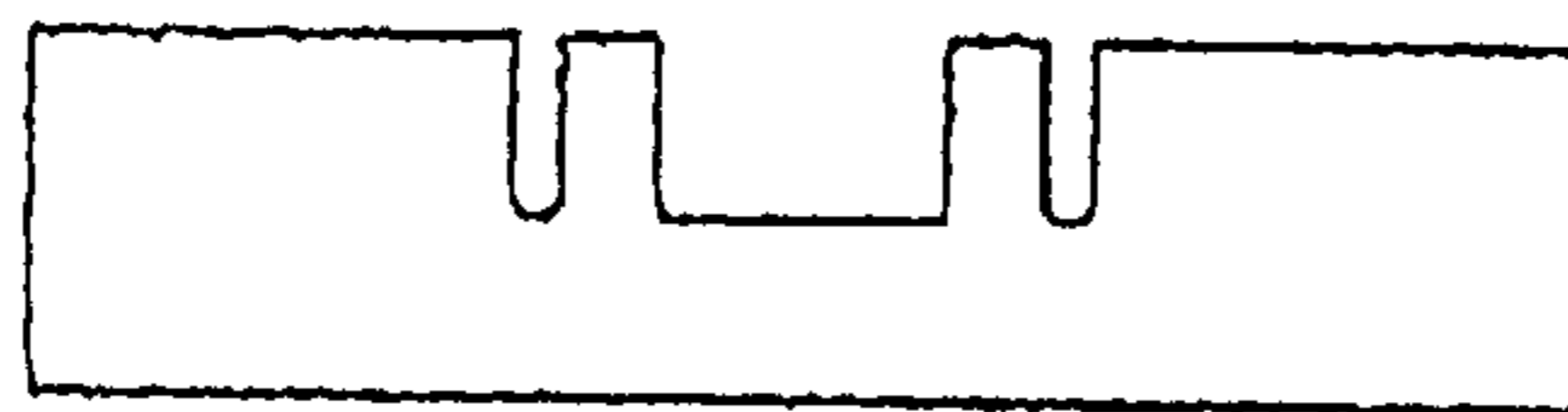


Fig. 6

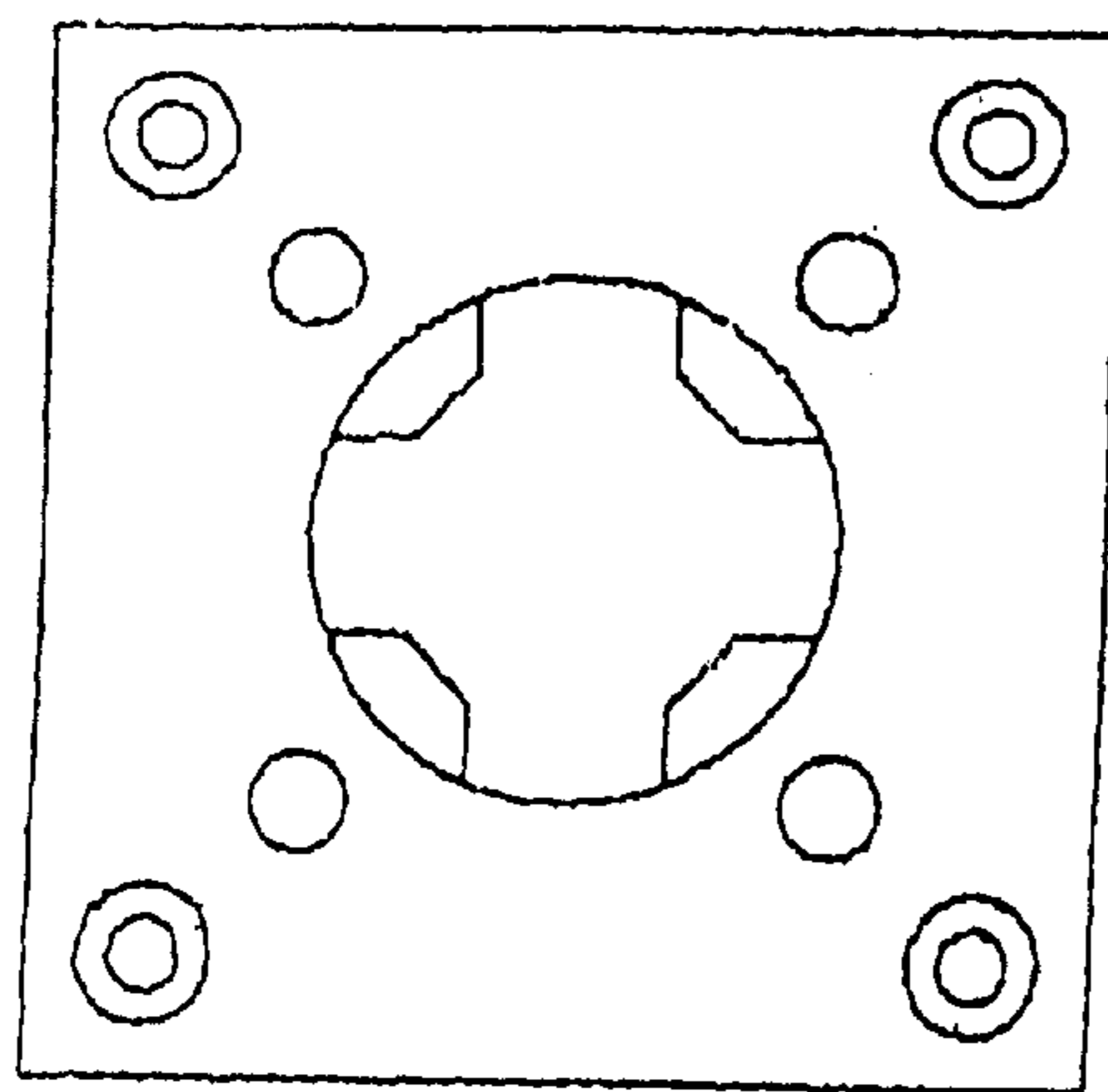


Fig. 7

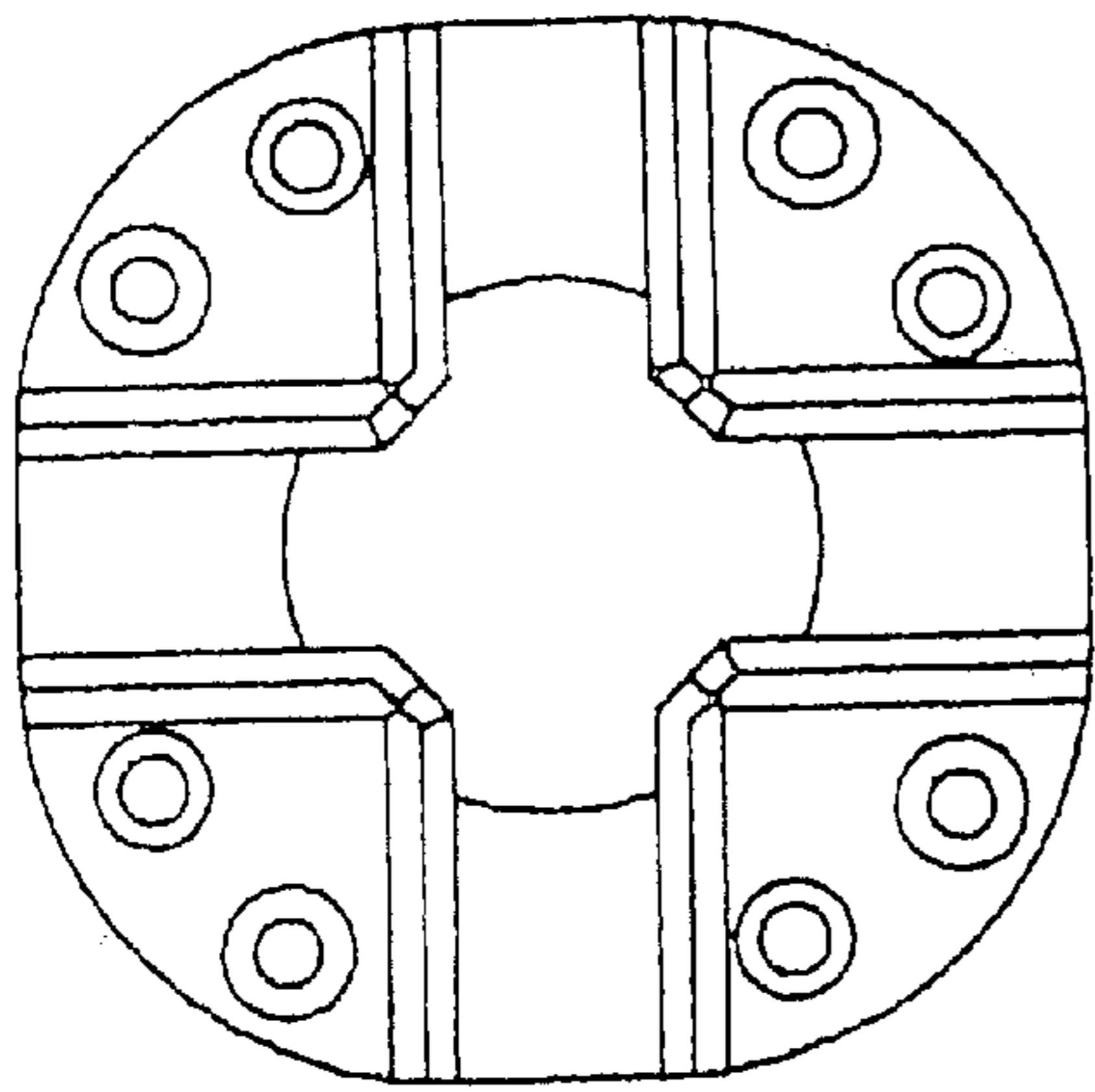


Fig. 8

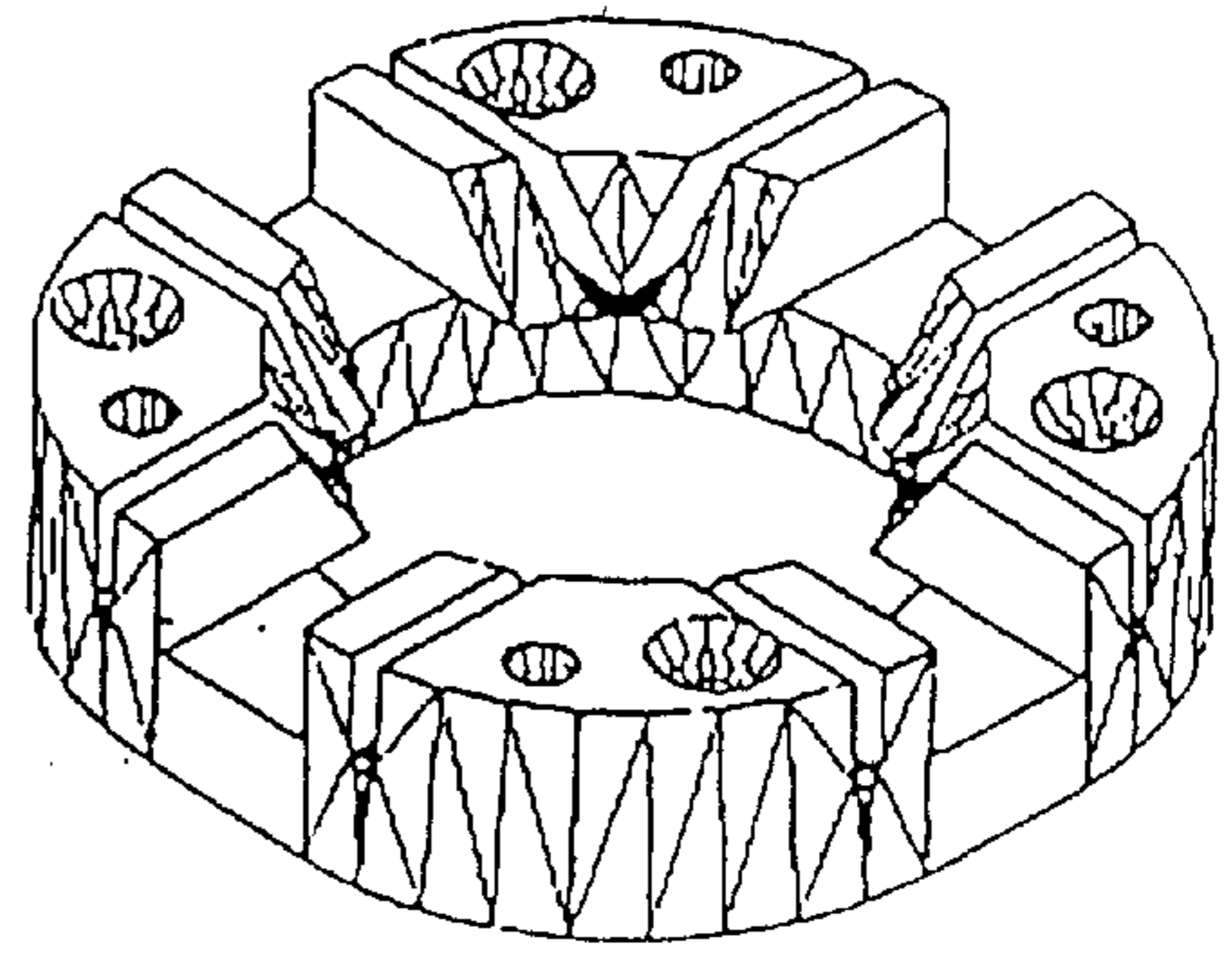


Fig. 9

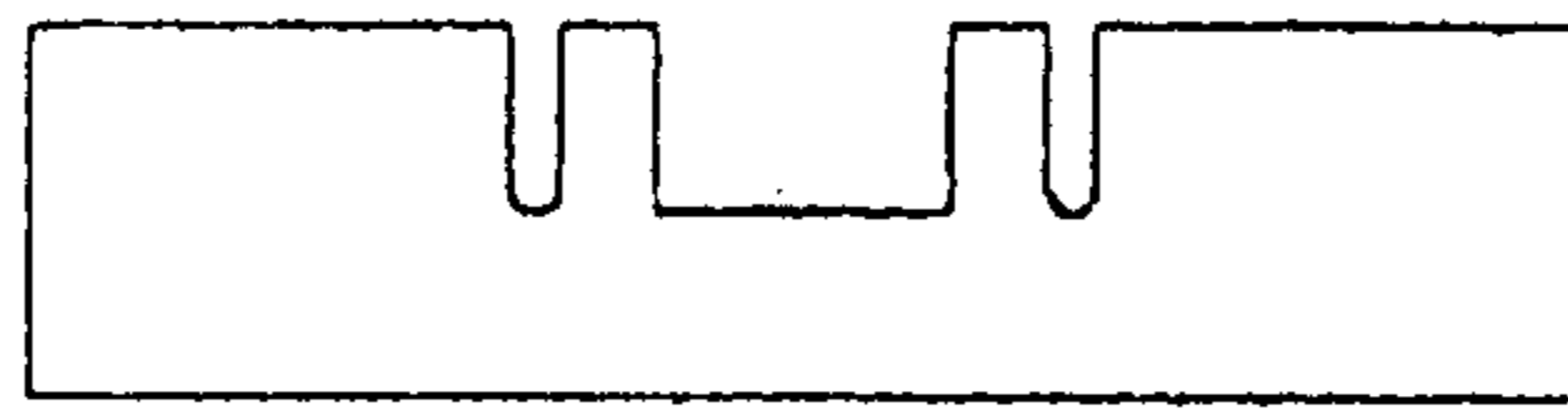


Fig. 10

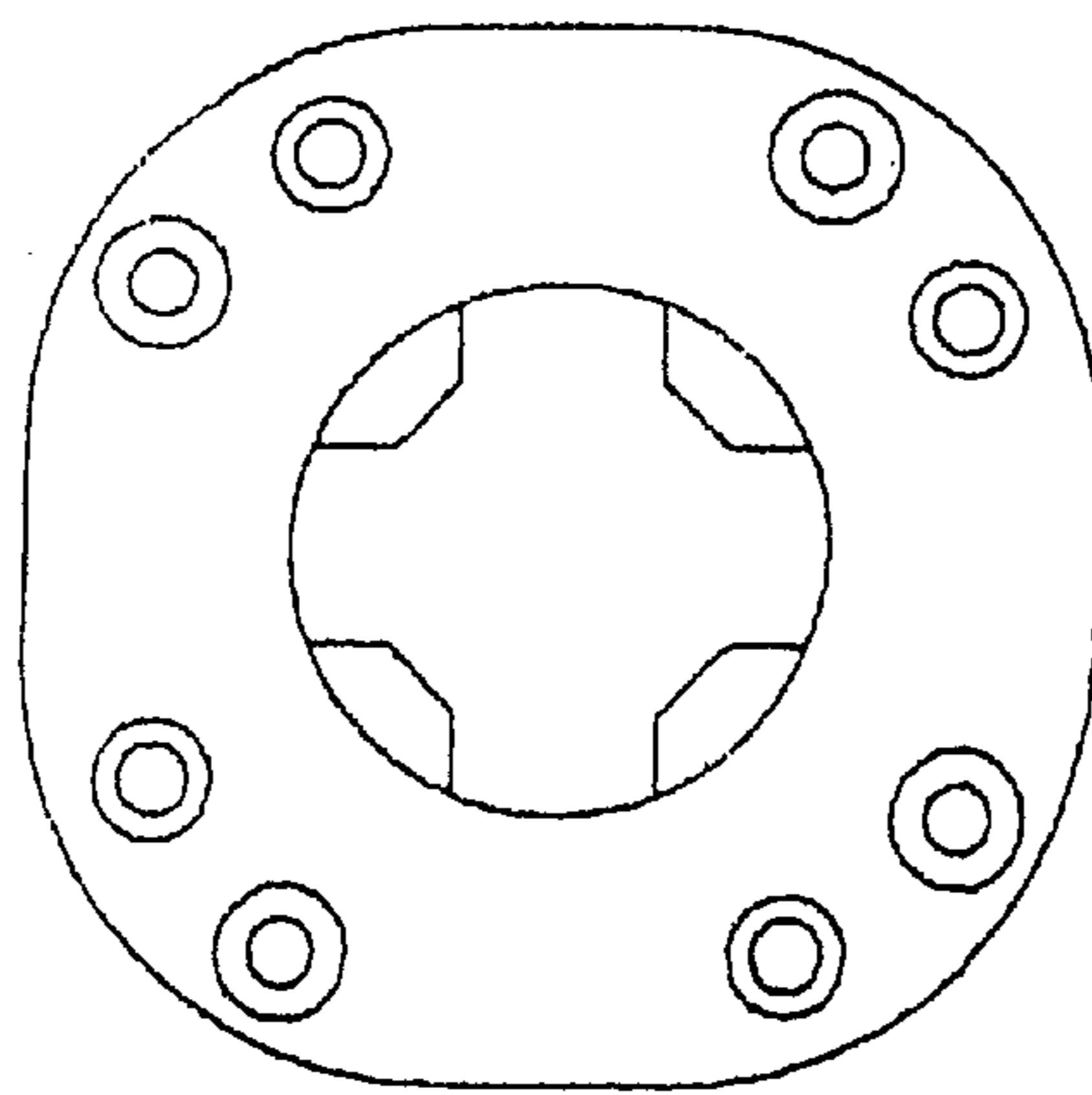


Fig. 11