



US00D449280B1

(12) **United States Design Patent**
Piacenza et al.

(10) **Patent No.:** **US D449,280 S**

(45) **Date of Patent:** **** Oct. 16, 2001**

(54) **WATER SOFTENER CONTROL UNIT**

(75) Inventors: **Peter Piacenza**, deceased, late of Highland Park, by Jean M. Rivi, legal representative; **Daniel Phipps**, Roundlake; **Stephen Gaynes**, Wonderlake; **D. Amy Cotton**, Schaumburg, all of IL (US)

(73) Assignee: **Aquion Partners Limited Partnership**, Elk Grove Village, IL (US)

(**) Term: **14 Years**

(21) Appl. No.: **29/117,813**

(22) Filed: **Jan. 31, 2000**

(51) **LOC (7) Cl.** **13-03**

(52) **U.S. Cl.** **D13/162**

(58) **Field of Search** D13/158, 162,
D13/164, 173, 184; 200/1 R, 5 R, 5 A;
307/112; 337/97, 186, 414; 361/600

(56) **References Cited**

U.S. PATENT DOCUMENTS

- D. 344,684 * 3/1994 Metz et al. D13/164 X
- D. 348,674 * 7/1994 Lindeman et al. D13/164 X

- D. 367,430 * 2/1996 Greenberg et al. D13/162 X
- D. 417,439 * 12/1999 Roponen et al. D13/184
- D. 427,155 * 6/2000 Powley et al. D13/162
- D. 429,702 * 8/2000 Maruta et al. D13/162
- 5,160,832 * 11/1992 Hubert et al. D13/164 X

* cited by examiner

Primary Examiner—Brian N. Vinson

(74) *Attorney, Agent, or Firm*—Mayer, Brown & Platt

(57) **CLAIM**

The ornamental design for a water softener control unit, as shown and described.

DESCRIPTION

FIG. 1. is a front perspective view of a water softener control unit showing our new design.

FIG. 2 is a front elevational view thereof;

FIG. 3 is a left side elevational view thereof;

FIG. 4 is a right side elevational view thereof;

FIG. 5 is a top plan view thereof;

FIG. 6 is a bottom plan view thereof; and,

FIG. 7 is a front perspective view of the water softener control unit, showing an alternate position thereof.

The rear of the water softener control unit is unornamented.

1 Claim, 3 Drawing Sheets

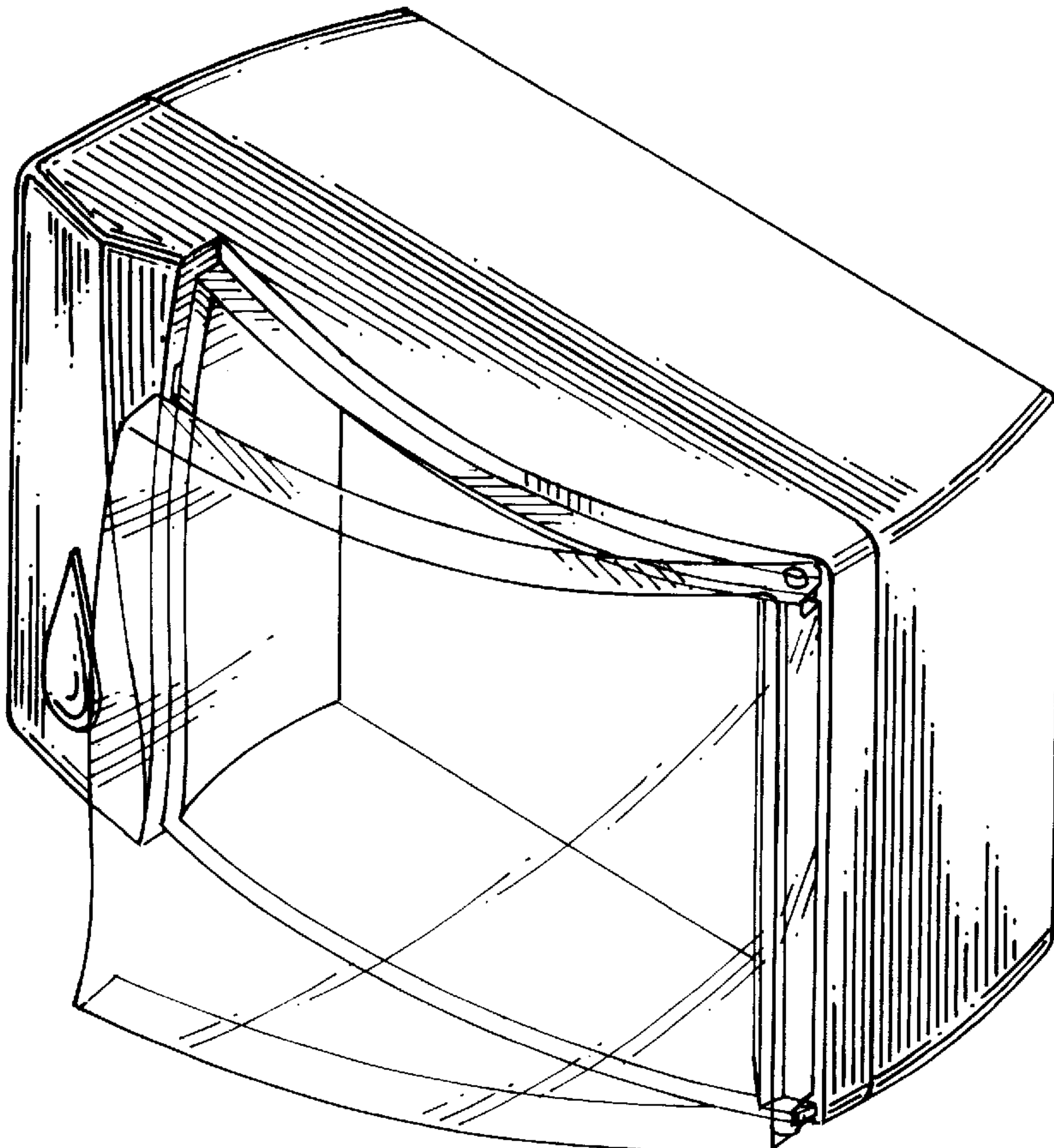


FIG. 1

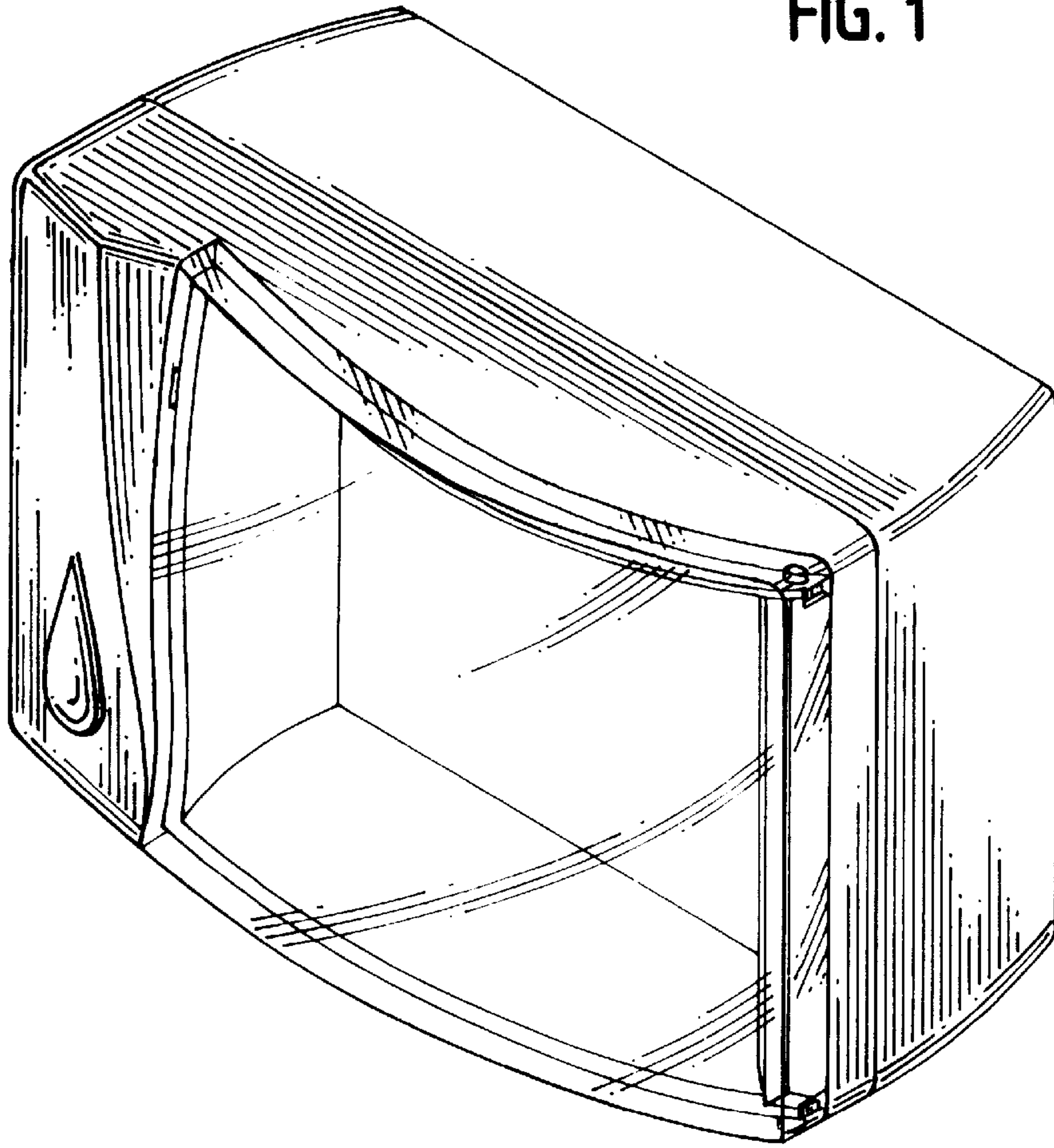


FIG. 2

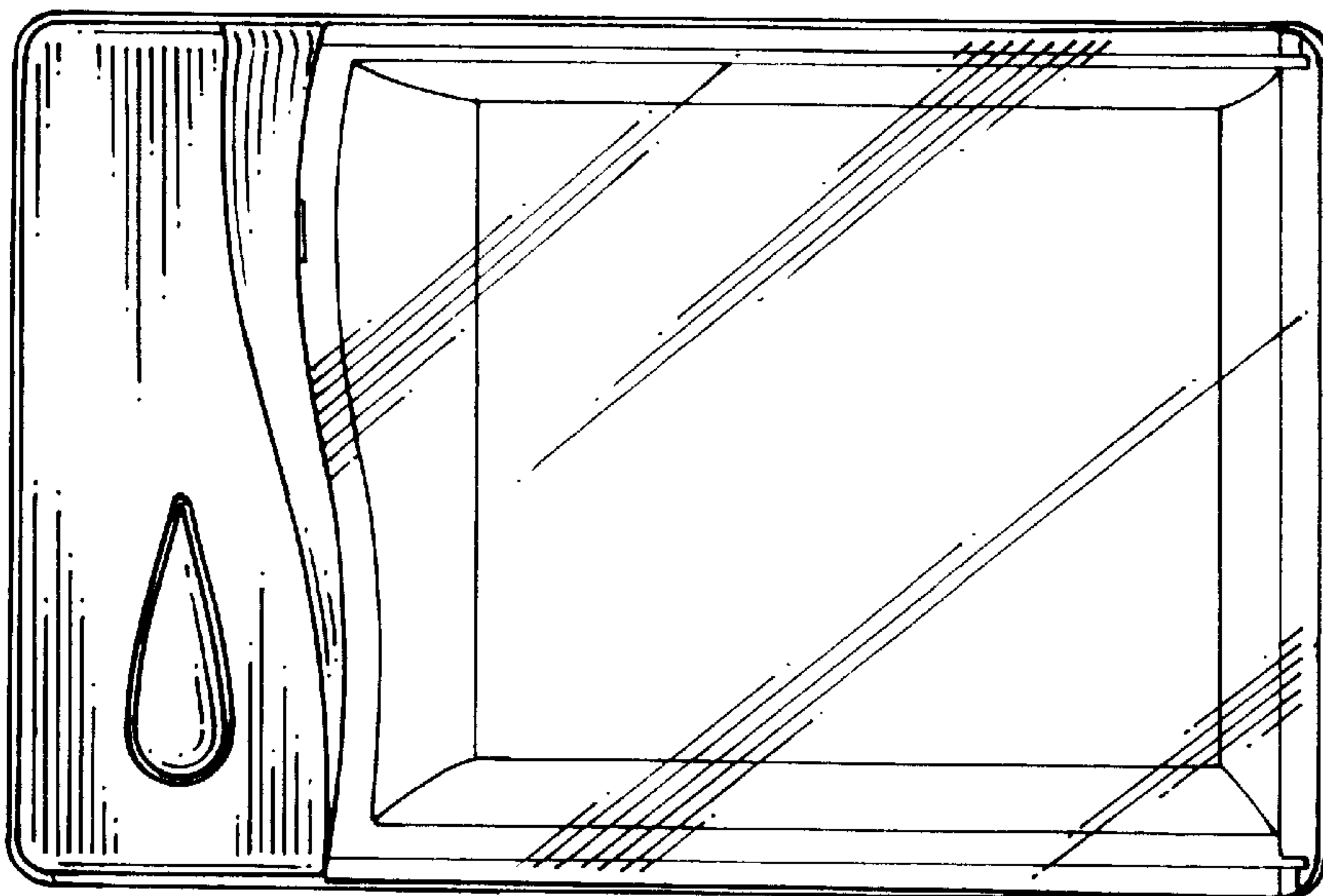


FIG. 3

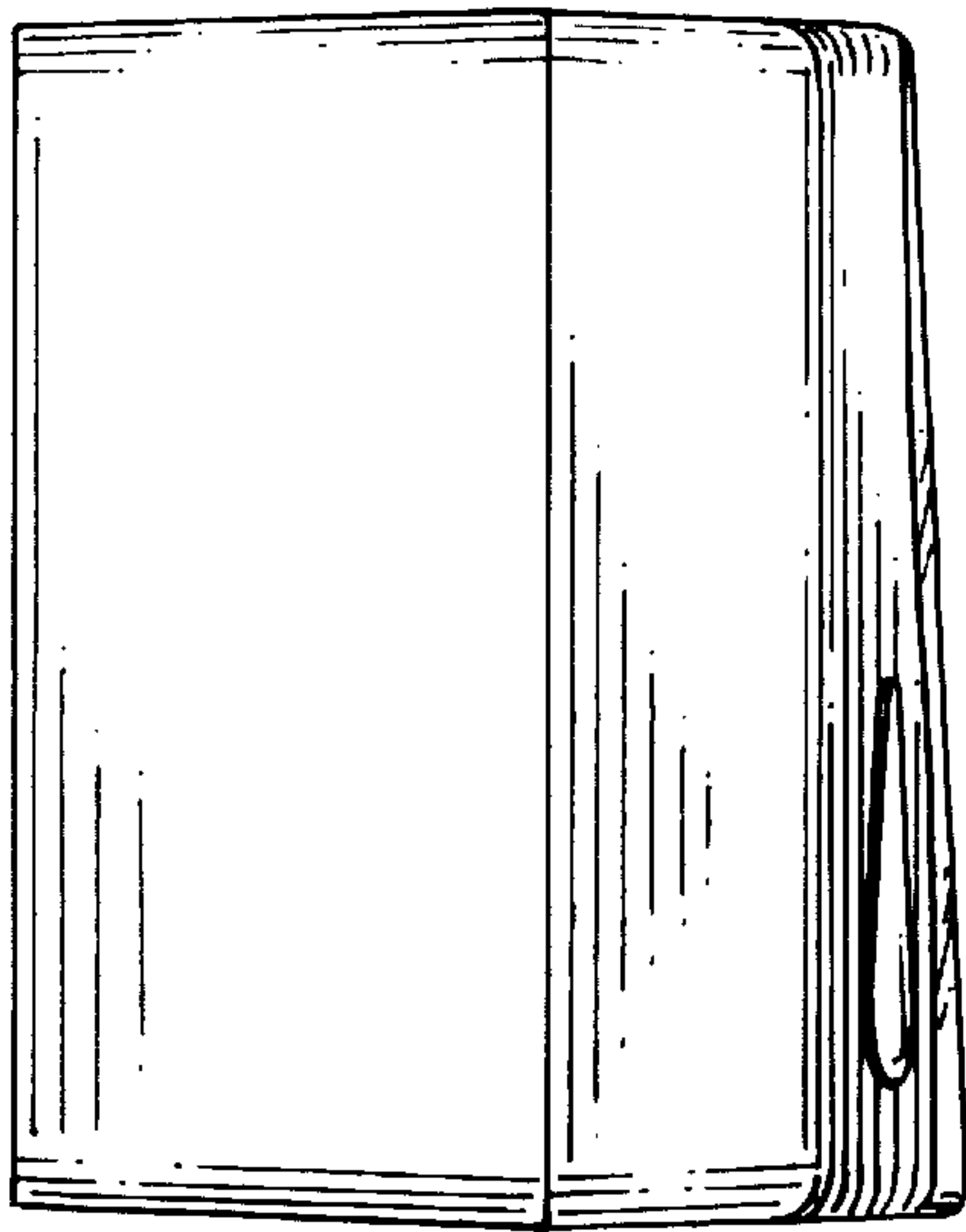


FIG. 4

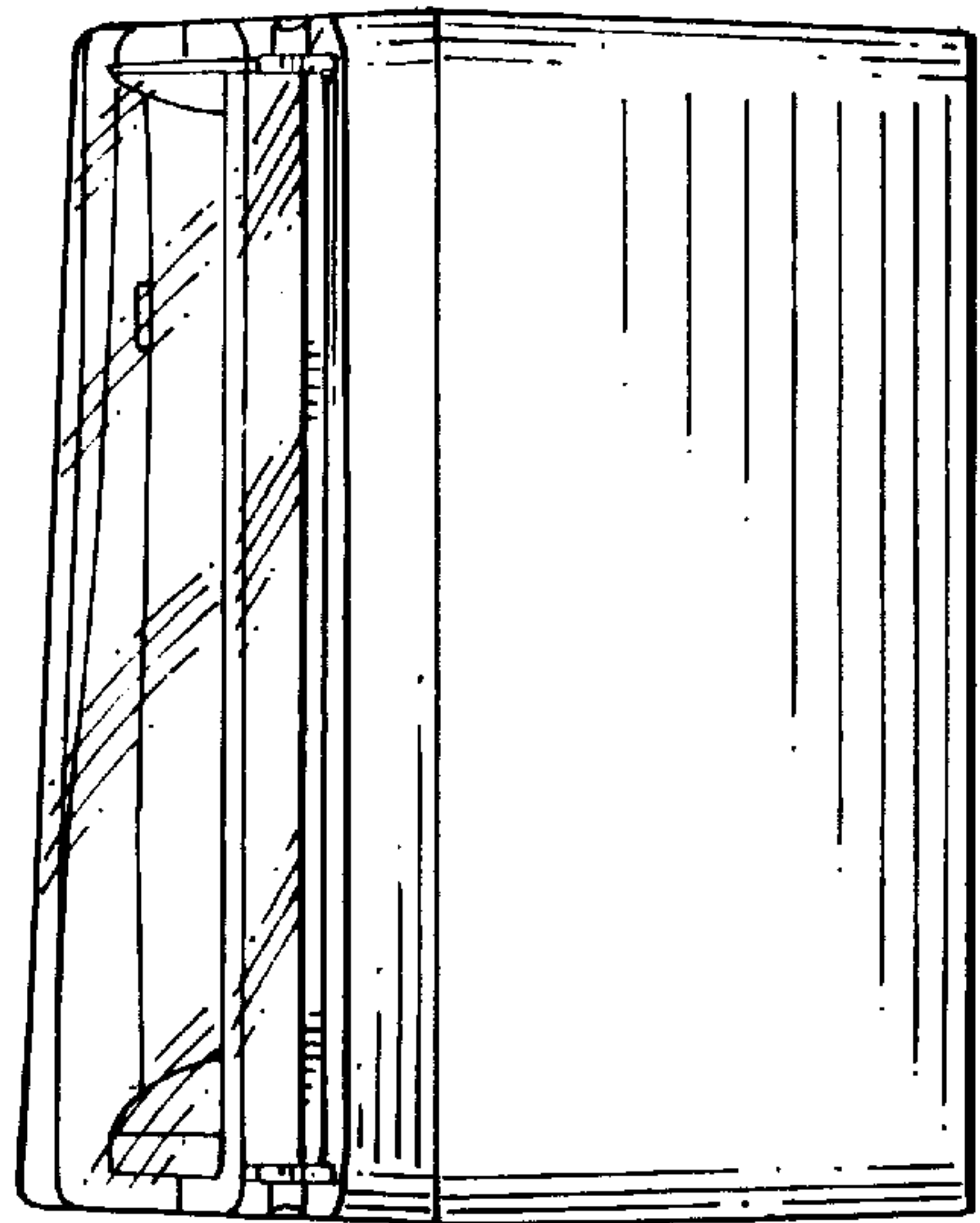


FIG. 5

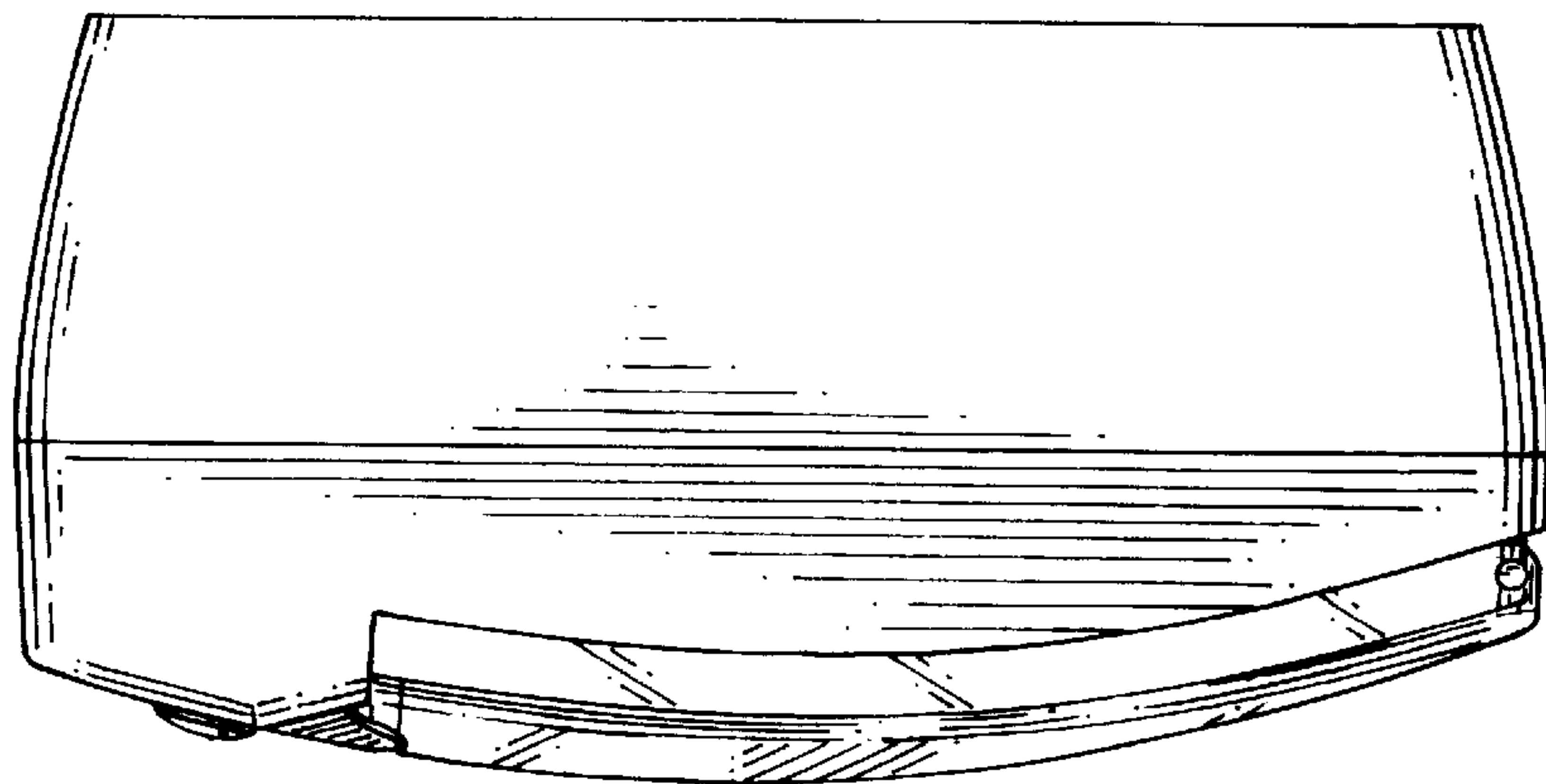


FIG. 6

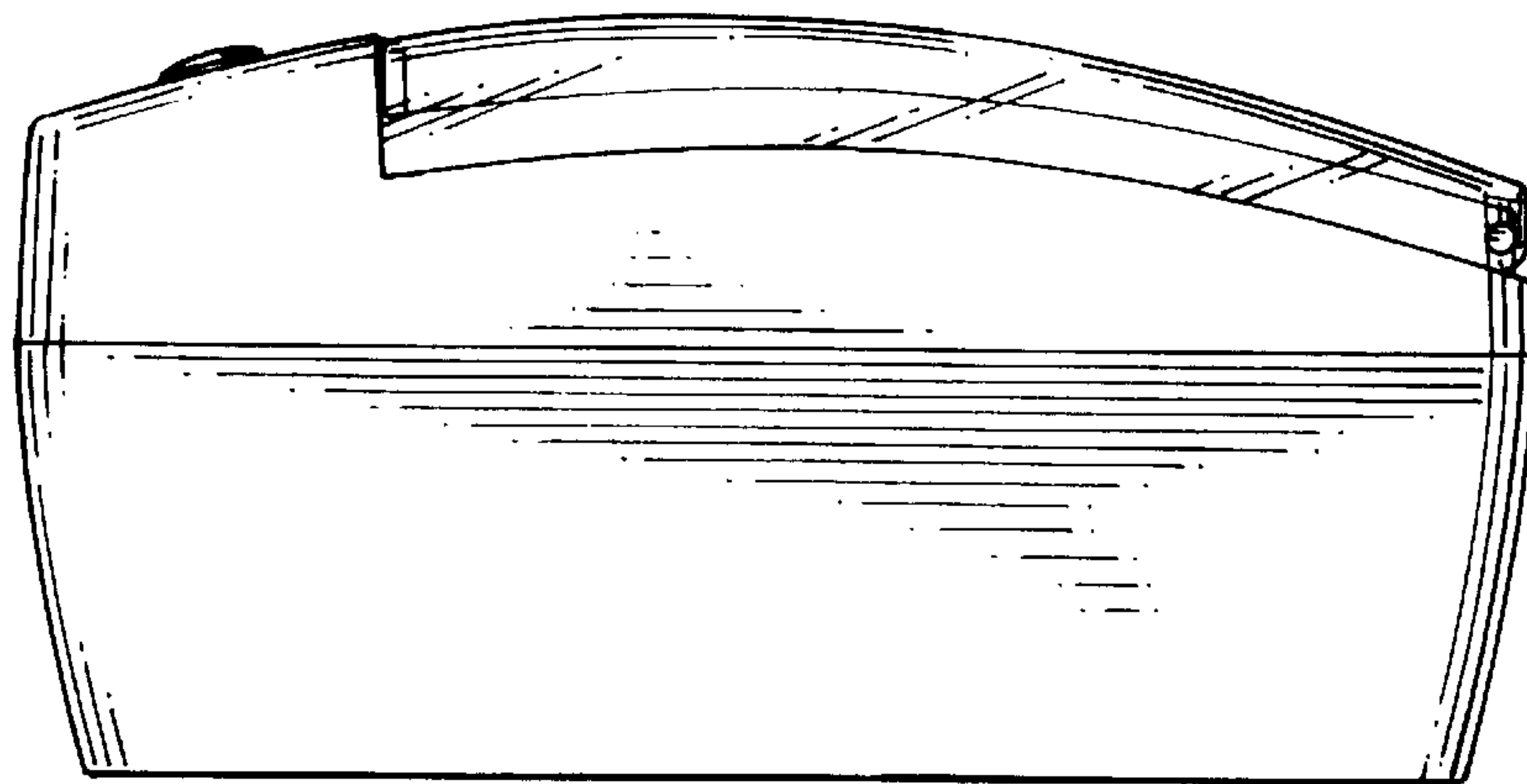


FIG. 7

