



US00D449277B1

(12) **United States Design Patent**
Hwang

(10) **Patent No.:** **US D449,277 S**

(45) **Date of Patent:** **** Oct. 16, 2001**

- (54) **CABLE CONNECTOR ASSEMBLY**
- (75) Inventor: **Jenq-Yih Hwang**, Irvine, CA (US)
- (73) Assignee: **Hon Hai Precision Ind. Co., Ltd.**,
Taipei Hsien (TW)
- (**) Term: **14 Years**
- (21) Appl. No.: **29/129,543**
- (22) Filed: **Sep. 13, 2000**
- (51) **LOC (7) Cl.** **13-03**
- (52) **U.S. Cl.** **D13/147**
- (58) **Field of Search** **D13/146, 147;**
439/352, 353, 357, 358

- 5,344,335 * 9/1994 Scholz et al. 439/357
- 5,860,826 * 1/1999 Chang 439/358
- 5,941,726 * 8/1999 Koegel et al. 439/358
- 6,146,205 * 11/2000 Lai 439/358 X

* cited by examiner

Primary Examiner—Joel Sincavage

(74) *Attorney, Agent, or Firm*—Wei Te Chung

(57) **CLAIM**

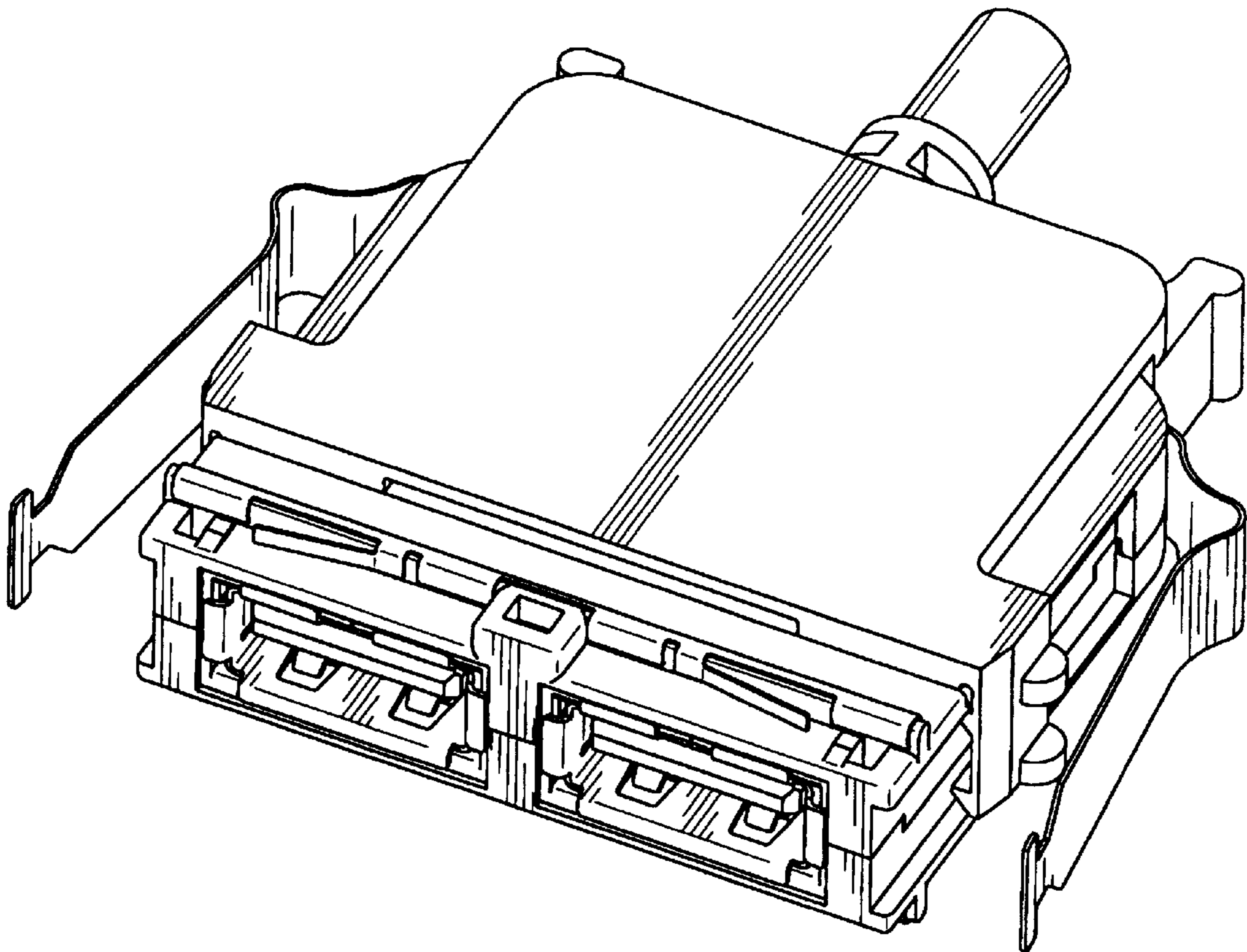
The ornamental design for a cable connector assembly, as shown.

DESCRIPTION

FIG. 1 is a front, top and right side perspective view of a cable connector assembly showing my new design;
 FIG. 2 is a front elevational view thereof;
 FIG. 3 is a rear elevational view thereof;
 FIG. 4 is a left side elevational view thereof;
 FIG. 5 is a right side elevational view thereof;
 FIG. 6 is a top plan view thereof;
 FIG. 7 is a bottom plan view thereof; and,
 FIG. 8 is a rear, top and right side perspective view thereof.

1 Claim, 8 Drawing Sheets

- (56) **References Cited**
- U.S. PATENT DOCUMENTS**
- 4,460,230 * 7/1984 McKee et al. 439/454
- 4,838,810 * 6/1989 Yoshimura et al. 439/358
- 5,178,556 * 1/1993 Chen 439/357
- 5,197,901 * 3/1993 Hashiguchi 439/352
- 5,277,627 * 1/1994 Matsuzaki 439/353 X



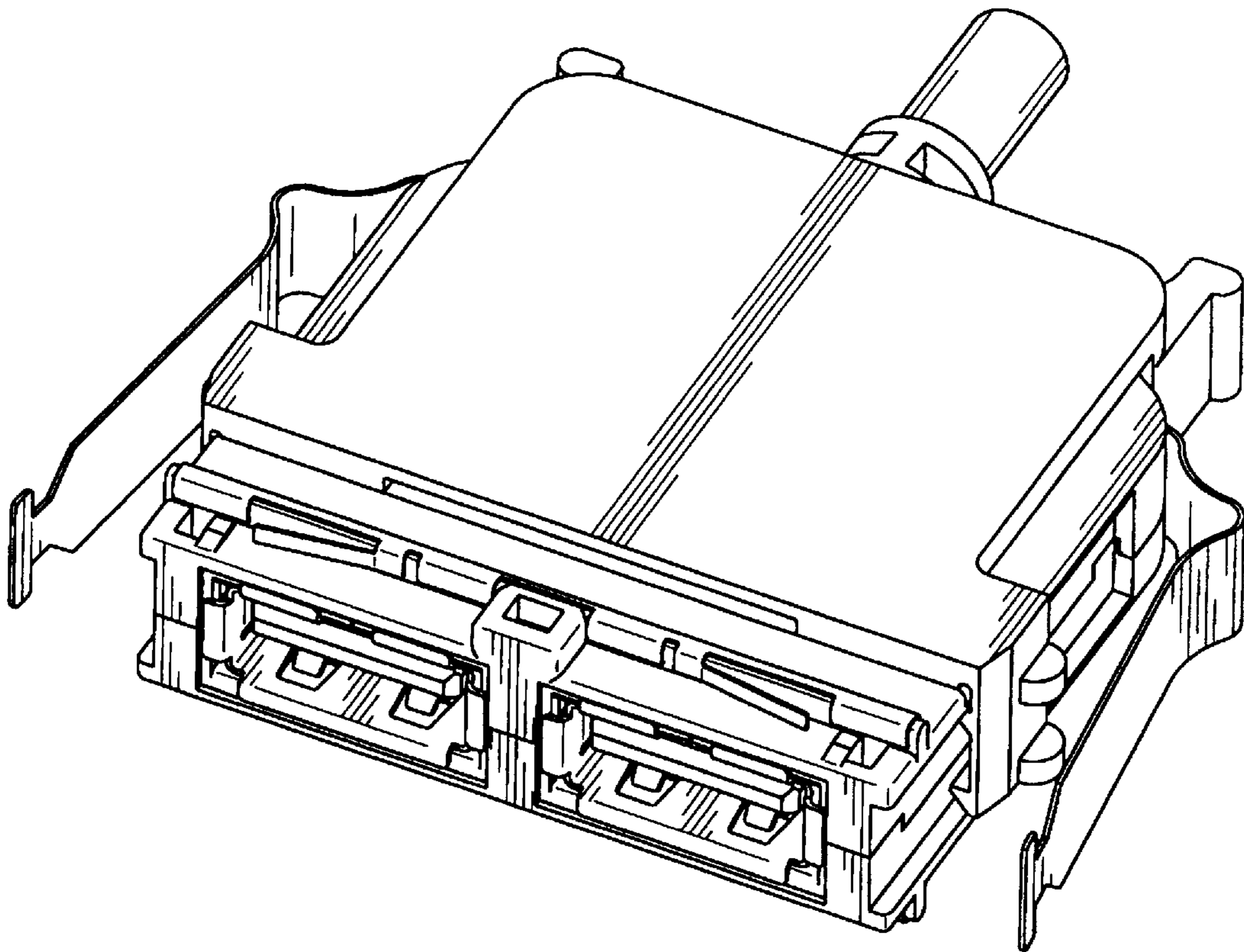


FIG. 1

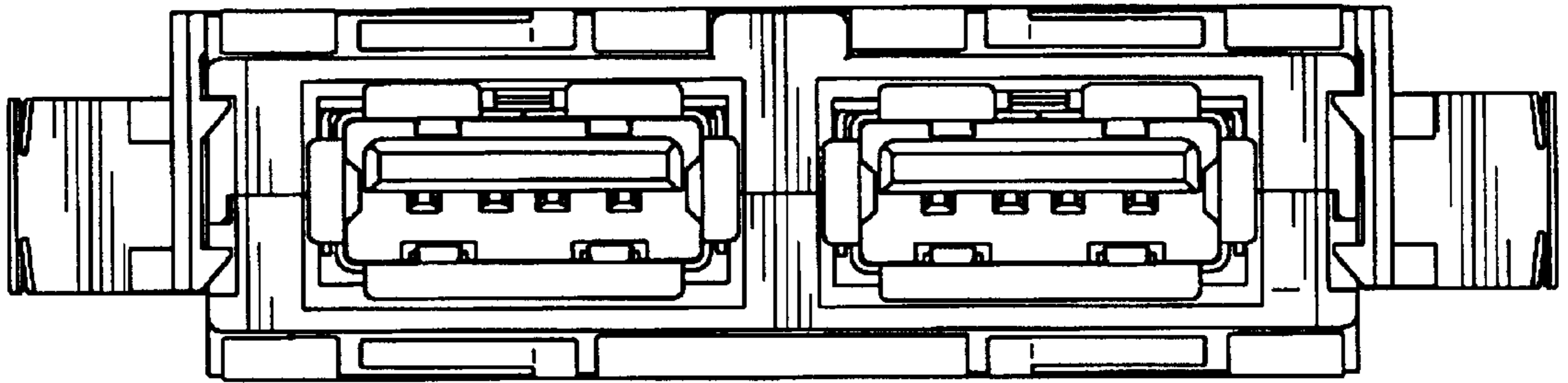


FIG. 2

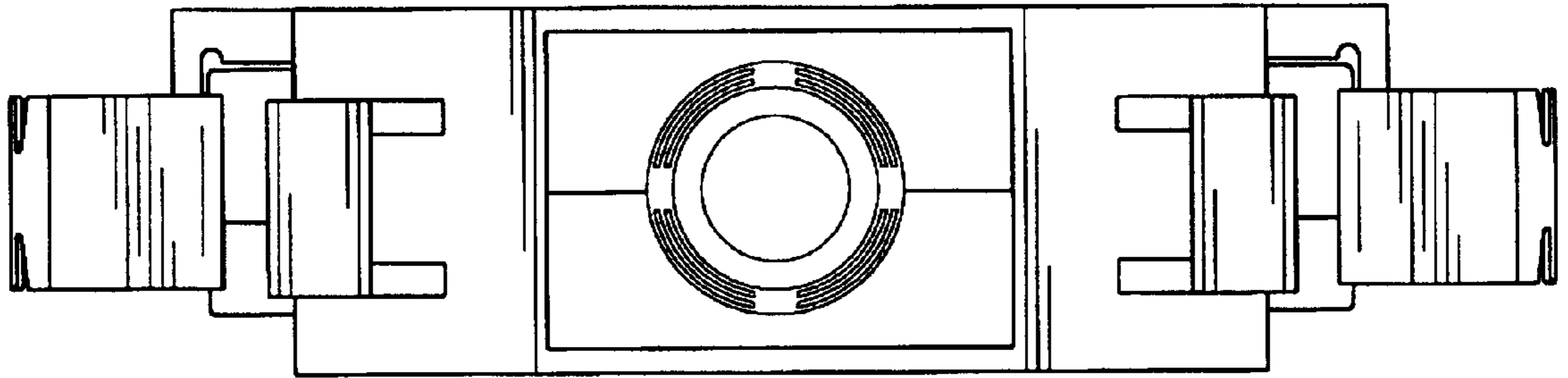


FIG. 3

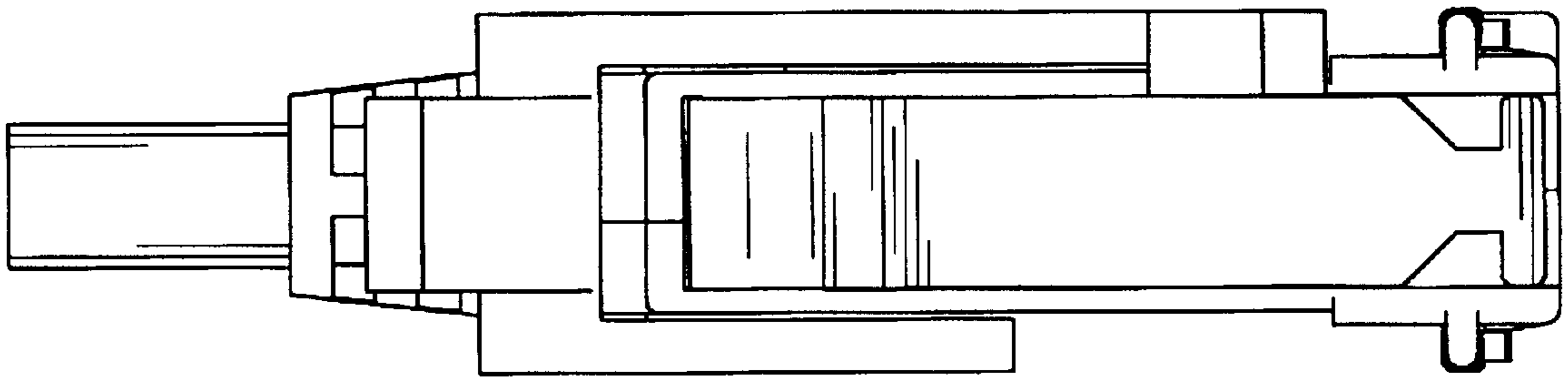


FIG. 4

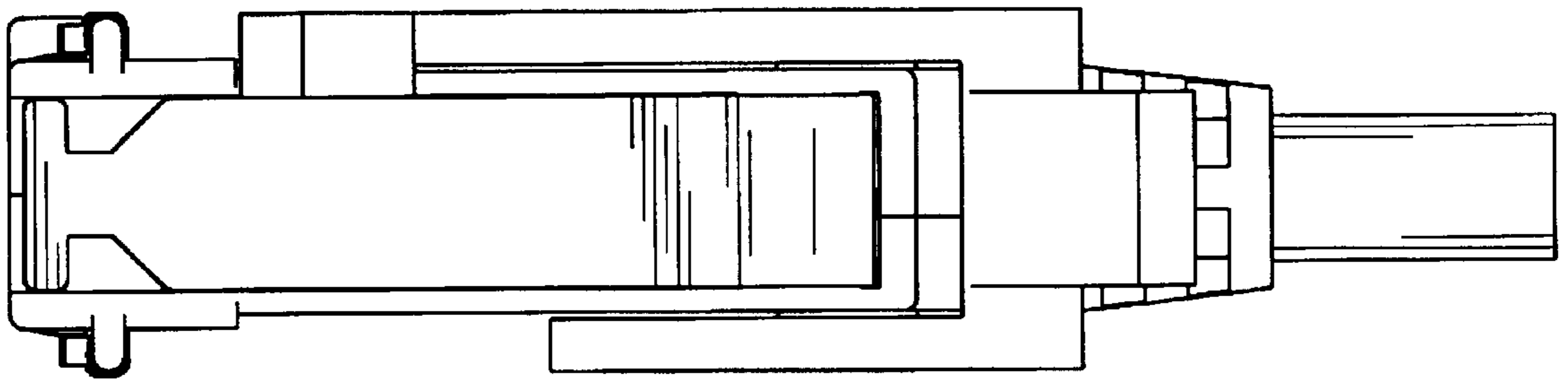


FIG. 5

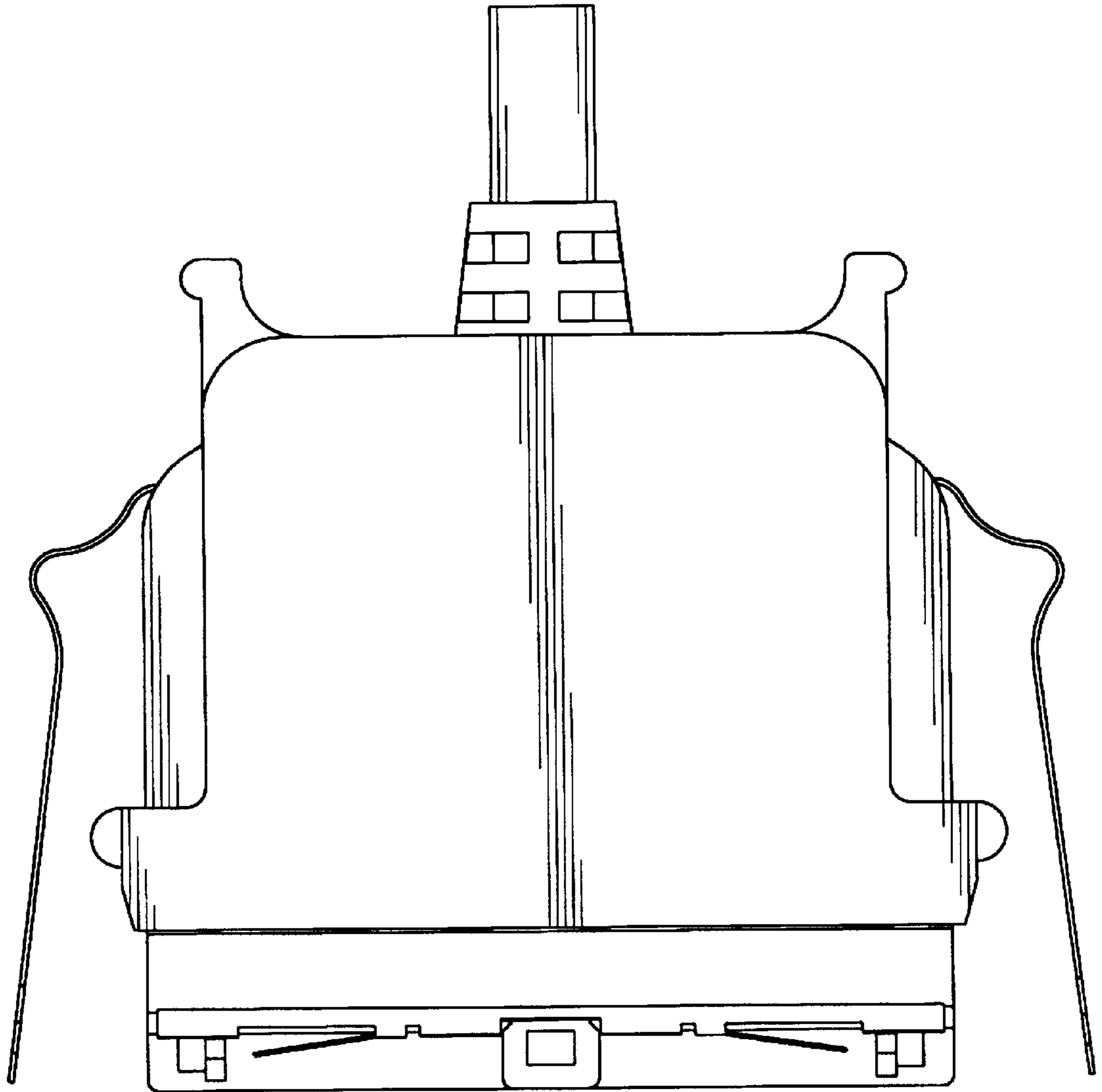


FIG. 6

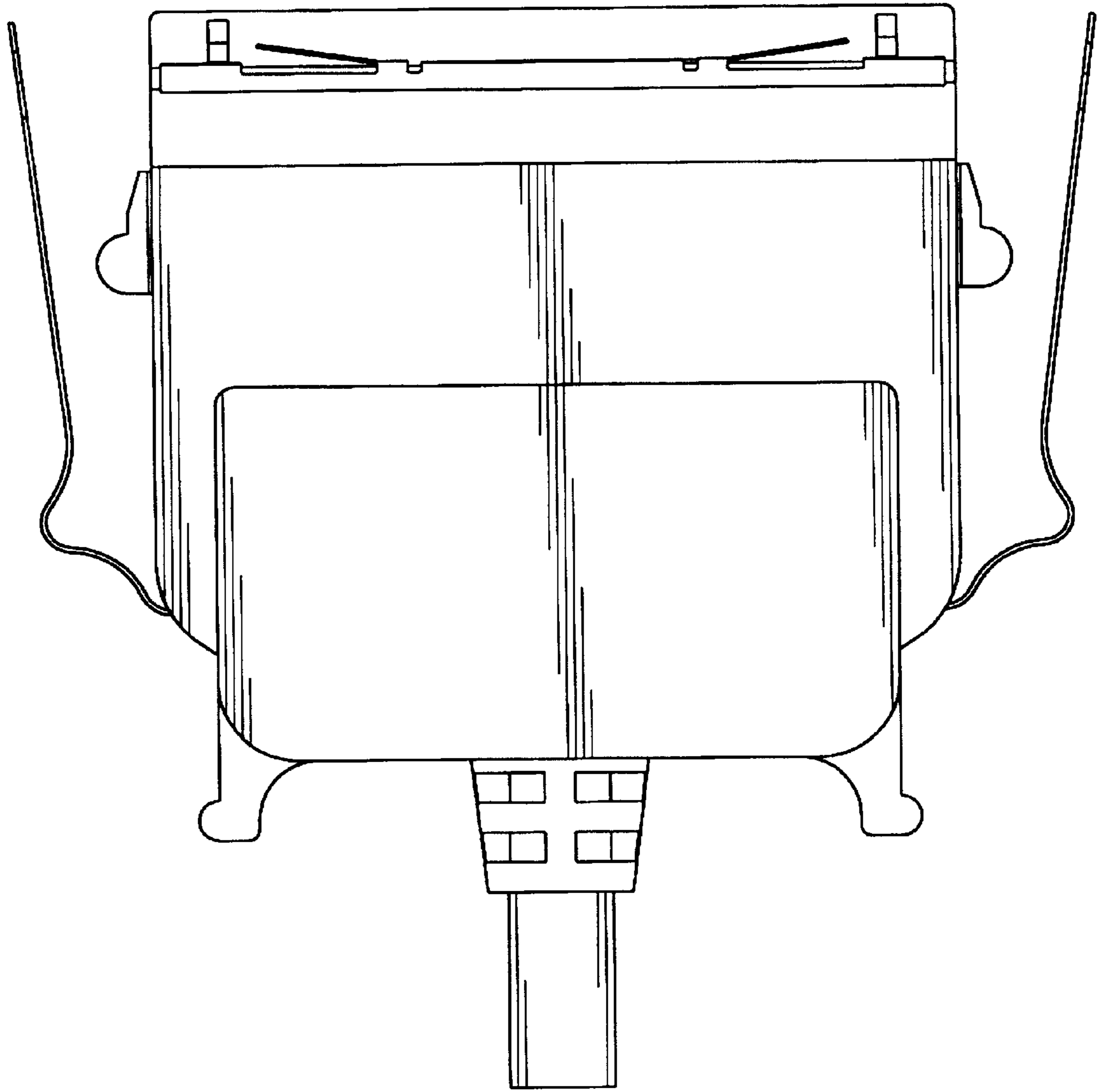


FIG. 7

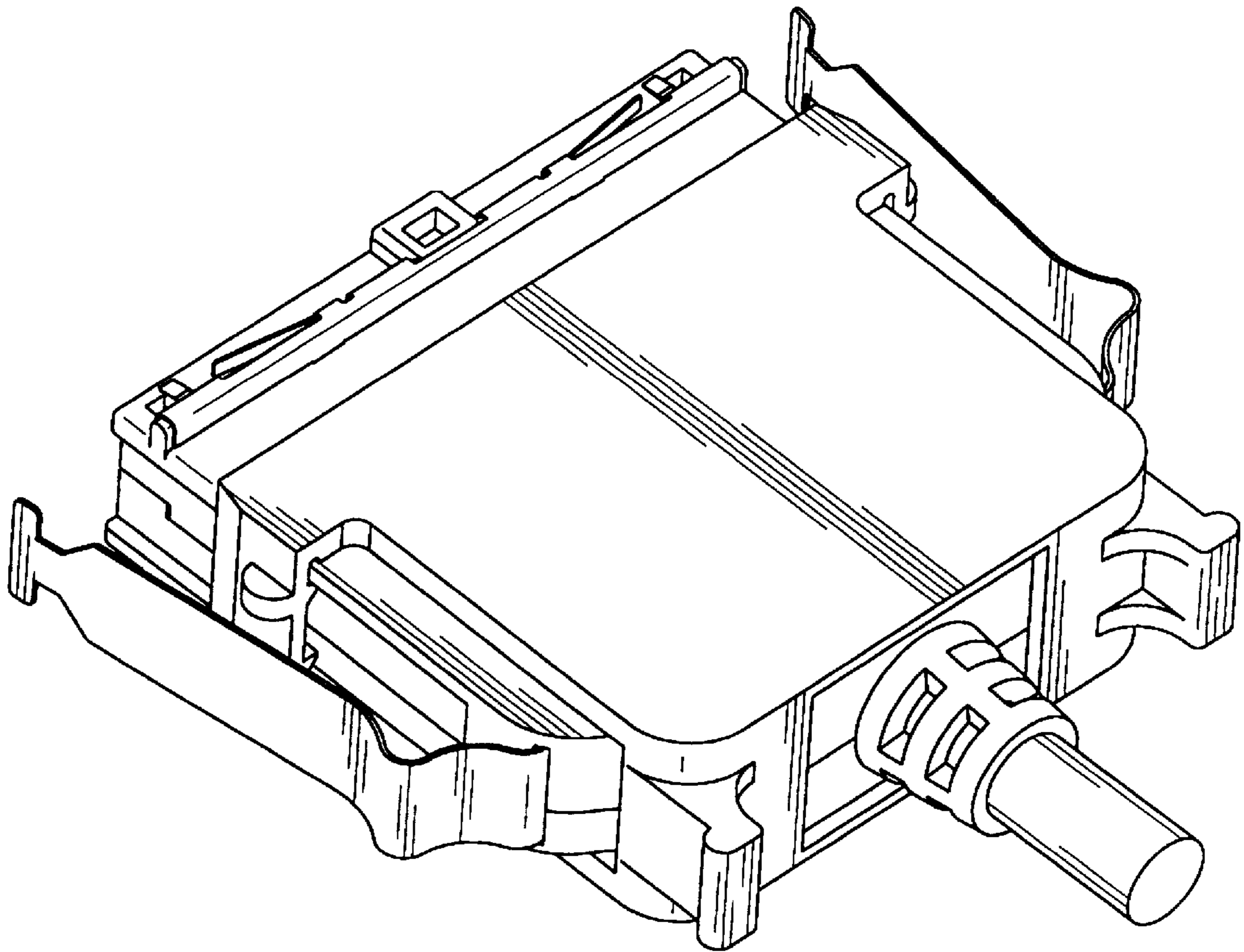


FIG. 8