



US00D449276B1

(12) **United States Design Patent**  
**Hwang et al.**

(10) **Patent No.:** **US D449,276 S**

(45) **Date of Patent:** **\*\* Oct. 16, 2001**

(54) **CABLE CONNECTOR ASSEMBLY**

(75) Inventors: **Jenq-Yih Hwang**, Irvine; **Dennis B. Jones**, Orange, both of CA (US)

(73) Assignee: **Hon Hai Precision Ind. Co., Ltd.**, Taipei Hsien (TW)

(\*\*) Term: **14 Years**

(21) Appl. No.: **29/128,963**

(22) Filed: **Sep. 1, 2000**

(51) **LOC (7) Cl.** ..... **13-03**

(52) **U.S. Cl.** ..... **D13/147**

(58) **Field of Search** ..... D13/146, 147;  
439/352, 353, 357, 358

(56) **References Cited**

**U.S. PATENT DOCUMENTS**

4,431,244	*	2/1984	Anhalt et al. ....	439/358
4,460,230	*	7/1984	McKee et al. ....	439/454
4,838,810	*	6/1989	Yoshimura et al. ....	439/358
5,178,556	*	1/1993	Chen ....	439/357
5,197,901	*	3/1993	Hashiguchi ....	439/352

5,277,627	*	1/1994	Matsuzaki .....	439/353 X
5,344,335	*	9/1994	Scholz et al. ....	439/357
5,860,826	*	1/1999	Chang .....	439/358
5,941,726	*	8/1999	Koegel et al. ....	439/358
6,146,205	*	11/2000	Lai .....	439/358 X

\* cited by examiner

*Primary Examiner*—Joel Sincavage

(74) *Attorney, Agent, or Firm*—Wei Te Chung

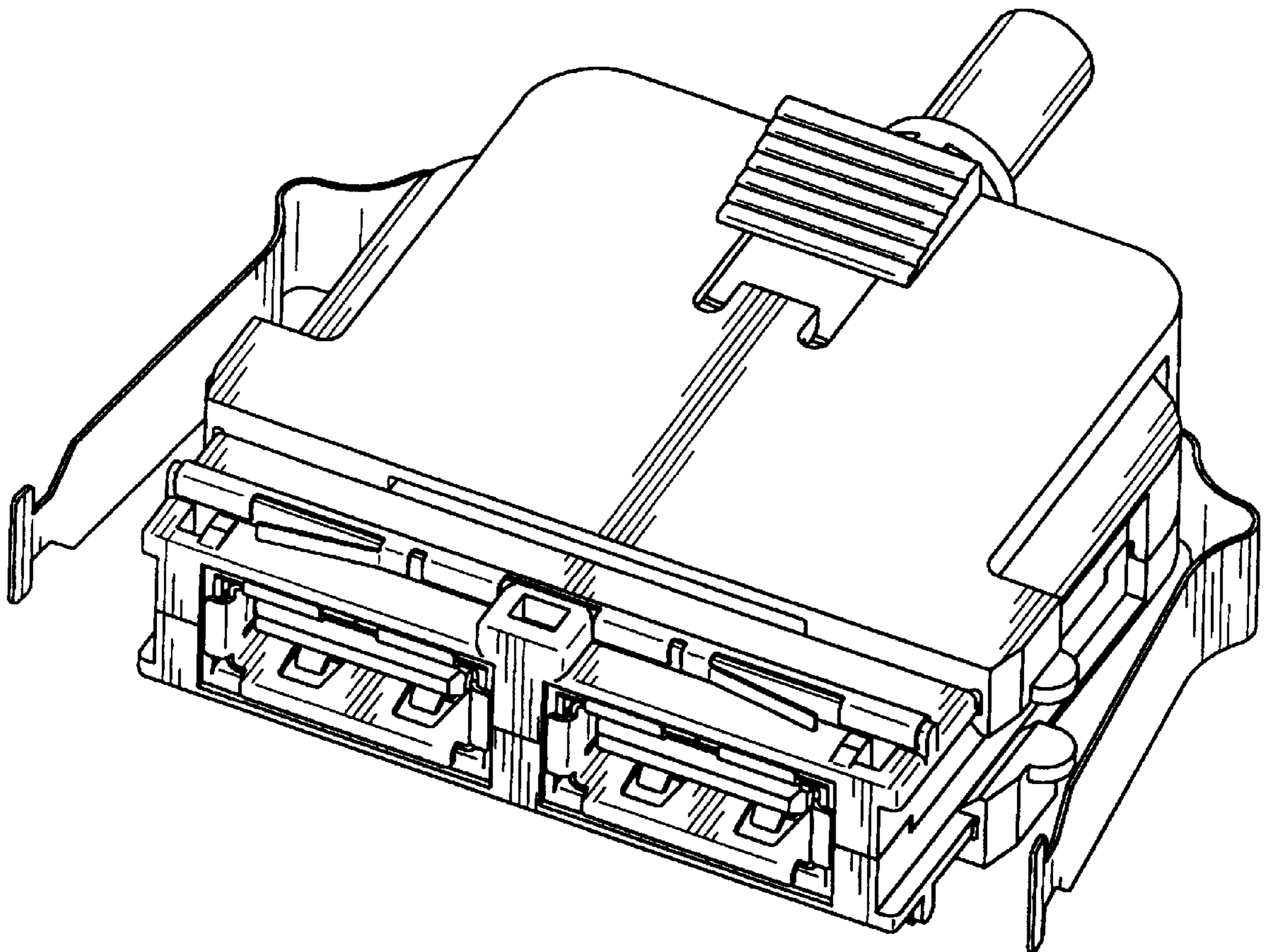
(57) **CLAIM**

The ornamental design for a cable connector assembly, as shown.

**DESCRIPTION**

FIG. 1 is a front, top and right side perspective view of a cable connector assembly showing our new design; FIG. 2 is a front elevational view thereof; FIG. 3 is a rear elevational view thereof; FIG. 4 is a left side elevational view thereof; FIG. 5 is a right side elevational view thereof; FIG. 6 is a top plan view thereof; and, FIG. 7 is a bottom plan view thereof.

**1 Claim, 7 Drawing Sheets**



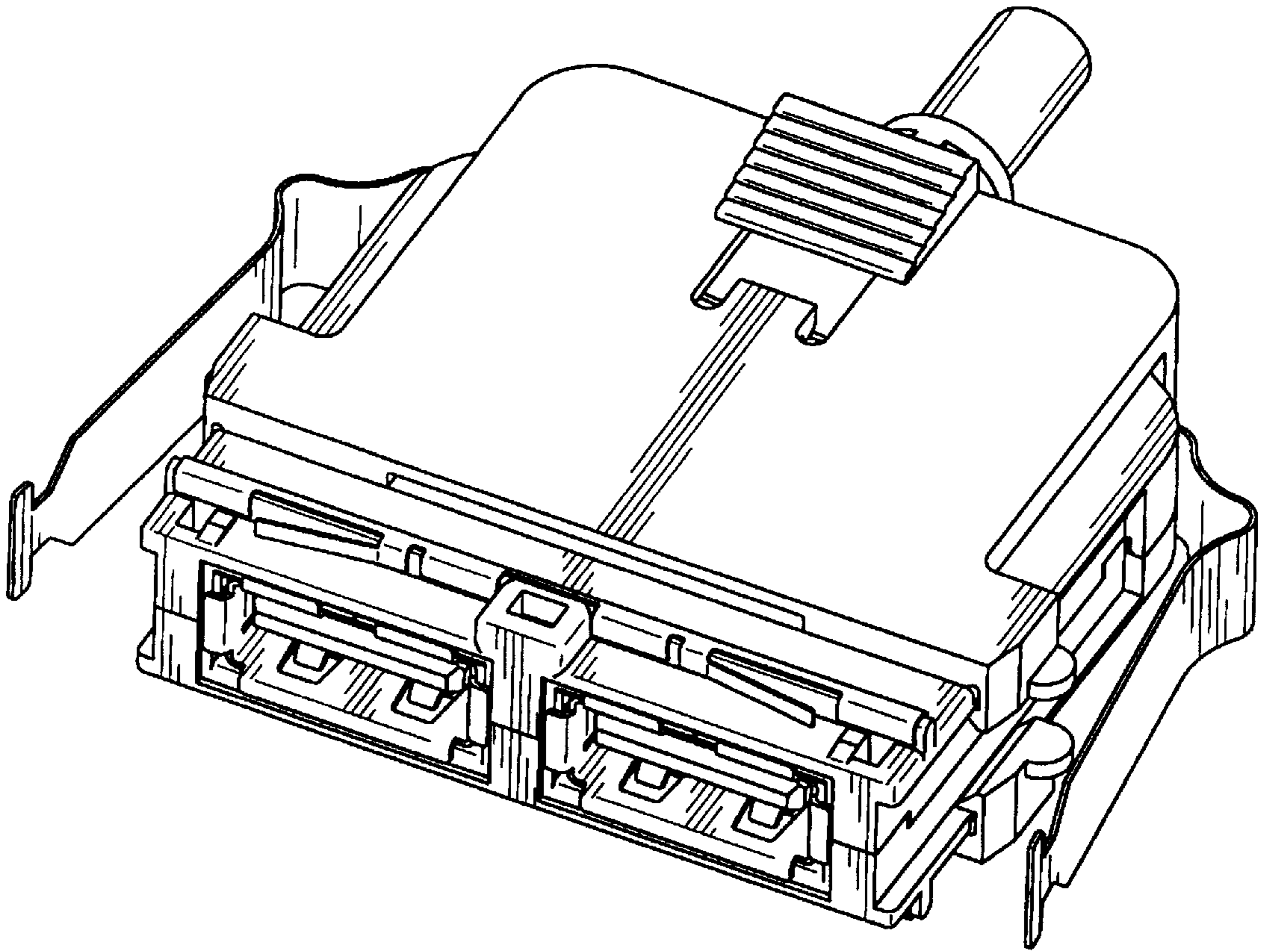


FIG. 1

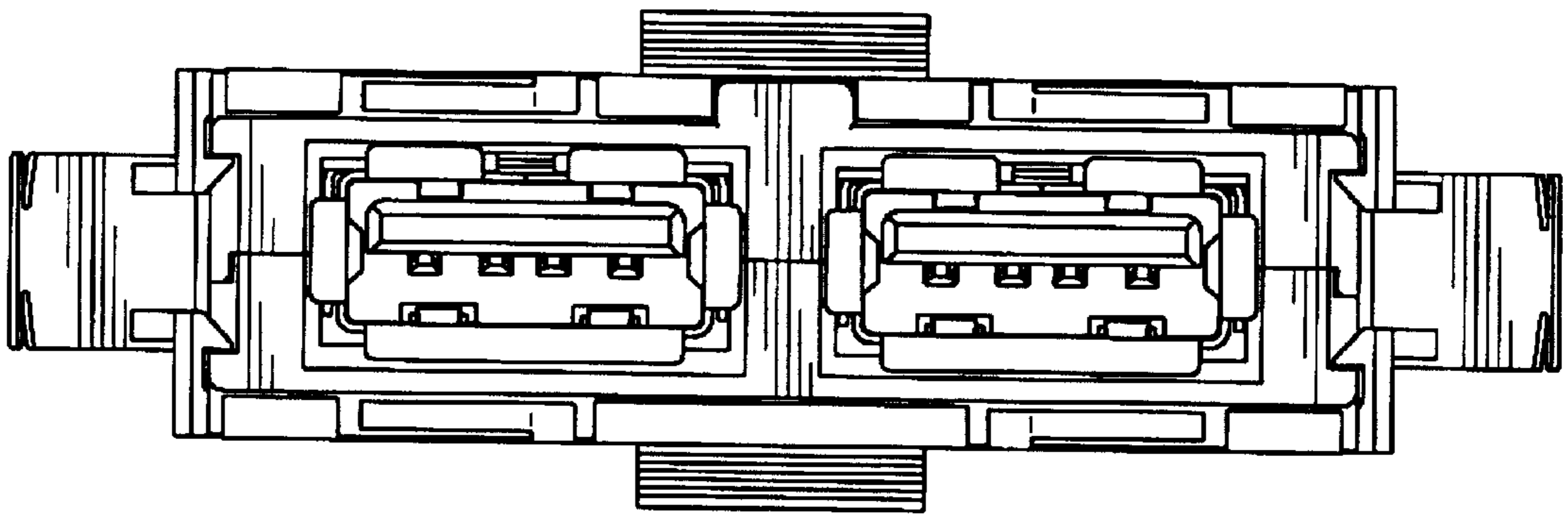


FIG. 2

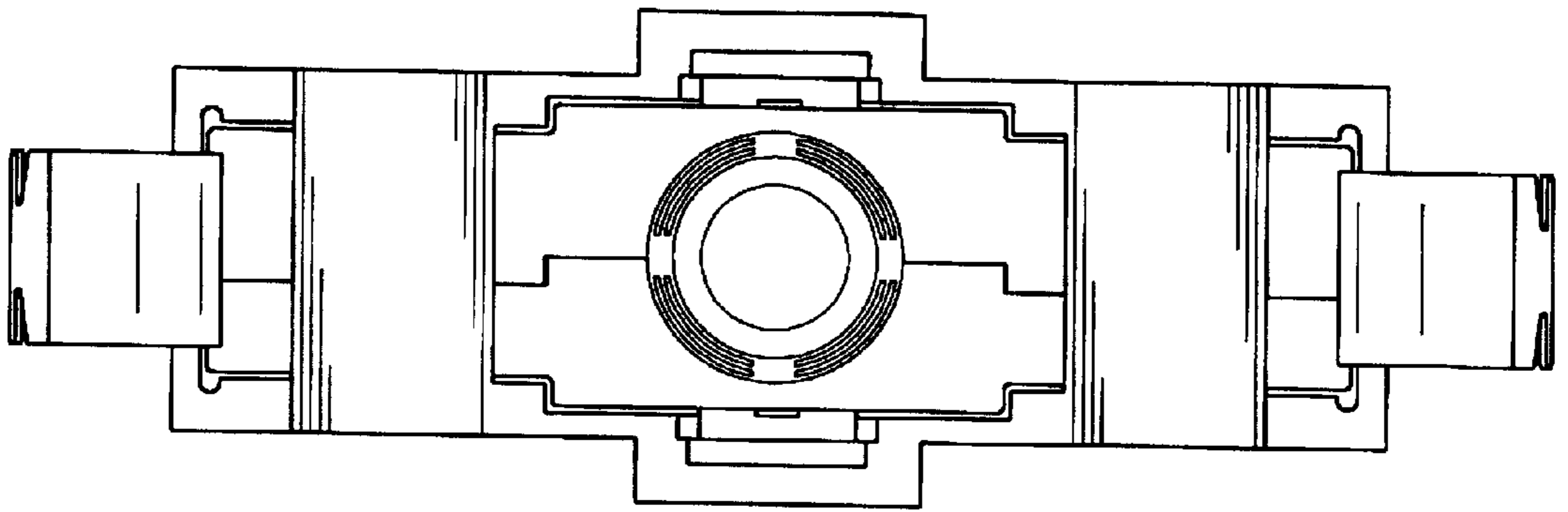


FIG. 3

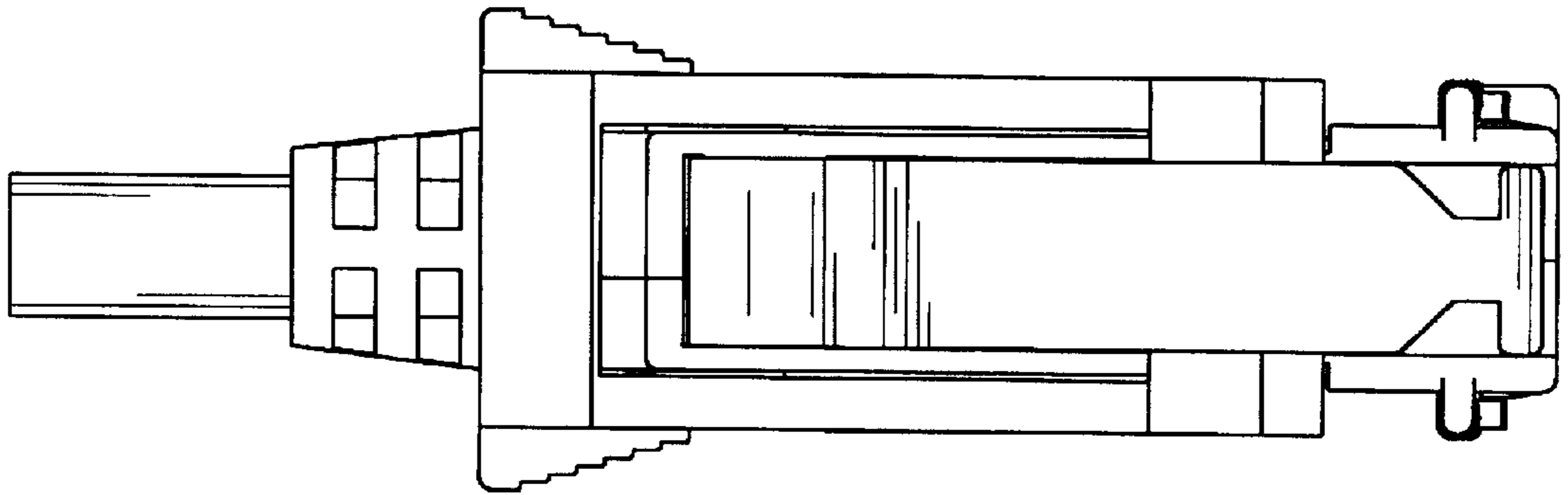


FIG. 4

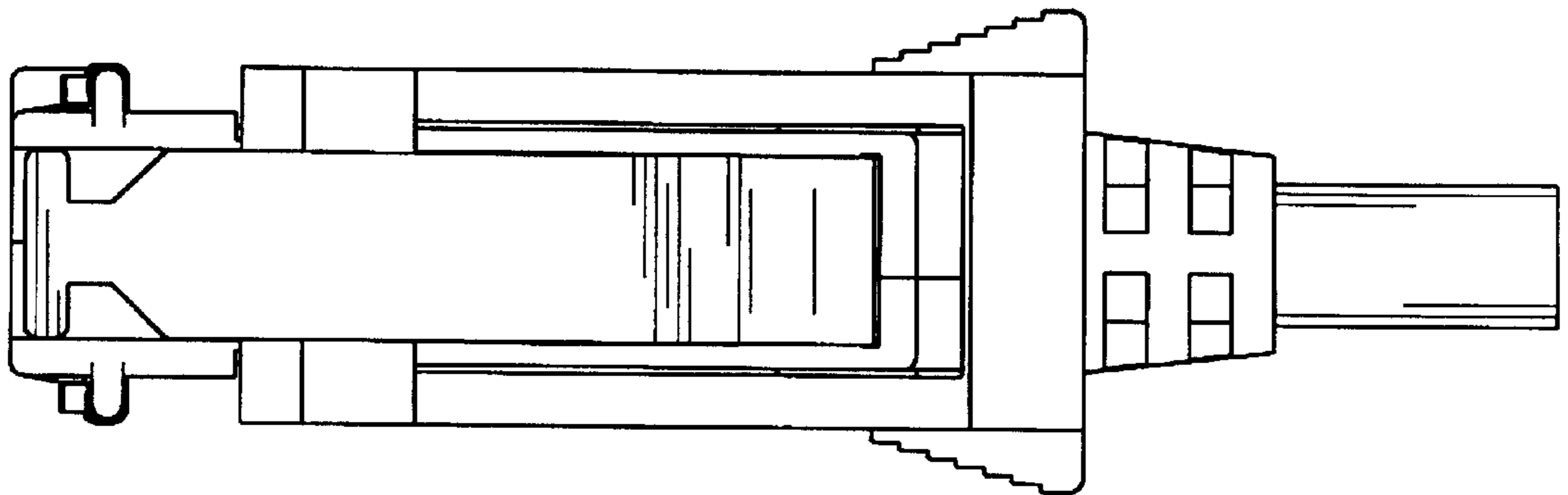


FIG. 5

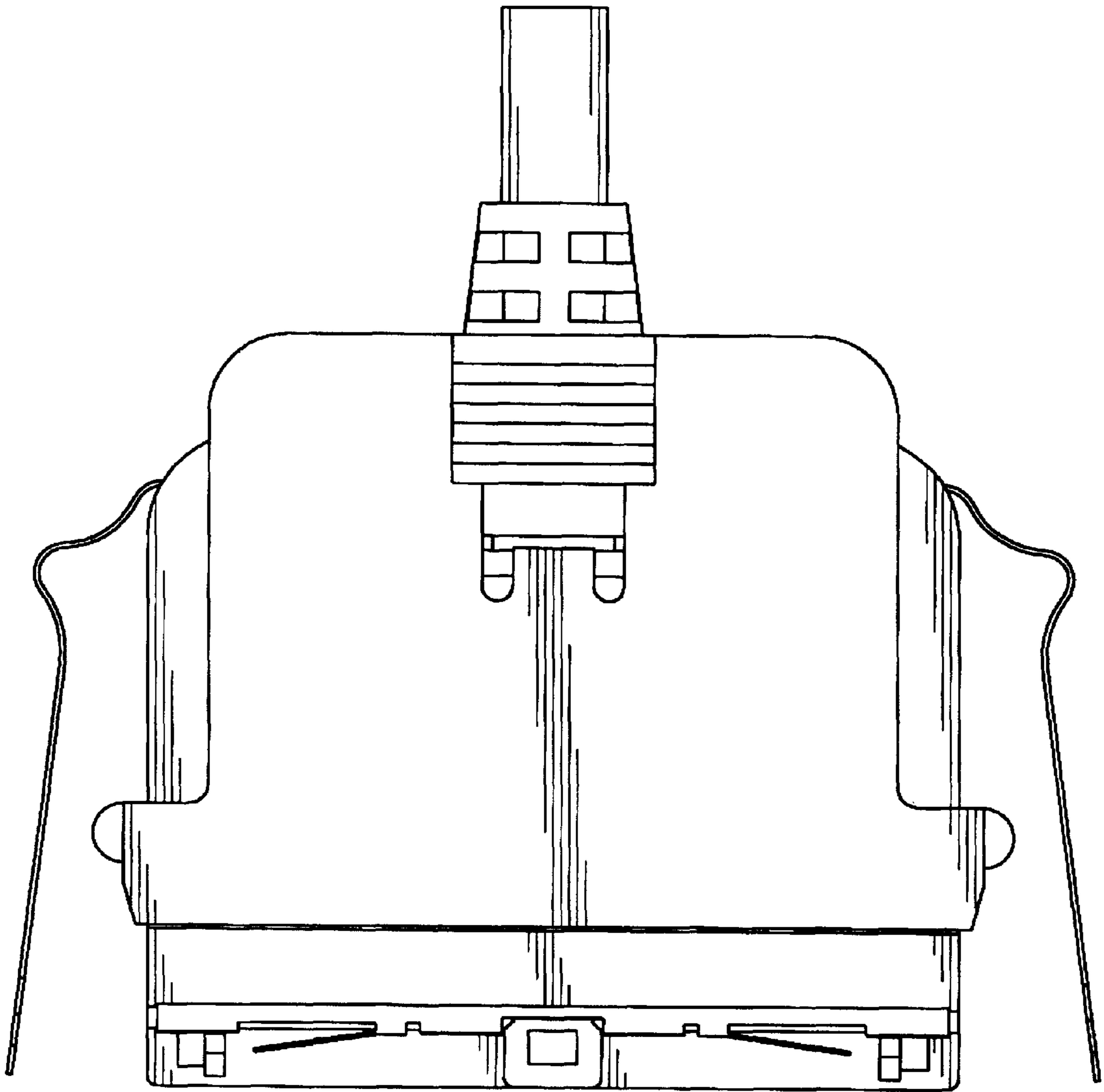


FIG. 6



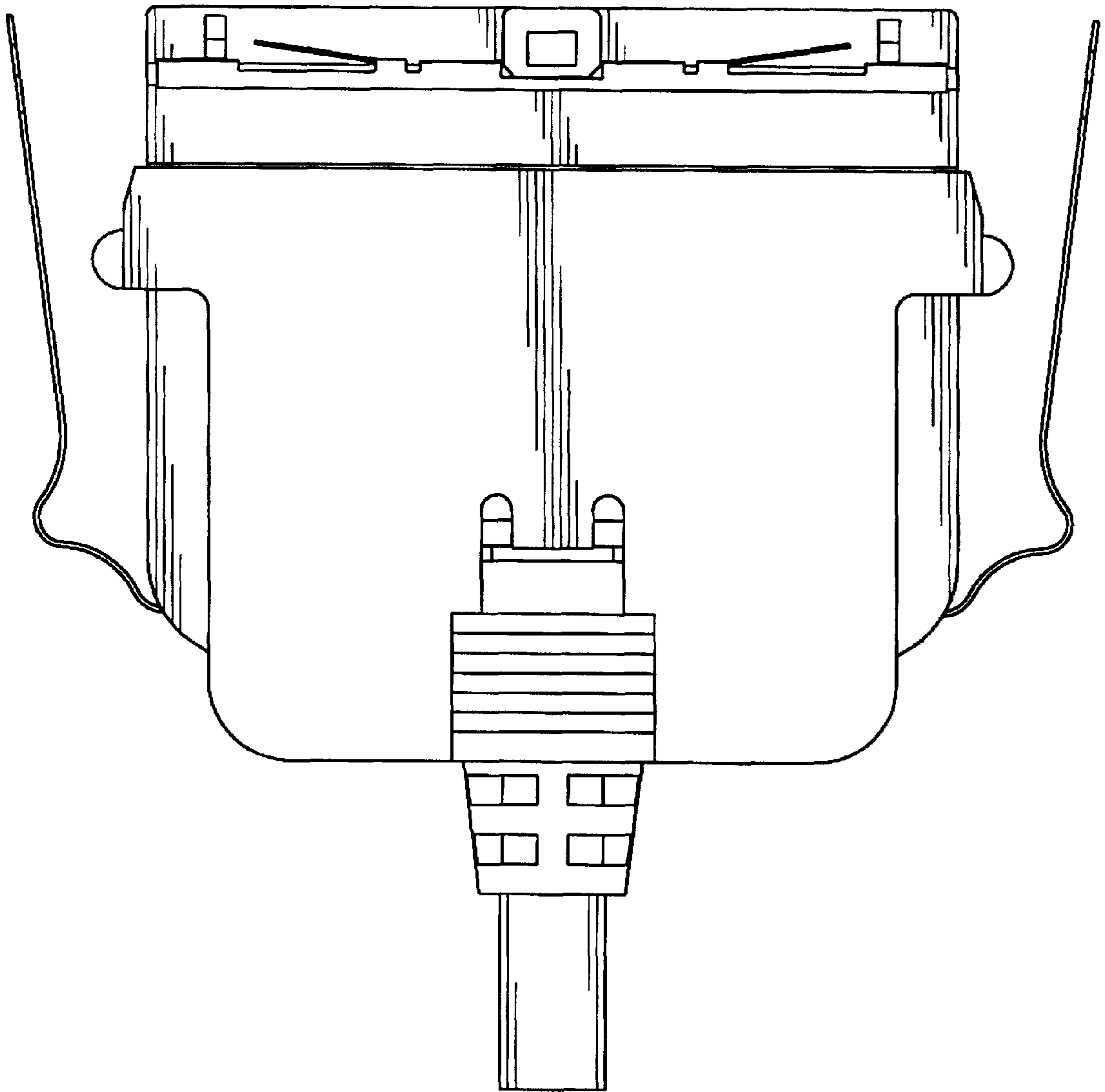


FIG. 7