



US00D449274B1

(12) **United States Design Patent**  
**Suzuki**

(10) **Patent No.:** **US D449,274 S**

(45) **Date of Patent:** **\*\* Oct. 16, 2001**

(54) **JACK**  
(75) Inventor: **Yoshiaki Suzuki**, Ibaraki (JP)  
(73) Assignee: **SMK Corporation**, Tokyo (JP)  
(\*\*) Term: **14 Years**

5,919,052 \* 7/1999 Ho ..... 439/668 X  
6,000,970 \* 12/1999 Wu ..... 439/668 X  
6,056,602 \* 5/2000 Wu ..... 439/668  
6,077,126 \* 6/2000 Peng ..... 439/668  
6,126,465 \* 10/2000 Franks, Jr. .... 439/669 X

\* cited by examiner

(21) Appl. No.: **29/133,454**  
(22) Filed: **Dec. 1, 2000**

*Primary Examiner*—Joel Sincavage  
(74) *Attorney, Agent, or Firm*—Sughrue, Mion, Zinn,  
Macpeak & Seas, PLLC

(30) **Foreign Application Priority Data**

(57) **CLAIM**

Jun. 2, 2000 (JP) ..... 12-018619

The ornamental design for a jack, as shown.

(51) **LOC (7) Cl.** ..... **13-03**  
(52) **U.S. Cl.** ..... **D13/133**  
(58) **Field of Search** ..... D13/133; 439/79,  
439/80, 188, 668, 748

**DESCRIPTION**

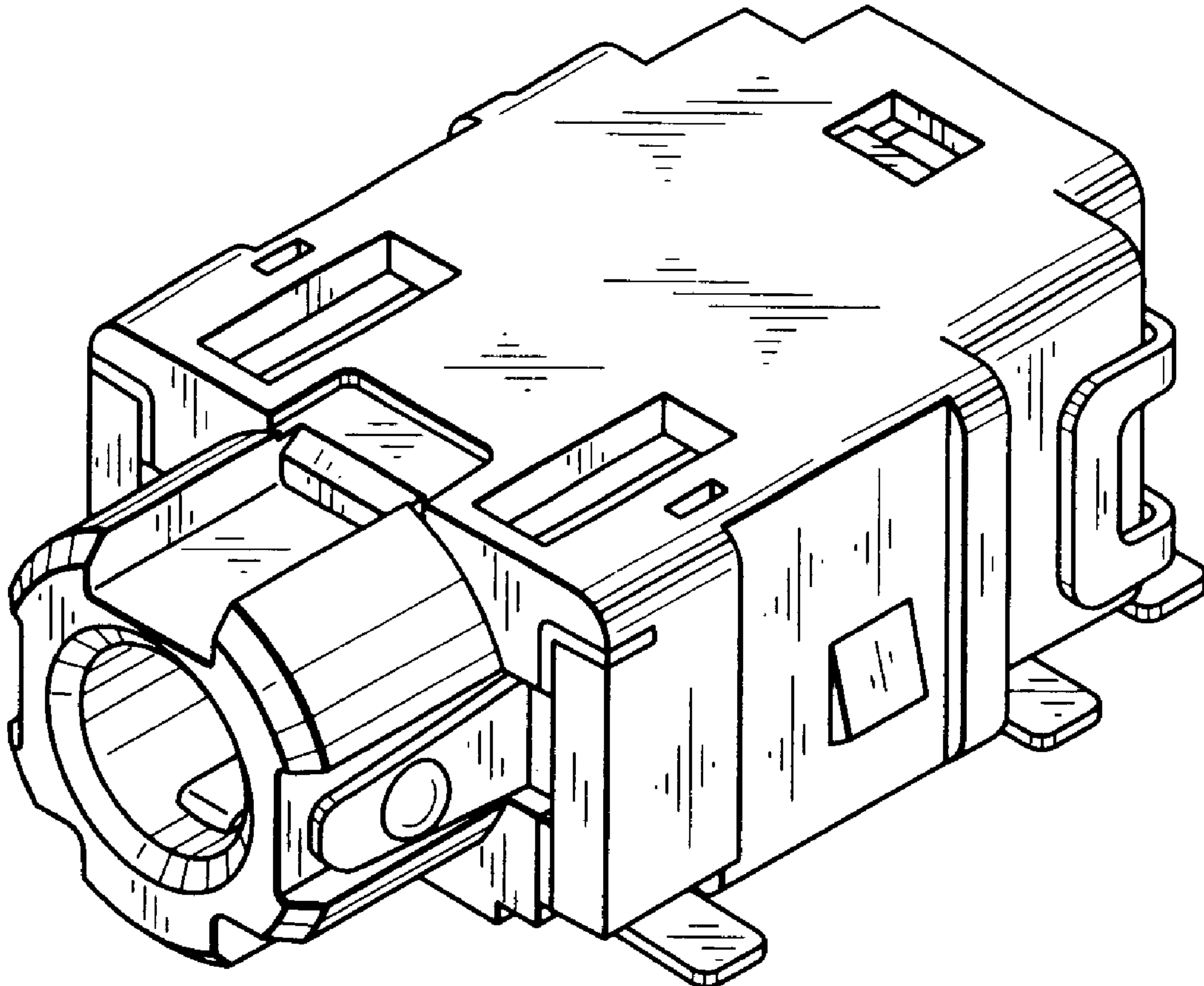
(56) **References Cited**

**U.S. PATENT DOCUMENTS**

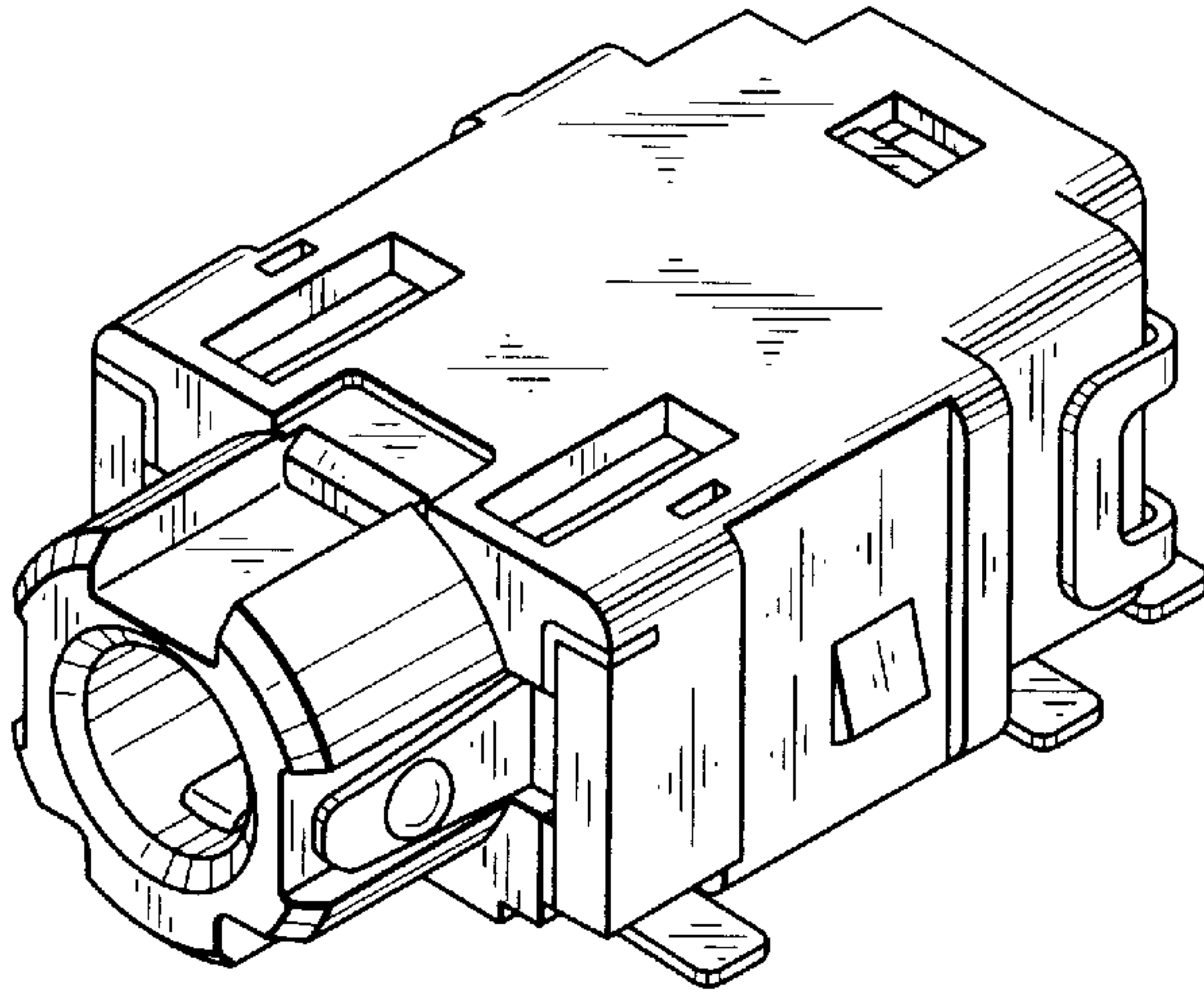
D. 345,546 \* 3/1994 Lin et al. .... D13/133  
D. 420,642 \* 2/2000 Wu ..... D13/133  
D. 432,083 \* 10/2000 Chang ..... D13/133  
4,165,147 \* 8/1979 Buck ..... 439/188  
4,598,970 \* 7/1986 Takihara ..... 439/668  
5,092,795 \* 3/1992 Kitagawa ..... 439/668

FIG. 1 is a perspective view of top, front and right side of a jack showing my new design;  
FIG. 2 is a perspective view of the bottom, rear and left side thereof;  
FIG. 3 is a front elevational view thereof;  
FIG. 4 is a right side elevational view thereof;  
FIG. 5 is a top plan view thereof;  
FIG. 6 is a bottom plan view thereof;  
FIG. 7 is a rear elevational view thereof; and,  
FIG. 8 is a left side elevational view thereof.

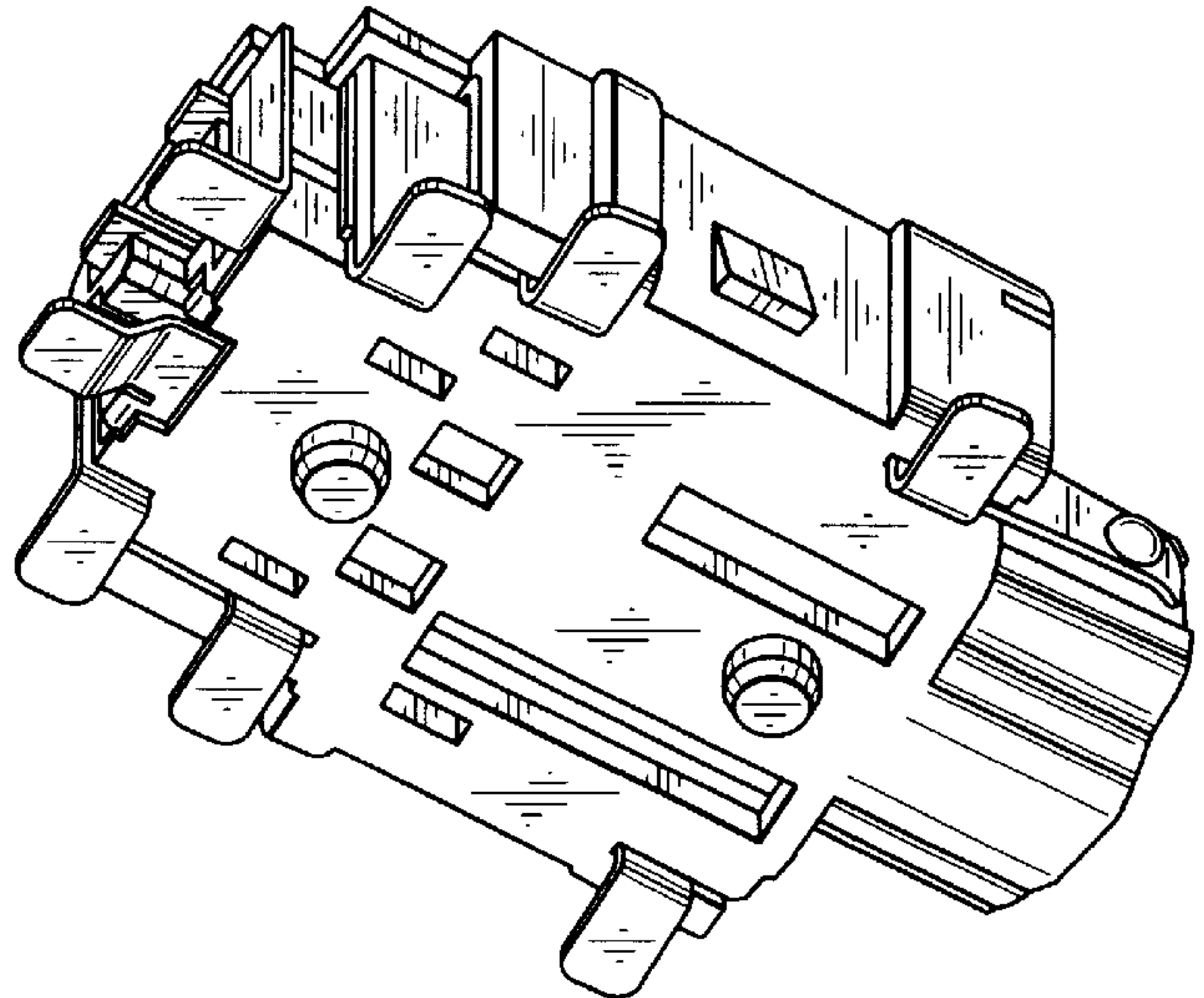
**1 Claim, 2 Drawing Sheets**



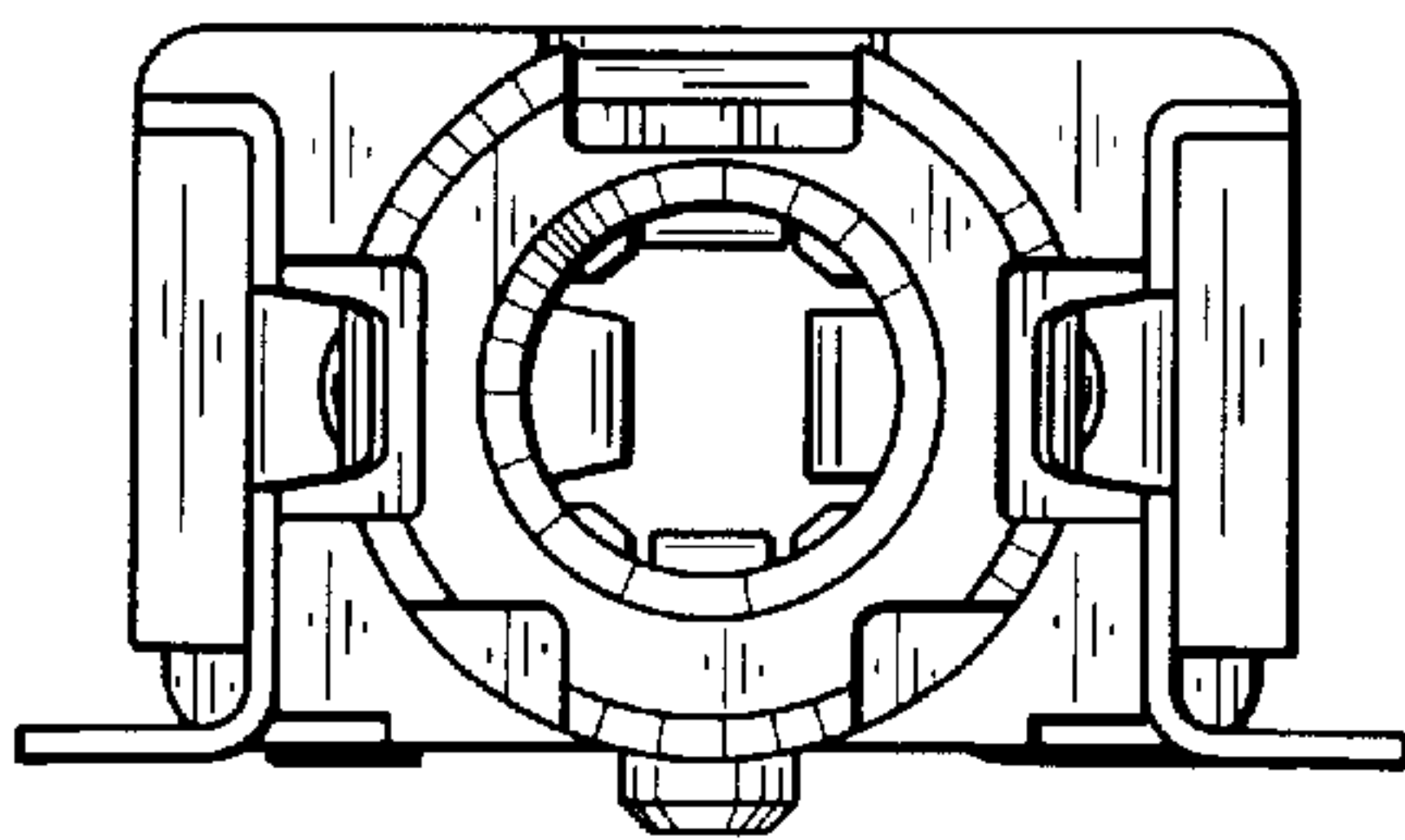
**FIG. 1**



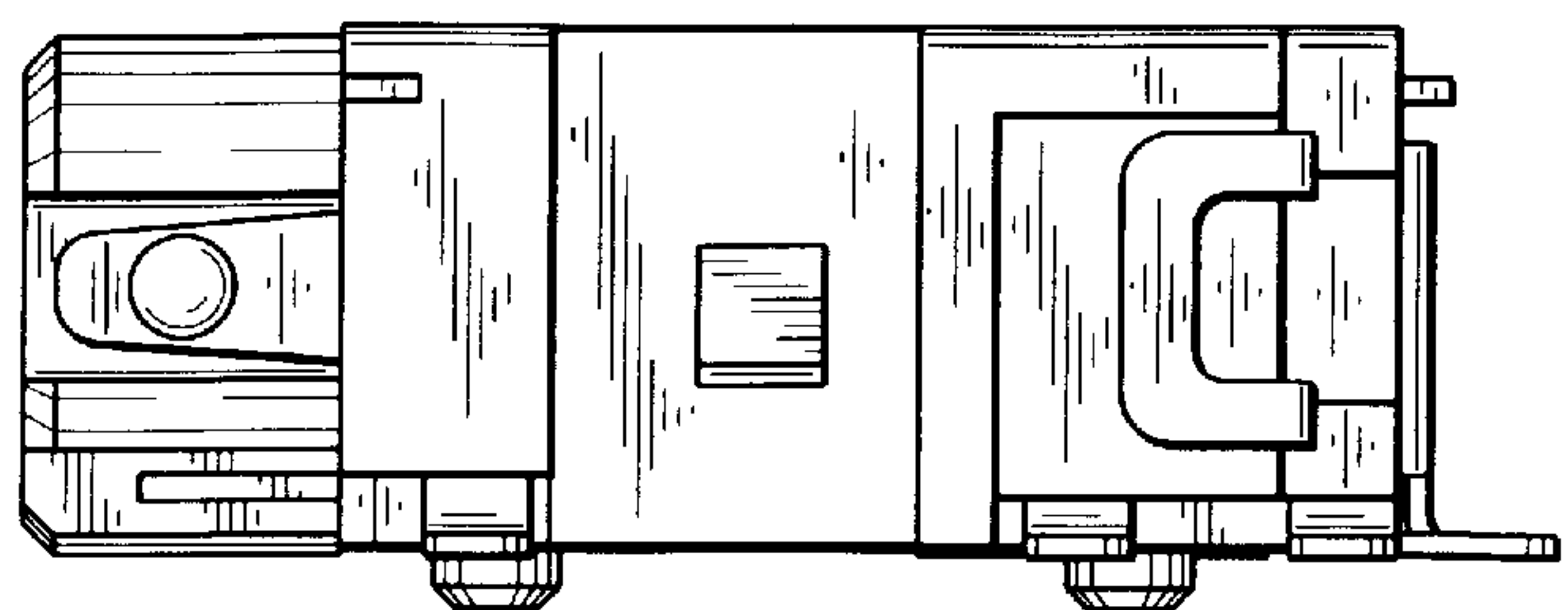
**FIG. 2**



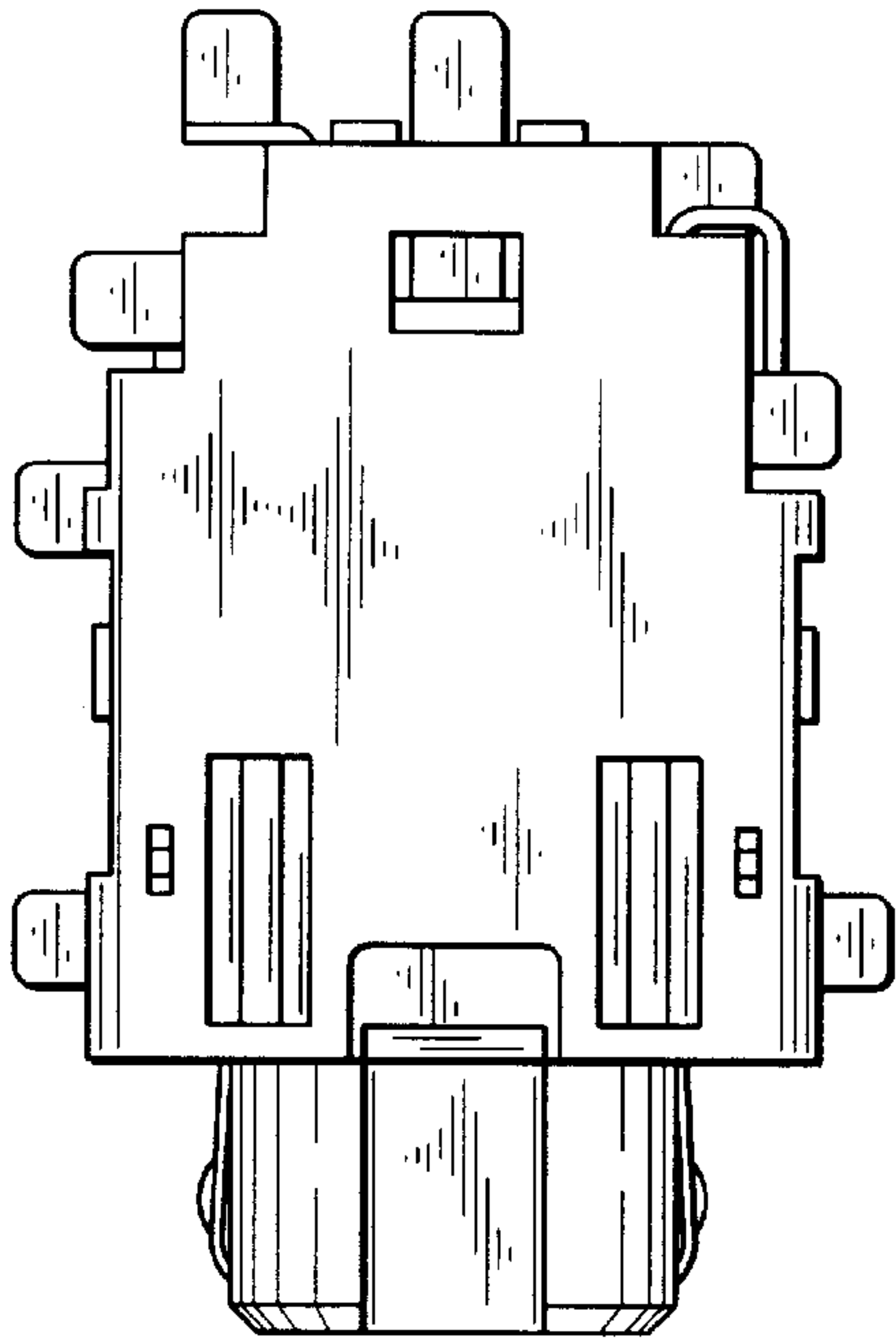
**FIG. 3**



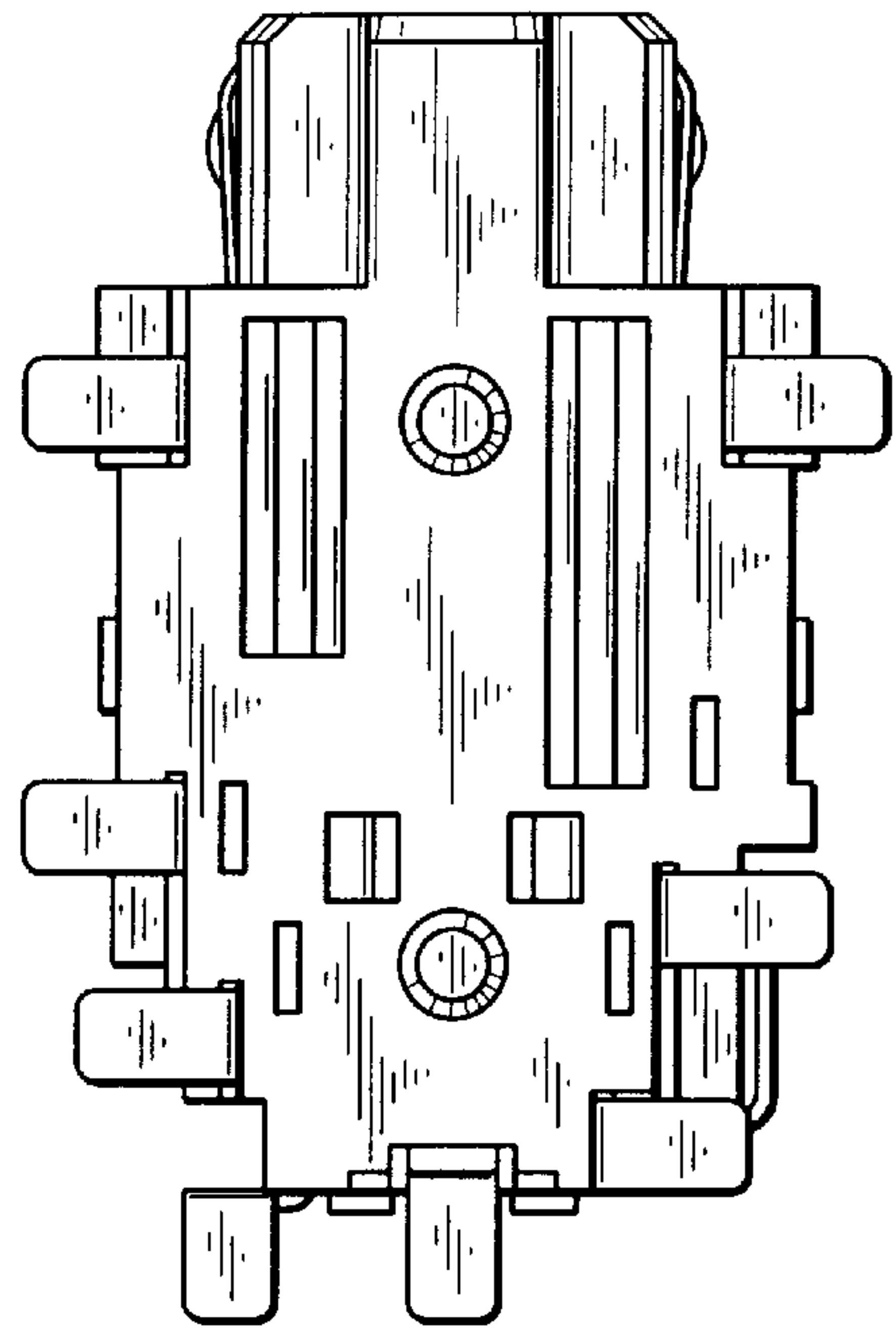
**FIG. 4**



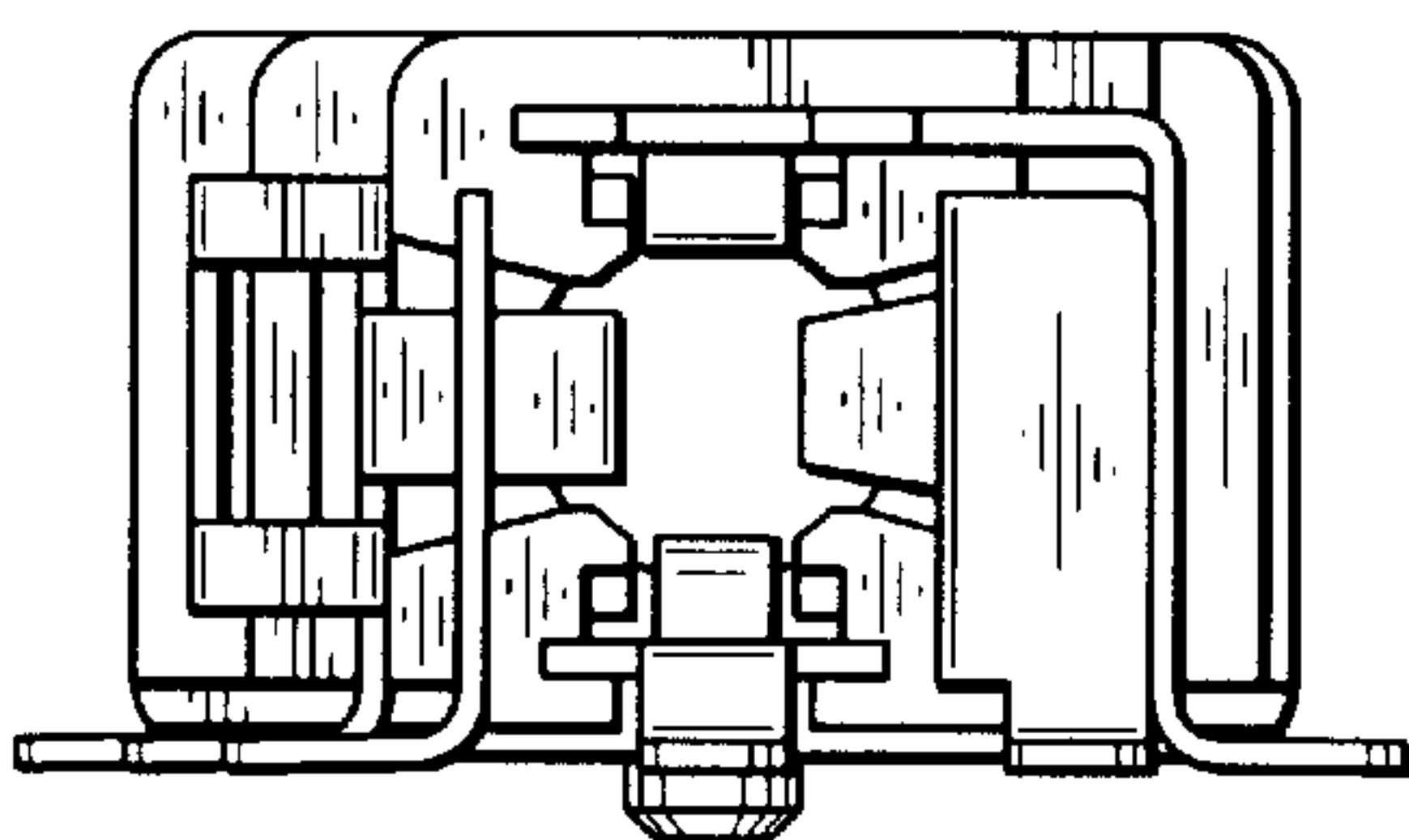
*FIG. 5*



*FIG. 6*



*FIG. 7*



*FIG. 8*

