



US00D449273B1

(12) **United States Design Patent**
Lin

(10) **Patent No.:** **US D449,273 S**

(45) **Date of Patent:** **** Oct. 16, 2001**

(54) **ELECTRICAL CONNECTOR**
(75) Inventor: **Yi-Sheng Lin, Tu-Chen (TW)**
(73) Assignee: **Hon Hai Precision Ind. Co., Ltd.,
Taipei Hsien (TW)**
(**) Term: **14 Years**

4,598,970 * 7/1986 Takihara 439/668
5,092,795 * 3/1992 Kitagawa 439/668
5,919,052 * 7/1999 Ho 439/668 X
6,000,970 * 12/1999 Wu 439/668 X
6,056,602 * 5/2000 Wu 439/668
6,077,126 * 6/2000 Peng 439/668
6,126,465 * 10/2000 Franks, Jr. 439/669 X

* cited by examiner

(21) Appl. No.: **29/132,944**
(22) Filed: **Nov. 17, 2000**
(30) **Foreign Application Priority Data**
Nov. 10, 2000 (TW) 089307559
(51) **LOC (7) Cl.** **13-03**
(52) **U.S. Cl.** **D13/133**
(58) **Field of Search** D13/133; 439/79,
439/80, 668, 748, 188

Primary Examiner—Joel Sincavage
(74) *Attorney, Agent, or Firm*—Wei Te Chung

(57) **CLAIM**

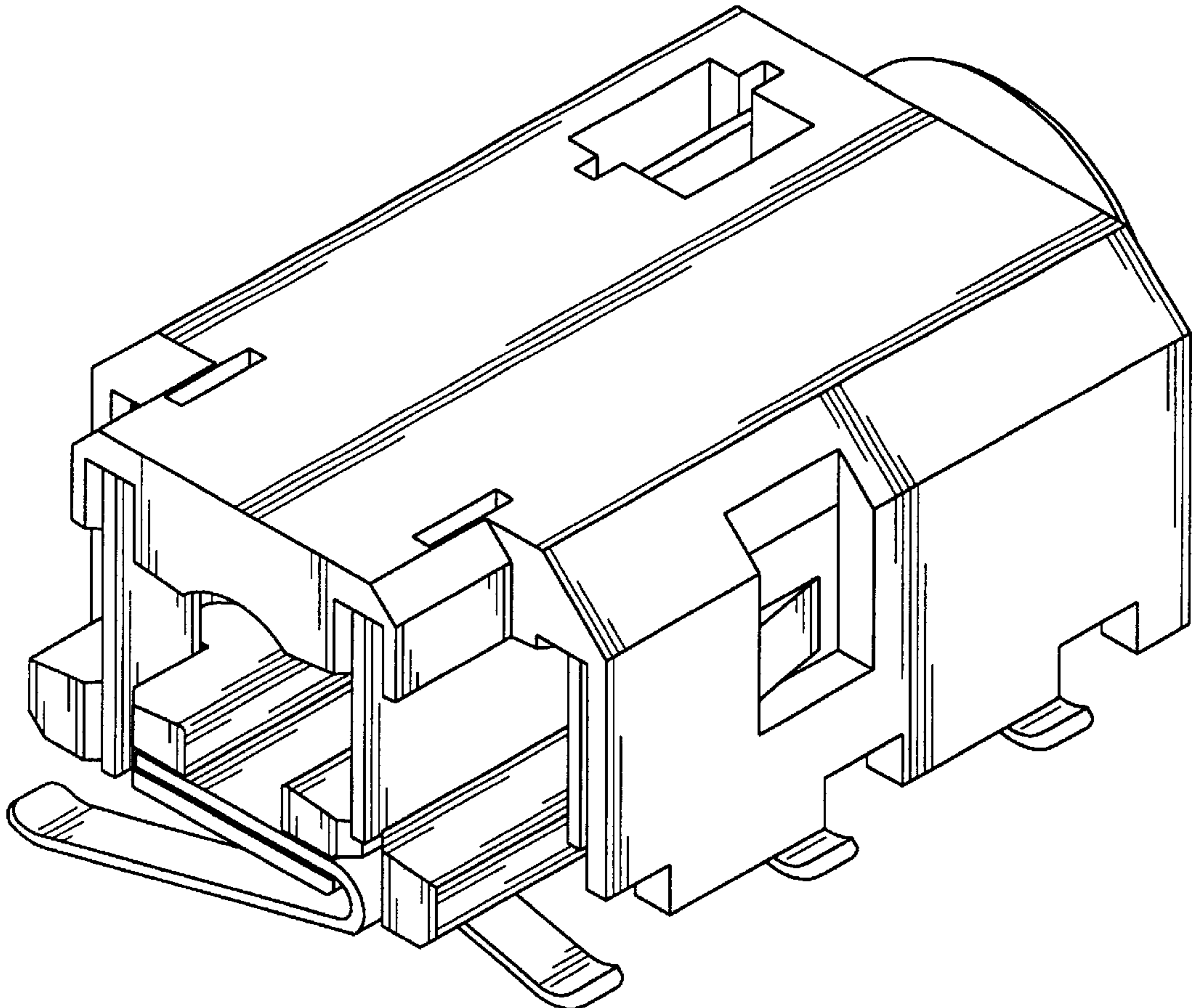
The ornamental design for an electrical connector, as shown.

DESCRIPTION

FIG. 1 is a rear, top and left side perspective view of an electrical connector showing my new design;
FIG. 2 is a rear elevational view thereof;
FIG. 3 is a front elevational view thereof;
FIG. 4 is a right side elevational view thereof;
FIG. 5 is a left side elevational view thereof;
FIG. 6 is a top plan view thereof; and,
FIG. 7 is a bottom plan view thereof.

(56) **References Cited**
U.S. PATENT DOCUMENTS
D. 345,546 * 3/1994 Lin et al. D13/133
D. 420,642 * 2/2000 Wu D13/133
D. 432,083 * 10/2000 Chang D13/133
4,165,147 * 8/1979 Buck 439/188

1 Claim, 7 Drawing Sheets



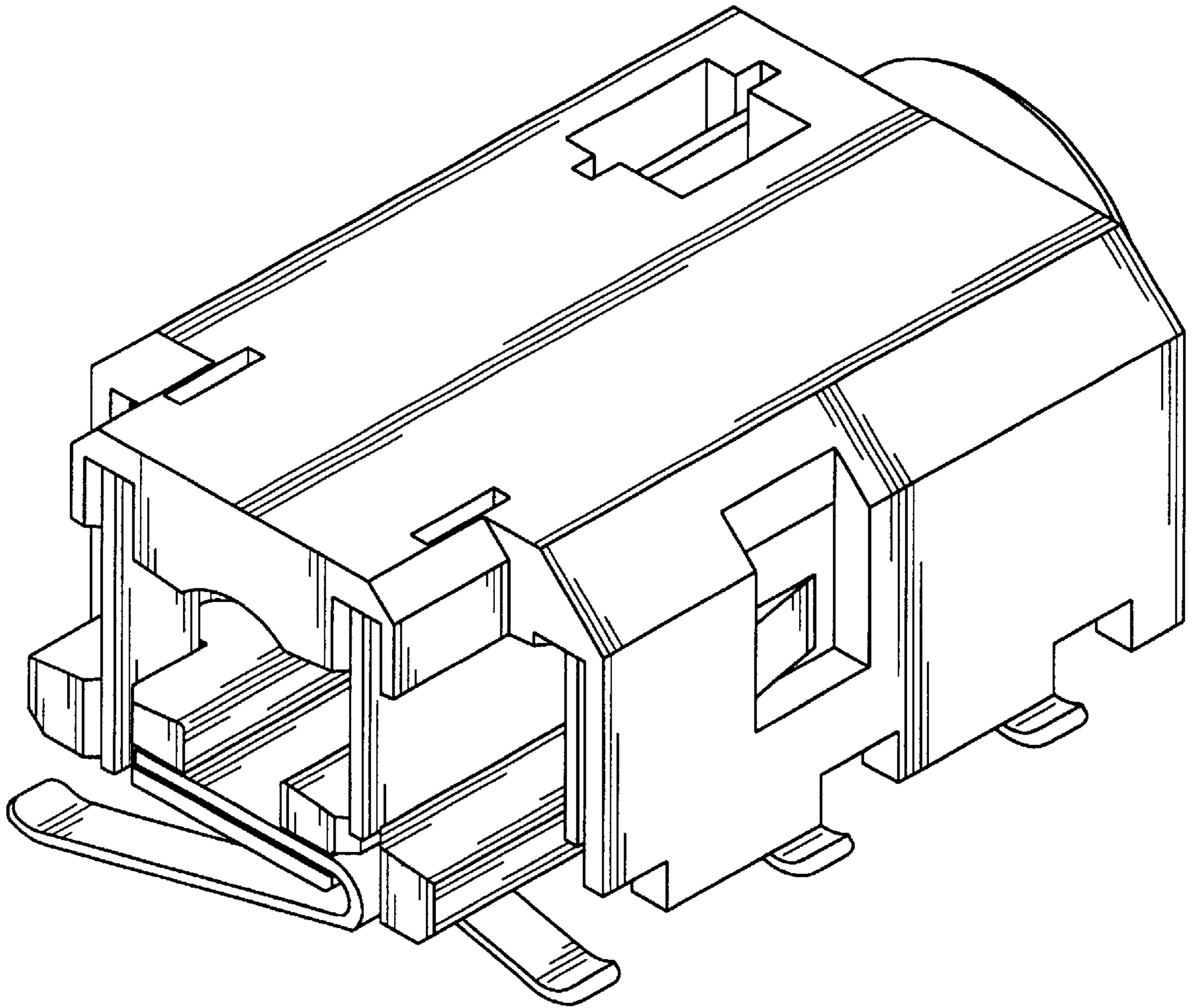


FIG. 1

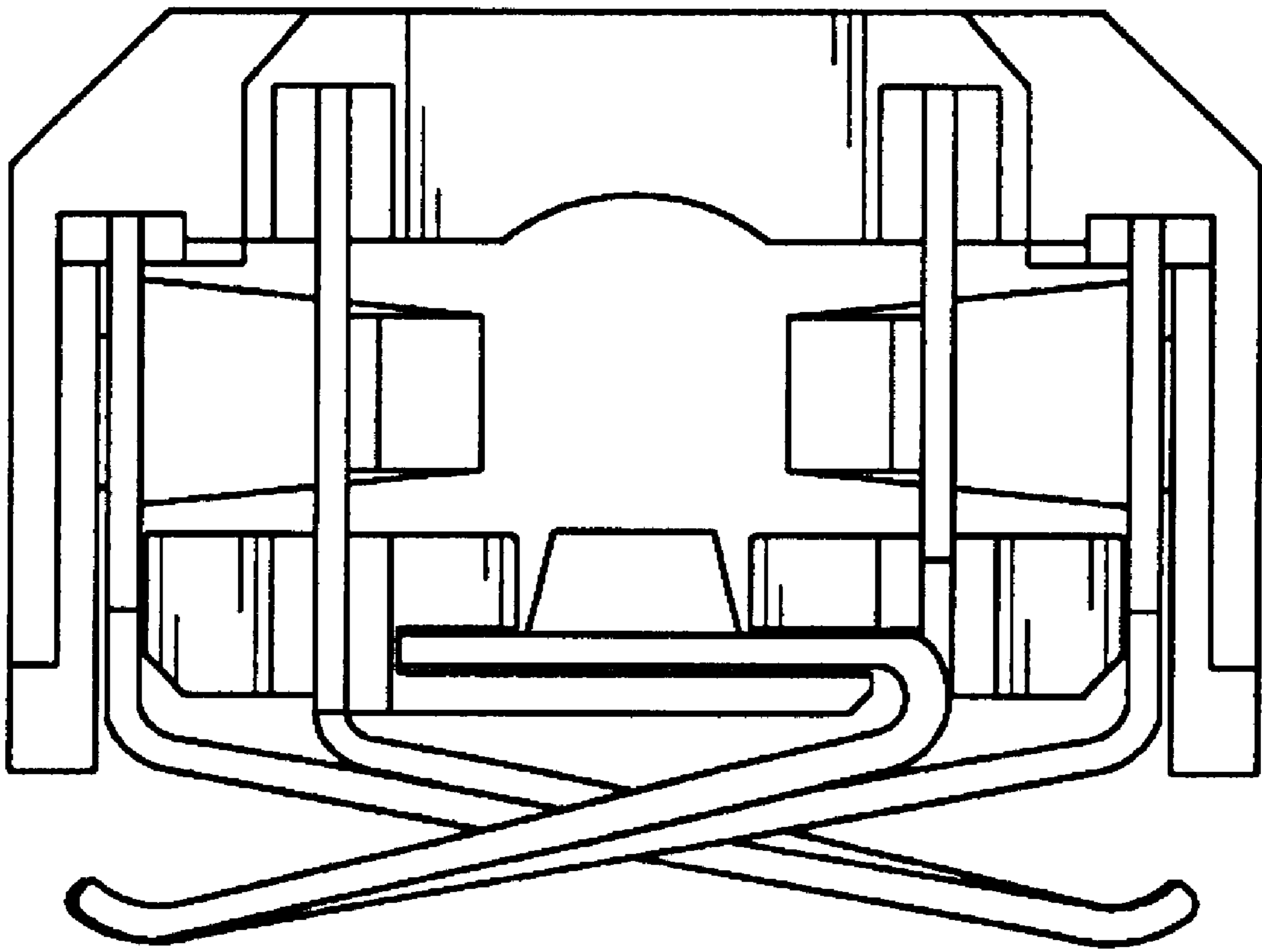


FIG. 2

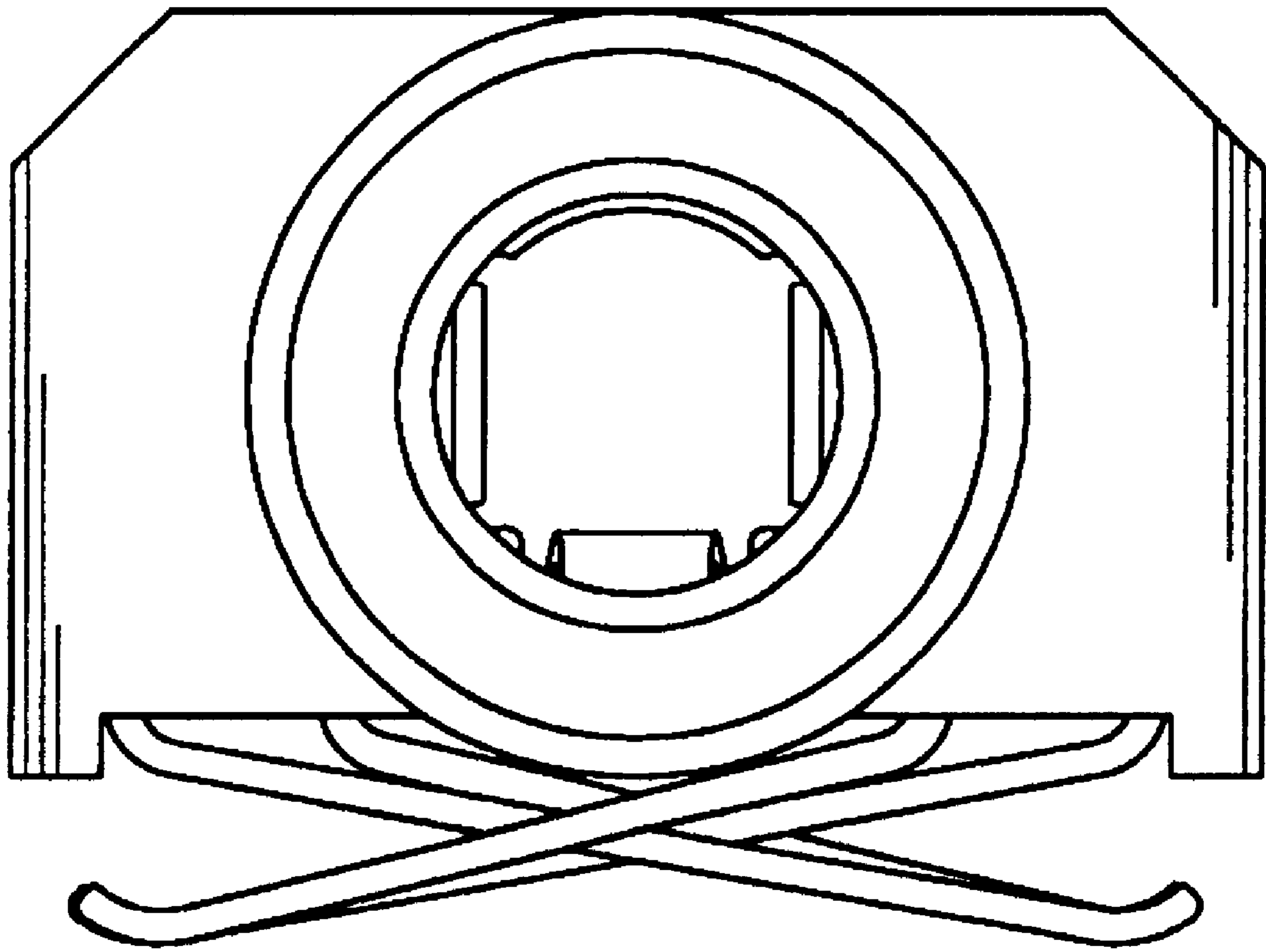


FIG. 3

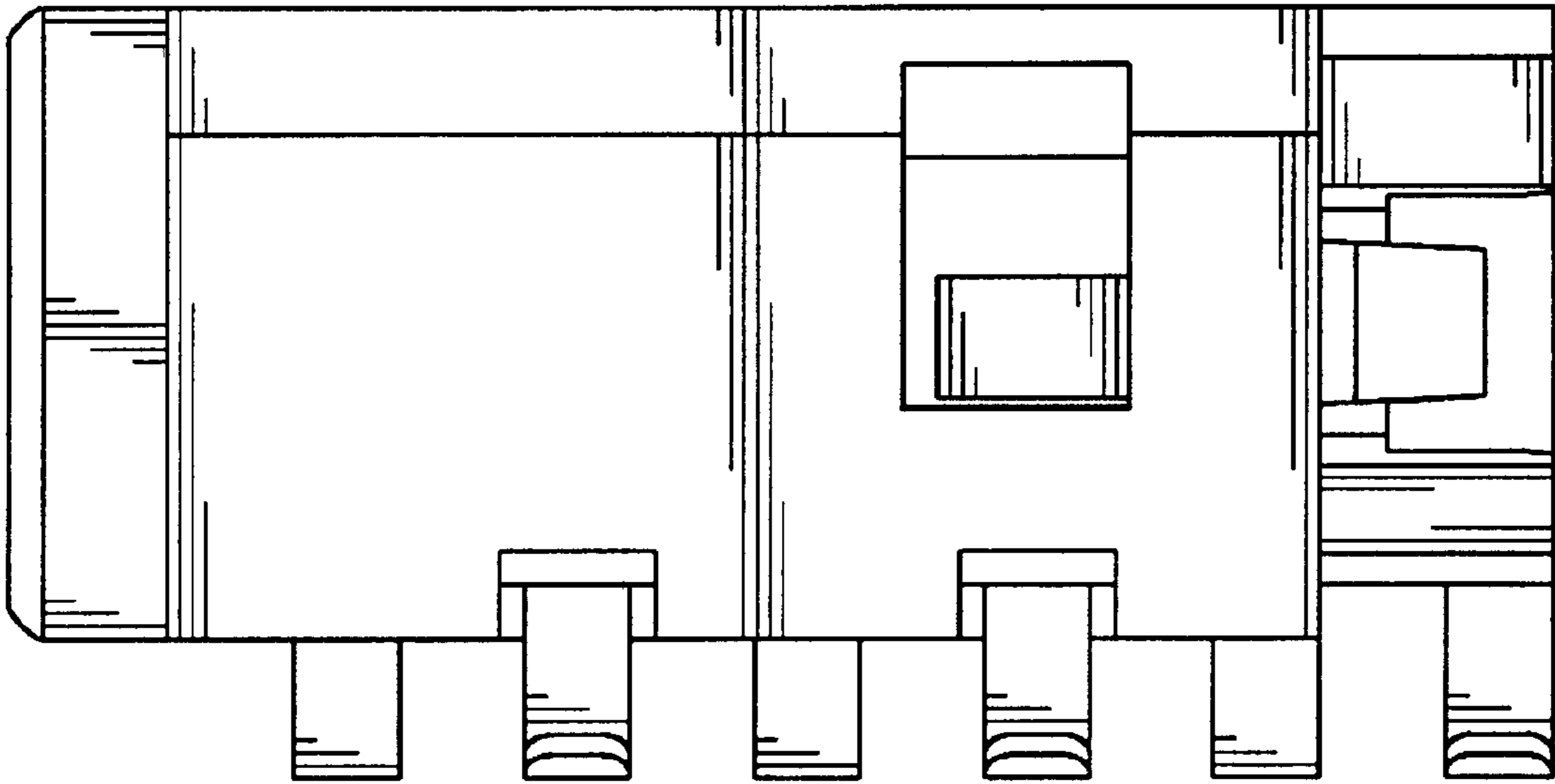


FIG. 4

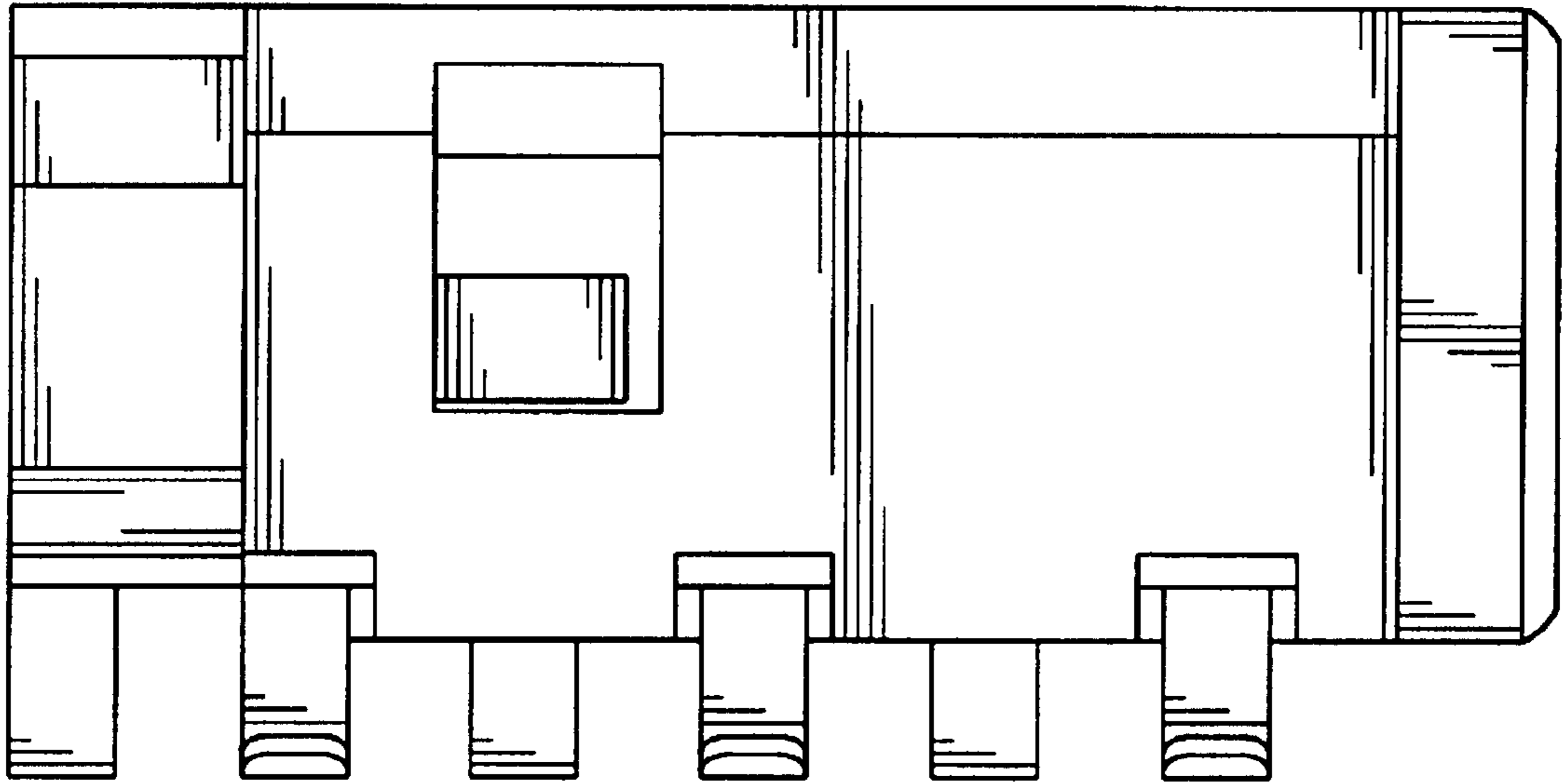


FIG. 5

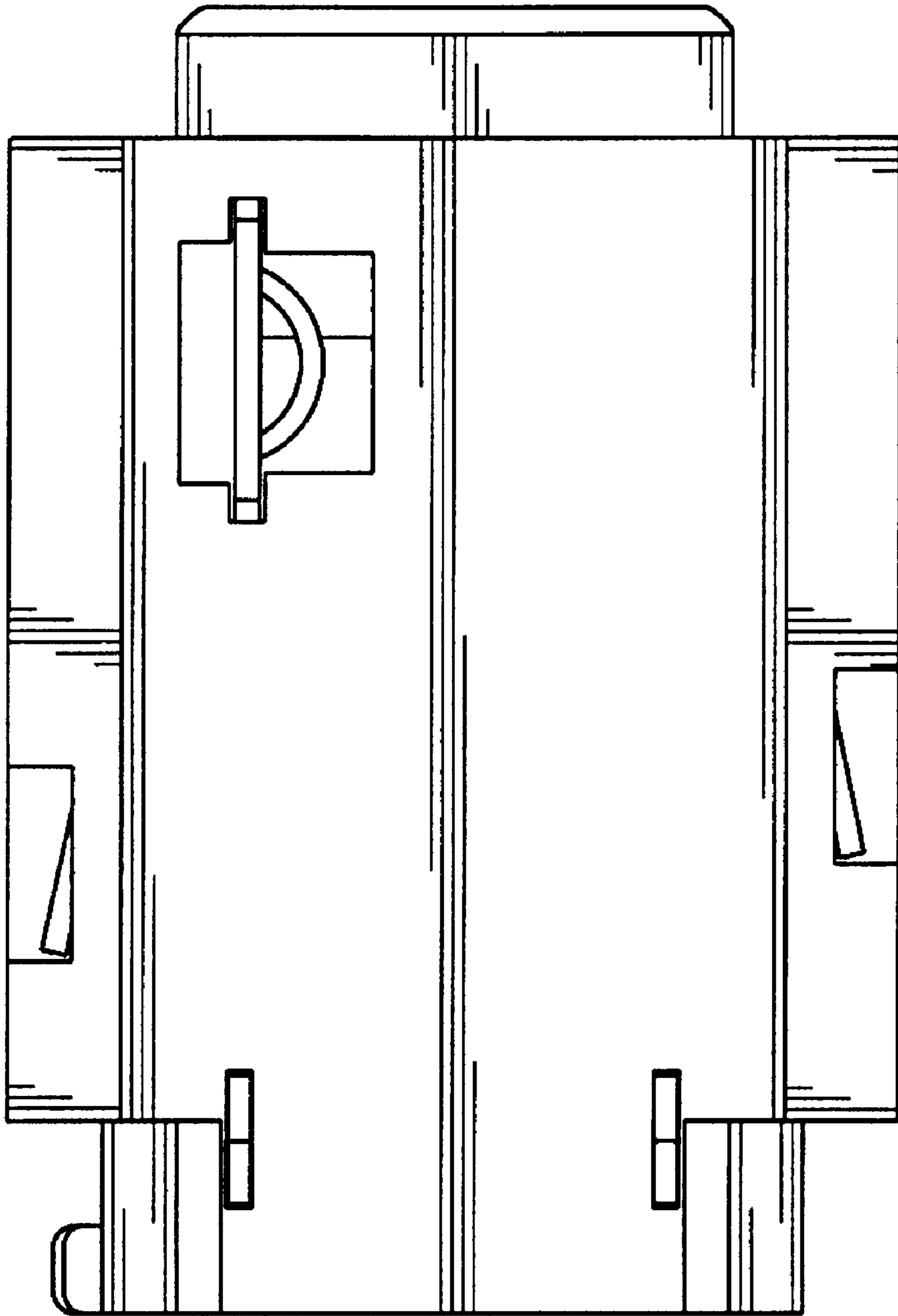


FIG. 6

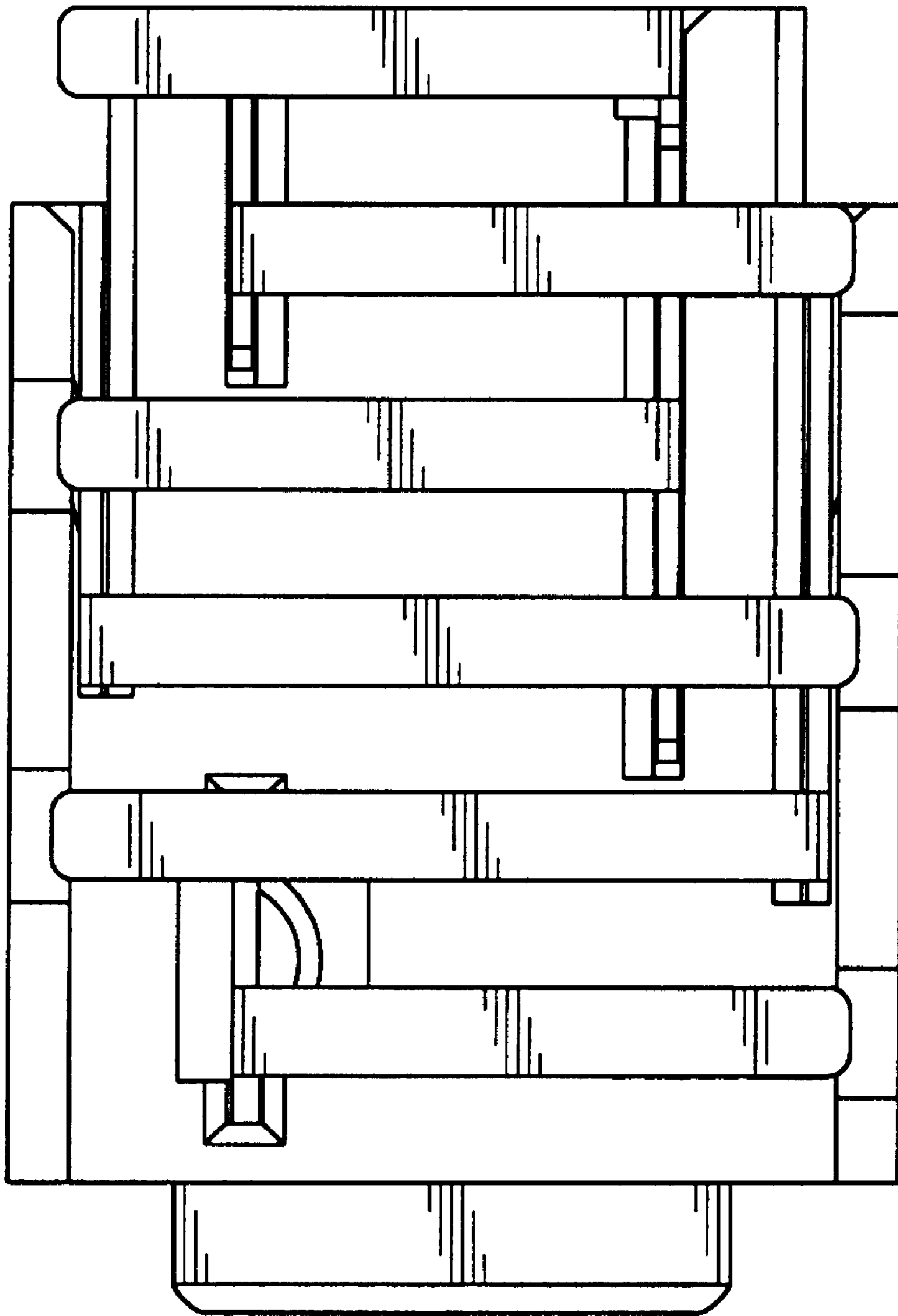


FIG. 7