



US00D449272B1

(12) **United States Design Patent**
Liang

(10) **Patent No.:** **US D449,272 S**

(45) **Date of Patent:** **** Oct. 16, 2001**

(54) **BATTERY TERMINAL CONNECTOR**

(76) **Inventor:** **Shih-Tsung Liang**, No. 10, Lane 31,
Ta-Feng St., Neitsou Tsun, Lu-Chu
Hsiang, Taoyuan County (TW)

(**) **Term:** **14 Years**

(21) **Appl. No.:** **29/133,636**

(22) **Filed:** **Dec. 5, 2000**

(51) **LOC (7) Cl.** **13-02**

(52) **U.S. Cl.** **D13/120**

(58) **Field of Search** D13/120; 439/762,
439/763, 764

(56) **References Cited**

U.S. PATENT DOCUMENTS

D. 438,173	*	2/2001	Liang	D13/120
1,858,288	*	5/1932	Terrell et al.	439/762
2,159,512	*	5/1939	Rich	439/762
2,161,692	*	6/1939	Andre	439/762
2,807,000	*	9/1957	Wilson, Jr.	439/762
3,230,499	*	1/1966	Haegert	439/763

4,636,025	*	1/1987	Norris	439/755
5,221,219	*	6/1993	Thomson	439/762
5,407,369	*	4/1995	Oster	439/762
5,707,258	*	1/1998	Pilotti	439/763

* cited by examiner

Primary Examiner—Joel Sincavage

(74) *Attorney, Agent, or Firm*—Rosenberg, Klein & Lee

(57) **CLAIM**

The ornamental design for a battery terminal connector, as shown and described.

DESCRIPTION

FIG. 1 is a perspective view of a battery terminal connector showing my new design;

FIG. 2 is a top plain view thereof;

FIG. 3 is a bottom plain view thereof;

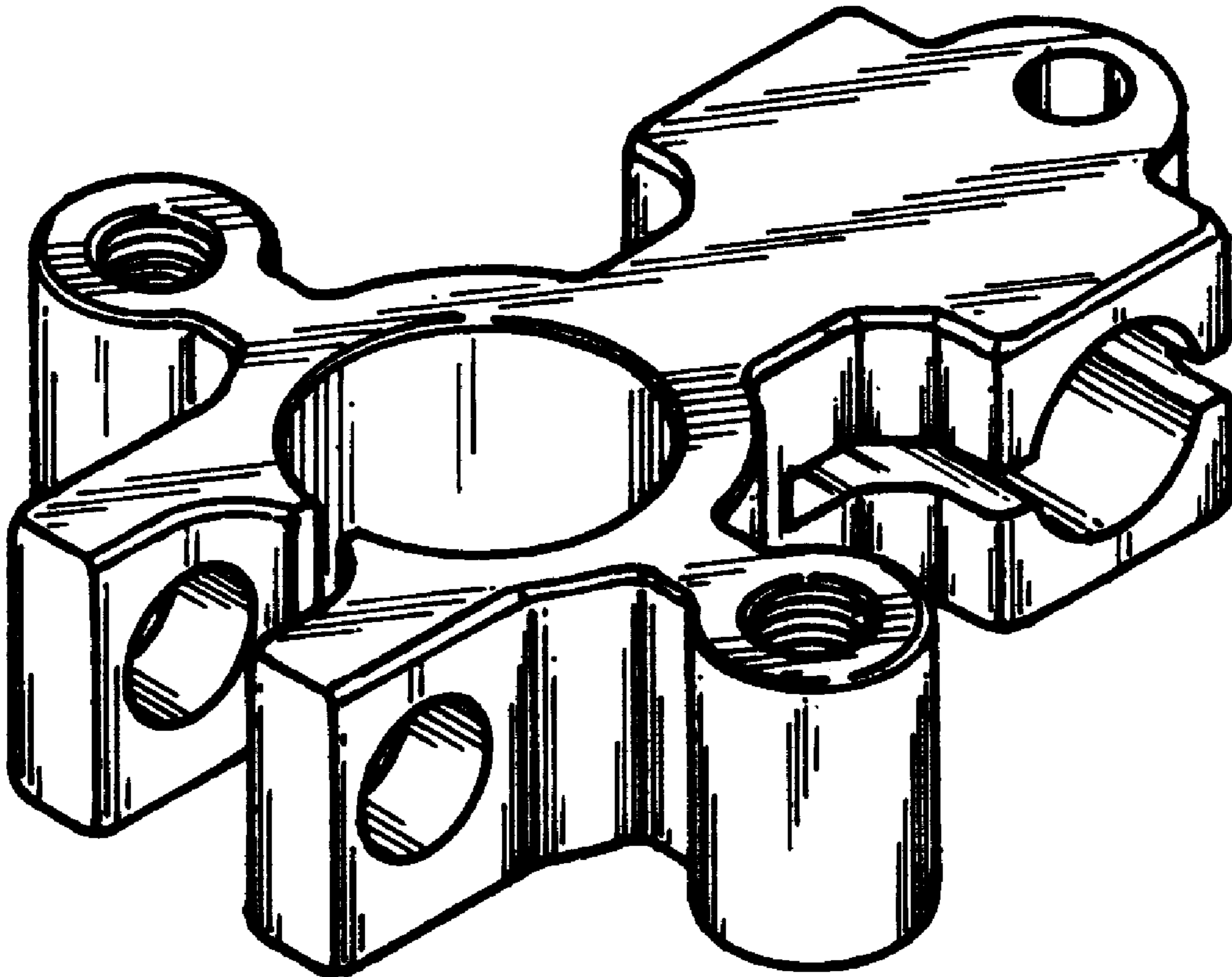
FIG. 4 is a front elevational view thereof;

FIG. 5 is a rear elevational view thereof;

FIG. 6 is a left side elevational view thereof; and,

FIG. 7 is a right side elevational view thereof.

1 Claim, 4 Drawing Sheets



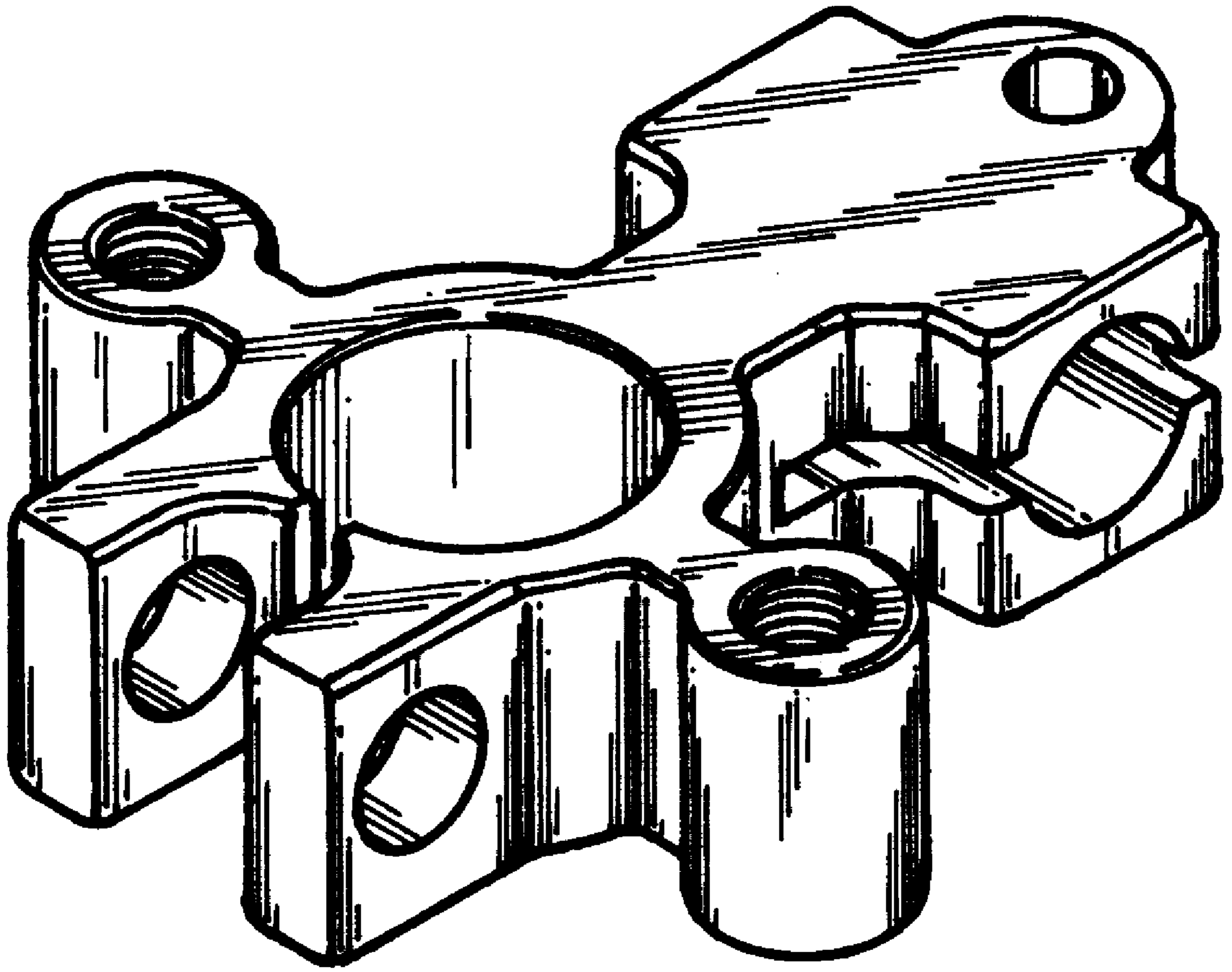


FIG. 1

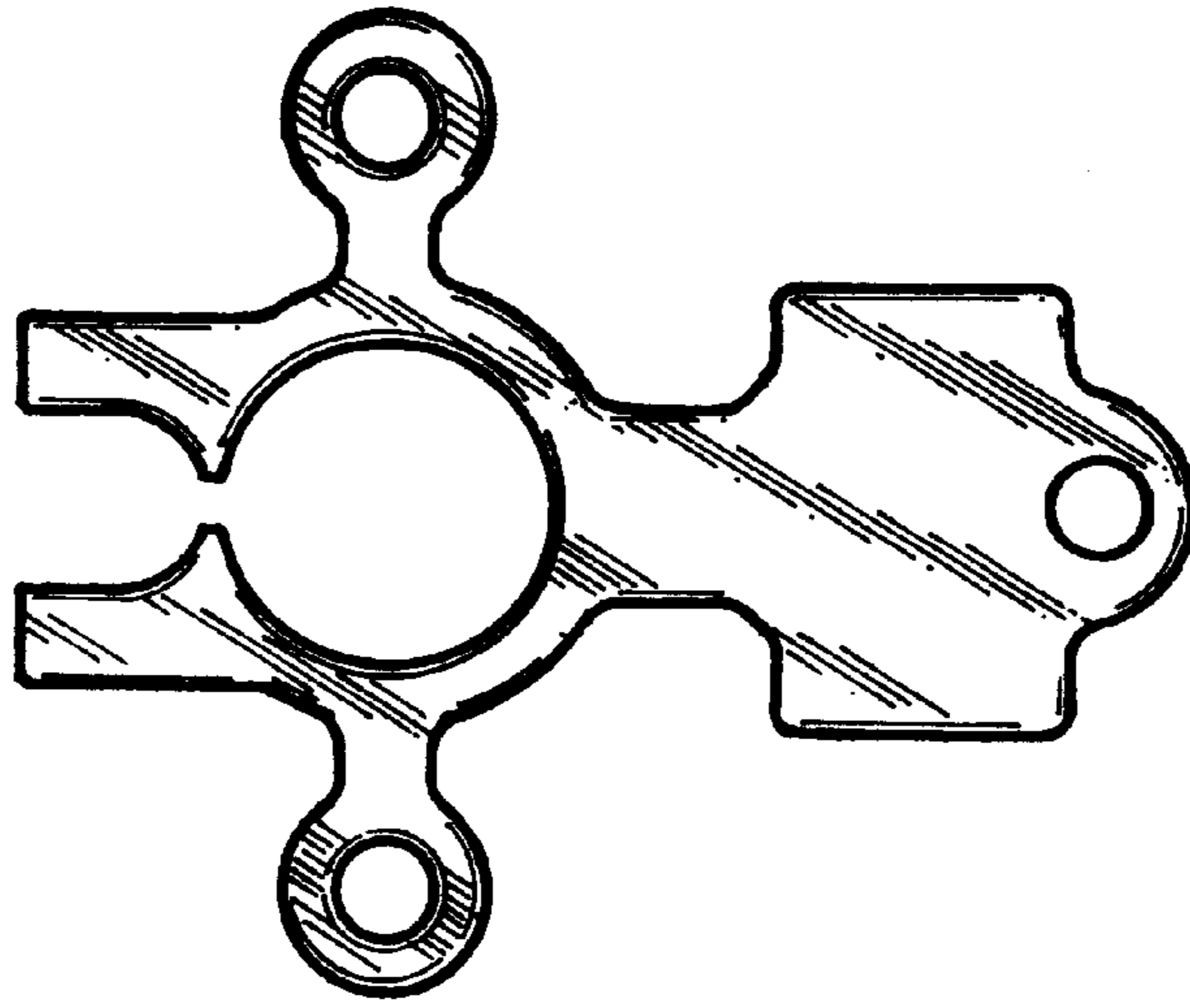


FIG. 2

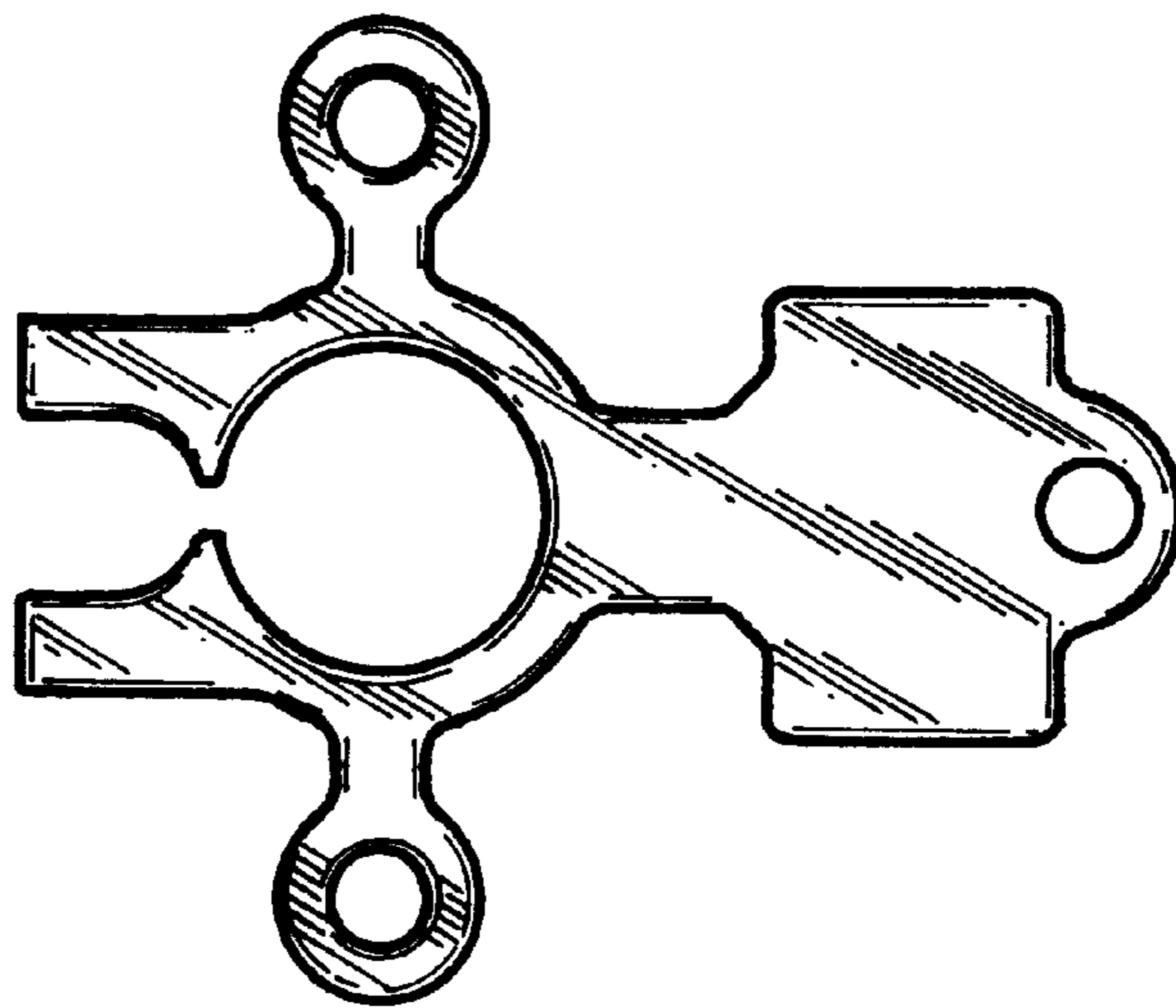


FIG. 3

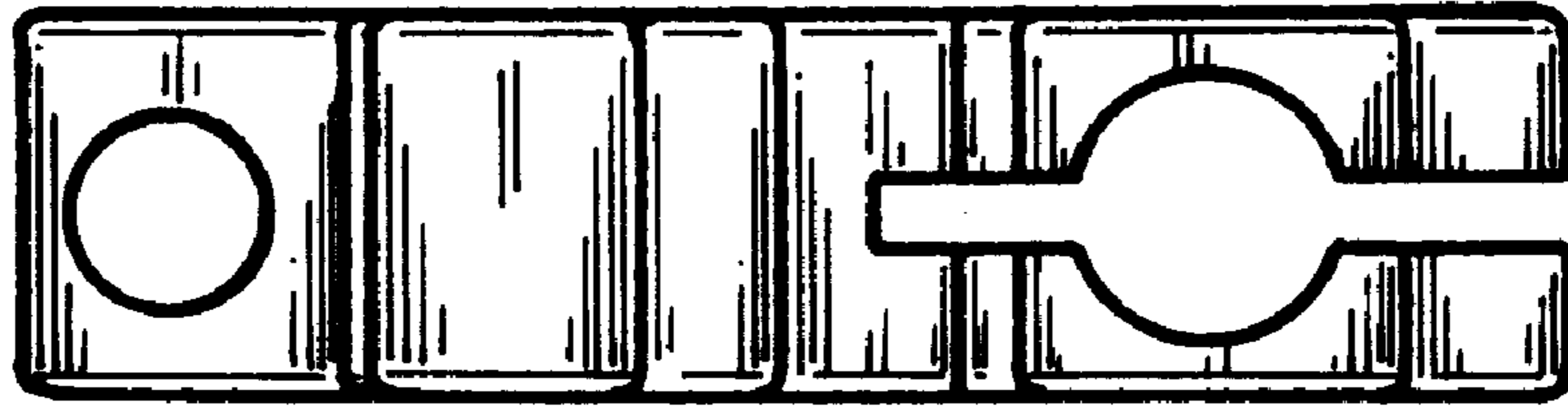


FIG. 4

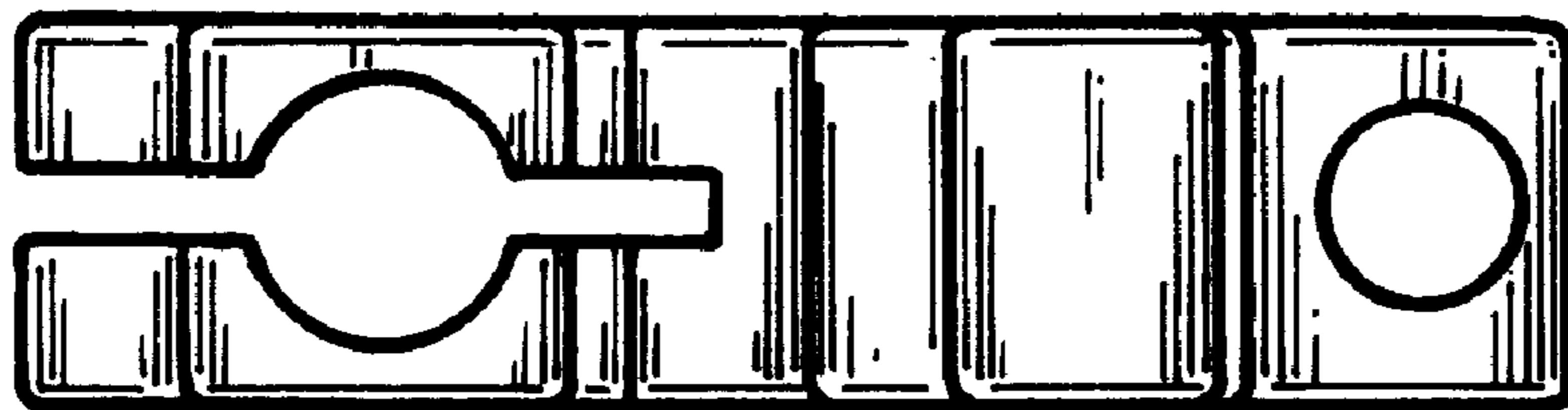


FIG. 5

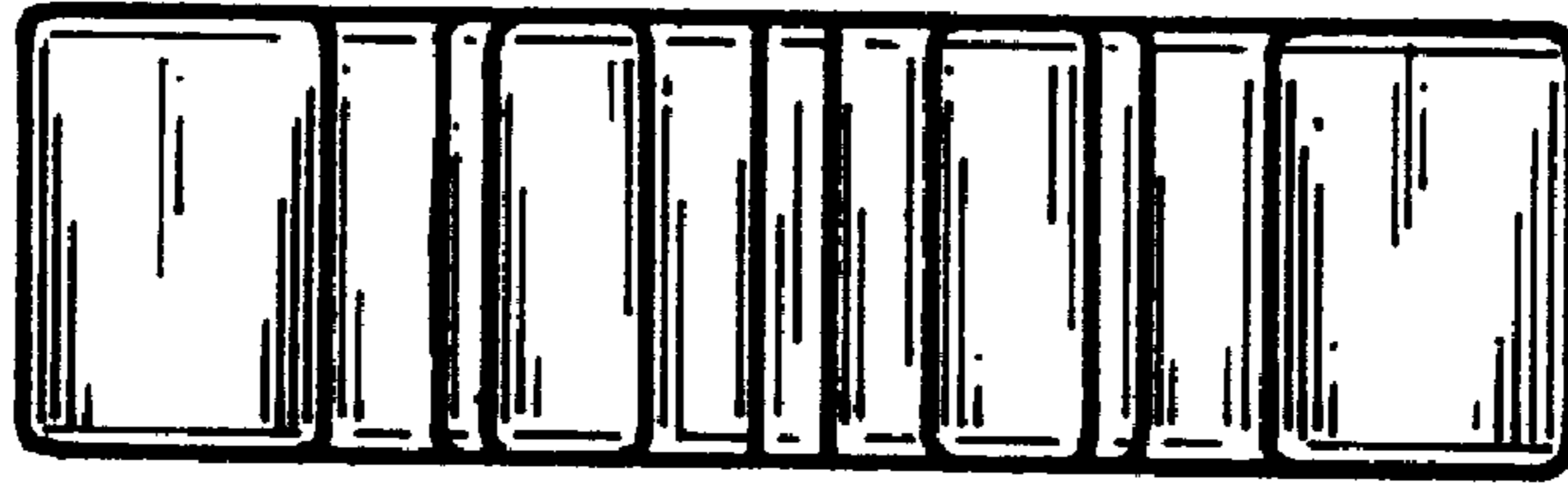


FIG. 6

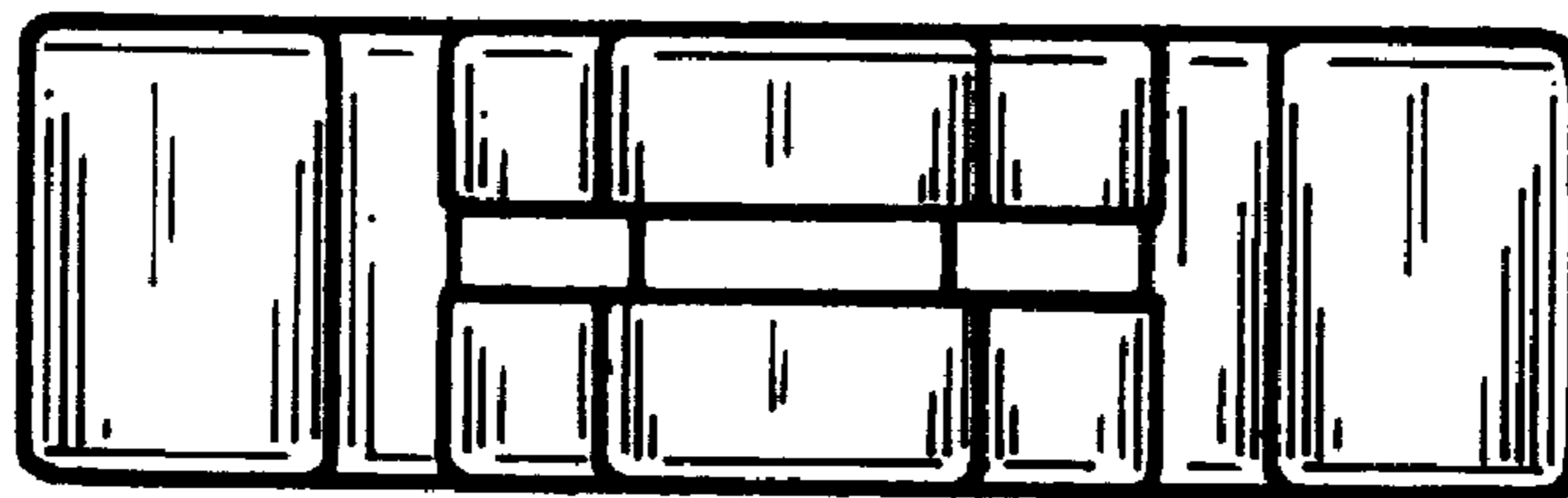


FIG. 7