



US00D449270B1

(12) **United States Design Patent**
Banks et al.

(10) **Patent No.:** **US D449,270 S**

(45) **Date of Patent:** **** Oct. 16, 2001**

(54) **BATTERY CHARGER**

5,705,910 * 1/1998 Kito et al. 320/132

(75) Inventors: **Nicholas Jon Banks; Robin Brown,**
both of Wiltshire (GB)

* cited by examiner

(73) Assignee: **Notetry Limited (GB)**

Primary Examiner—Joel Sincavage

(**) Term: **14 Years**

(74) *Attorney, Agent, or Firm*—Morrison & Foerster LLP

(21) Appl. No.: **29/117,495**

(57) **CLAIM**

(22) Filed: **Jan. 28, 2000**

The ornamental design for a battery charger, as shown and described.

(30) **Foreign Application Priority Data**

DESCRIPTION

Jul. 30, 1999 (GB) 2085412

FIG. 1 is a perspective view from above, front and one side of a battery charger of the design according to this invention. FIG. 2 is a view of one side of a battery charger of the design according to this invention.

(51) **LOC (7) Cl.** **13-02**

FIG. 3 is a view of the other side of a battery charger of the design according to this invention.

(52) **U.S. Cl.** **D13/107**

FIG. 4 is a rear view of a battery charger of the design according to this invention.

(58) **Field of Search** D13/107, 108;
320/107-115

FIG. 5 is a front view of a battery charger of the design according to this invention.

(56) **References Cited**

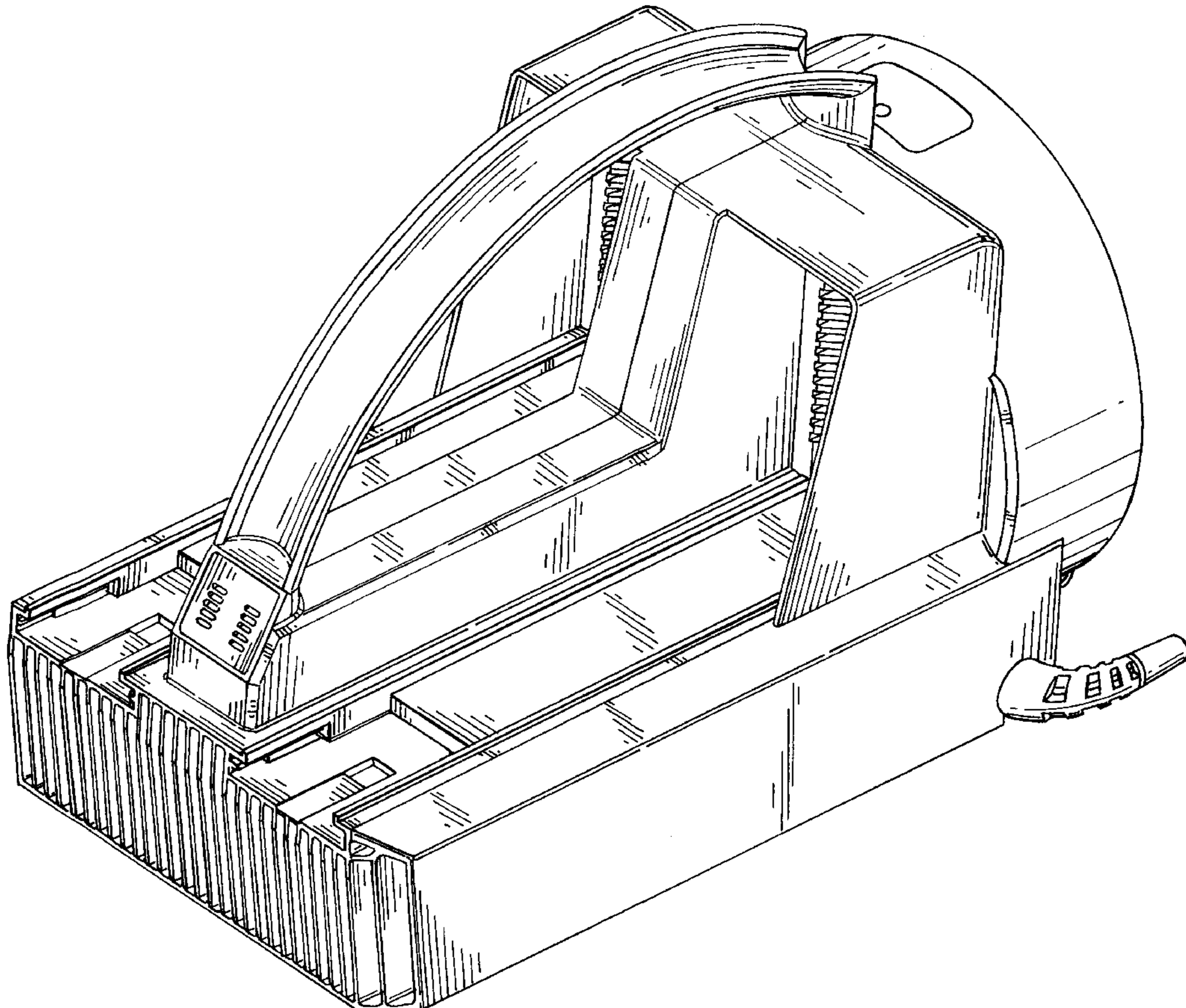
U.S. PATENT DOCUMENTS

- D. 215,303 * 9/1969 Carpenter D13/108
- D. 328,055 * 7/1992 Tien D13/107
- D. 337,986 * 8/1993 Brunner et al. D13/108
- D. 348,246 * 6/1994 Alfonso D13/107
- D. 375,936 * 11/1996 Palatov D13/108
- D. 402,258 * 12/1998 Kawakami D13/107

FIG. 6 is a plan view of a battery charger of the design according to this invention; and,

FIG. 7 is an underneath view of a battery charger of the design according to this invention.

1 Claim, 7 Drawing Sheets



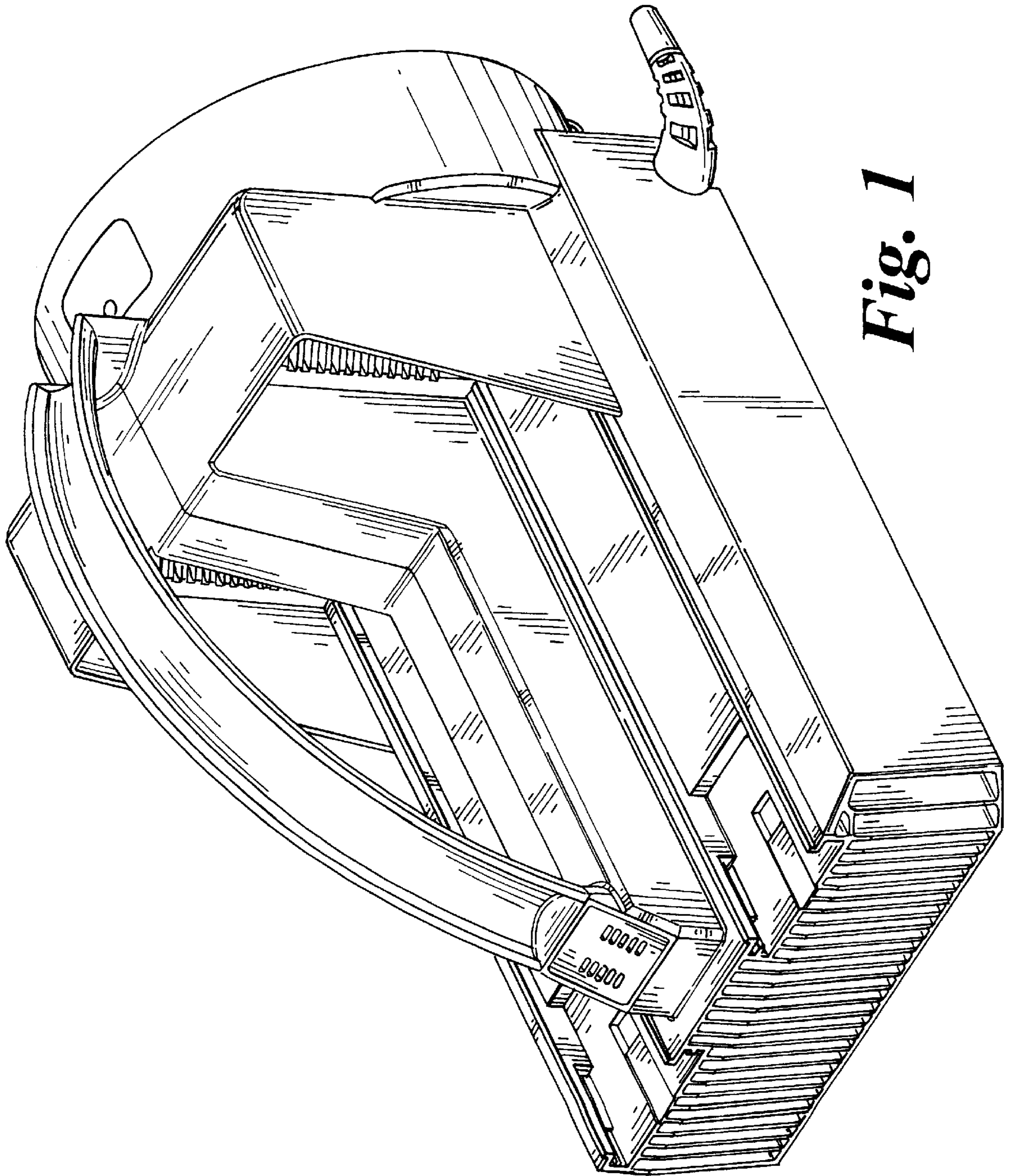


Fig. 1

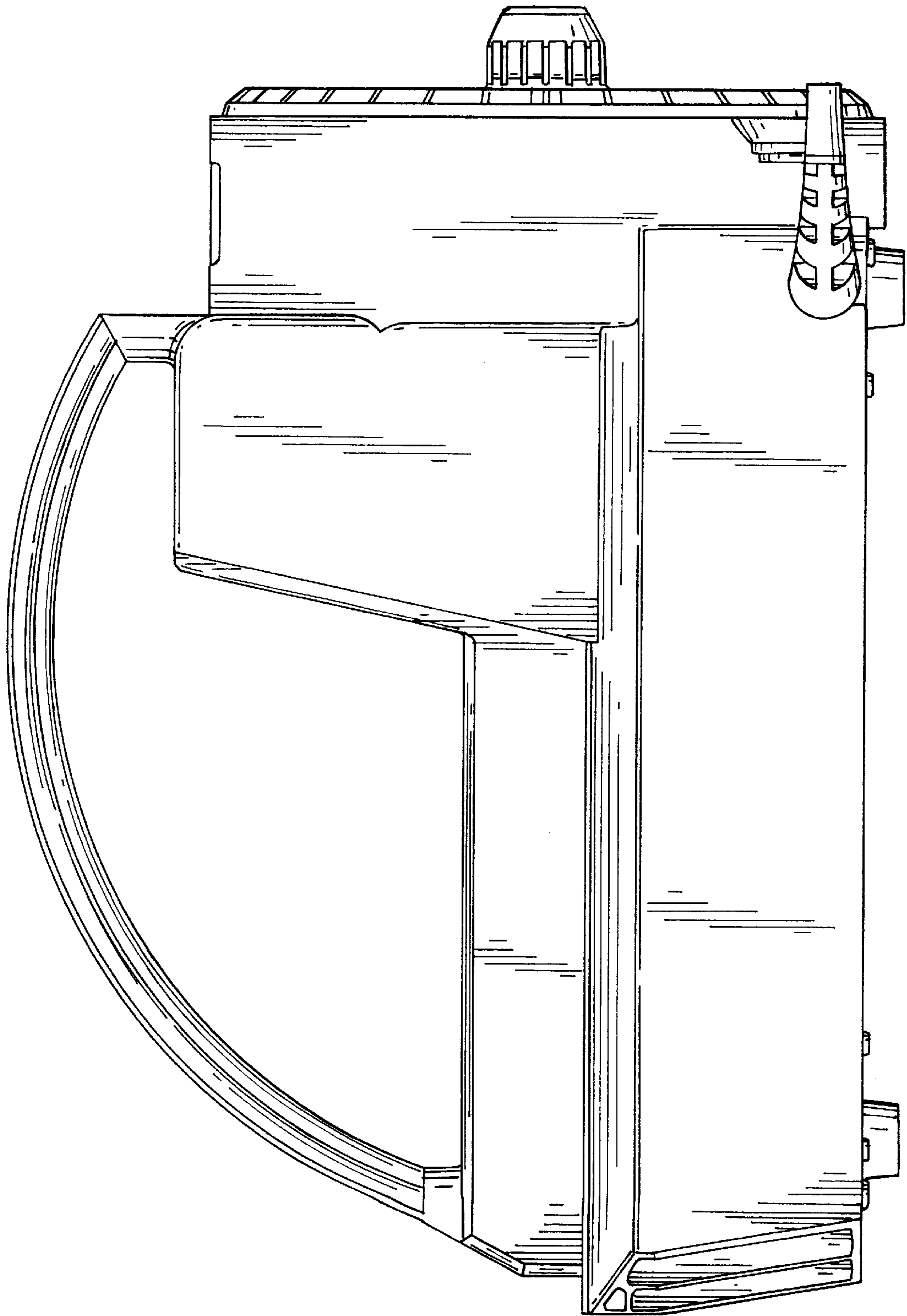


Fig. 2

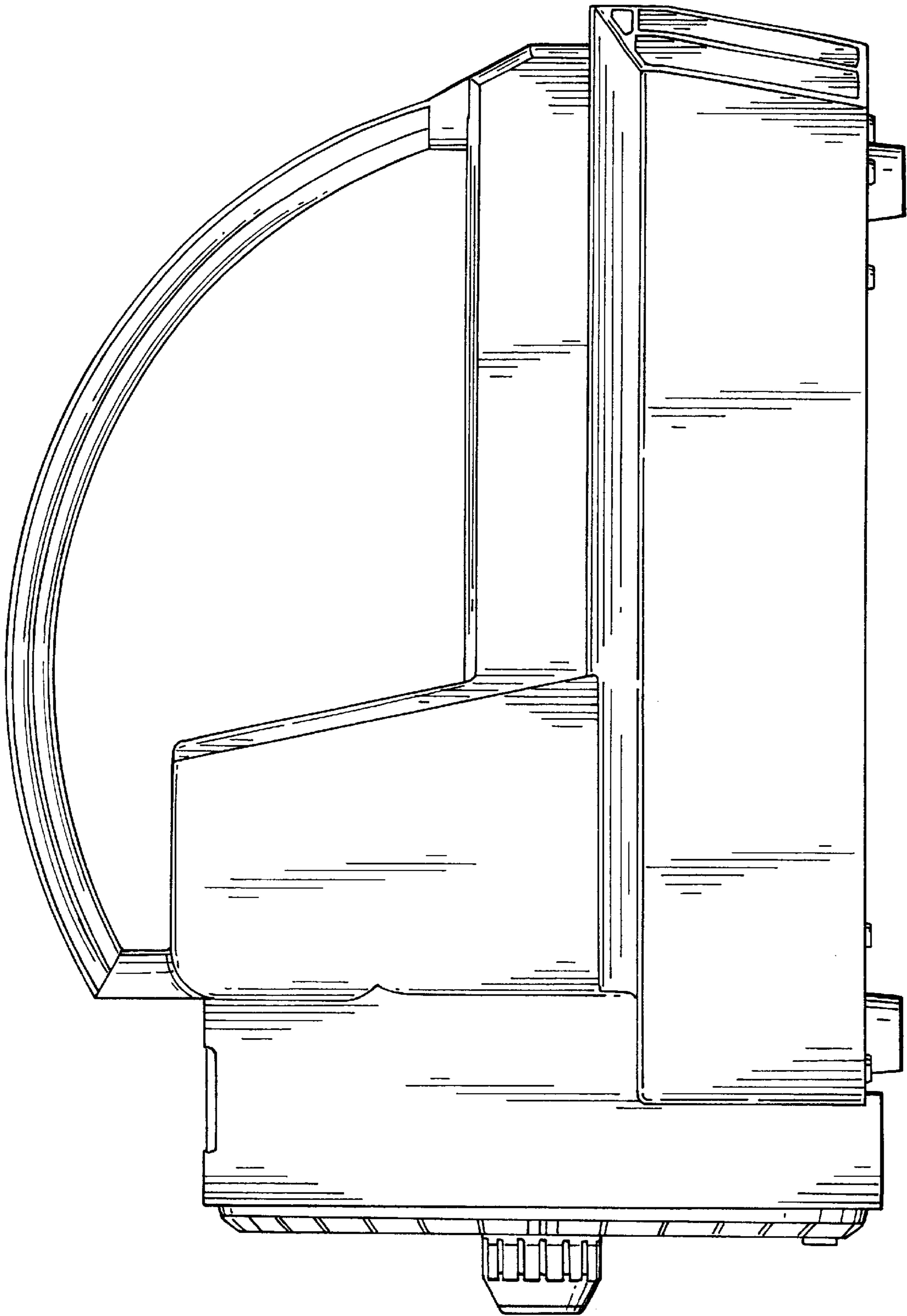


Fig. 3

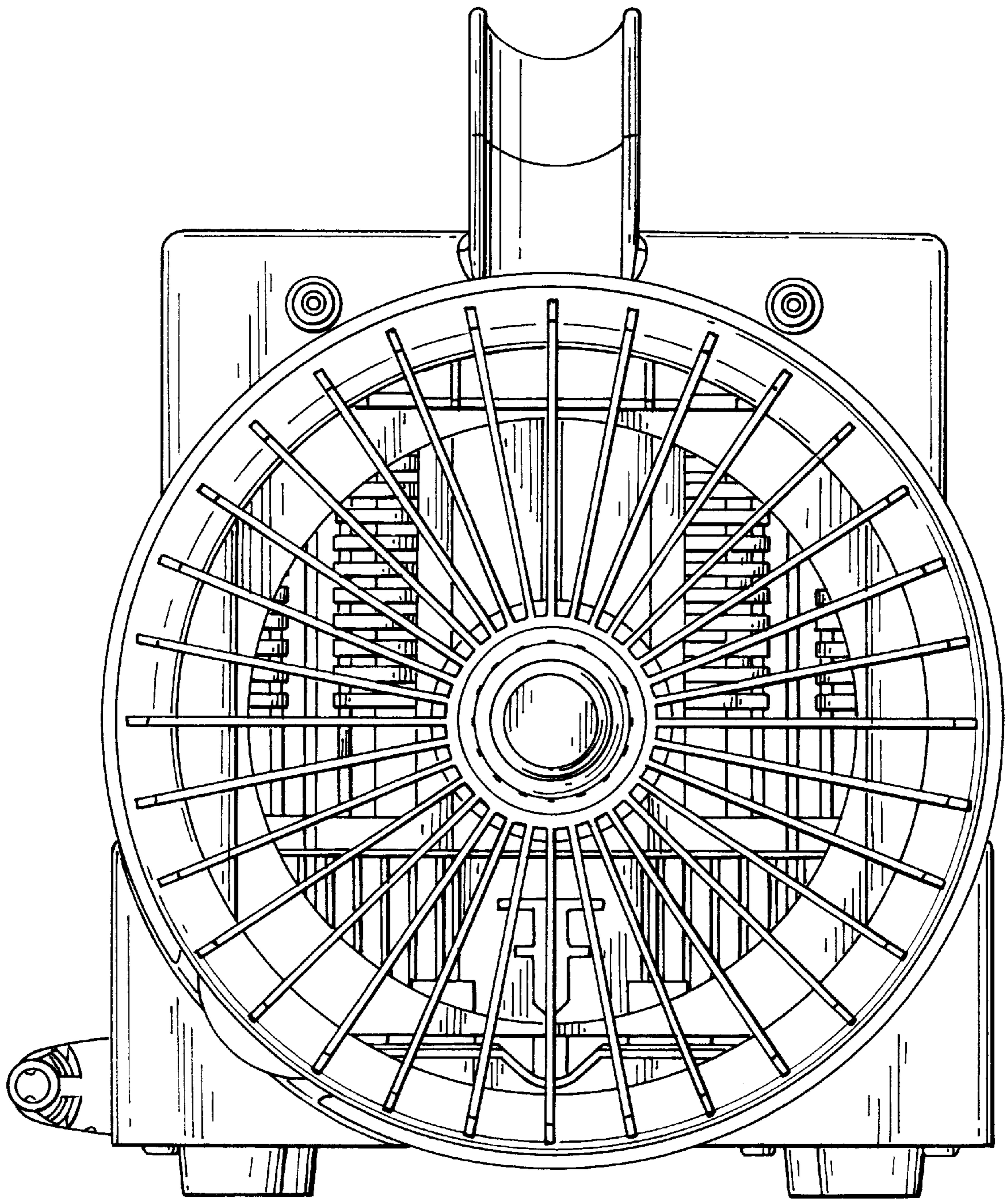


Fig. 4

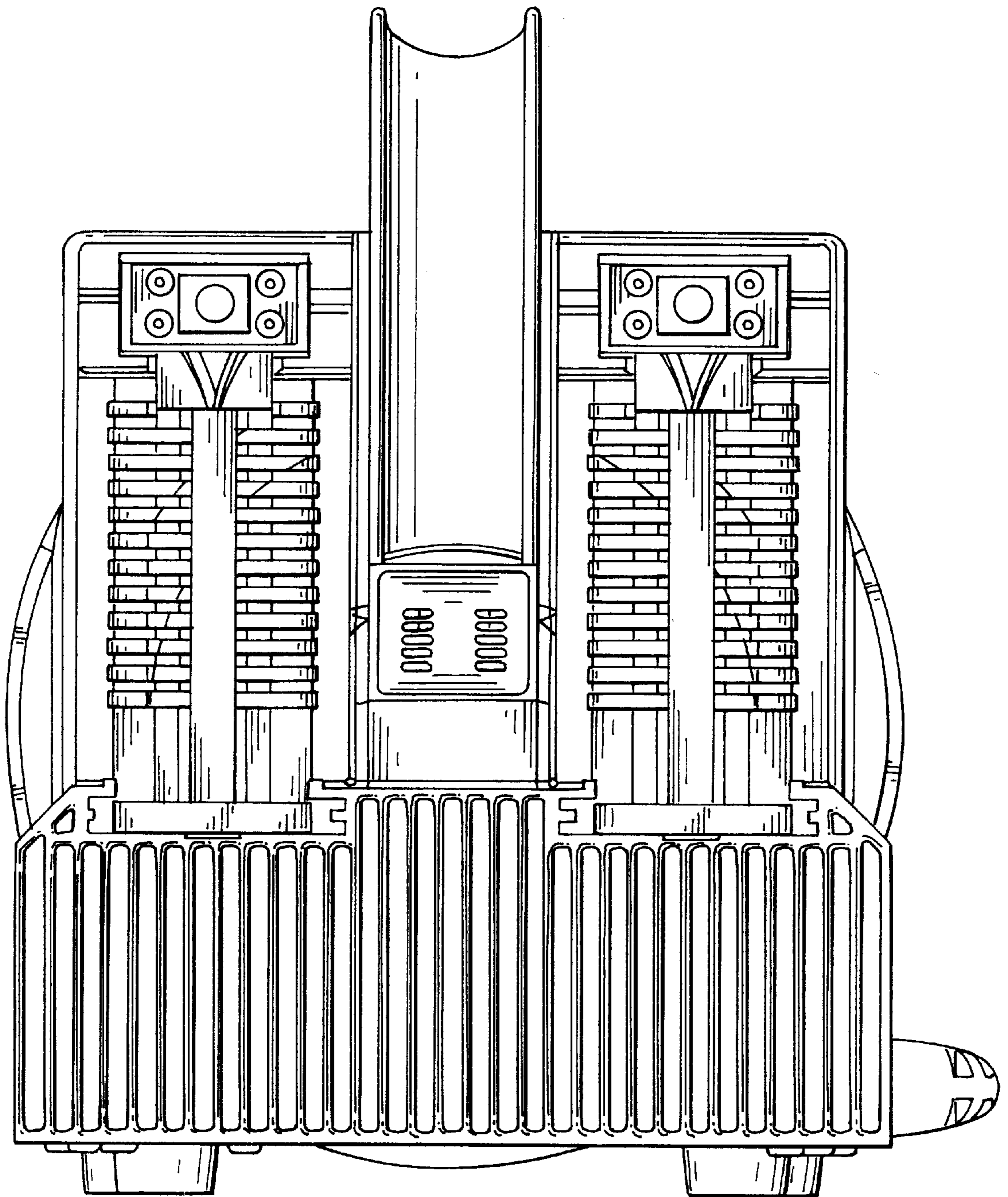


Fig. 5

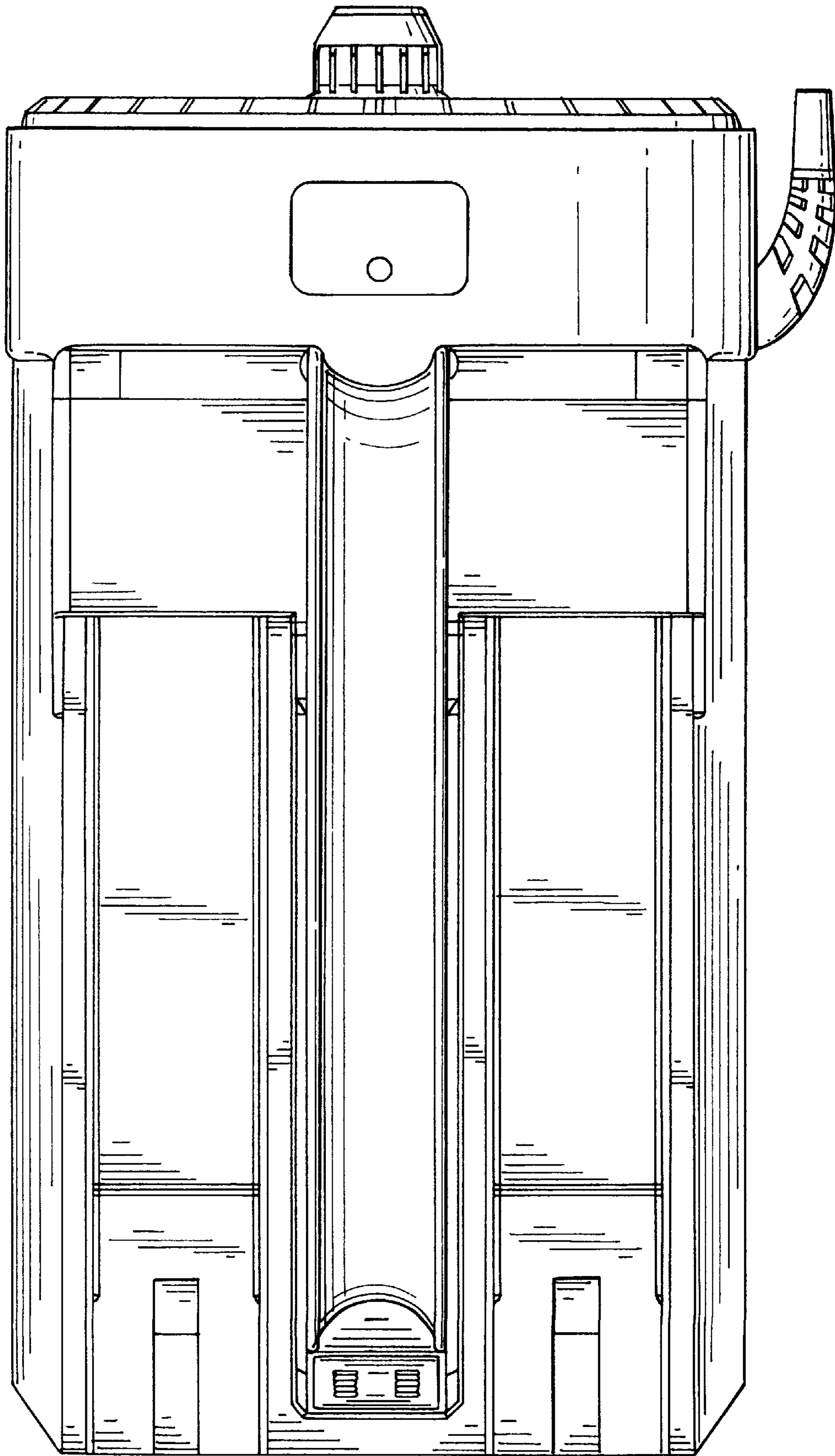


Fig. 6

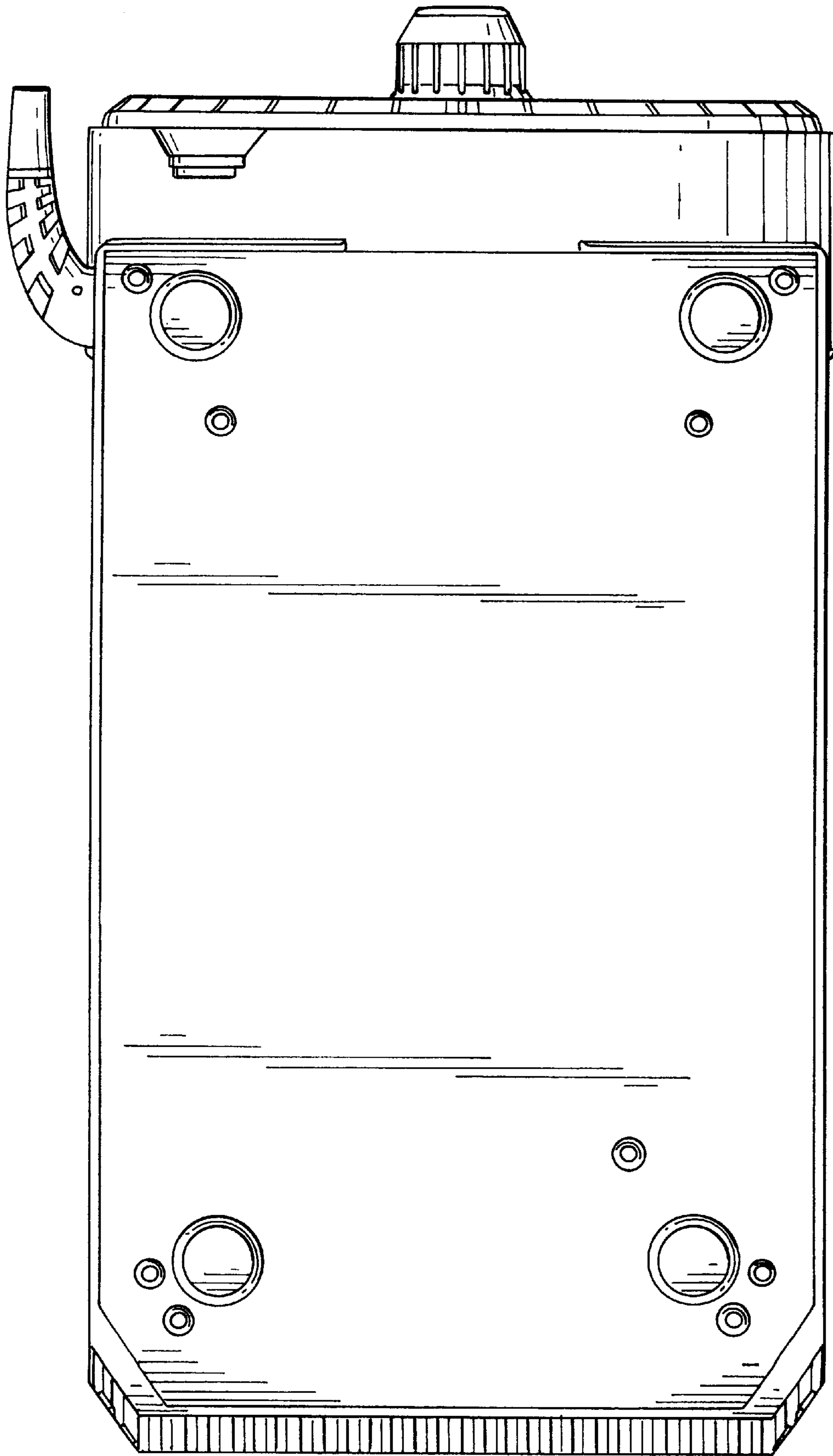


Fig. 7