



US00D449267B1

(12) **United States Design Patent**
Fitzgerald

(10) **Patent No.:** **US D449,267 S**

(45) **Date of Patent:** **** Oct. 16, 2001**

(54) **MOTOR VEHICLE WHEEL FRONT FACE**

(75) **Inventor:** **Kevin Fitzgerald**, Long Beach, CA
(US)

(73) **Assignee:** **KMC Products, Inc.**, Riverside, CA
(US)

(**) **Term:** **14 Years**

(21) **Appl. No.:** **29/124,503**

(22) **Filed:** **Jun. 6, 2000**

(51) **LOC (7) Cl.** **12-16**

(52) **U.S. Cl.** **D12/211**

(58) **Field of Search** D12/204-211;
301/37.1, 64.1, 65

D. 418,798	*	1/2000	Muzzarelli et al.	D12/211
D. 419,513	*	1/2000	Hartanto	D12/209
D. 433,987	*	11/2000	Couzyn et al.	D12/211
D. 435,005	*	12/2000	Chung	D12/209
D. 436,339	*	1/2001	Fitzgerald	D12/209
D. 436,569	*	1/2001	Brown et al.	D12/209
D. 438,157	*	2/2001	Donikogu	D12/209
D. 438,165	*	2/2001	Echazabal	D12/211
D. 438,504	*	3/2001	Muzzarelli	D12/211

* cited by examiner

Primary Examiner—Stacia Cadmus

(74) *Attorney, Agent, or Firm*—Dykema Gossett PLLC

(57) **CLAIM**

The ornamental design for a motor vehicle wheel front face, as shown and described.

DESCRIPTION

FIG. 1 is a front perspective view of a motor vehicle wheel front face showing my new design; and, FIG. 2 is a front elevational view of the wheel shown in FIG. 1.

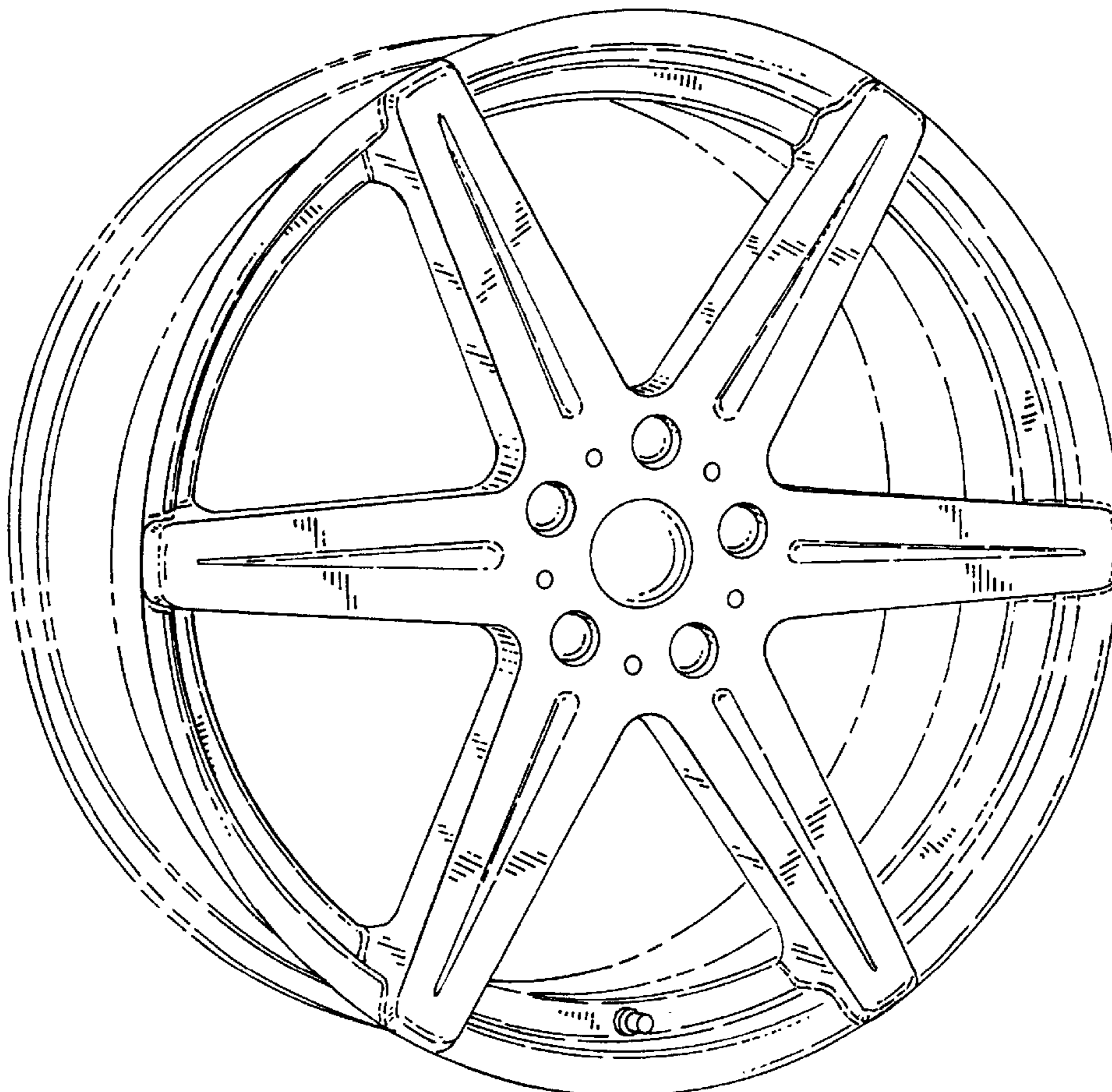
The phantom line showing of environment is for illustrative purposes only and forms no part of the claimed design.

1 Claim, 2 Drawing Sheets

(56) **References Cited**

U.S. PATENT DOCUMENTS

D. 255,233	*	6/1980	Watanabe	D12/211
D. 383,429	*	9/1997	Muzzarelli et al.	D12/211
D. 388,046	*	12/1997	Roesianto	D12/209
D. 410,618	*	6/1999	Hussaini et al.	D12/211
D. 413,298	*	8/1999	Hussaini et al.	D12/211
D. 416,534	*	11/1999	Couzyn et al.	D12/211



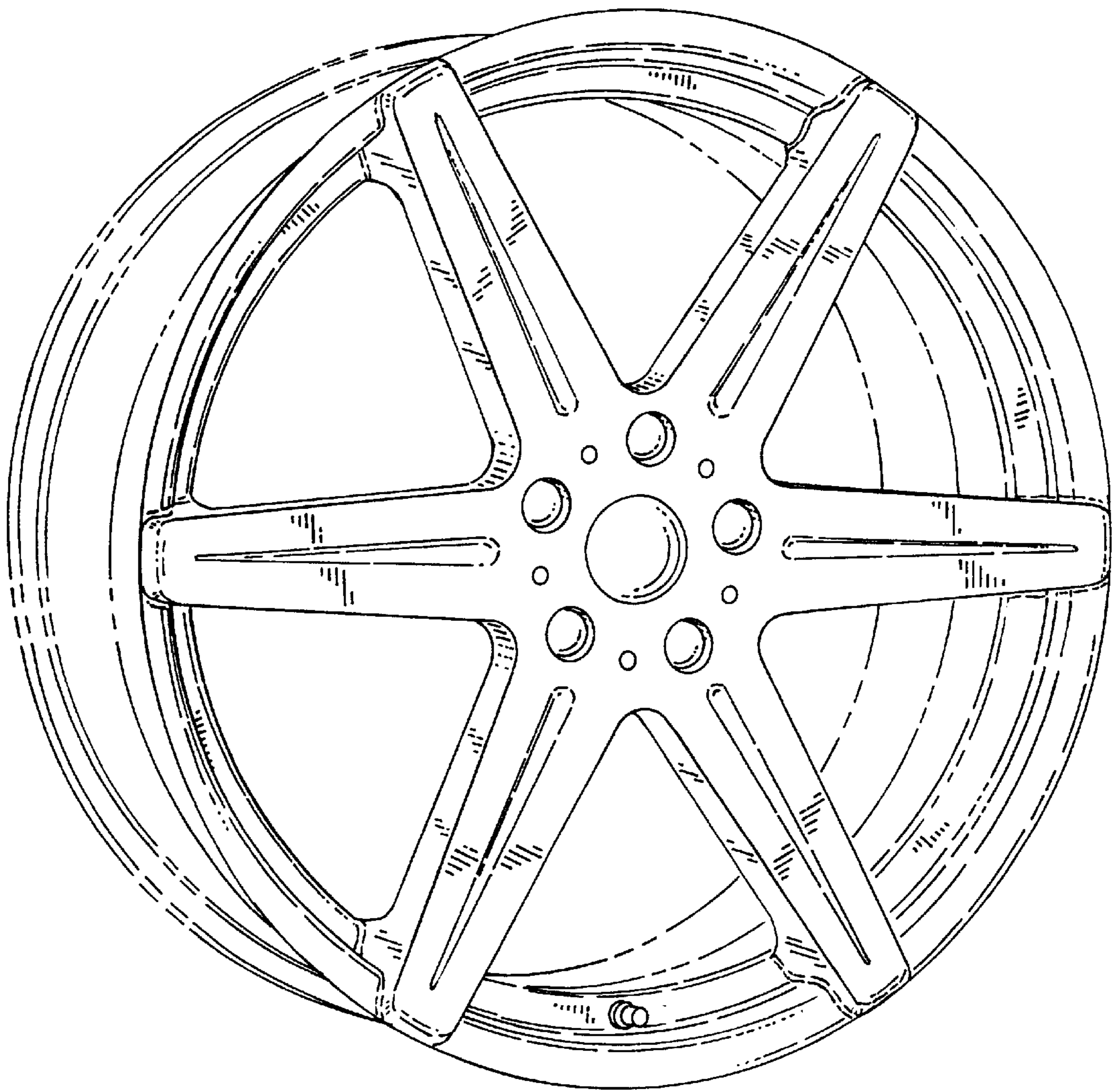


FIG. 1

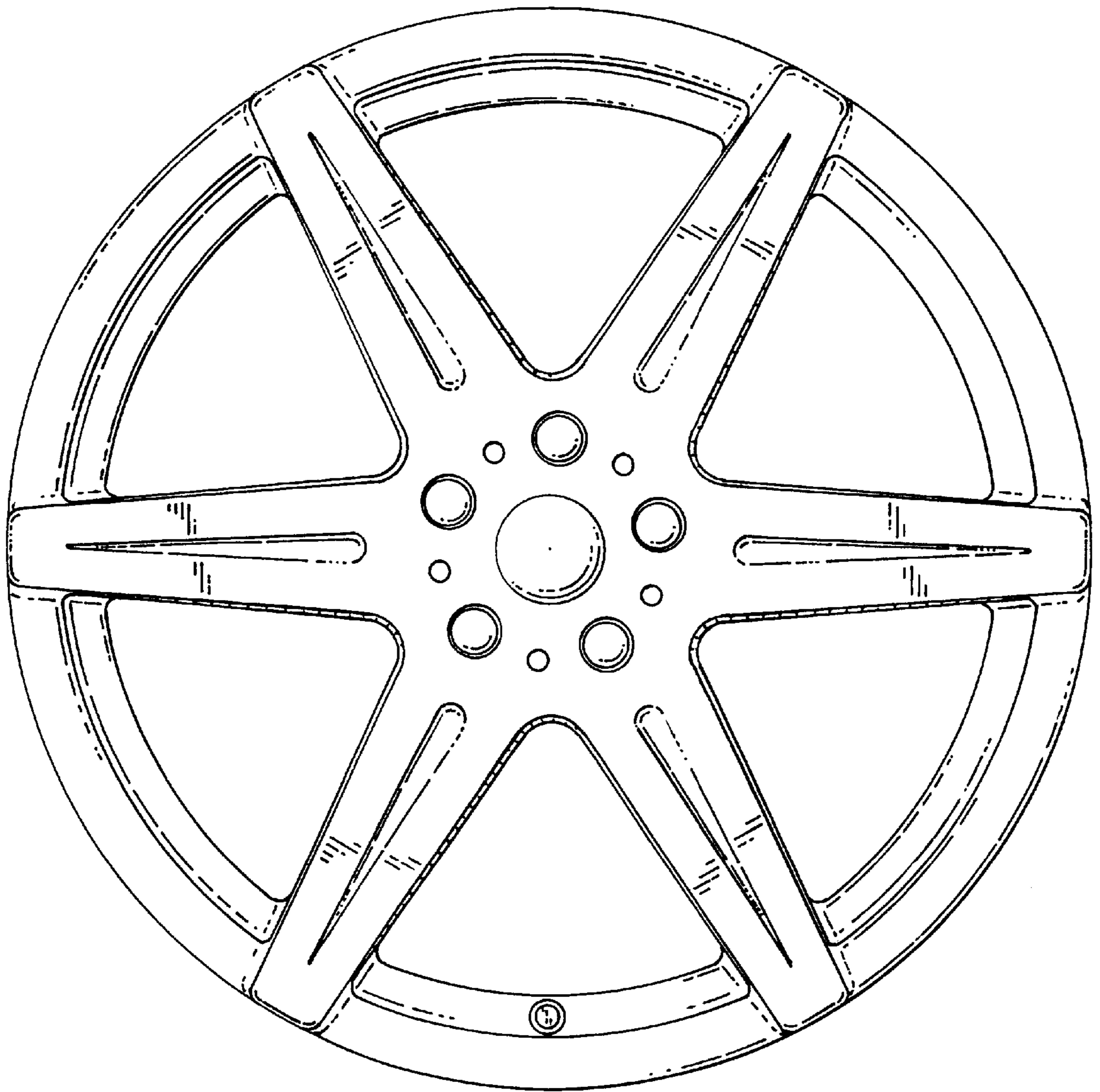


FIG. 2