



US00D449265B1

(12) **United States Design Patent**
Hull

(10) **Patent No.:** **US D449,265 S**

(45) **Date of Patent:** **** Oct. 16, 2001**

(54) **VEHICLE WHEEL**

D. 437,278 * 2/2001 Sulahian D12/211
D. 438,504 * 3/2001 Muzzarelli D12/211

(75) Inventor: **Jon Hull**, Huntington Beach, CA (US)

* cited by examiner

(73) Assignee: **Mitsubishi Jidosha Kogyo Kabushiki Kaisha**, Tokyo (JP)

Primary Examiner—Stacia Cadmus

(**) Term: **14 Years**

(57) **CLAIM**

(21) Appl. No.: **29/135,398**

The ornamental design for a vehicle wheel, as shown and described.

(22) Filed: **Jan. 12, 2001**

DESCRIPTION

(51) **LOC (7) Cl.** **12-16**

FIG. 1 is a front right perspective view of a vehicle wheel constructed according to my novel design;

(52) **U.S. Cl.** **D12/204**

FIG. 2 is a front view thereof;

(58) **Field of Search** D12/204-211;
301/37.1, 64.1, 65

FIG. 3 is a front left perspective view thereof; and,

FIG. 4 is a left view thereof.

(56) **References Cited**

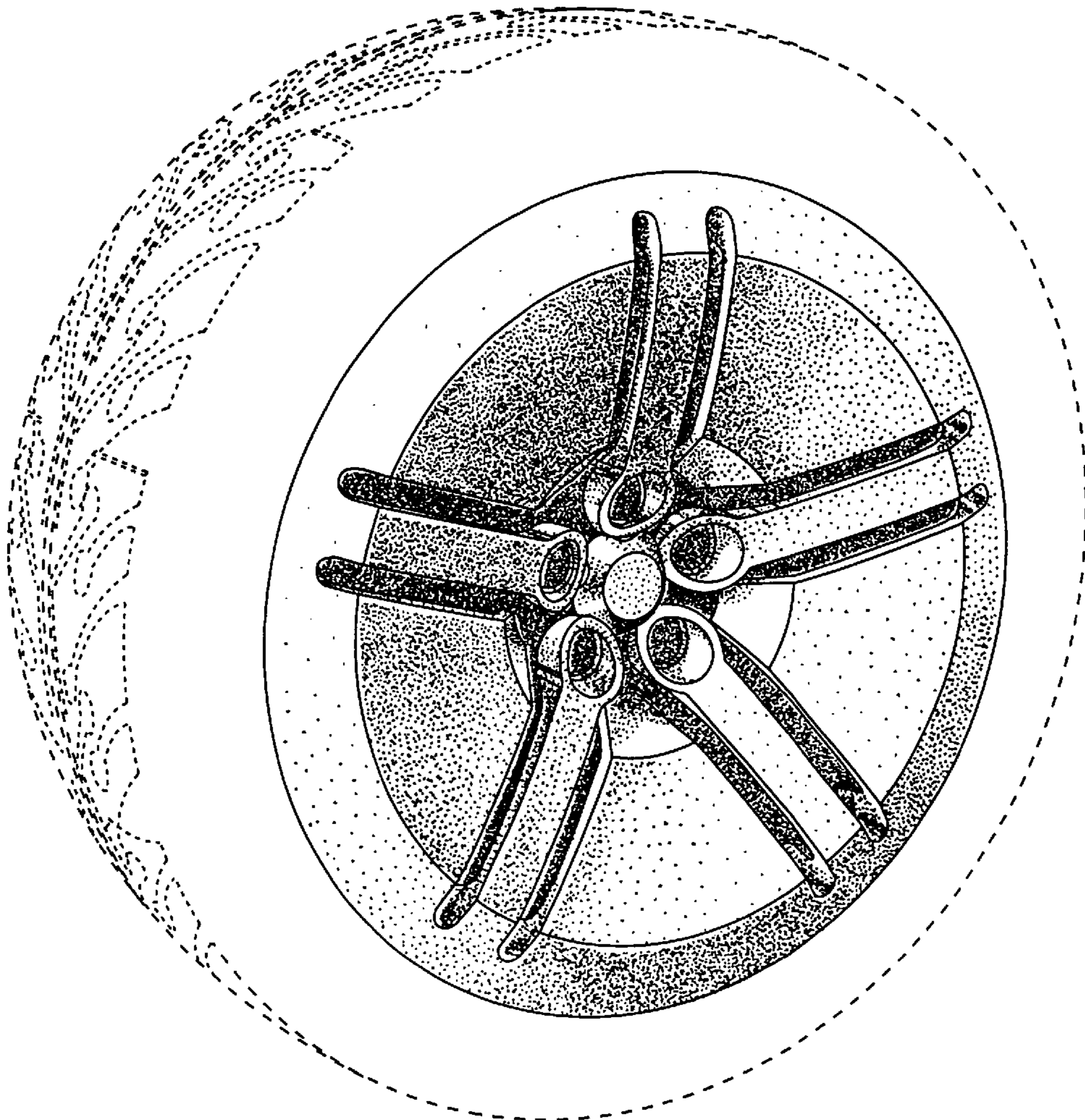
The broken lines showing of environmental structure in FIGS. 1-4 of the drawings are for illustrative purposes only and form no part of the claimed design.

U.S. PATENT DOCUMENTS

- D. 218,815 * 9/1970 Powell D12/204
- D. 235,253 * 6/1975 May D12/211
- D. 392,611 * 3/1998 Echazabal et al. D12/211

A right side view has been omitted because this view is identical to the left view shown in FIG. 4.

1 Claim, 4 Drawing Sheets



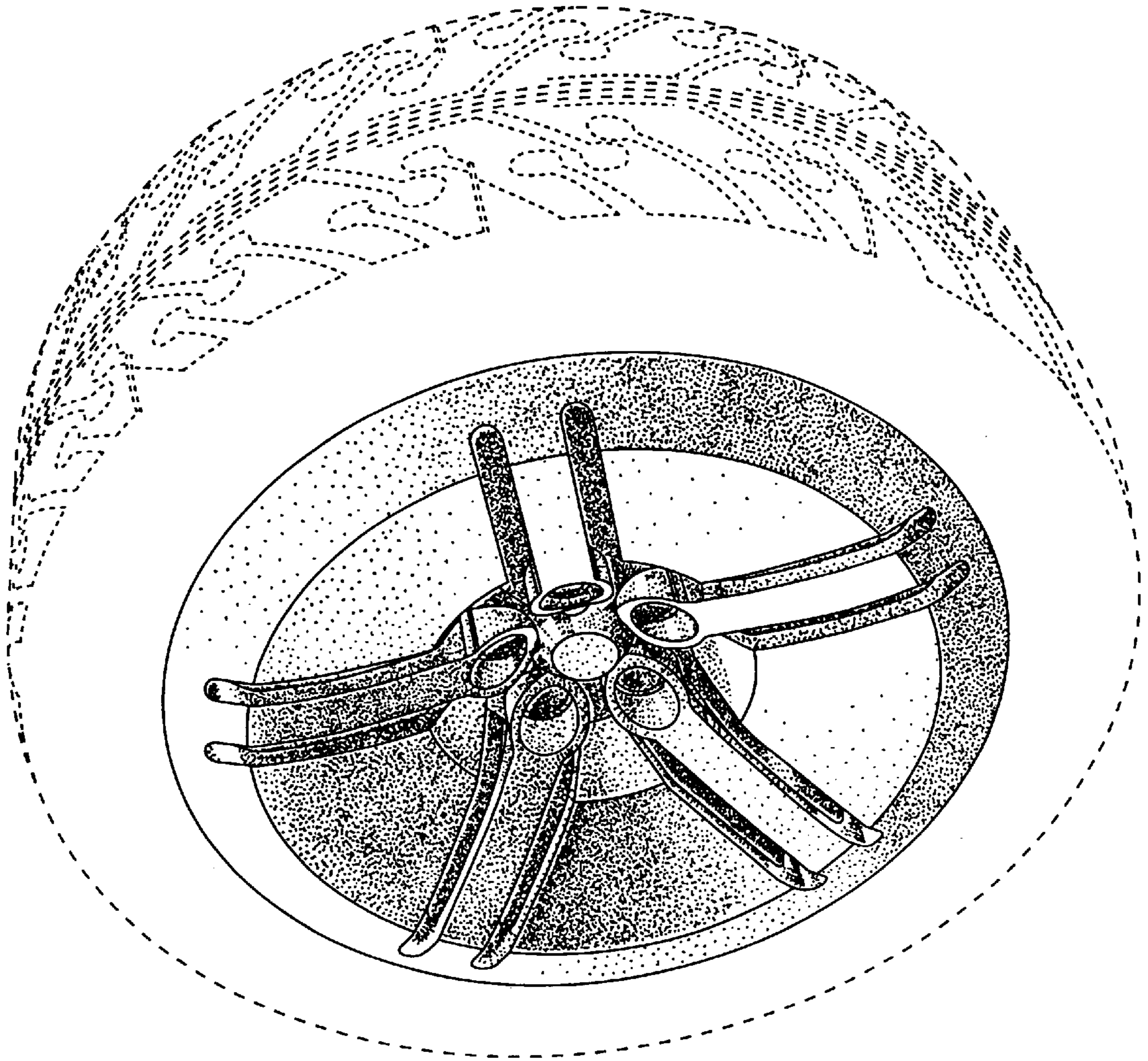


FIG. 1

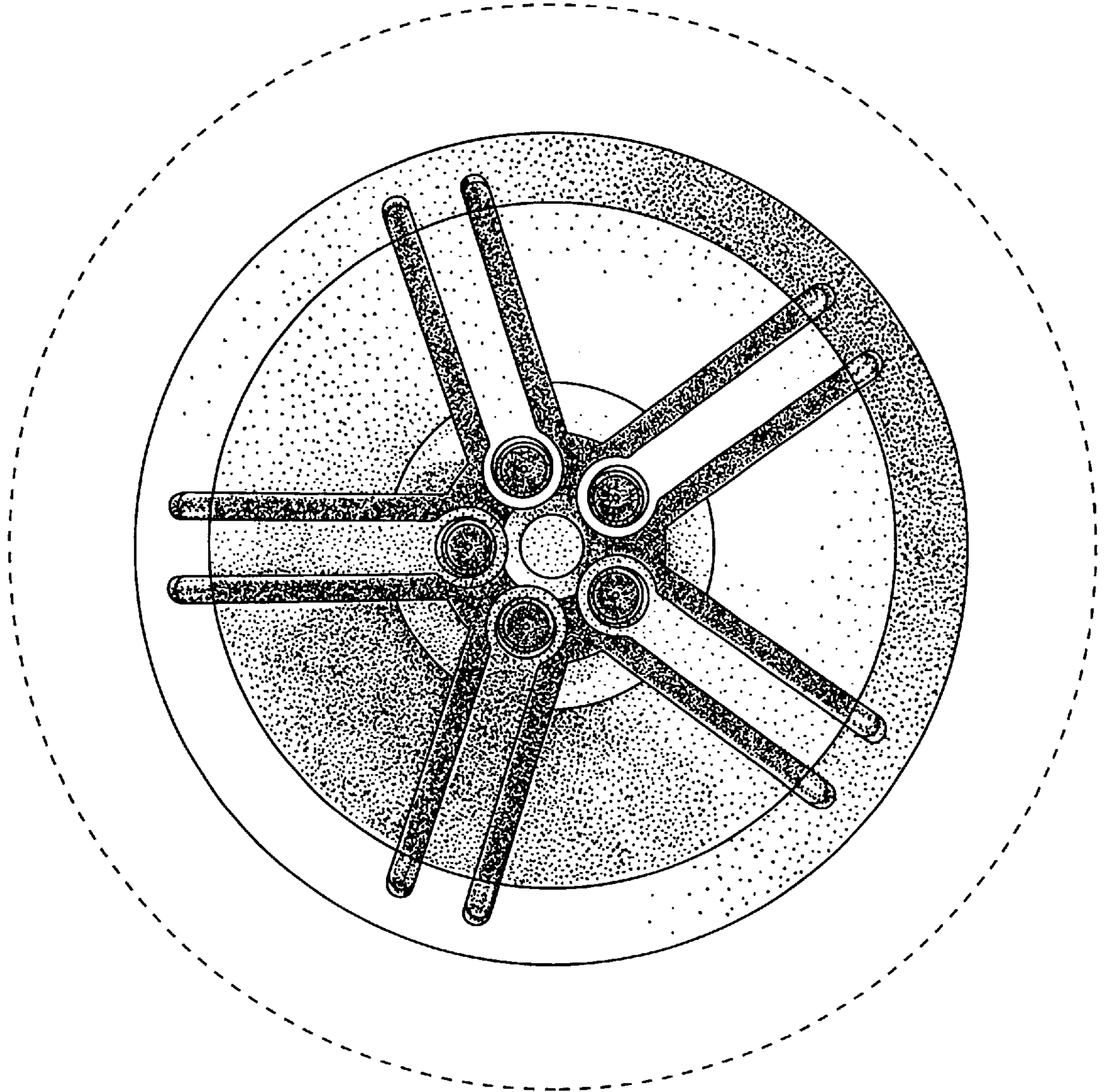


FIG. 2

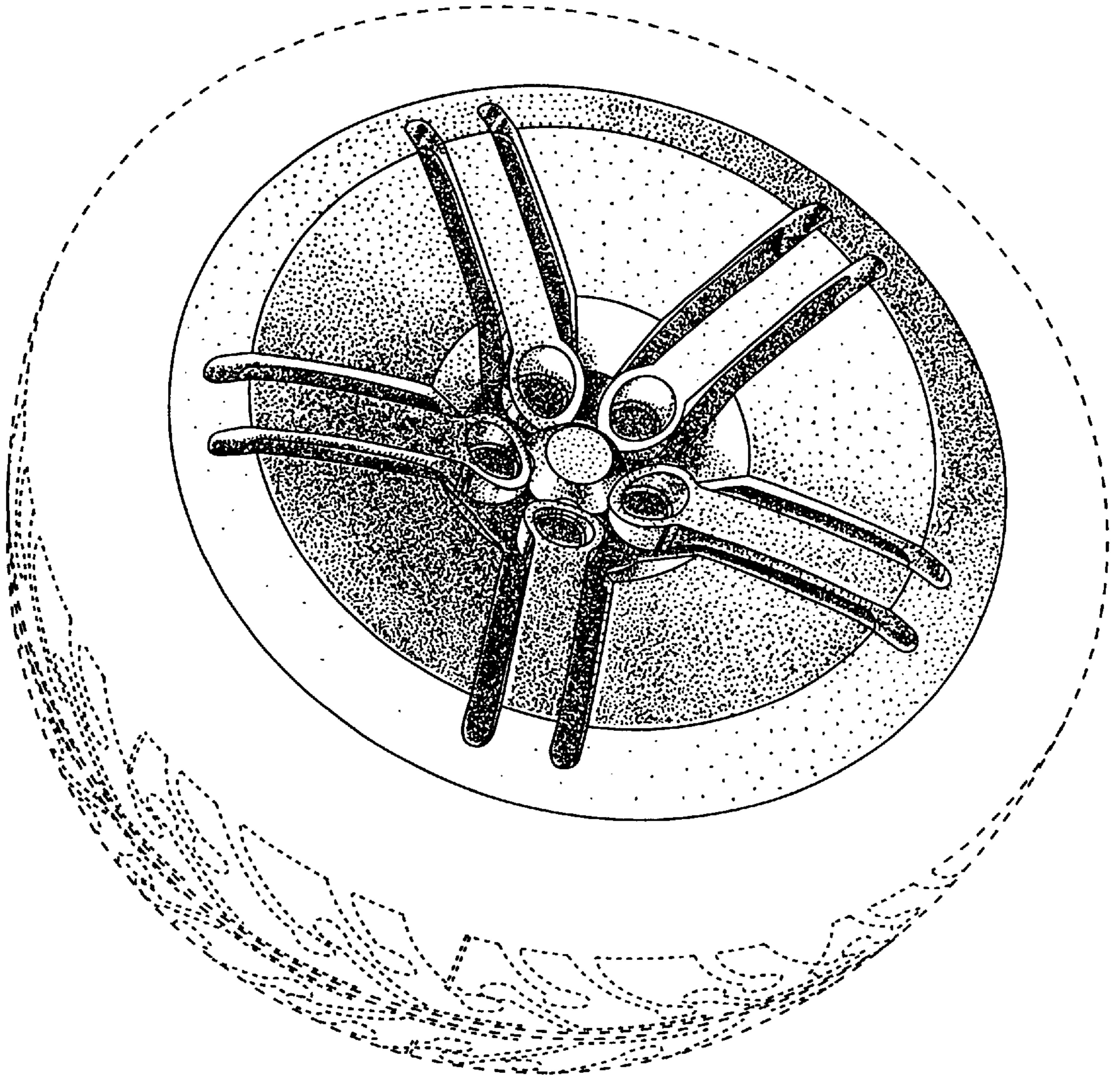


FIG. 3

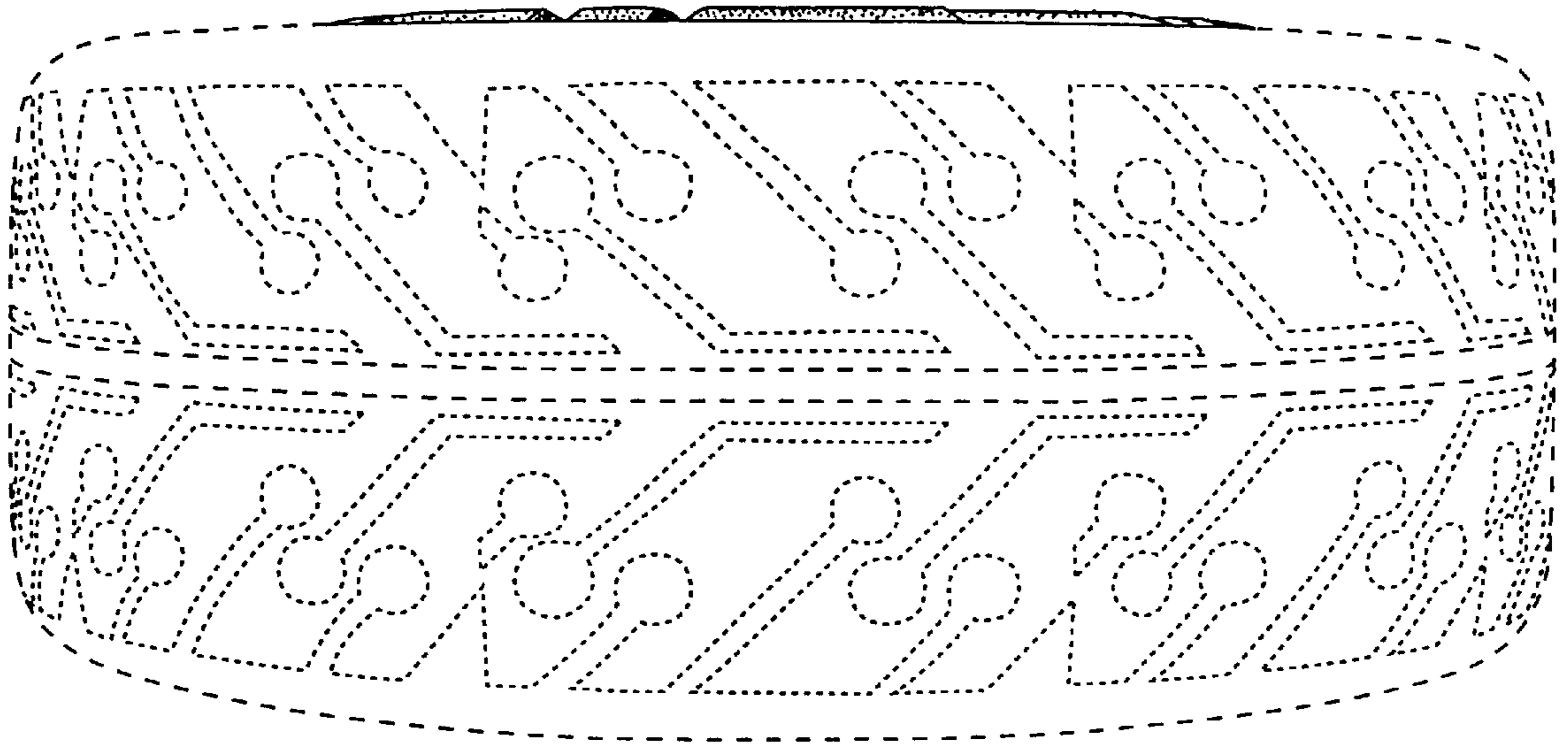


FIG. 4