



US00D449250B1

(12) **United States Design Patent**
Everett

(10) **Patent No.:** **US D449,250 S**

(45) **Date of Patent:** **** Oct. 16, 2001**

(54) **COMBINED SHIRT COLLAR STAY AND CLIP**

1,372,329 * 3/1921 Anderson 24/563
2,335,903 * 12/1943 Becket 24/563
6,067,691 * 5/2000 Feltman 24/295

(76) Inventor: **Robert A. Everett**, 704 S. 142nd E.
Ave., Tulsa, OK (US) 74108

* cited by examiner

(**) Term: **14 Years**

Primary Examiner—Ralf Seifert

(21) Appl. No.: **29/113,344**

(57) **CLAIM**

(22) Filed: **Nov. 4, 1999**

I claim the ornamental design for “a combined shirt collar stay and clip”, as shown and described.

(51) **LOC (7) Cl.** **02-07**

DESCRIPTION

(52) **U.S. Cl.** **D11/215; D11/200**

(58) **Field of Search** D11/200, 202,
D11/215, 203, 213, 201, 222; 40/618; 24/50,
56, 49 R, 295, 66.13, 3.6, 562, 563; 2/144,
145

FIG. 1 is a perspective view of a combined shirt collar stay & clip showing my new design in a position of use on a shirt collar;

FIG. 2 is a bottom perspective view shown in a position of use on a shirt pocket; and,

FIG. 3 is a side elevational view.

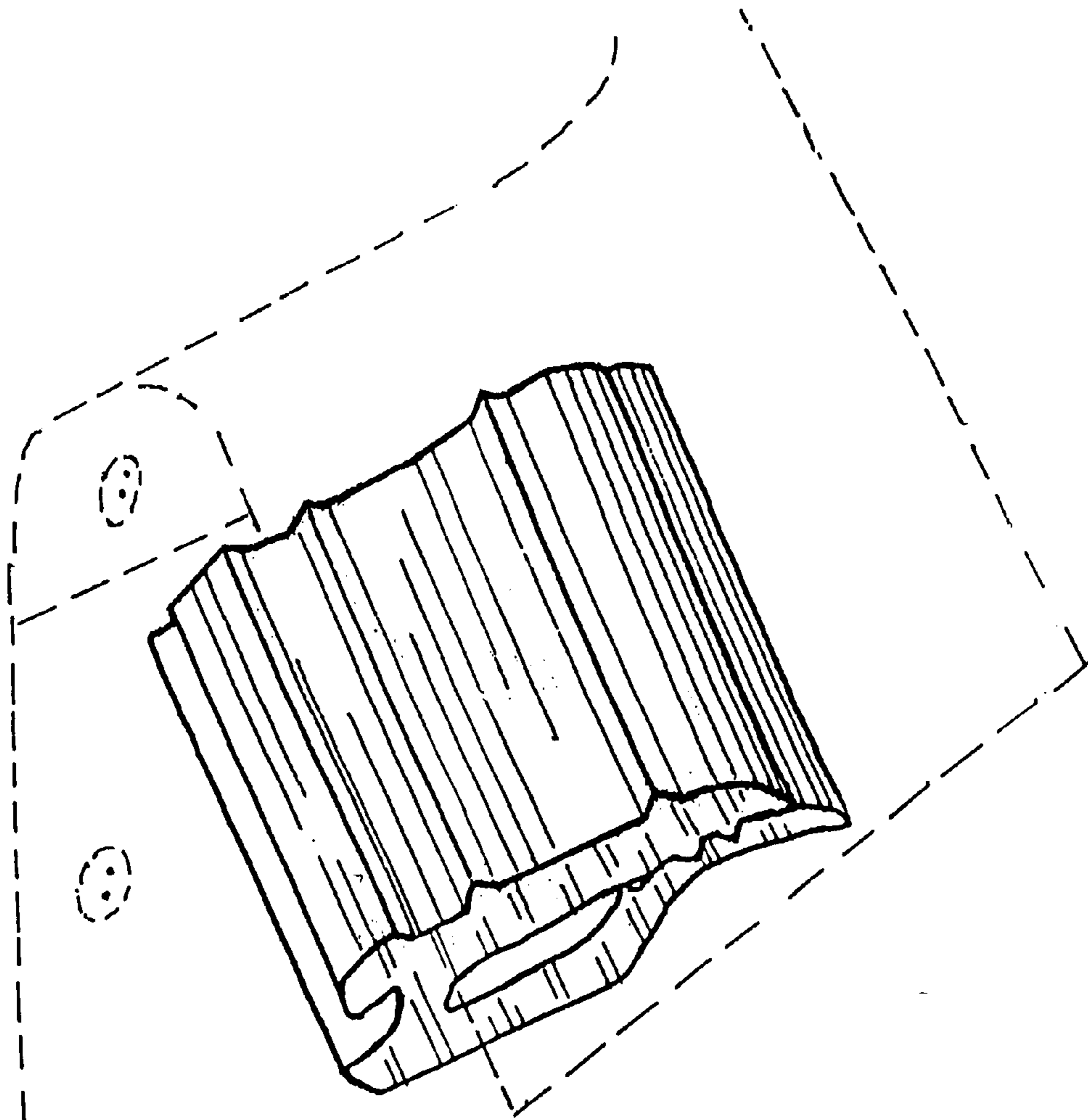
(56) **References Cited**

The broken line showing of a shirt collar in FIG. 1 and a shirt and pocket in FIG. 2 is for illustrative purposes only and forms no part of the claimed design.

U.S. PATENT DOCUMENTS

D. 76,412 * 9/1928 Ormsbee D11/203
1,196,251 * 8/1916 Lauterbach D11/203

1 Claim, 1 Drawing Sheet



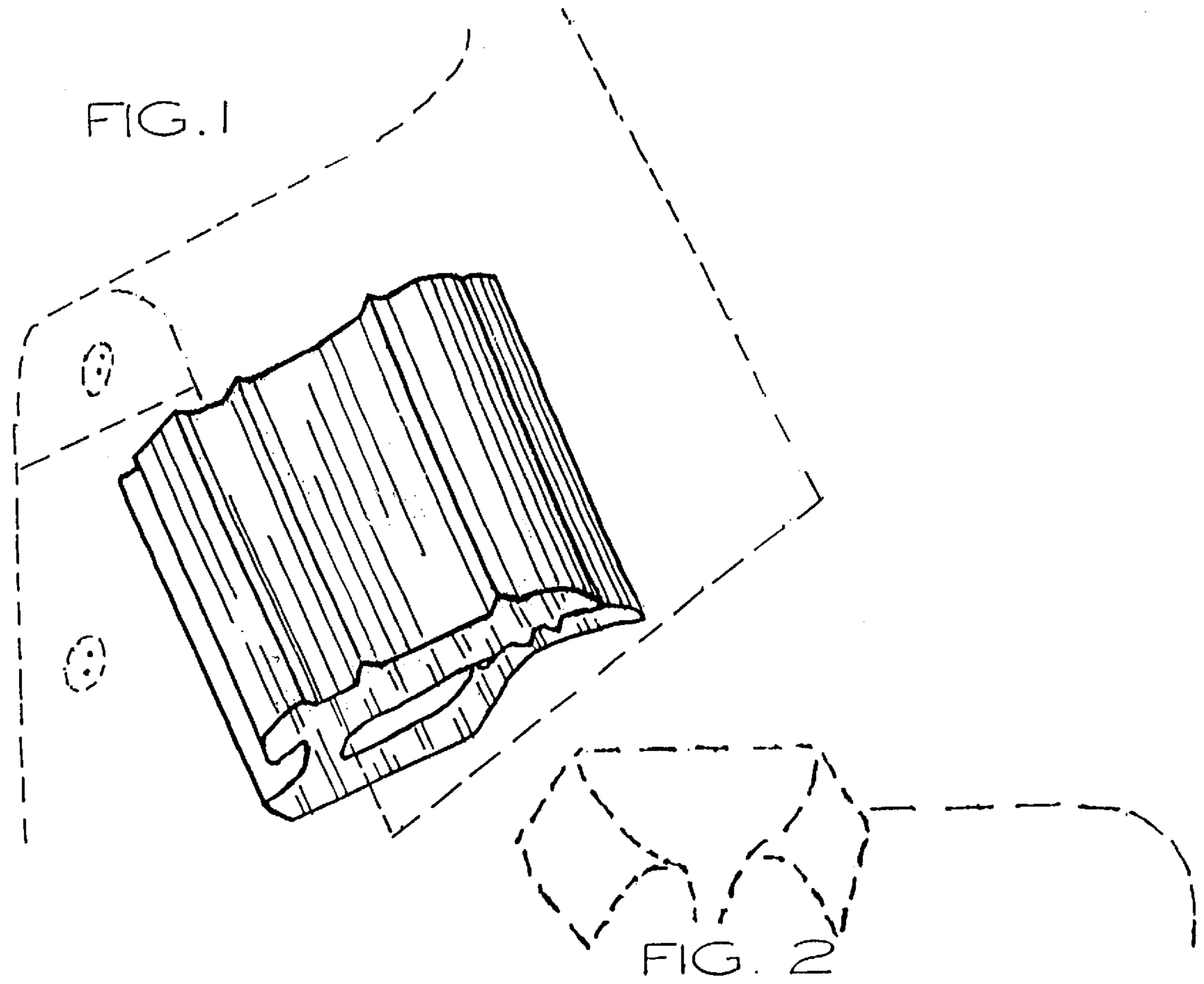


FIG. 3

