



US00D449243B1

(12) **United States Design Patent**
Montagnino et al.

(10) **Patent No.:** **US D449,243 S**

(45) **Date of Patent:** **** Oct. 16, 2001**

(54) **OVERSIZED SCALE**

(75) Inventors: **James G. Montagnino**, St. Charles;
Anson Wong, Glendale Heights;
Ricardo Murguia, Berwyn; **Shawn Barrett**, Grayslake; **Christian Kulujian**, Chicago, all of IL (US)

(73) Assignee: **Sunbeam Products, Inc.**, Boca Raton, FL (US)

(**) Term: **14 Years**

(21) Appl. No.: **29/135,575**

(22) Filed: **Jan. 13, 2001**

(51) **LOC (7) Cl.** **10-04**

(52) **U.S. Cl.** **D10/92**

(58) **Field of Search** D10/92; 177/210,
177/211, 239-243

(56) **References Cited**

U.S. PATENT DOCUMENTS

D. 377,765 * 2/1997 O'Neal D10/92

* cited by examiner

Primary Examiner—Antoine Duval Davis

(74) *Attorney, Agent, or Firm*—Kramer Levin Naftalis & Frankel, LLP

(57) **CLAIM**

The ornamental design for an oversized scale, as shown and described.

DESCRIPTION

FIG. 1 is a front left perspective view of an exemplary oversized scale according to an embodiment of the present invention.

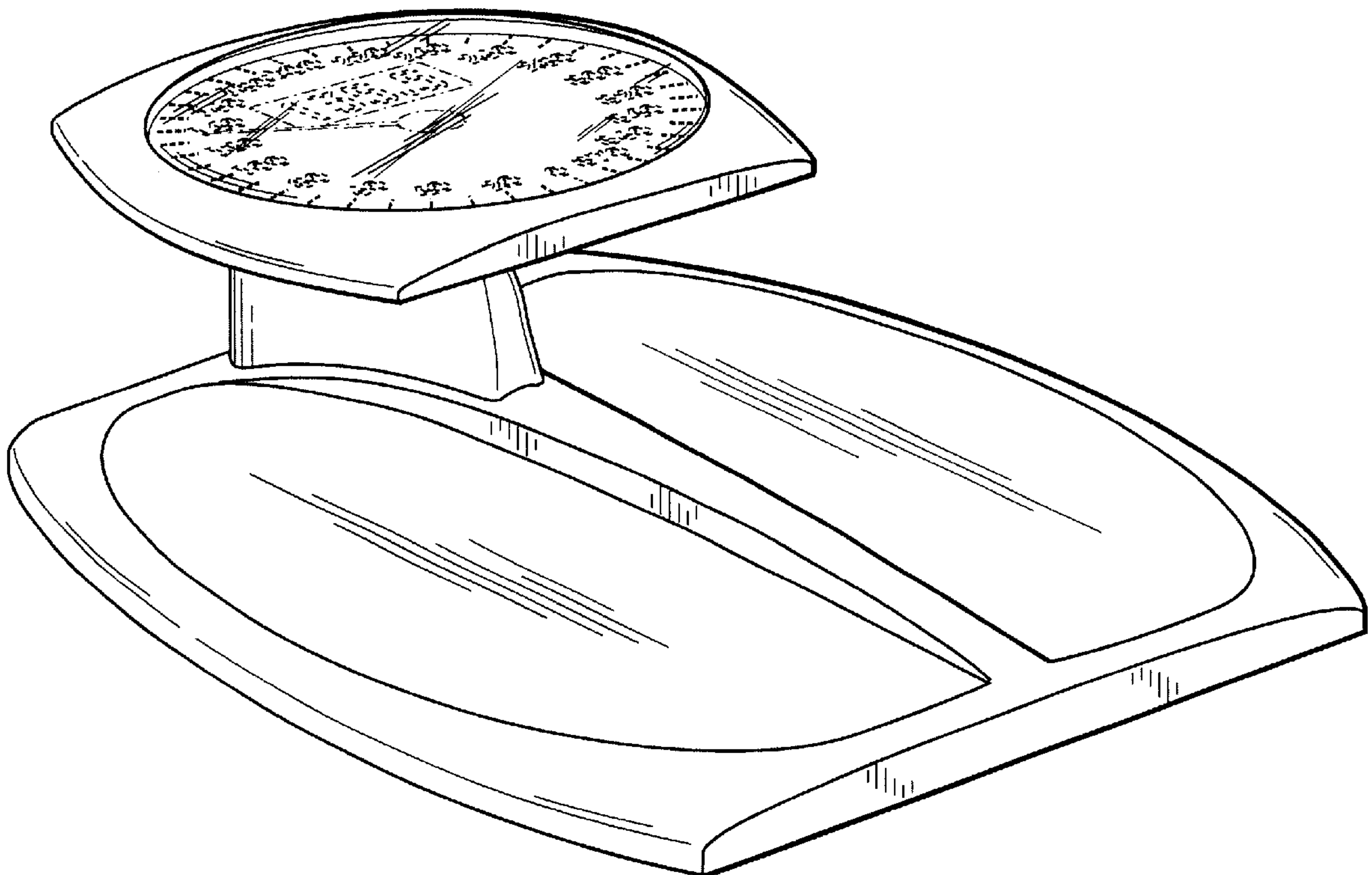
FIG. 2 is a top plan view of the oversized scale.

FIG. 3 is a left side elevational view of the oversized scale, the right side elevational view being a mirror image.

FIG. 4 is a front elevational view of the oversized scale; and, FIG. 5 is a back elevational view of the oversized scale.

The broken lines shown in the drawings identify in phantom environmental structure or boundaries that are not claimed part of the claimed design to be patented.

1 Claim, 3 Drawing Sheets



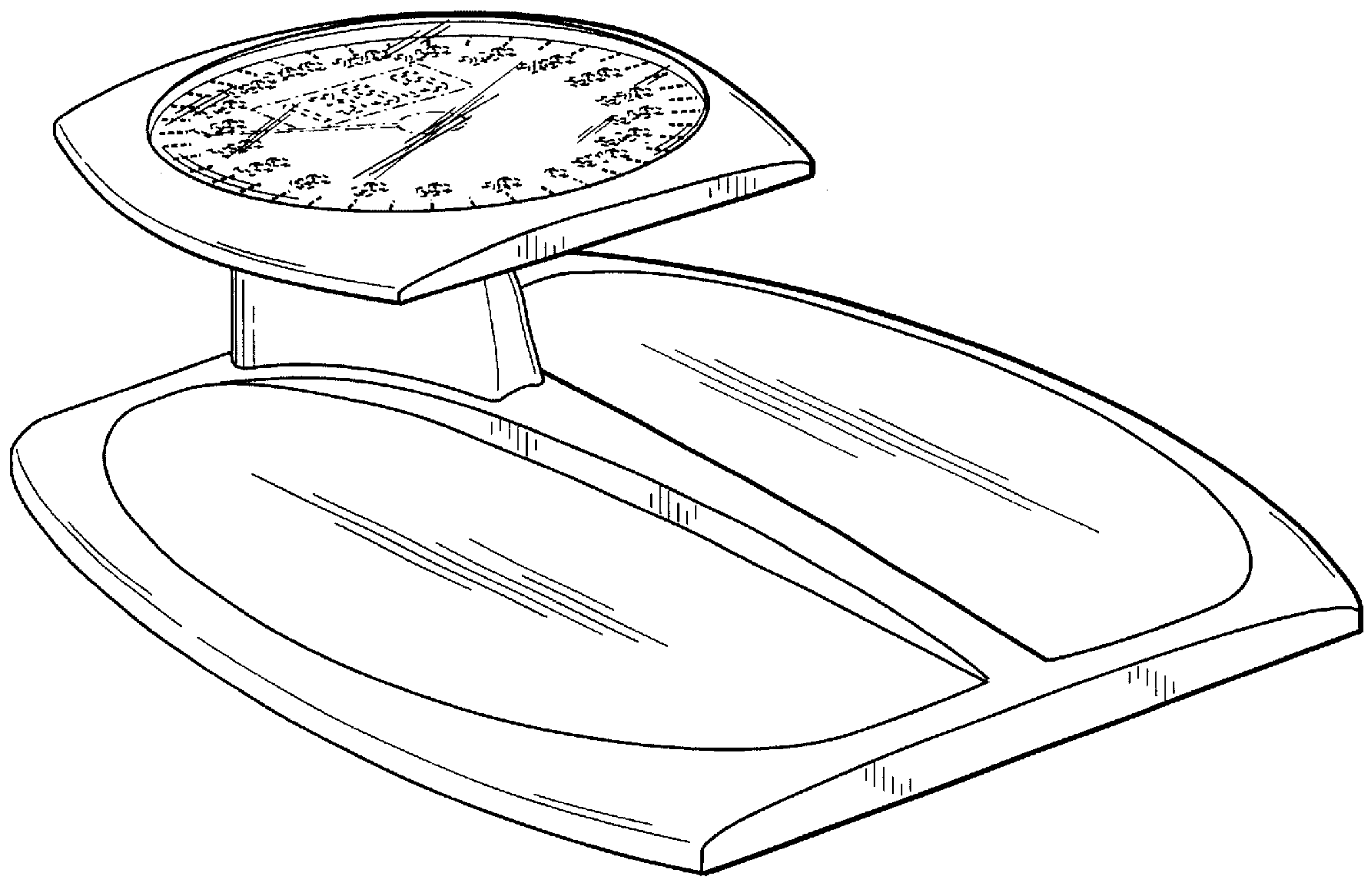


FIG. 1

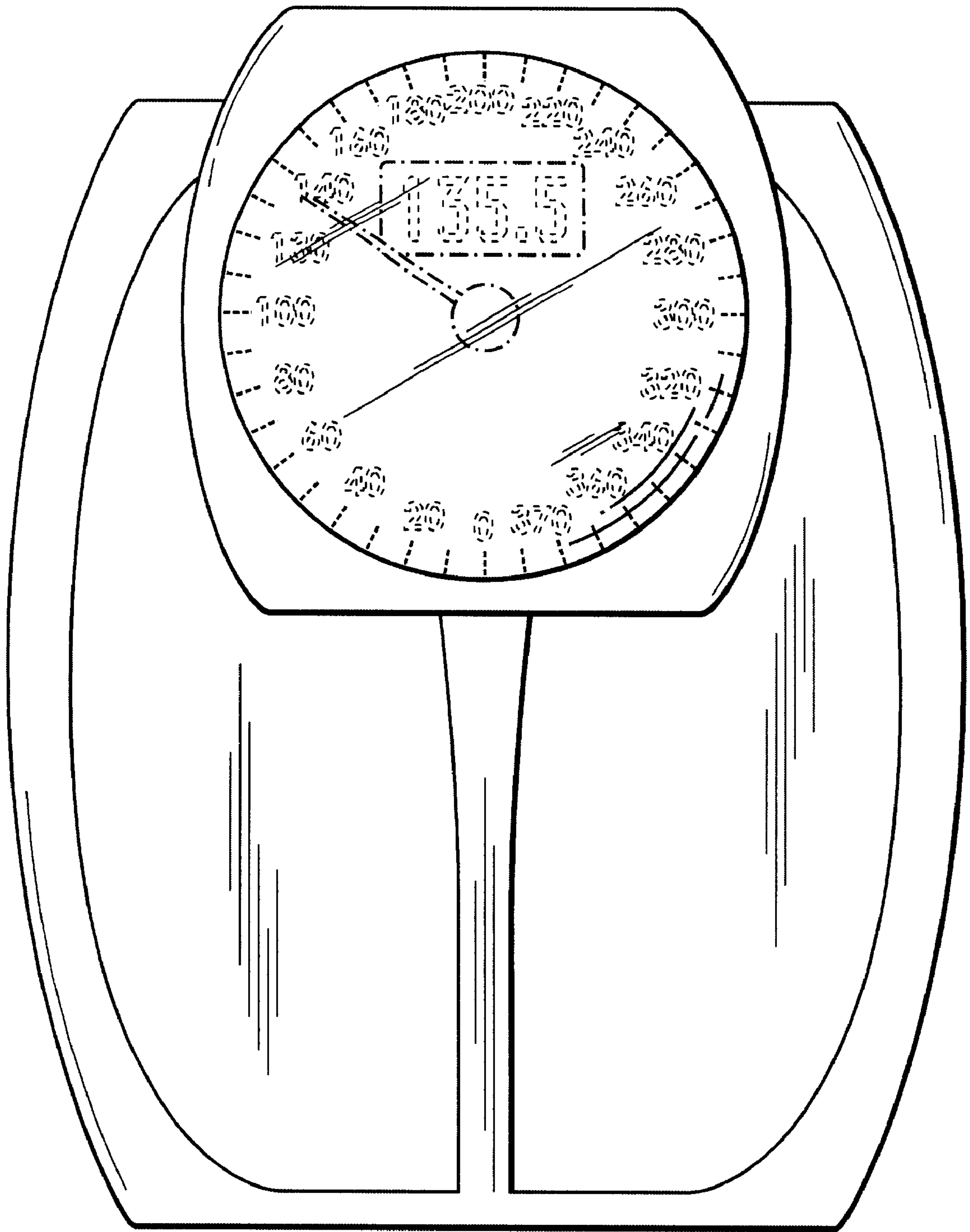


FIG. 2

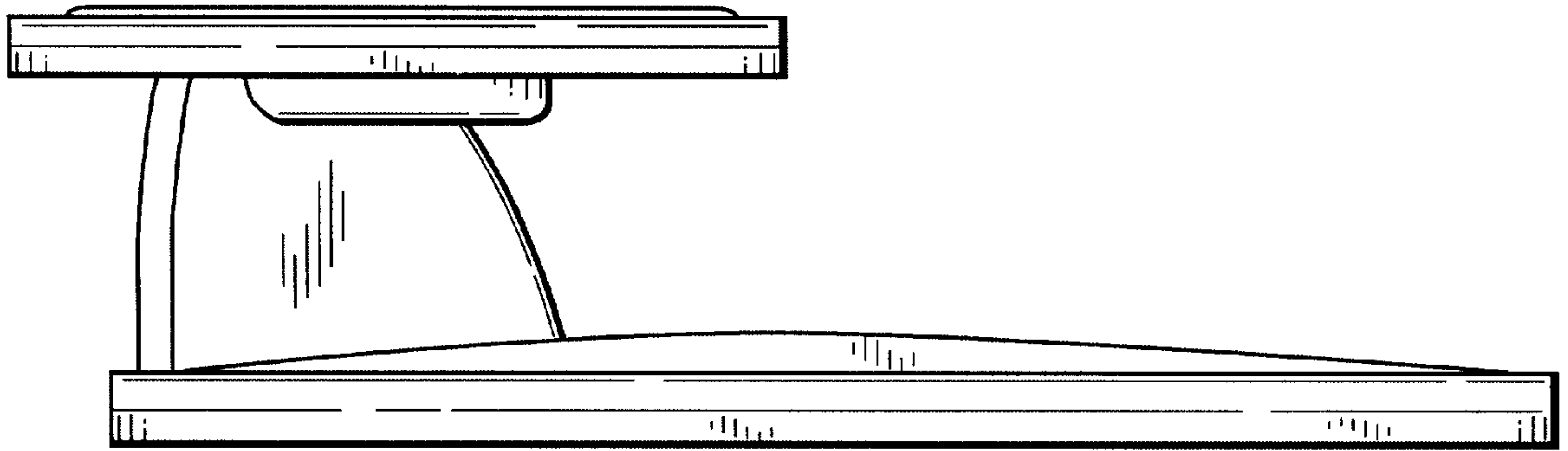


FIG. 3

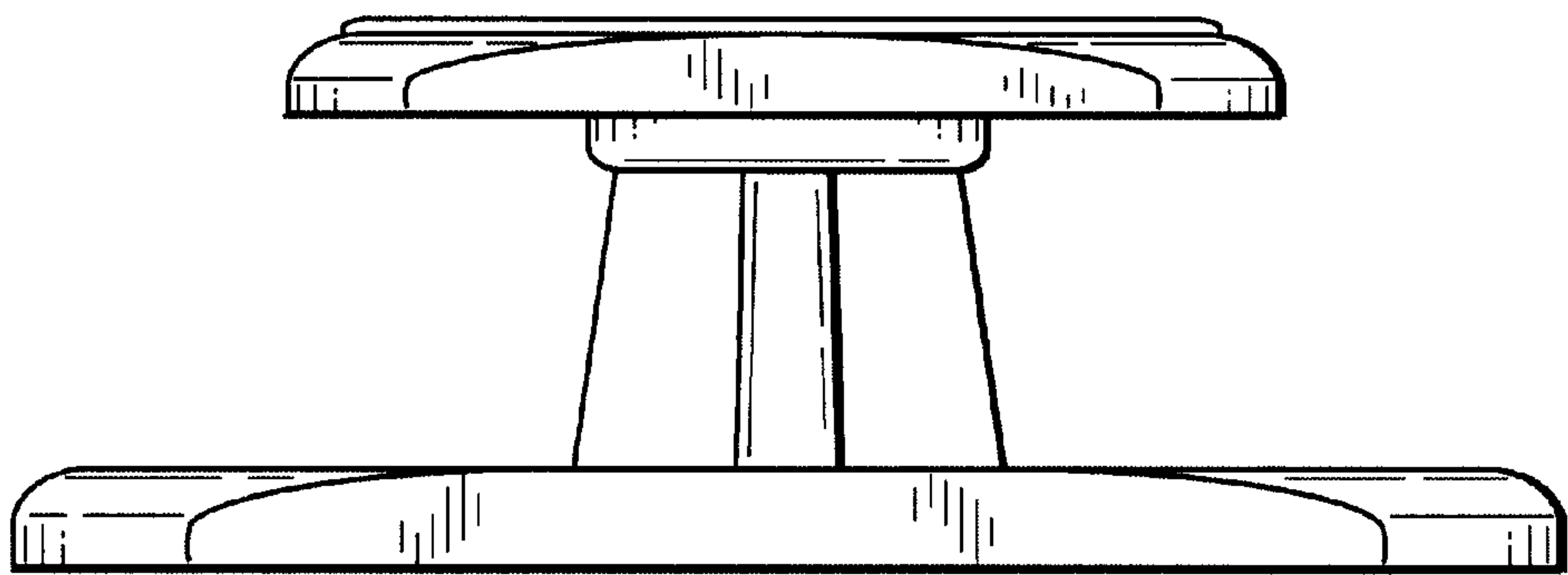


FIG. 4

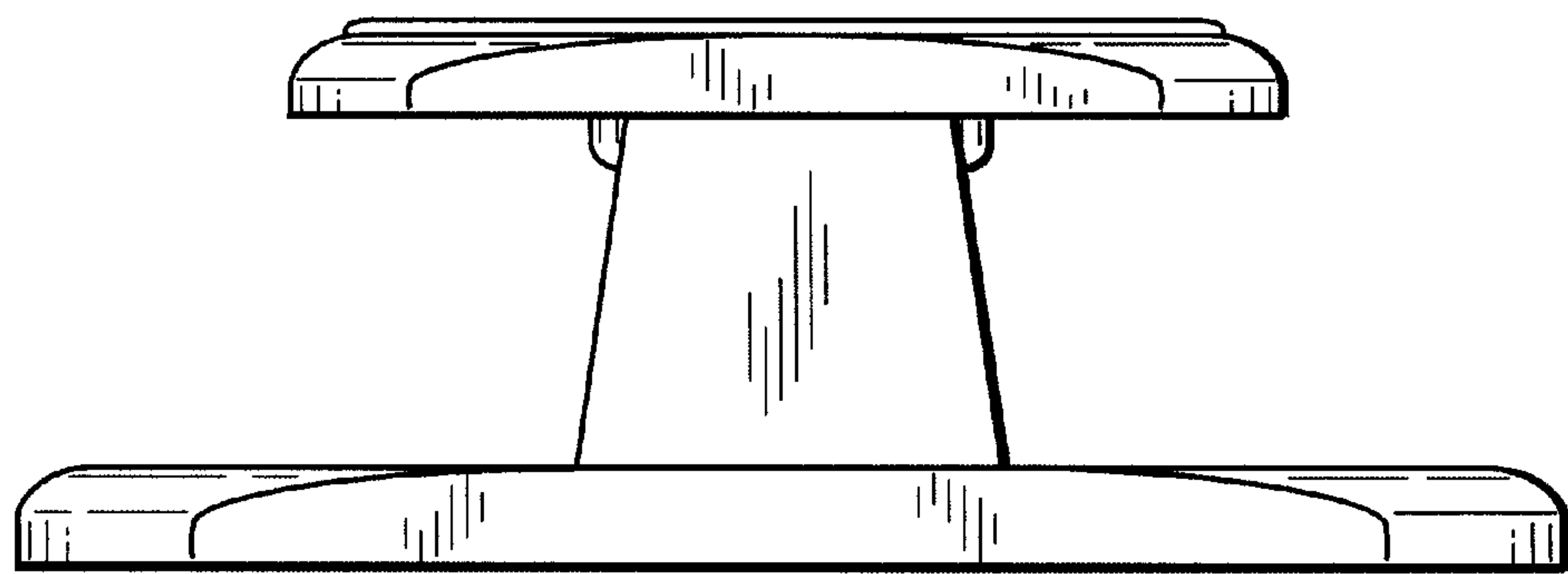


FIG. 5

UNITED STATES PATENT AND TRADEMARK OFFICE
CERTIFICATE OF CORRECTION

PATENT NO. : Des 449,243 S
DATED : October 16, 2001
INVENTOR(S) : Montagnino et al.

Page 1 of 1

It is certified that error appears in the above-identified patent and that said Letters Patent is hereby corrected as shown below:

Title page,

DESCRIPTION, change "The broken lines shown in the drawings identify in phantom environmental structure or boundaries that are not claimed part of the claimed design to be patented" to -- The broken lines shown in the drawings identify in phantom environmental structure or boundaries that are not part of the claimed design to be patented --

Signed and Sealed this

Sixteenth Day of April, 2002

Attest:



Attesting Officer

JAMES E. ROGAN
Director of the United States Patent and Trademark Office