



US00D449237B1

(12) **United States Design Patent**
Suchta

(10) **Patent No.:** **US D449,237 S**

(45) **Date of Patent:** **** Oct. 16, 2001**

(54) **HYPERCUBE MODEL**

(76) Inventor: **Michael F. Suchta**, 3319 Corbin Way,
Sacramento, CA (US) 95827

(**) Term: **14 Years**

(21) Appl. No.: **29/128,476**

(22) Filed: **Aug. 26, 2000**

(51) **LOC (7) Cl.** **10-04**

(52) **U.S. Cl.** **D10/46**

(58) **Field of Search** D10/46; D21/403,
D21/484, 491, 499; 712/1, 10, 11, 12, 13,
15; 395/200.1, 800, 800.11, 800.12, 800.13,
800.15; 364/DIG. 1, 940.67; 700/100

(56) **References Cited**

U.S. PATENT DOCUMENTS

5,642,524 * 6/1997 Keeling 395/800
5,669,008 * 9/1997 Galles et al. 395/800.12
5,794,059 * 8/1998 Barker et al. 395/800.1

OTHER PUBLICATIONS

Carl Sagan, "Cosmos", 1980, pp. 262-265, Random House,
Inc., New York.*

* cited by examiner

Primary Examiner—Antoine Duval Davis

(74) *Attorney, Agent, or Firm*—Davis & Johnson, LLP;
William D. Davis

(57) **CLAIM**

The ornamental design for a hypercube model, as shown and
described.

DESCRIPTION

FIG. 1 illustrates an elevational view of a first side of the
hypercube model.

FIG. 2 illustrates the hypercube model of FIG. 1 rotated
approximately 27.5° about a y-axis.

FIG. 3 illustrates the hypercube model of FIG. 1 rotated
approximately 45° about a y-axis.

FIG. 4 illustrates the hypercube model of FIG. 1 rotated
approximately 55° about a y-axis.

FIG. 5 is another elevational view of a second side of the
hypercube model of FIG. 1 and illustrates the hypercube
model of FIG. 1 rotated approximately 90° about a y-axis.

FIG. 6 illustrates a top plan view of the hypercube model.

FIG. 7 illustrates the hypercube model of FIG. 6 rotated
approximately 45° about an x-axis.

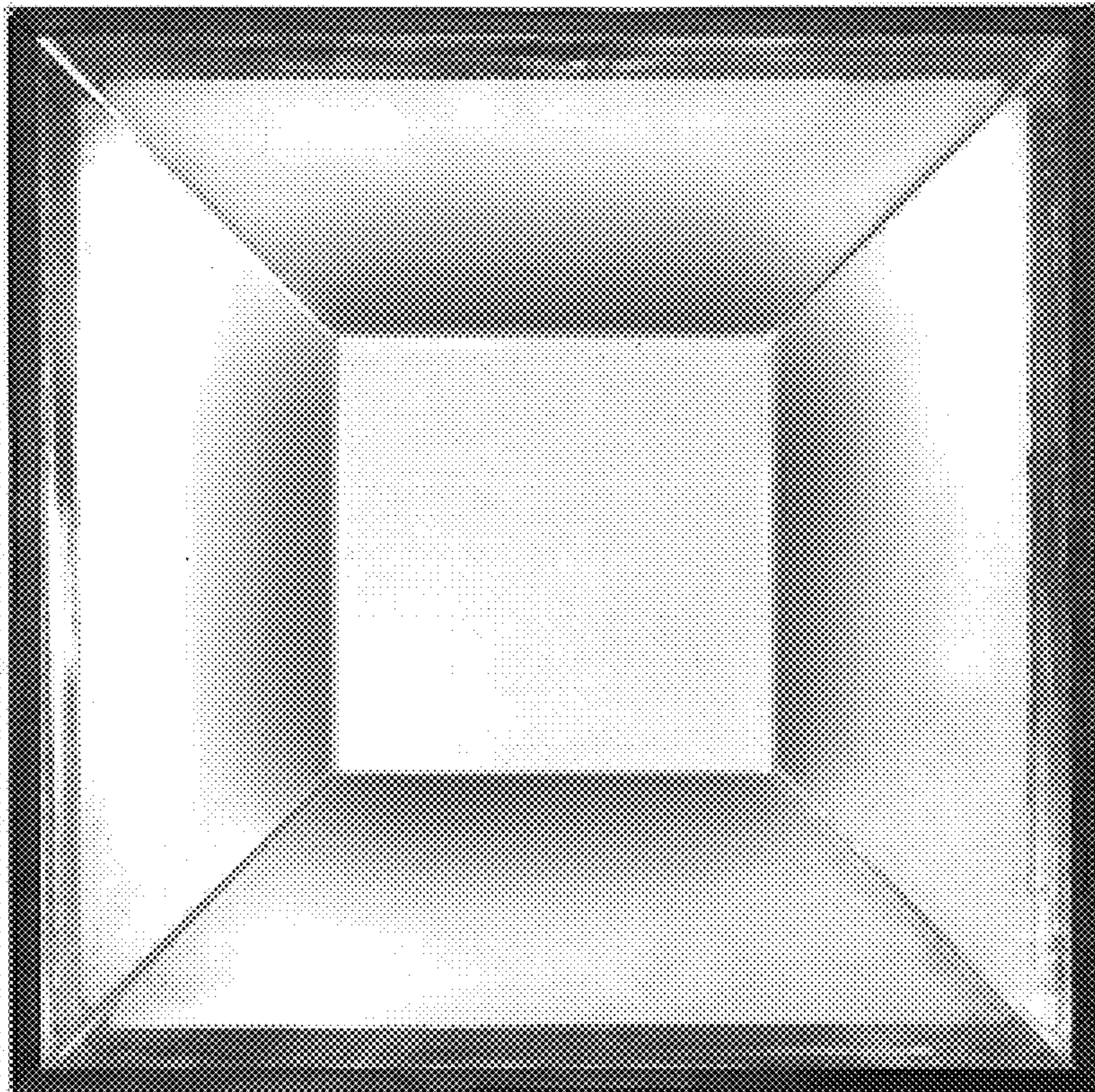
FIG. 8 illustrates the hypercube model of FIG. 6 rotated
approximately 55° about an x-axis.

FIG. 9 illustrates the hypercube model of FIG. 6 rotated
approximately 90° about an x-axis.

FIG. 10 illustrates the hypercube model of FIG. 6 rotated
approximately 117.5° about an x-axis; and,

FIG. 11 illustrates a bottom plan view corresponding to the
hypercube model of FIG. 6 rotated 180° about an x-axis.

1 Claim, 2 Drawing Sheets



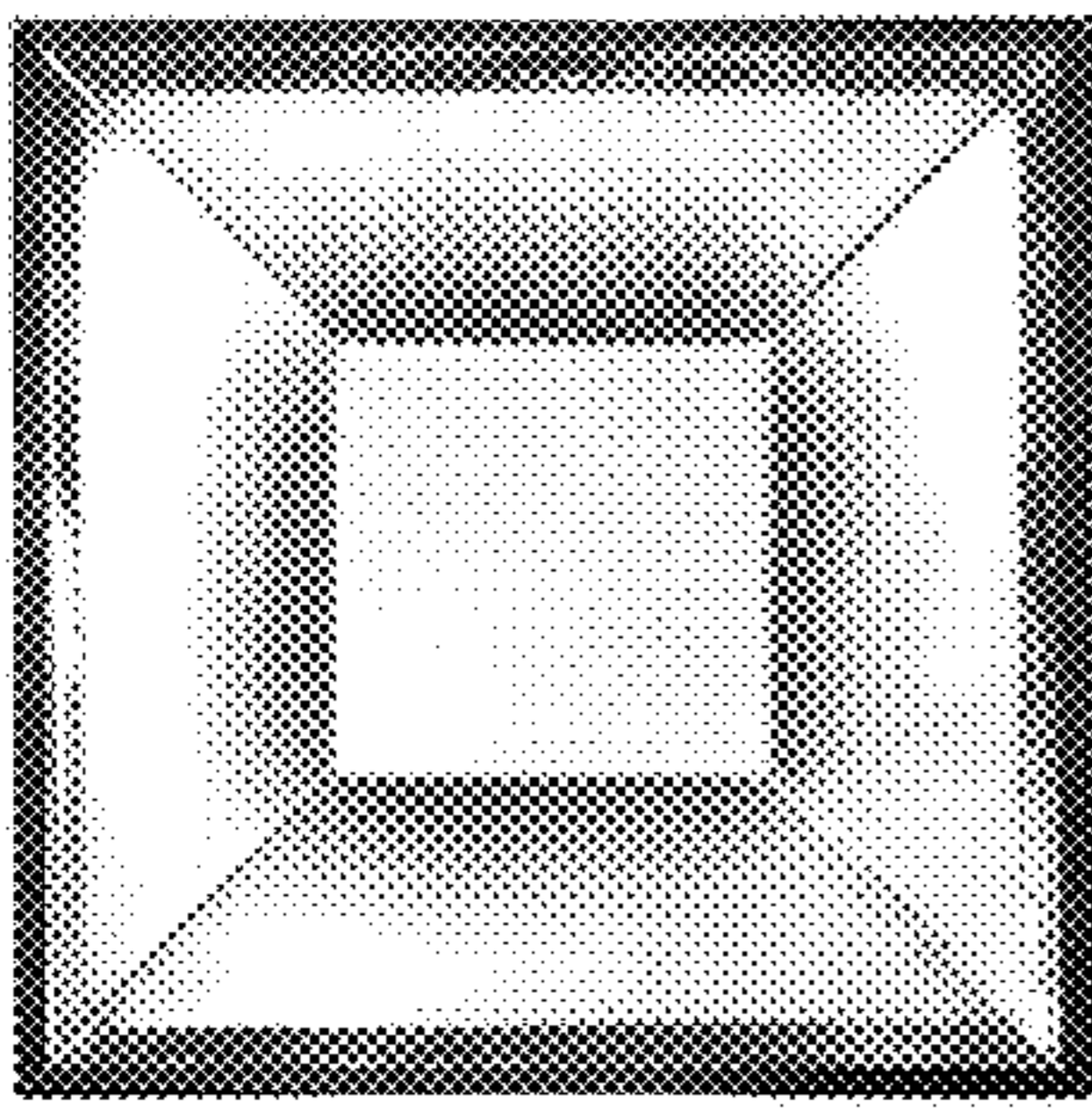


FIG. 1

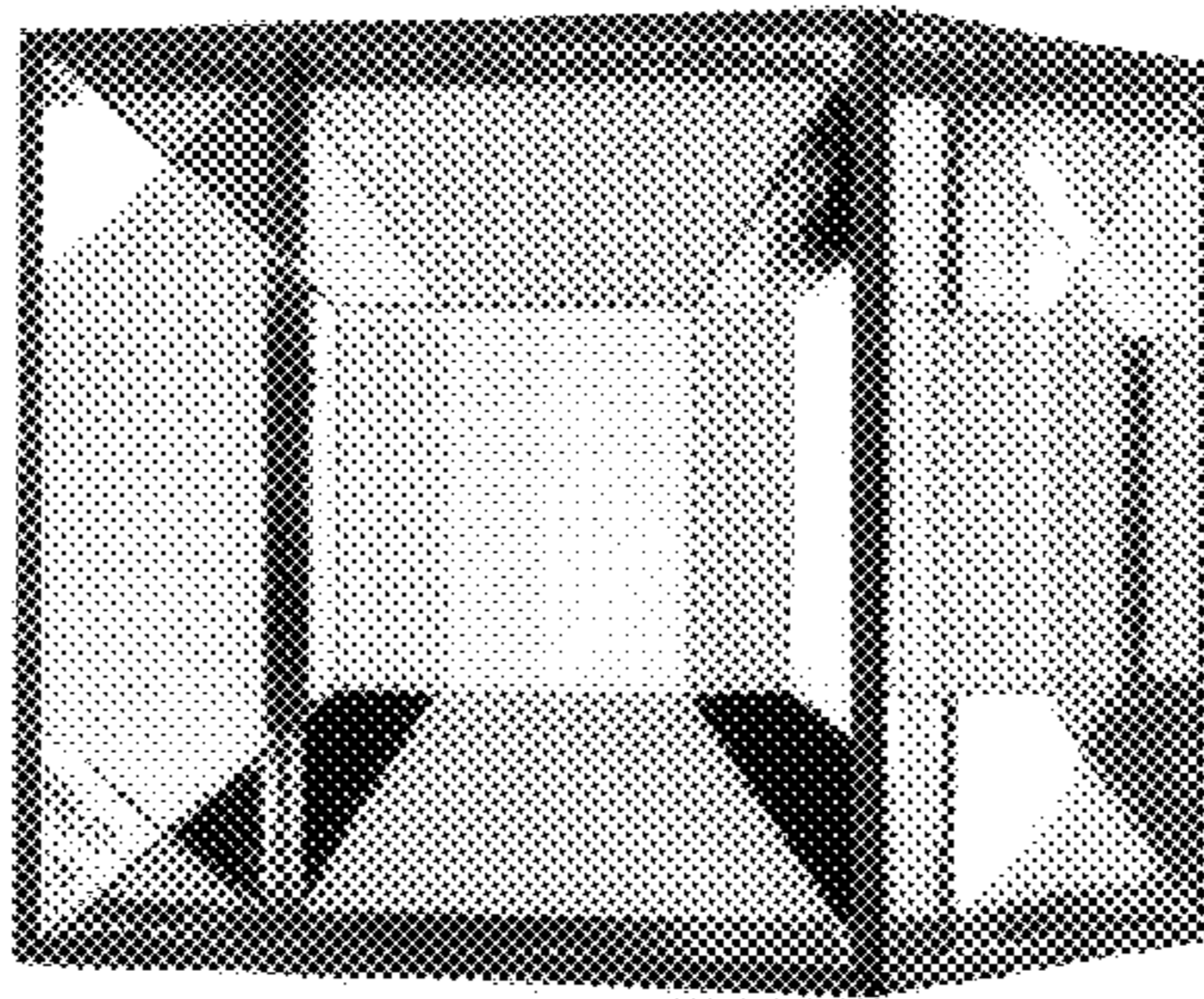


FIG. 2

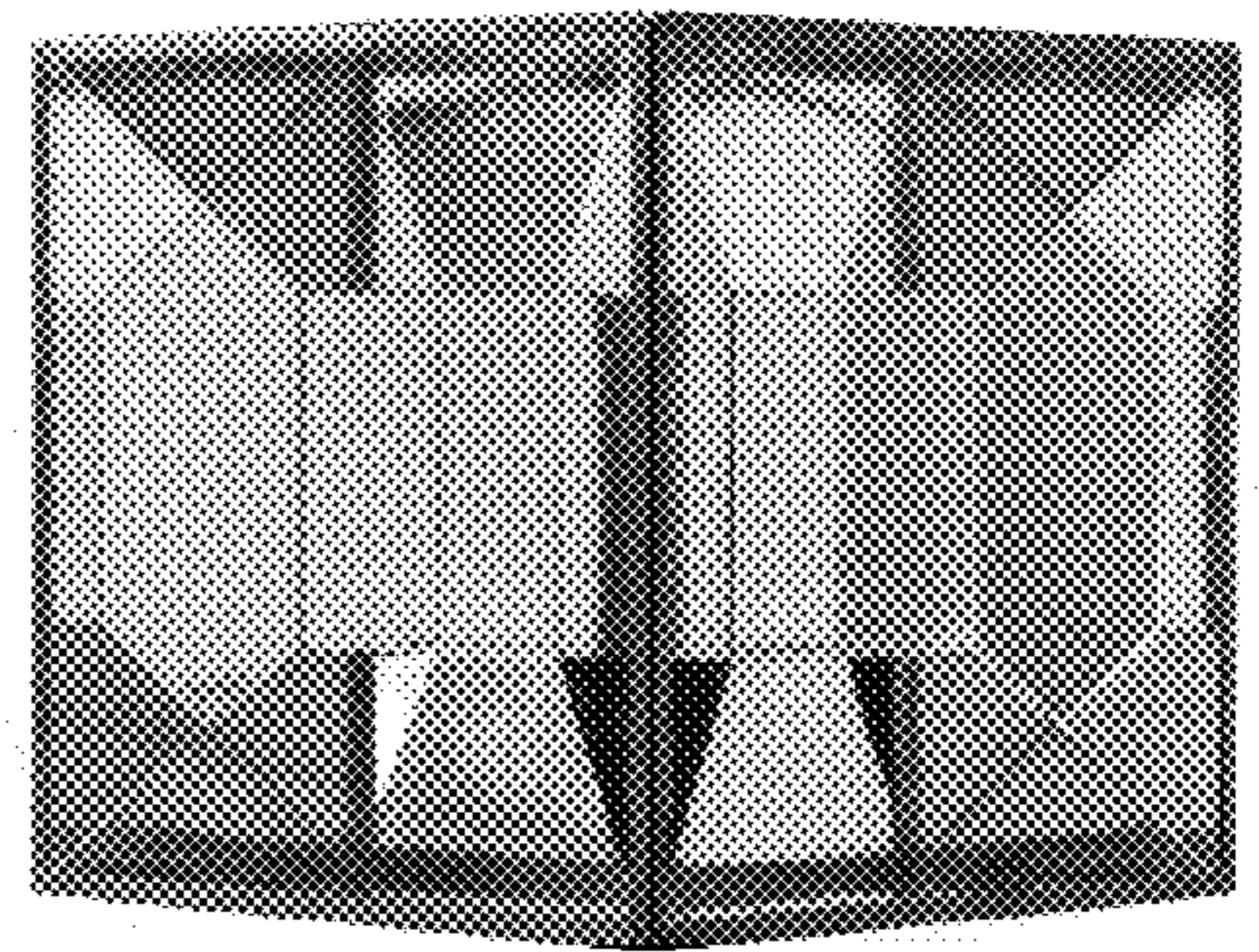


FIG. 3

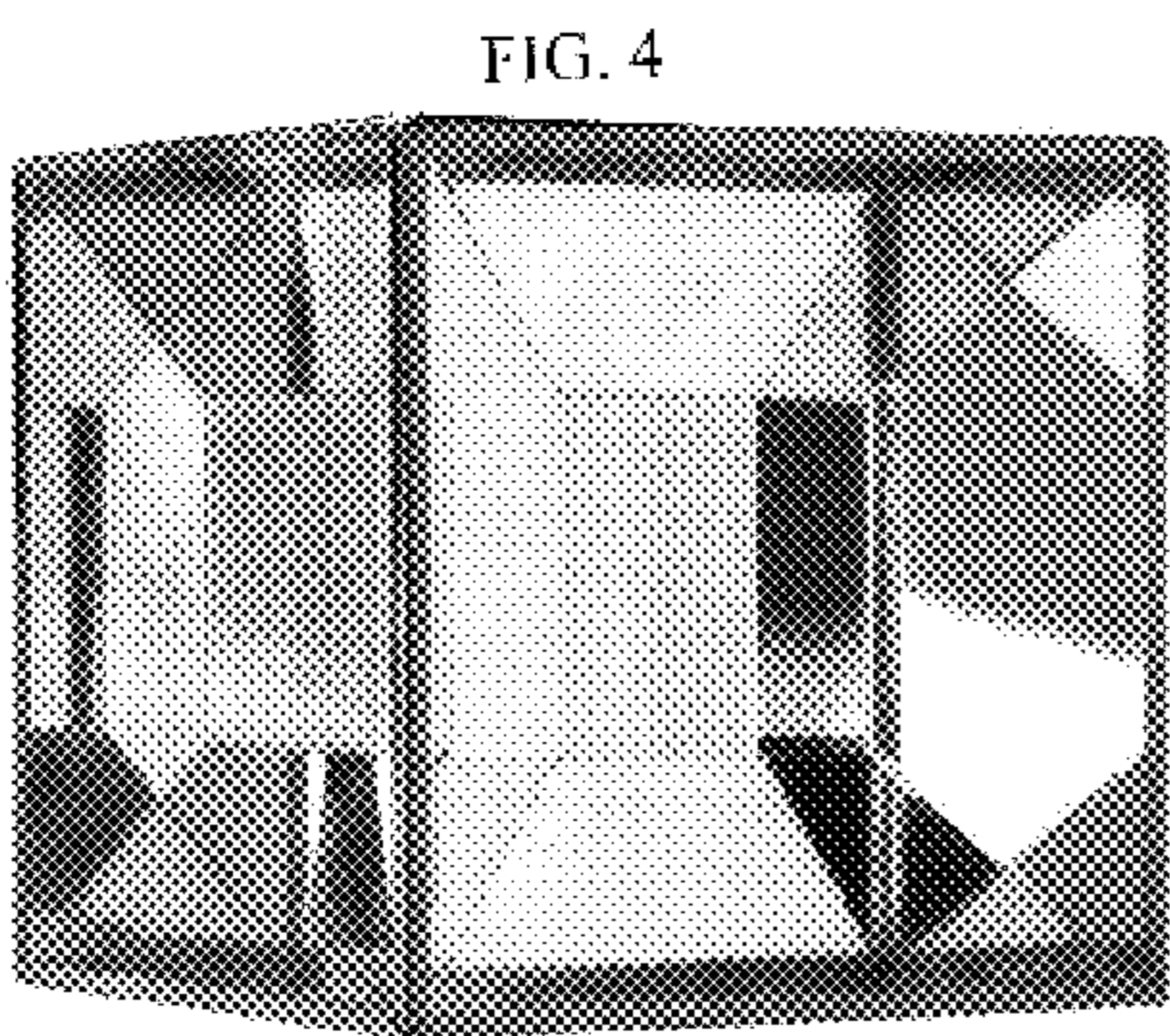


FIG. 4

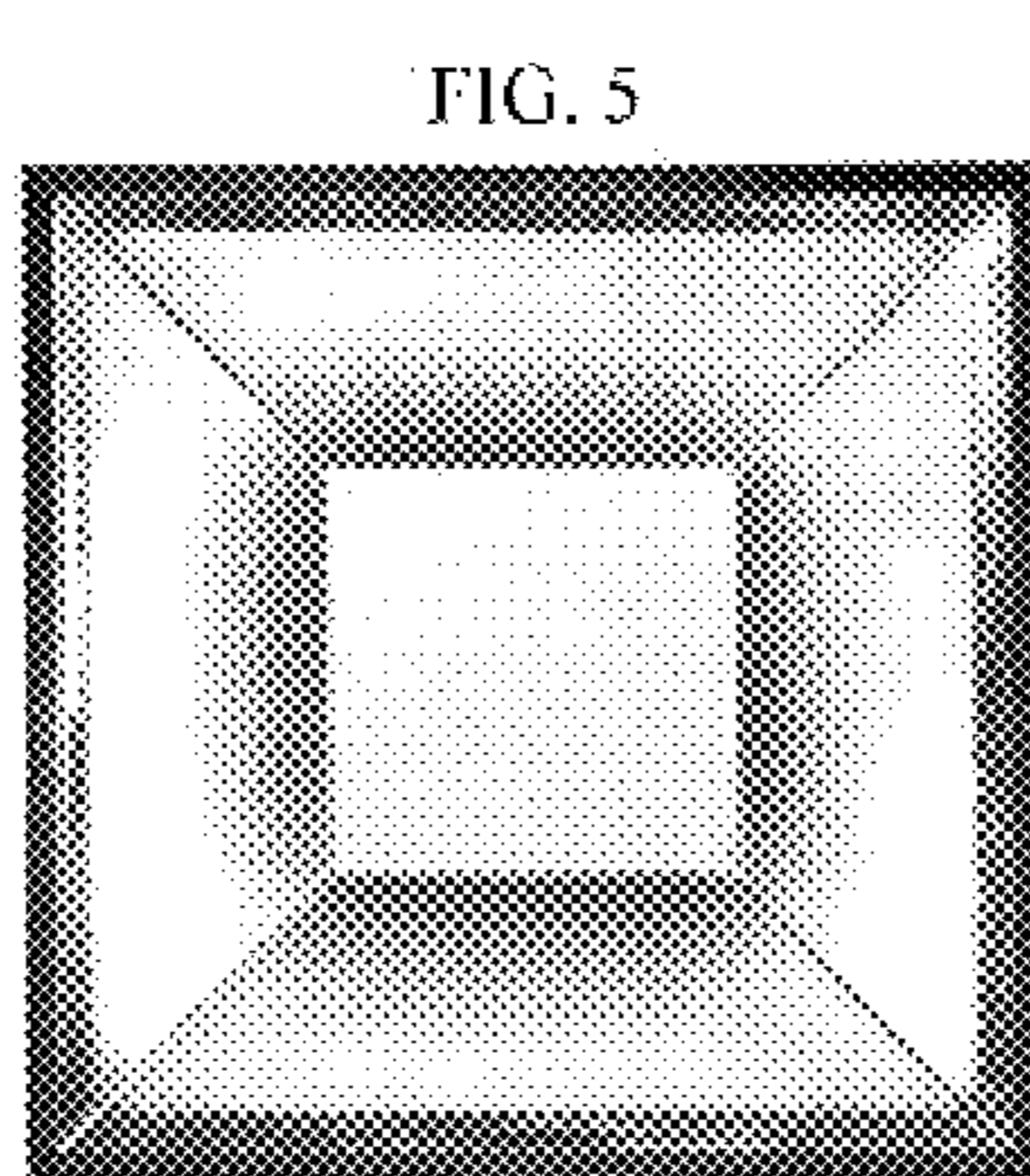


FIG. 5

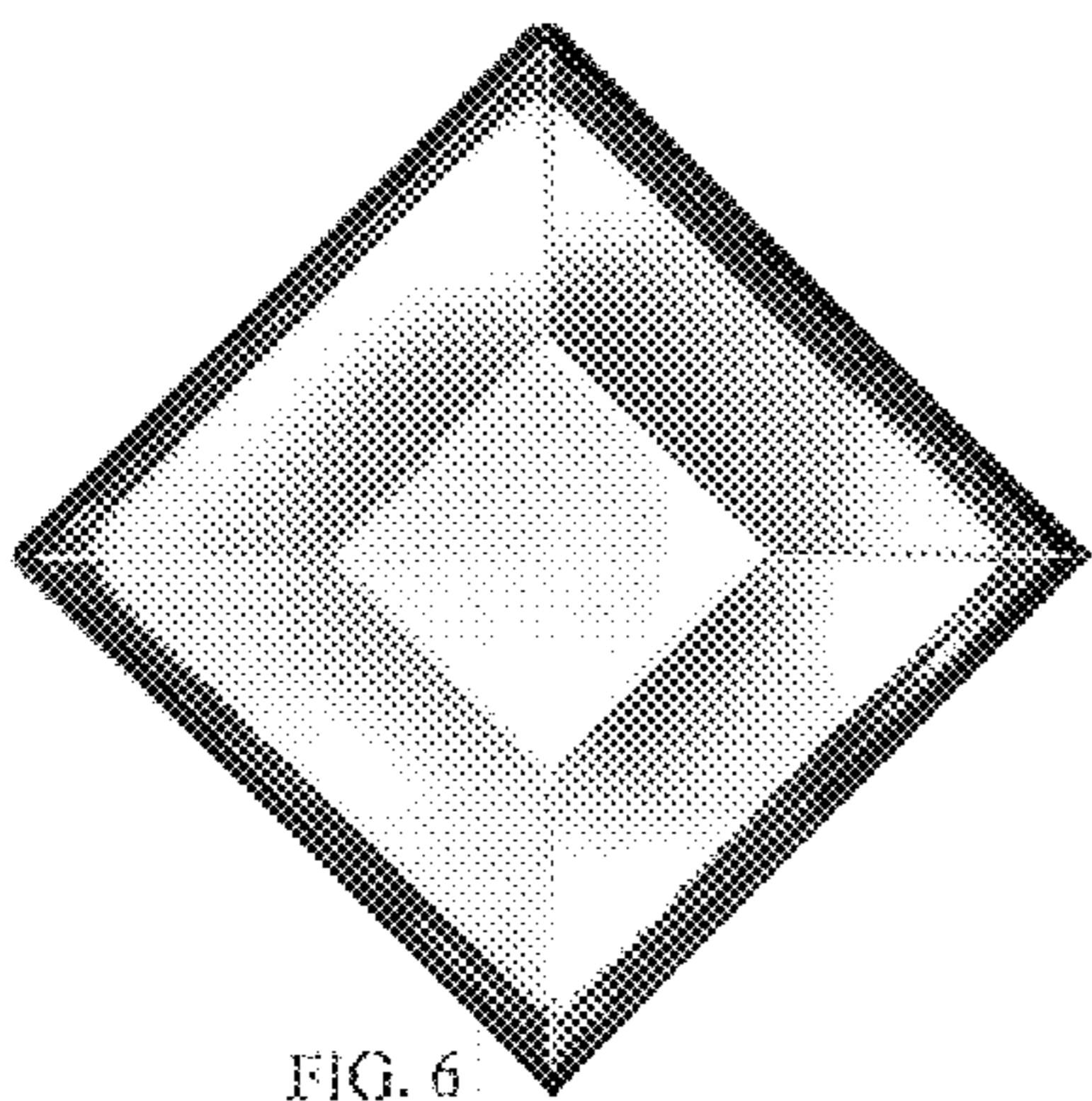


FIG. 6

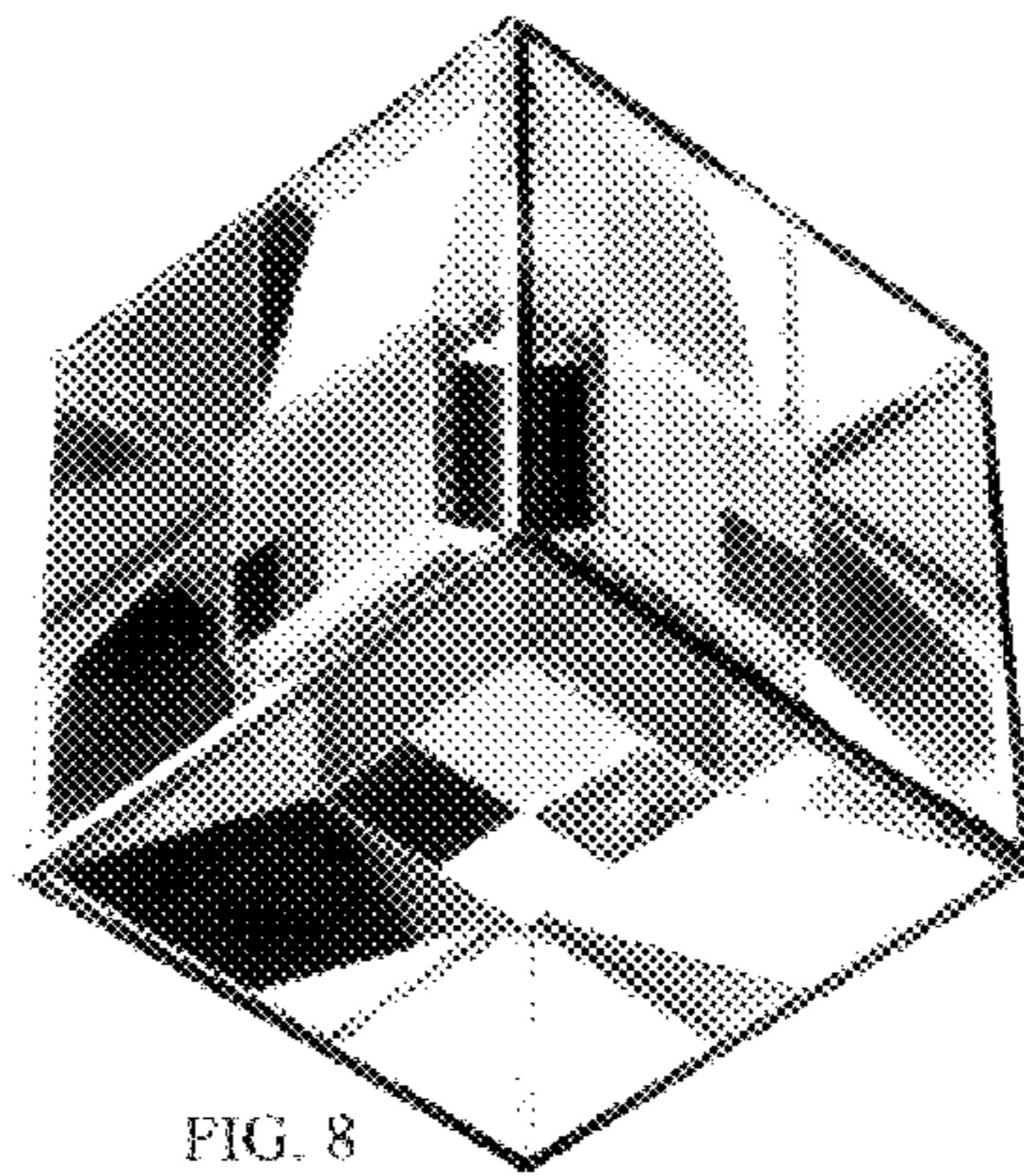


FIG. 8

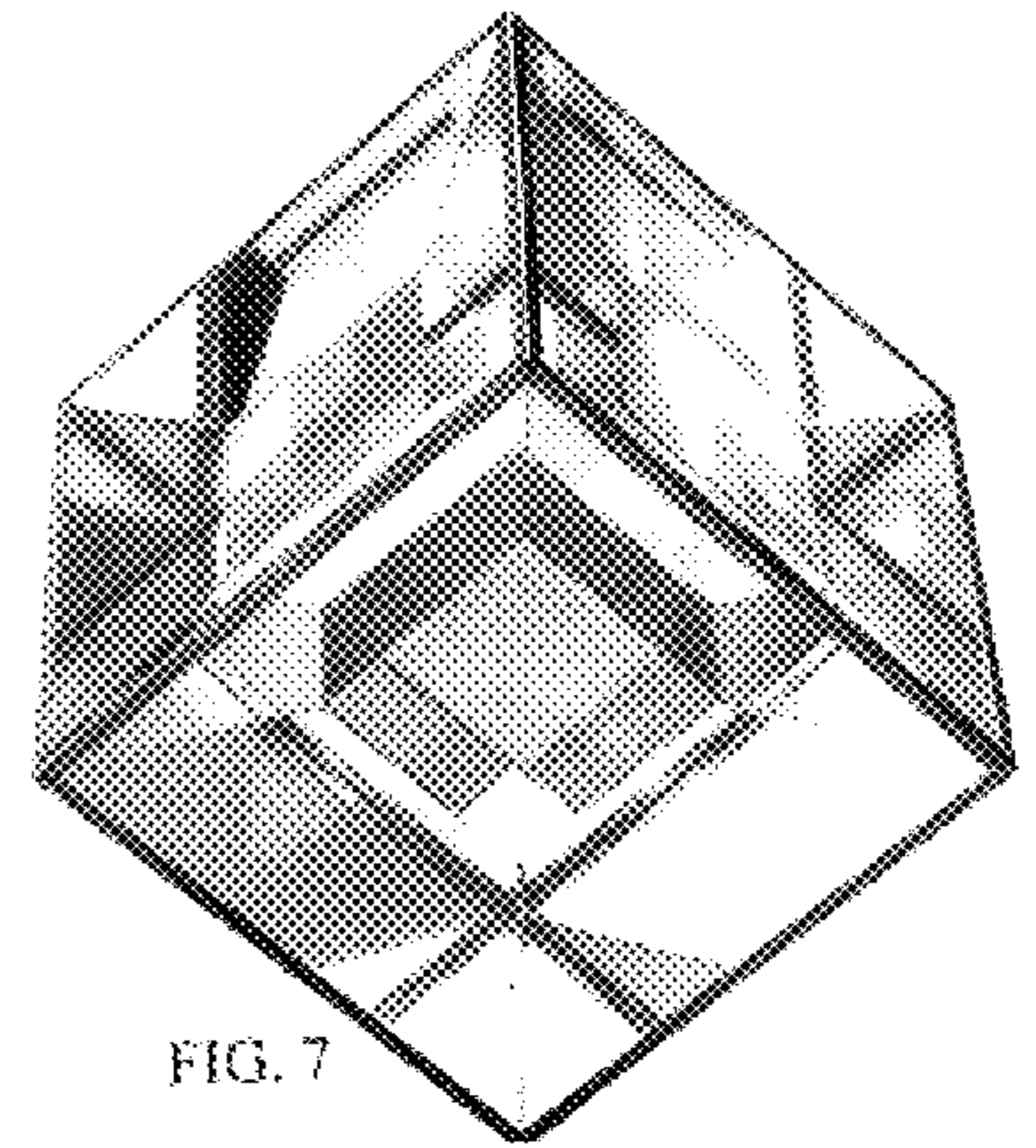


FIG. 7

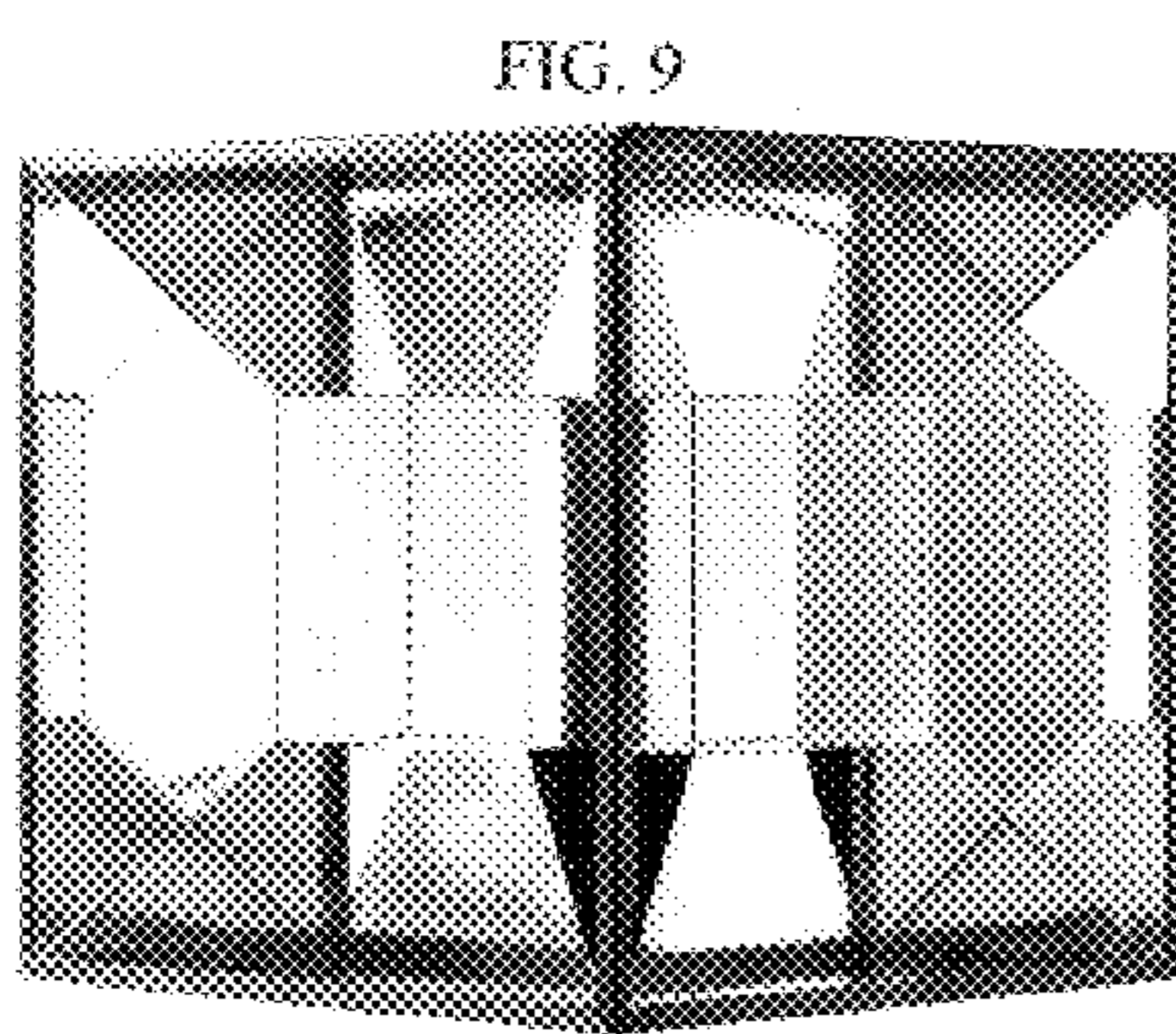


FIG. 9

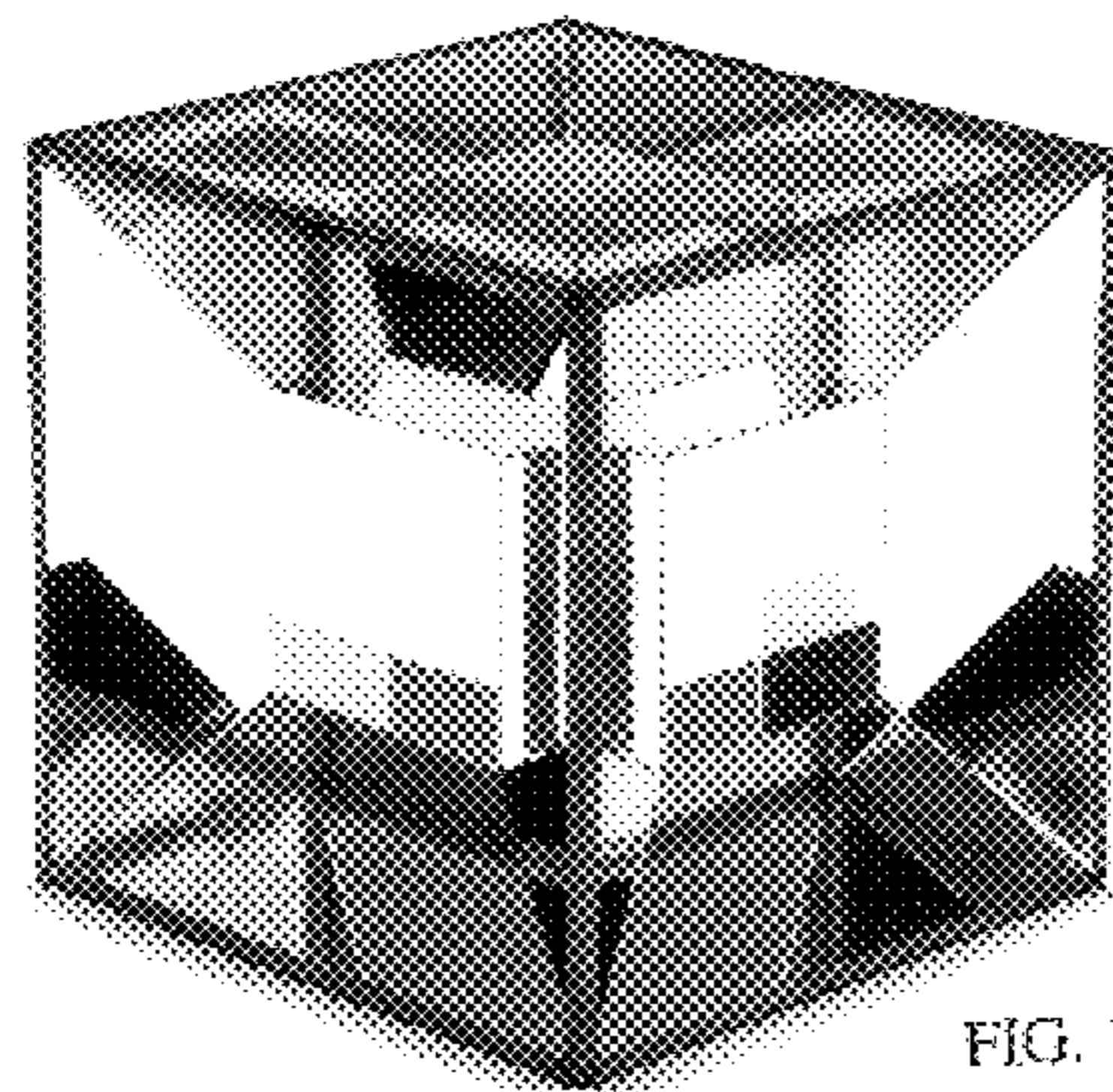


FIG. 10

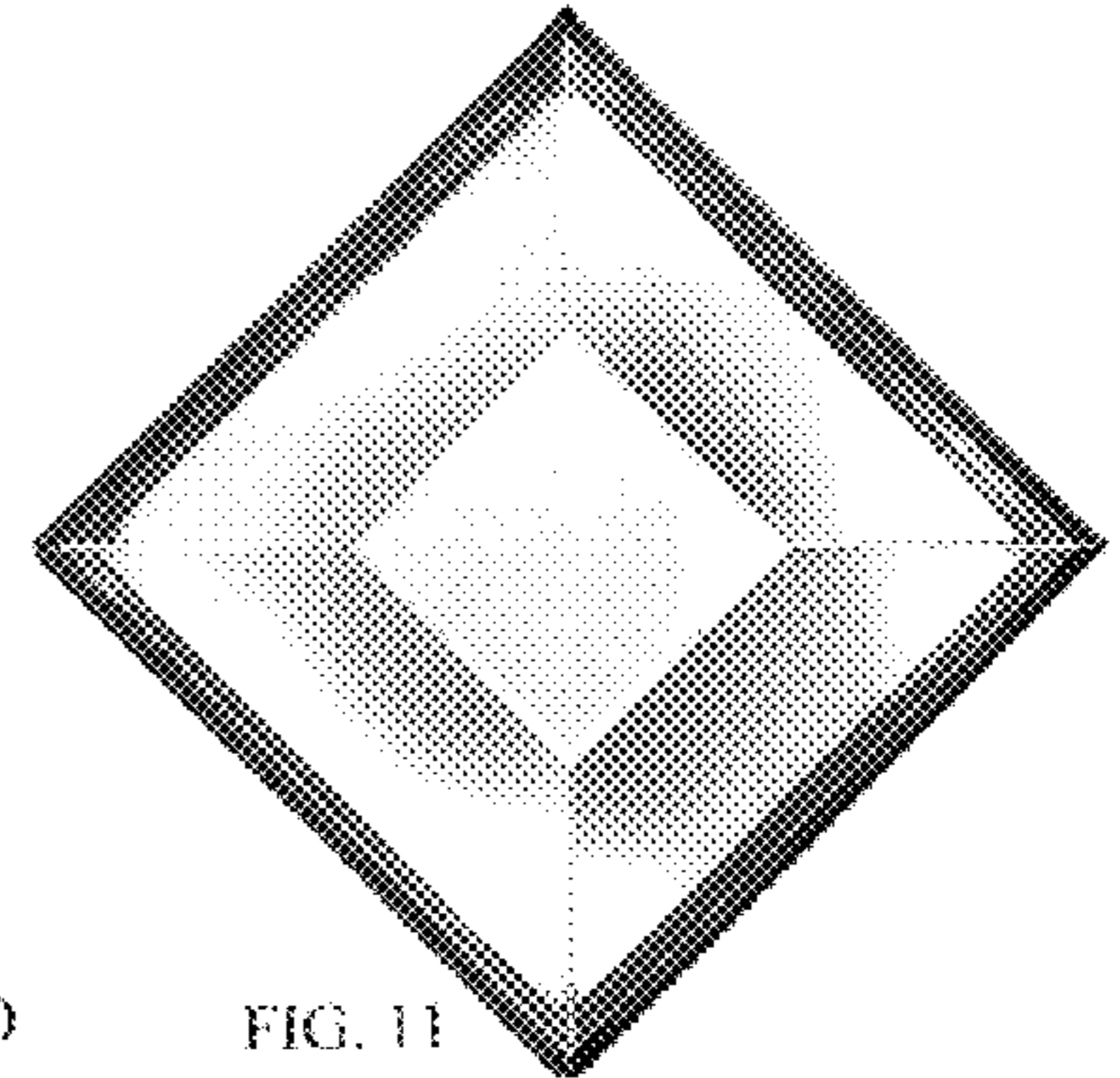


FIG. 11