



US00D449235B1

(12) **United States Design Patent**
Stekelenburg

(10) **Patent No.:** **US D449,235 S**

(45) **Date of Patent:** **** Oct. 16, 2001**

(54) **TIMER**

(75) **Inventor:** **Albert Stekelenburg, Taipei (TW)**

(73) **Assignee:** **All-Time Inc., Taipei (TW)**

(**) **Term:** **14 Years**

(21) **Appl. No.:** **29/140,598**

(22) **Filed:** **Apr. 23, 2001**

(51) **LOC (7) Cl.** **10-03**

(52) **U.S. Cl.** **D10/40**

(58) **Field of Search** D10/1-5, 14-40,
D10/122-132; D13/137.3, 139.1, 139.3,
139.4; 200/35 H, 35 R, 36, 37 A, 38 A,
38 B, 38 F, 38 FA, 38 D, 38 DA, 38 DC,
38 FB, 38 R; 307/141.4; 368/96-100, 107-113,
246-248, 276-277, 327

(56) **References Cited**

U.S. PATENT DOCUMENTS

D. 288,299 * 2/1987 Mark D10/40

D. 352,472 * 11/1994 Chen D13/137.3

D. 428,347 * 7/2000 Stekelenburg D10/40

D. 437,787 * 2/2001 Ho D10/40

* cited by examiner

Primary Examiner—Doris V. Coles

Assistant Examiner—Elizabeth A. Albert

(74) *Attorney, Agent, or Firm*—Dougherty & Troxell

(57) **CLAIM**

The ornamental design for a timer, as shown and described.

DESCRIPTION

FIG. 1 is a top view of a timer showing my new design;

FIG. 2 is a front view thereof;

FIG. 3 is a left side elevational view thereof;

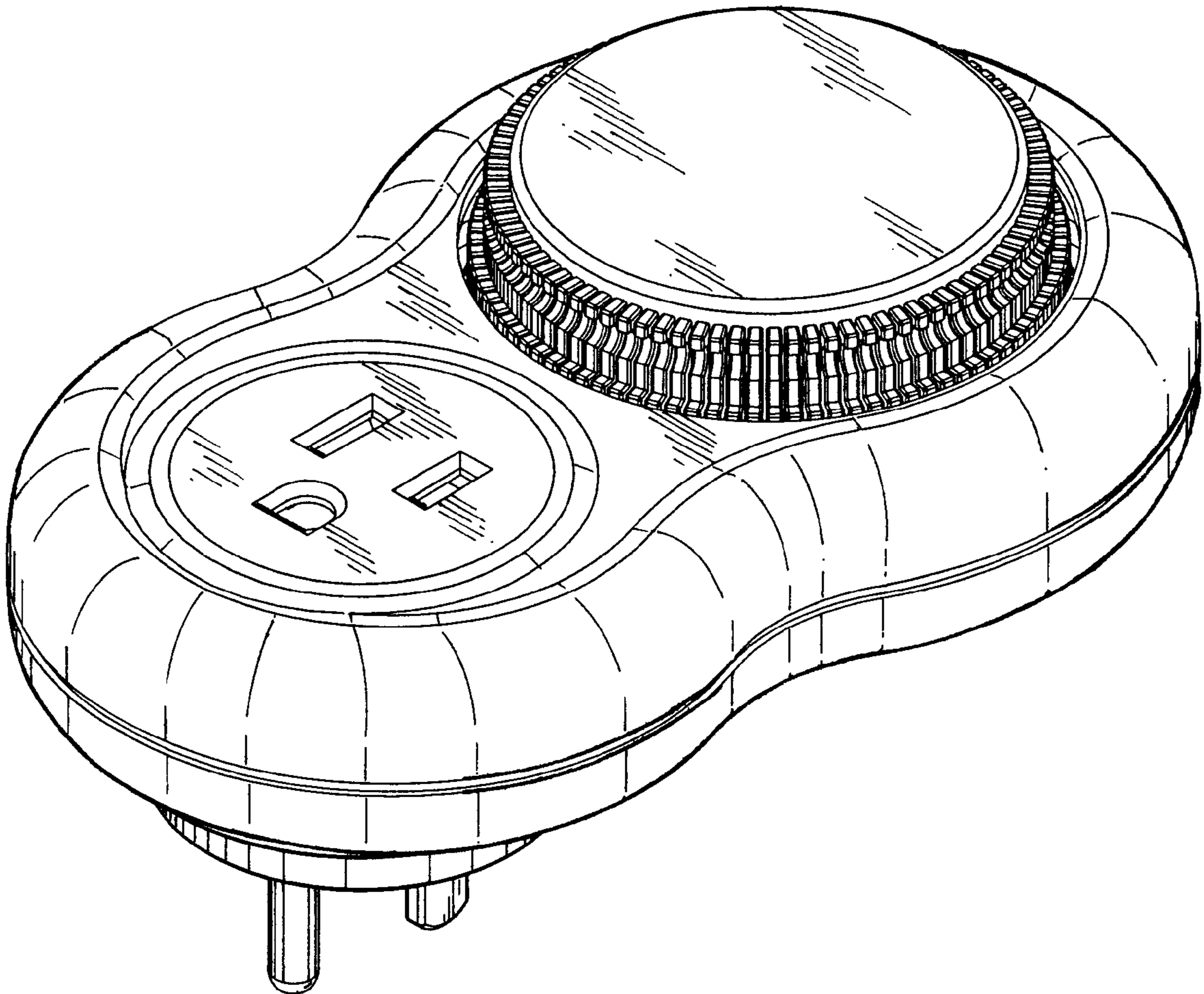
FIG. 4 is a right side elevational view thereof;

FIG. 5 is a rear view thereof;

FIG. 6 is a bottom view thereof; and,

FIG. 7 is a perspective view thereof.

1 Claim, 3 Drawing Sheets



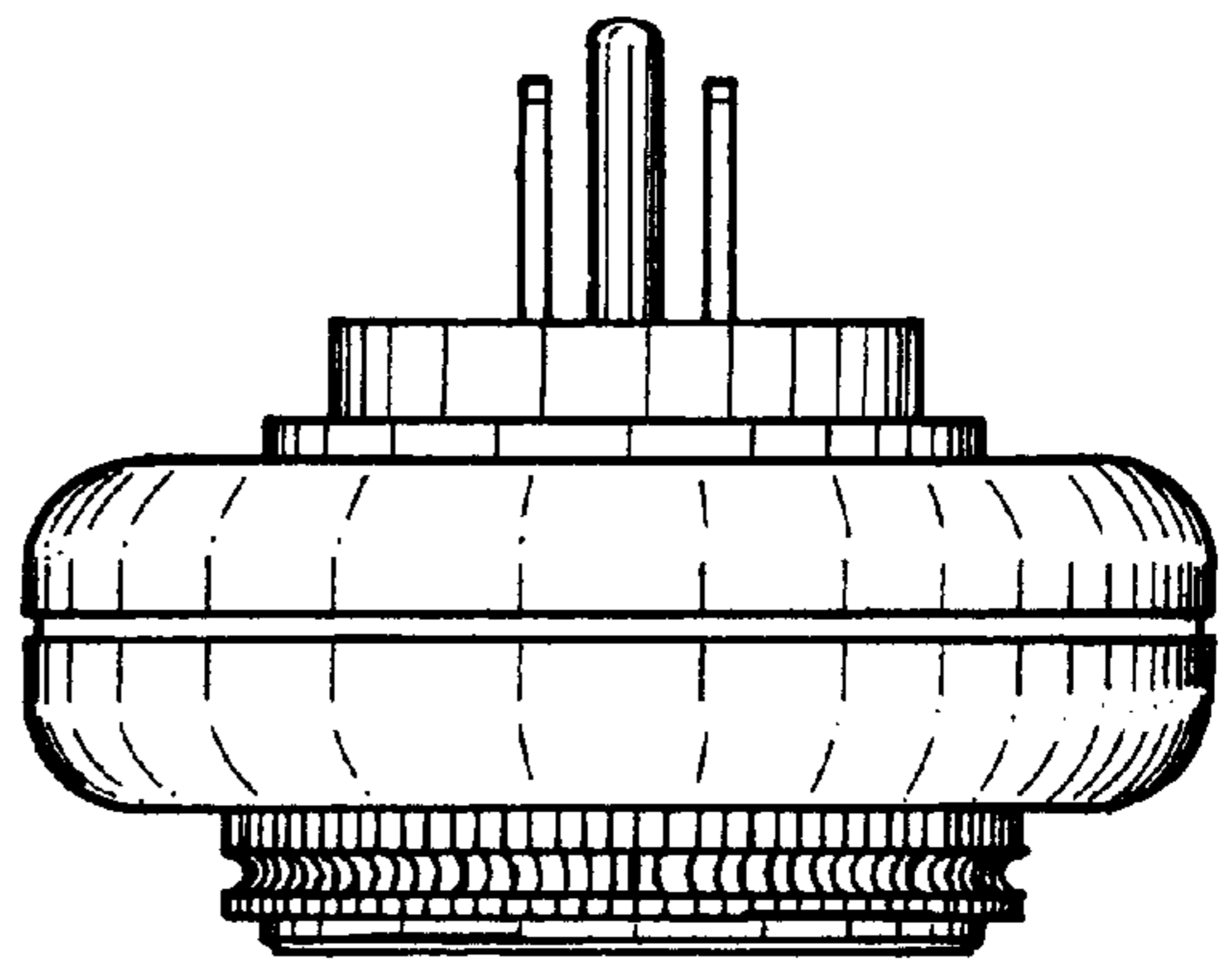


FIG. 1

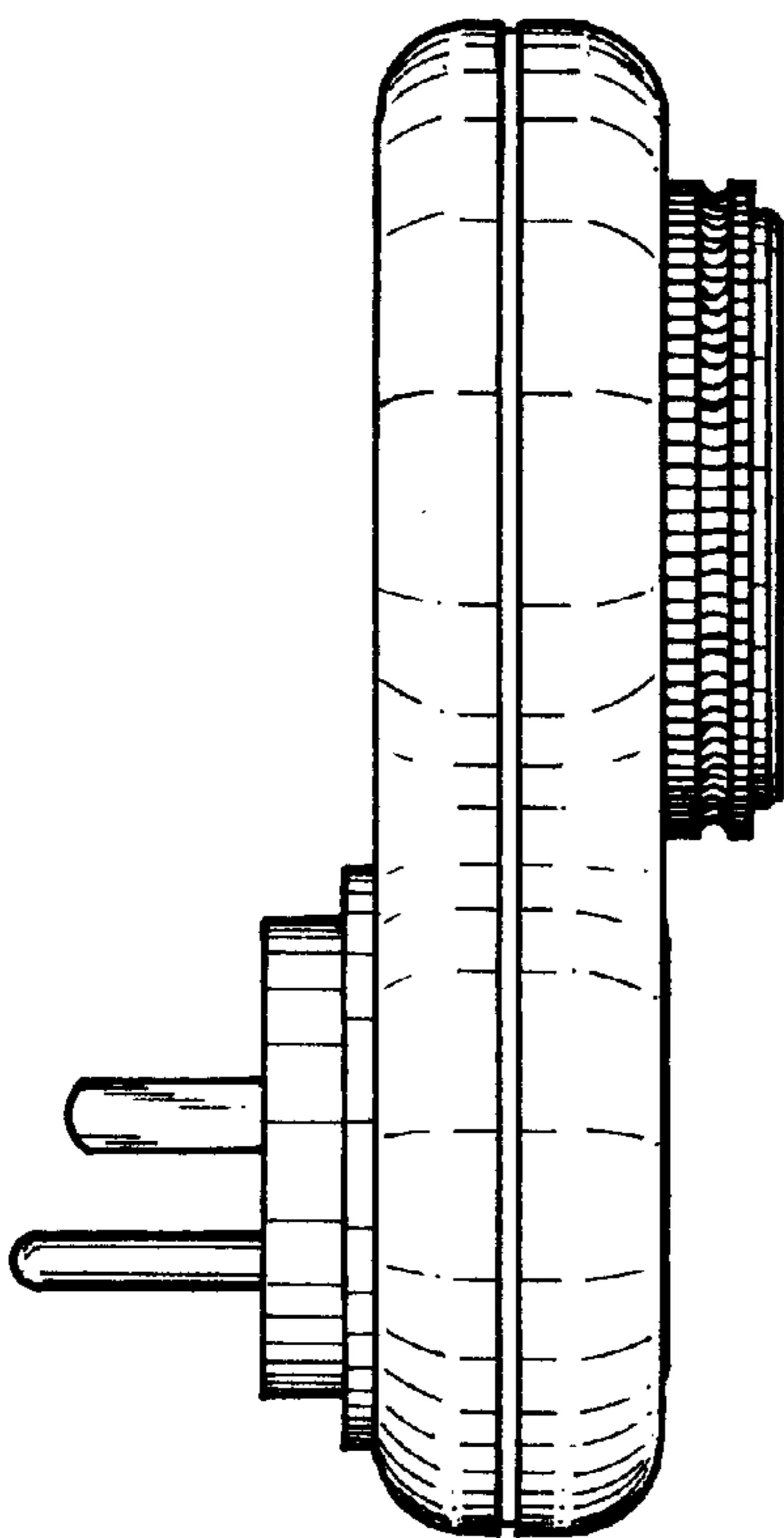


FIG. 3

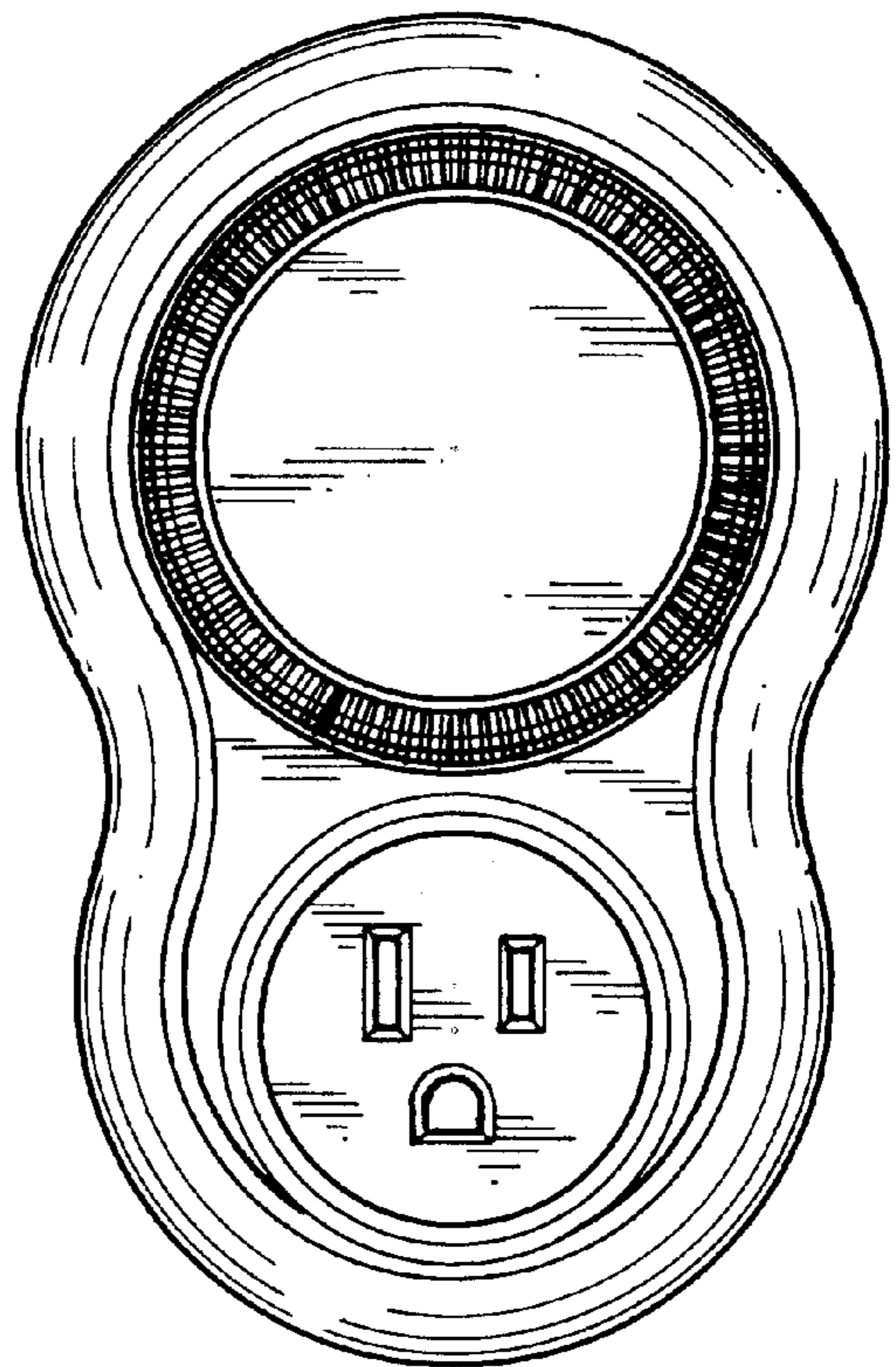


FIG. 2

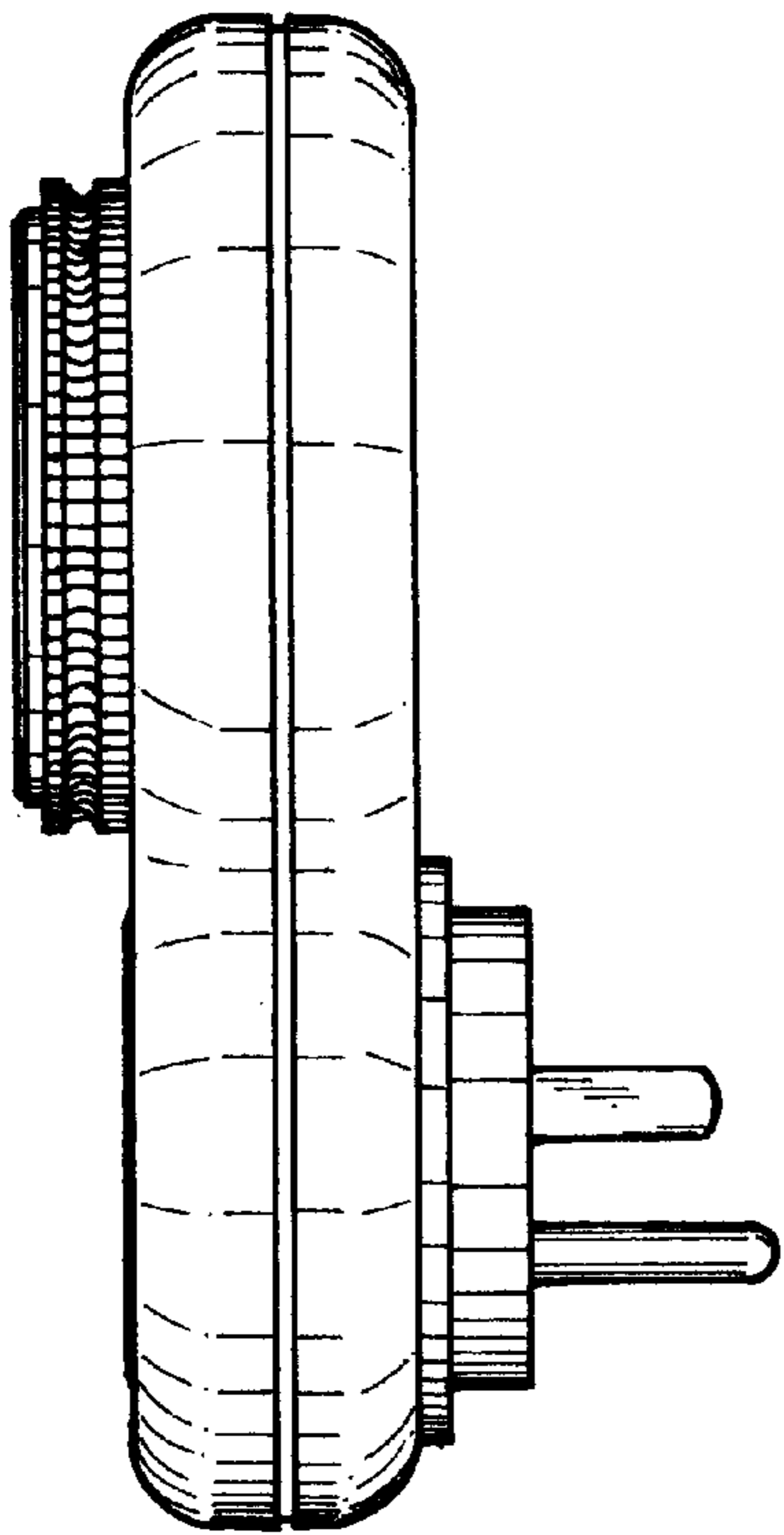


FIG. 4

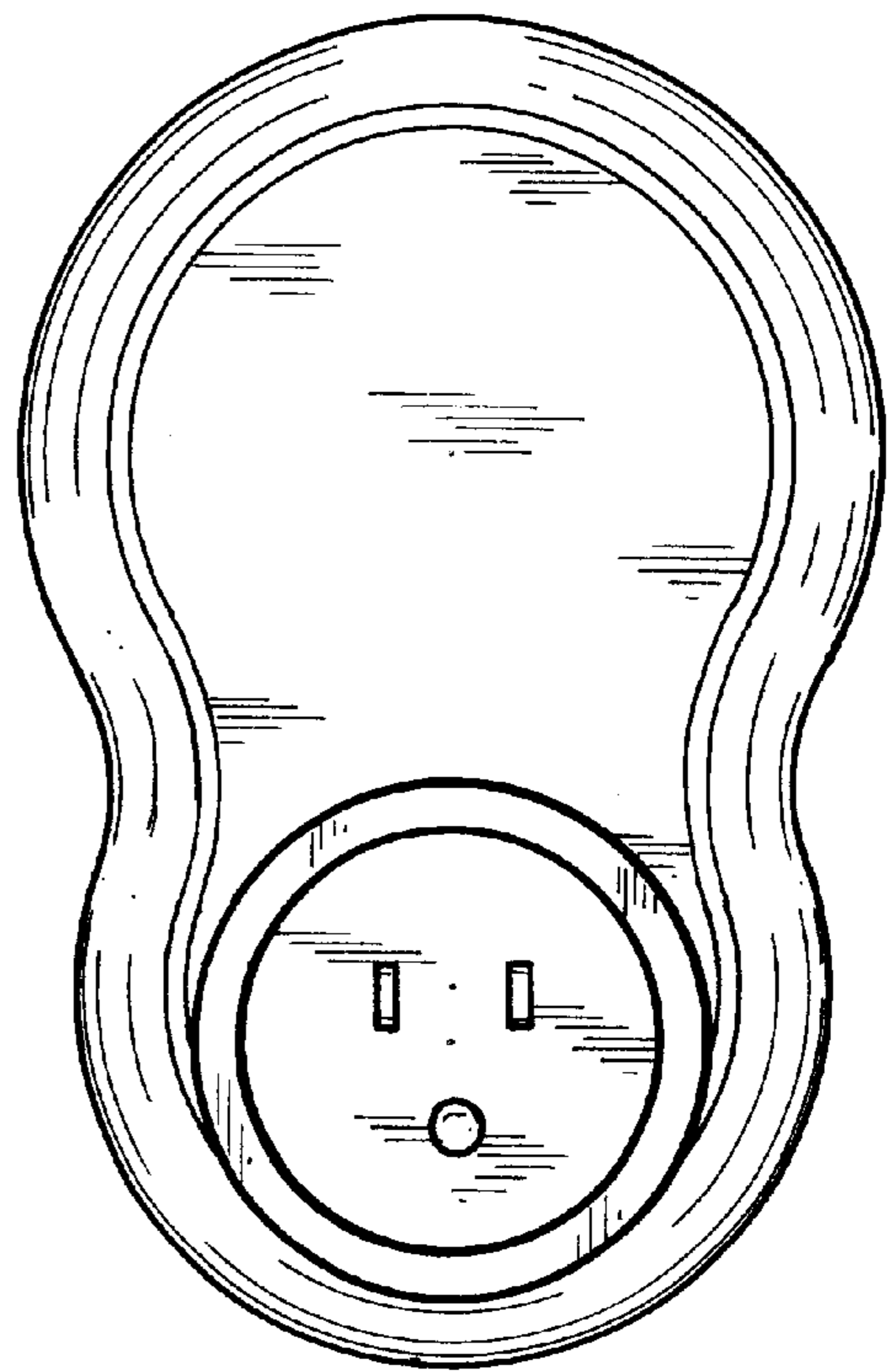


FIG. 5

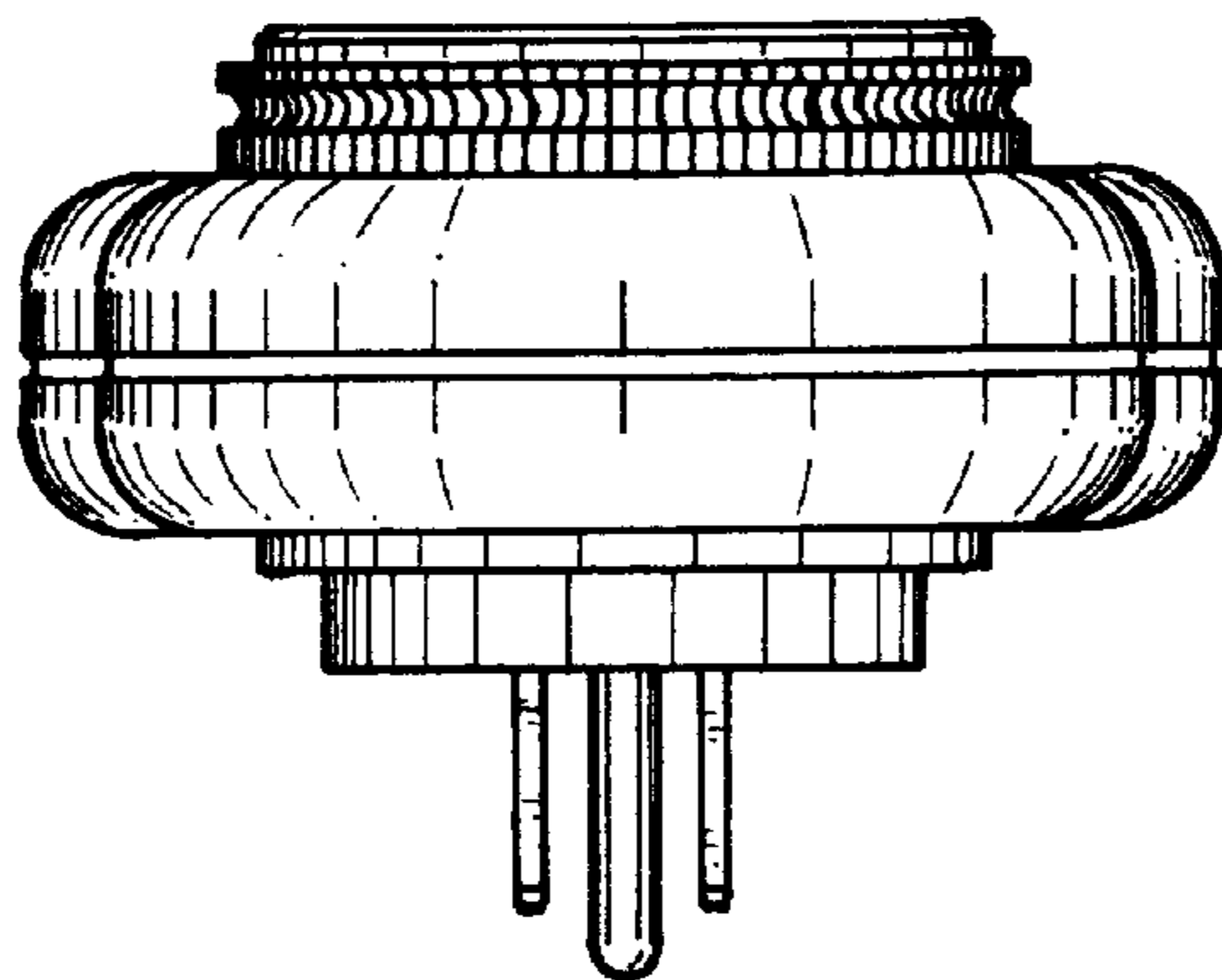


FIG. 6

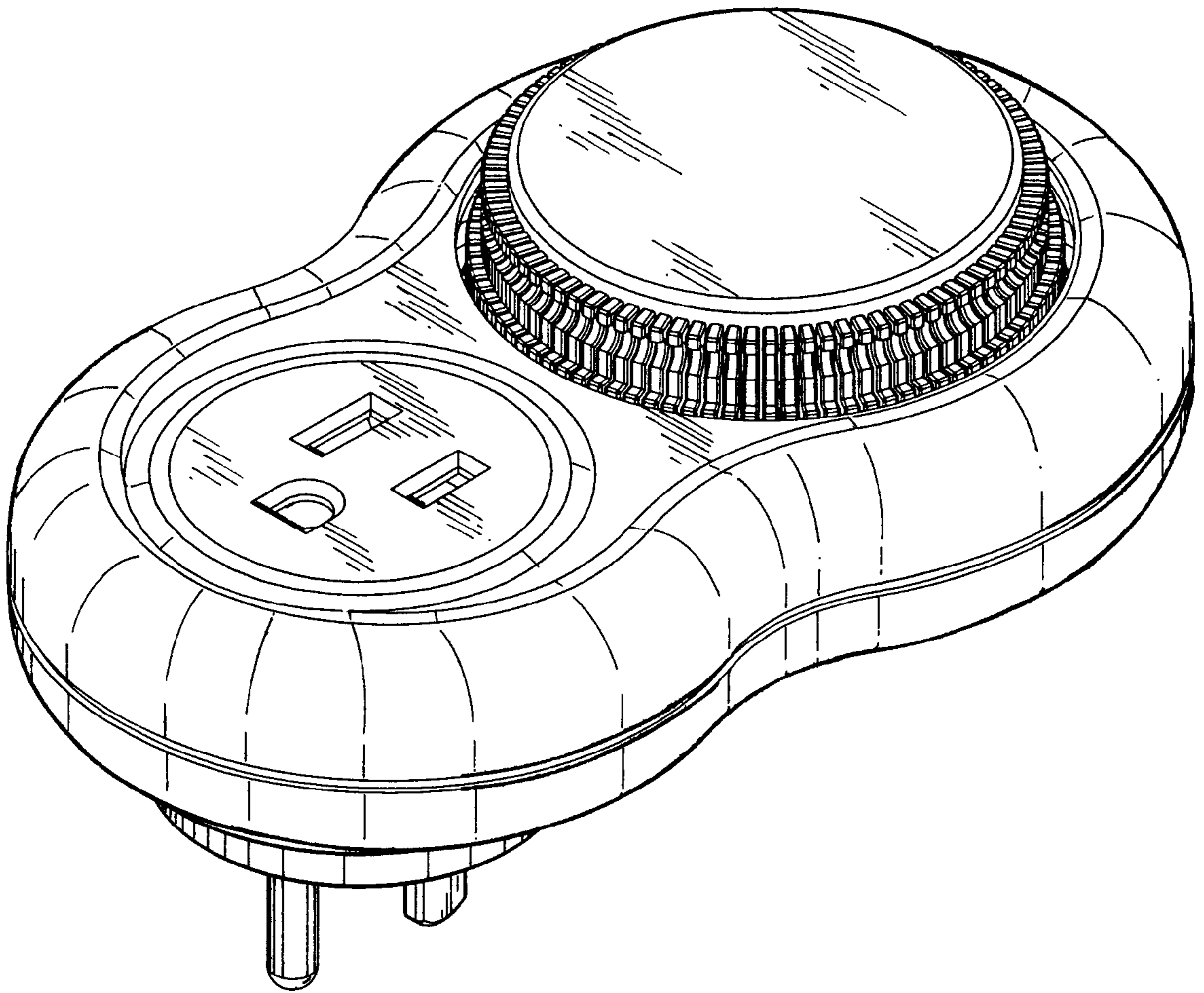


FIG. 7