



US00D449232B1

(12) **United States Design Patent**
Ancona et al.

(10) **Patent No.:** **US D449,232 S**

(45) **Date of Patent:** **** Oct. 16, 2001**

(54) **TIMER**

(75) Inventors: **Bruce E. Ancona; Joseph E. Gasparino**, both of New York, NY (US)

(73) Assignee: **World Kitchen, Inc.**, Elmira, NY (US)

(**) Term: **14 Years**

(21) Appl. No.: **29/117,032**

(22) Filed: **Jan. 14, 2000**

(51) **LOC (7) Cl.** **10-03**

(52) **U.S. Cl.** **D10/40**

(58) **Field of Search** 200/35 H, 35 R, 200/36, 37 A, 38 A, 38 B, 38 F, 38 FA, 38 D, 38 DA, 38 DC, 38 FB, 38 R; D13/137.3, 139.1, 139.3, 139.4; 307/141.4; 368/96-100, 107-113, 246-248, 276-277, 327; D10/1-5, 14-40, 122-132

(56) **References Cited**

U.S. PATENT DOCUMENTS

D. 192,382 * 3/1962 Vogt D10/40

D. 232,920 * 9/1974 Rodriguez D10/40
D. 420,601 2/2000 Percy D10/40

* cited by examiner

Primary Examiner—Doris V. Coles

Assistant Examiner—Elizabeth A. Albert

(74) *Attorney, Agent, or Firm*—Wolf, Greenfield & Sacks, P.C.

(57) **CLAIM**

The ornamental design for a timer, as shown and described.

DESCRIPTION

FIG. 1 is a side top perspective view of a timer showing our new design.

FIG. 2 is a front view thereof;

FIG. 3 is a rear view thereof;

FIG. 4 is a left side view thereof;

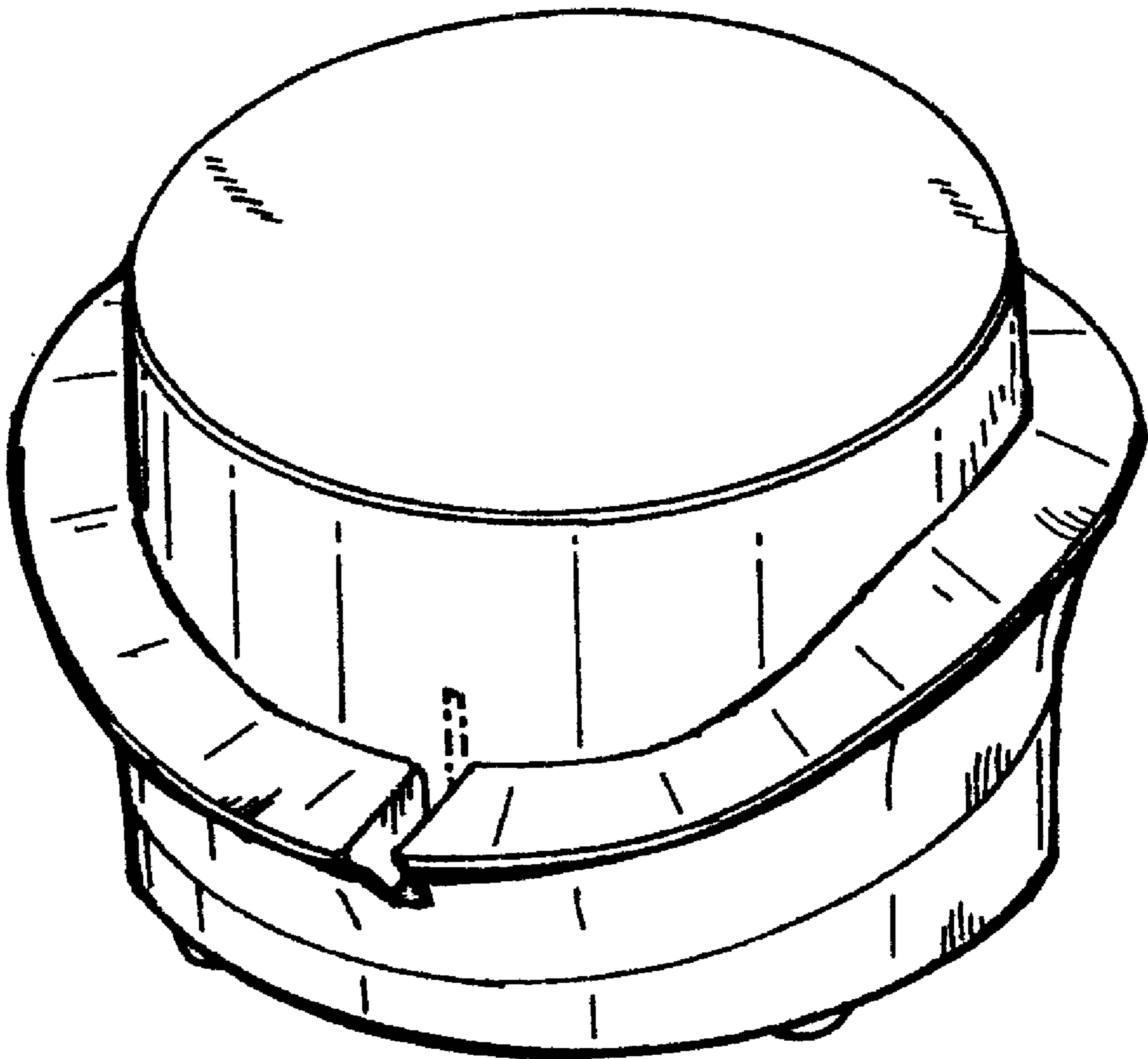
FIG. 5 is a right side view thereof;

FIG. 6 is a top view thereof; and,

FIG. 7 is a bottom view thereof.

The broken line showing of a timing marker in FIGS. 1 and 2 is for illustrative purposes only and forms no part of the claimed design.

1 Claim, 2 Drawing Sheets



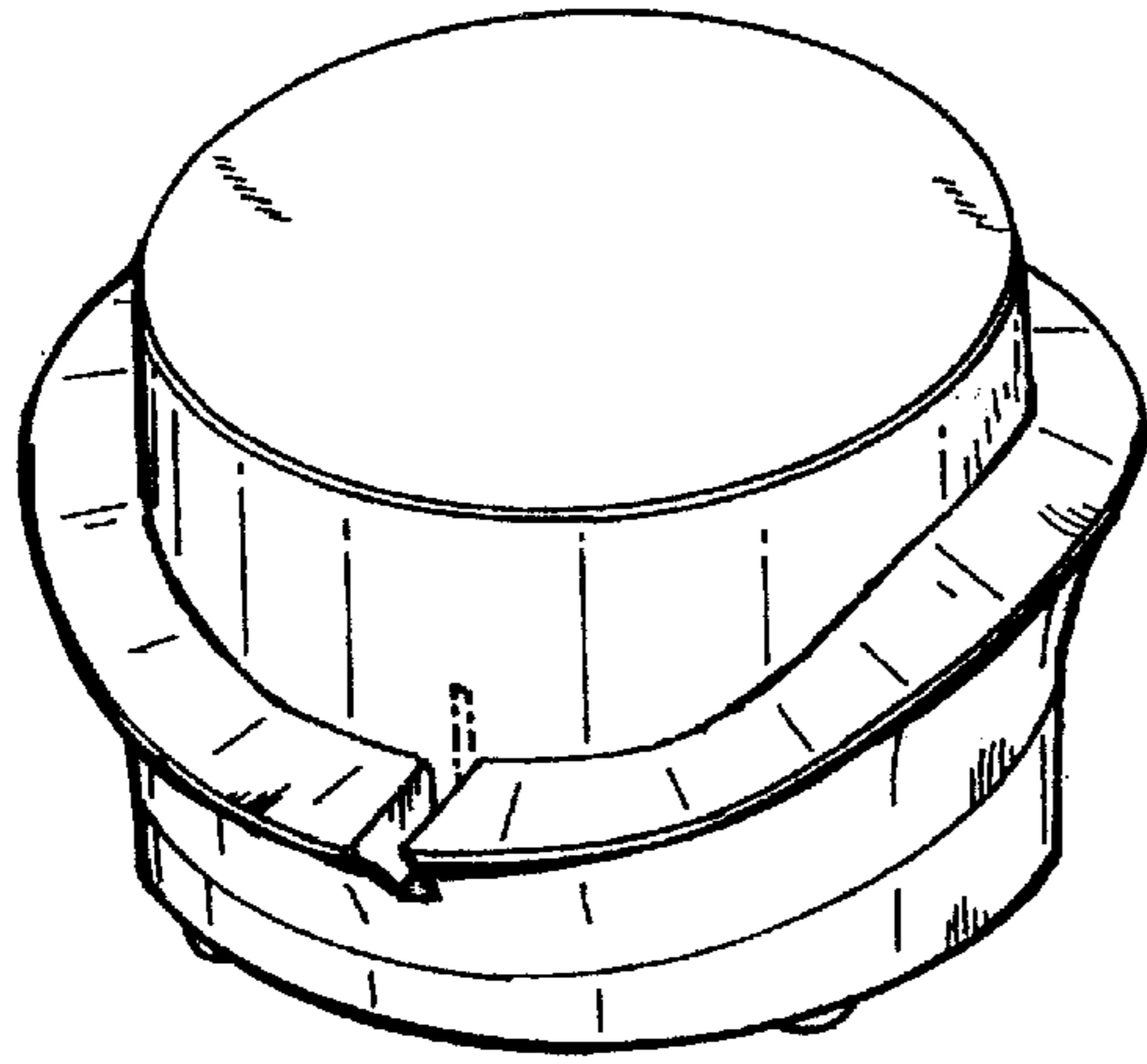


Fig. 1

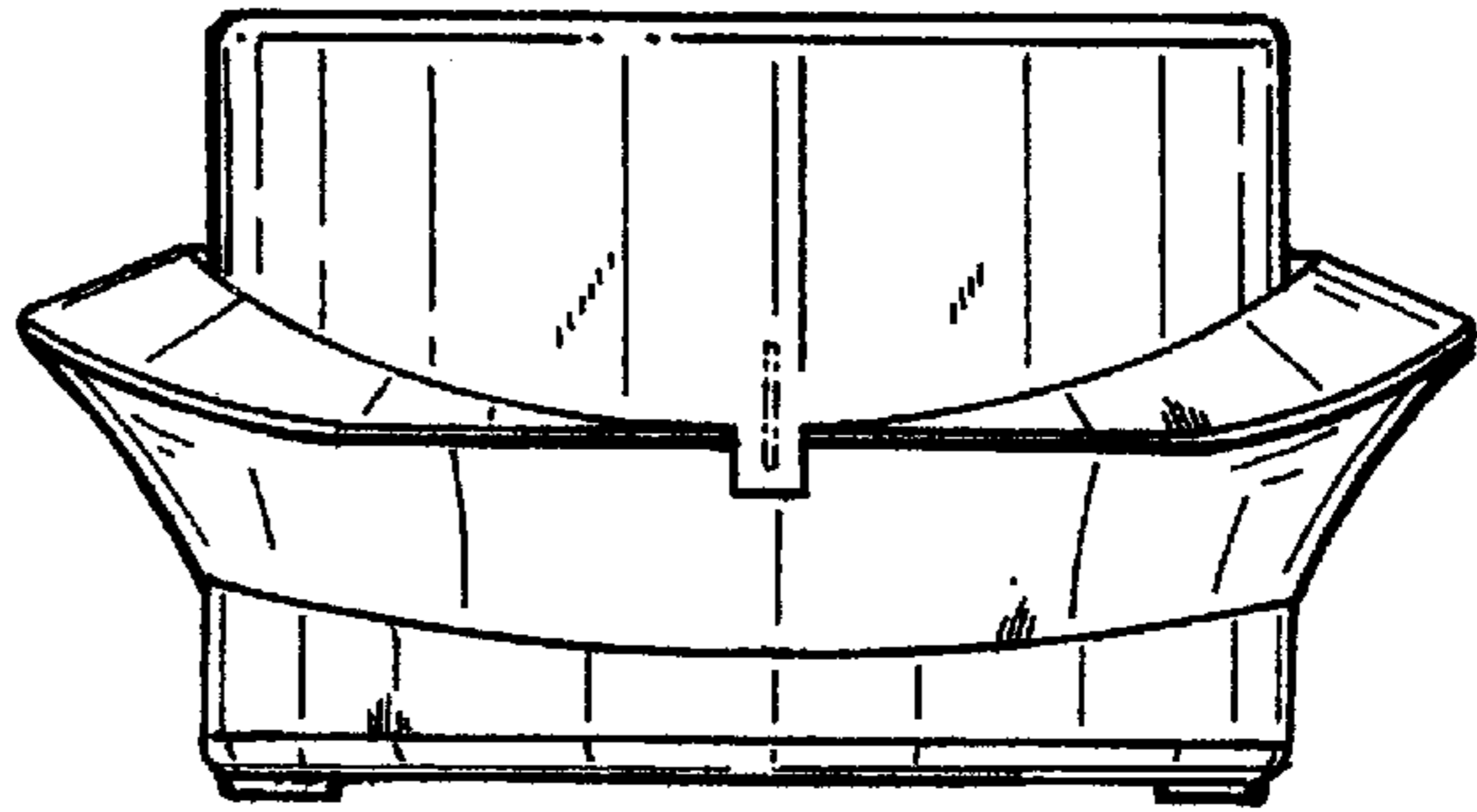


Fig. 2

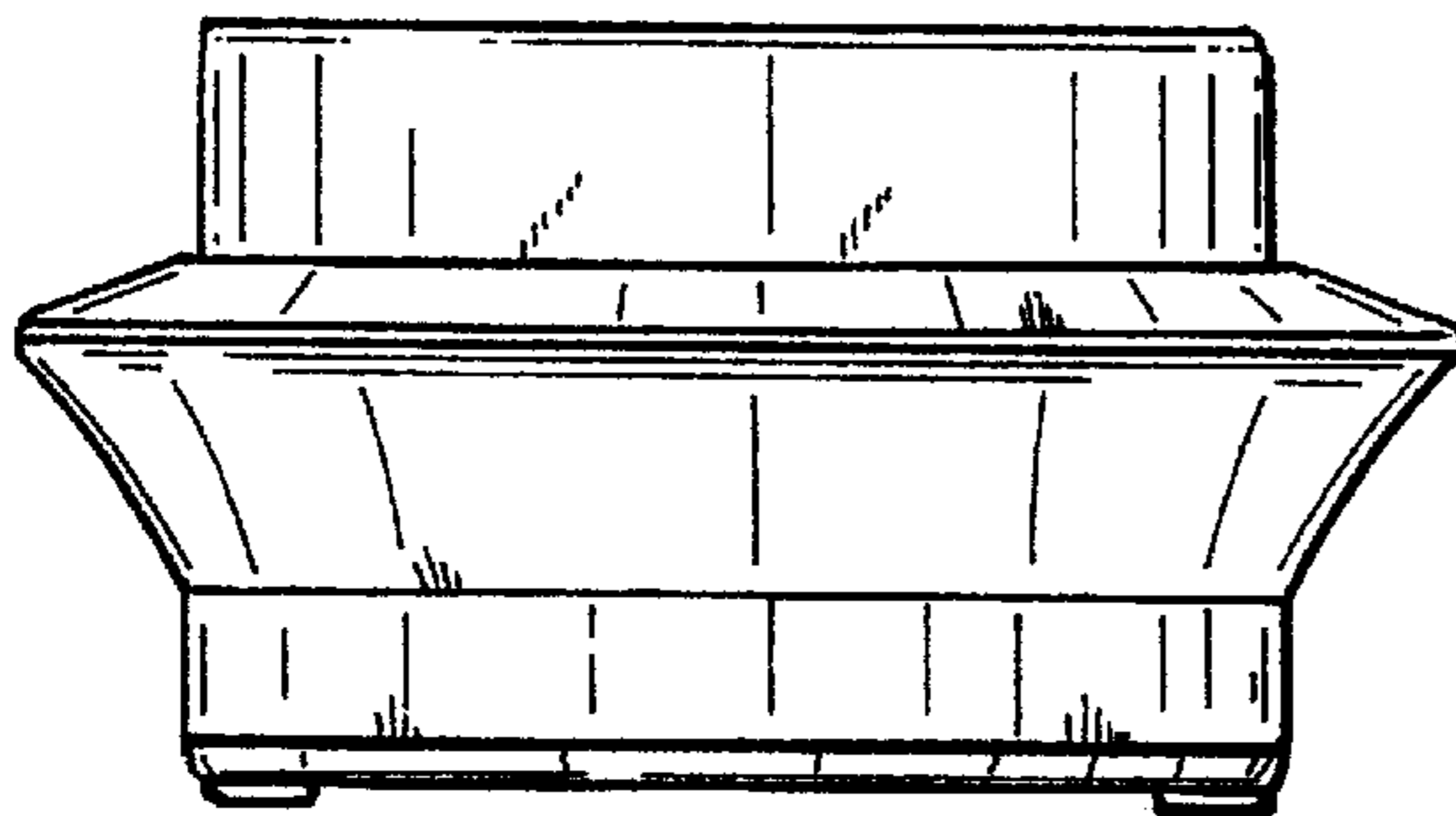


Fig. 3

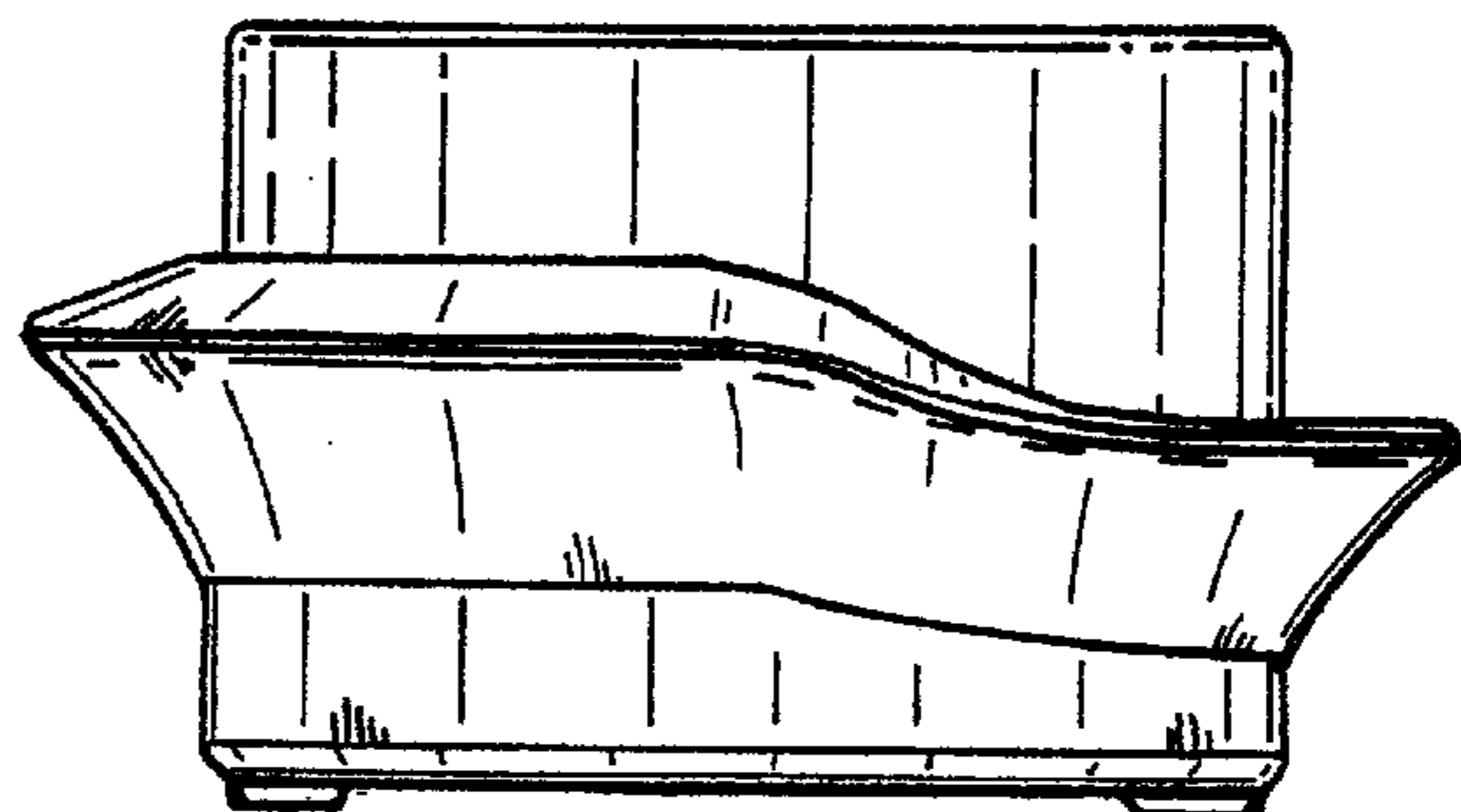


Fig. 4

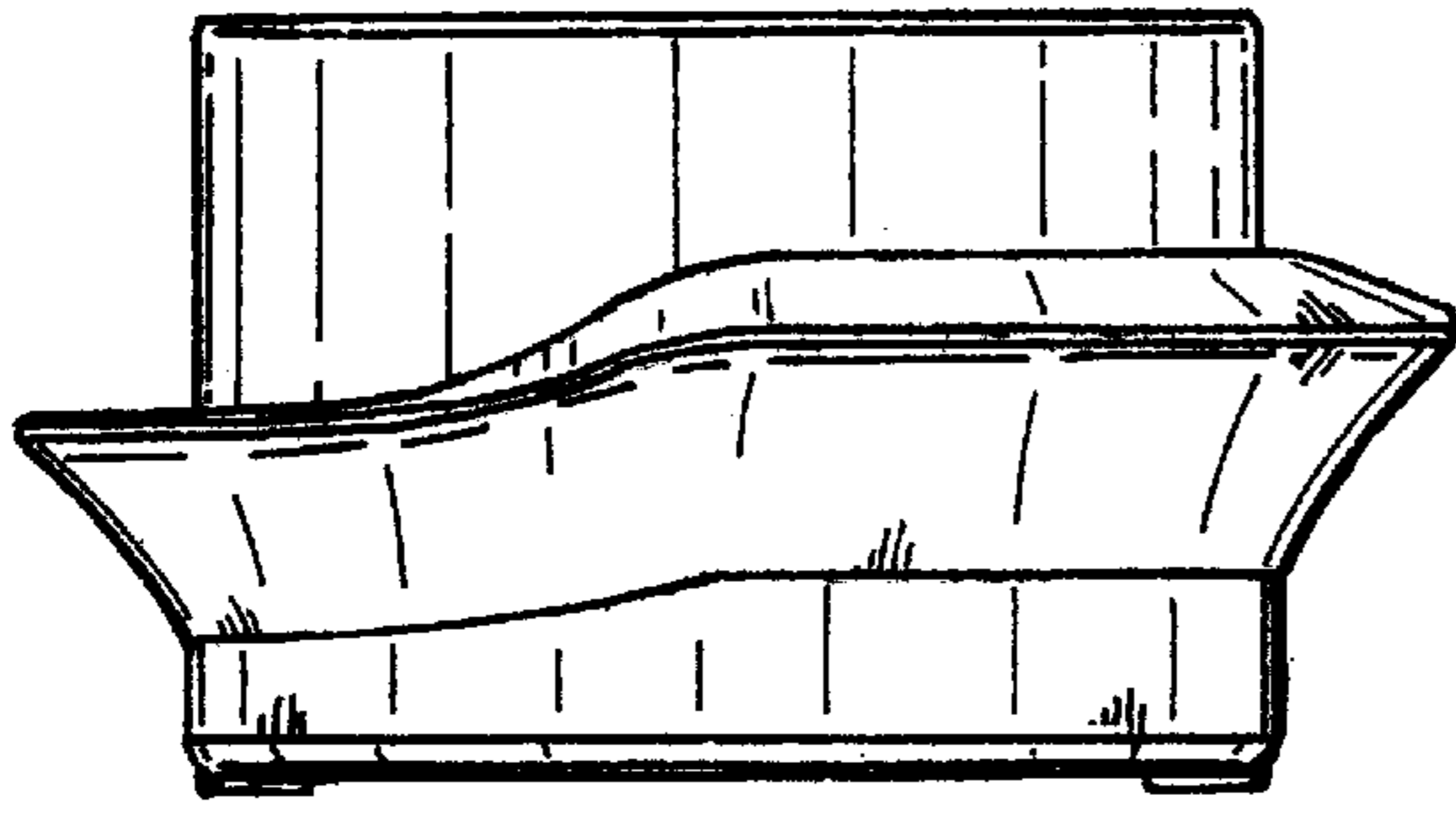


Fig. 5

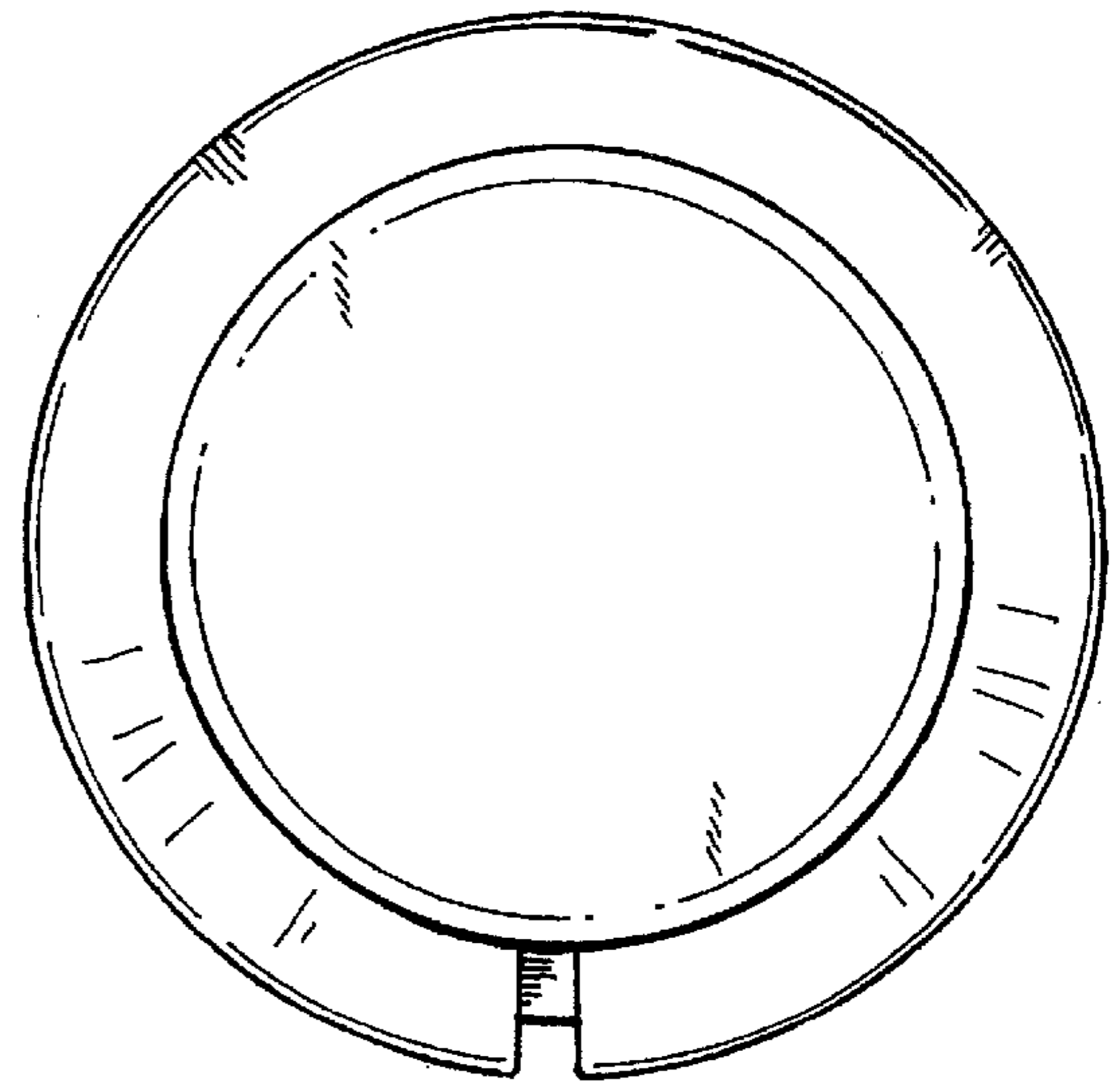


Fig. 6

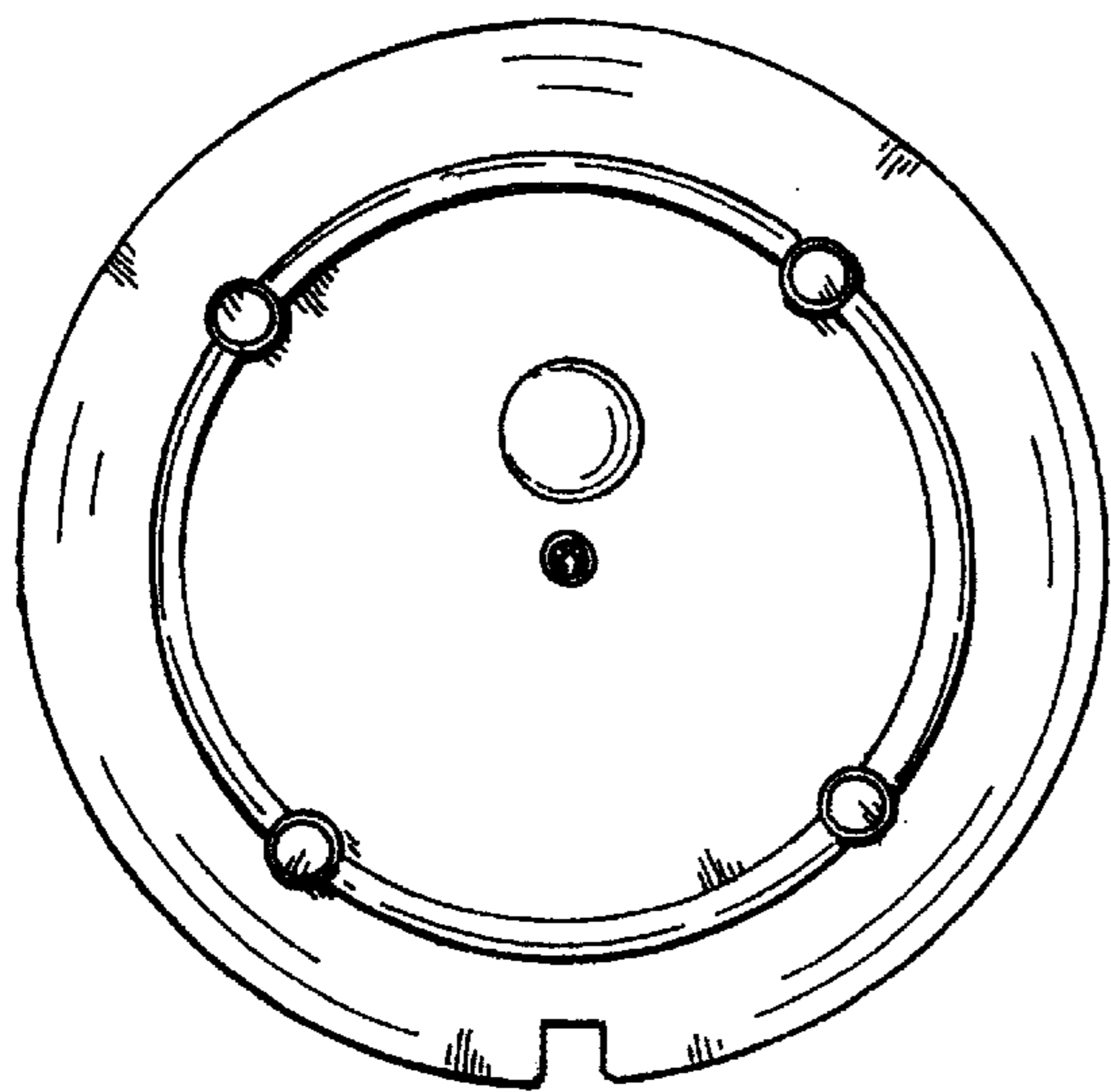


Fig. 7