



US00D449227B1

(12) **United States Design Patent**  
**Walther et al.**

(10) **Patent No.:** **US D449,227 S**

(45) **Date of Patent:** **\*\* Oct. 16, 2001**

(54) **DISPENSING DEVICE**

(75) Inventors: **John Dwayne Walther**, Loveland, OH (US); **Christophe Nicolas Degoix**, Brussels (BE); **Stephen William Sikra**, Erlanger, KY (US); **Felix James Scarlett**, SouthHeath (GB)

(73) Assignee: **The Procter & Gamble Company**, Cincinnati, OH (US)

(\*\*) Term: **14 Years**

(21) Appl. No.: **29/136,182**

(22) Filed: **Jan. 25, 2001**

**Related U.S. Application Data**

(62) Division of application No. 29/109,484, filed on Aug. 16, 1999, now Pat. No. Des. 439,841.

(51) **LOC (7) Cl.** ..... **09-07**

(52) **U.S. Cl.** ..... **D9/447**

(58) **Field of Search** ..... D9/444-5, 447-8, D9/503-4, 529, 300; D23/225; 215/260; 220/915; 239/333, 337; 222/1, 153.1, 153.11, 182, 402.11, 402.13, 402.14, 402.21, 494, 546; 401/186, 209, 316

(56) **References Cited**

**U.S. PATENT DOCUMENTS**

D. 143,264 \* 12/1945 Boe ..... D9/300

D. 204,827	*	5/1966	Abramson	.....	D9/300
D. 233,593	*	11/1974	Chatham	.....	D9/300
D. 338,622	*	8/1993	Van Leer	.....	D9/435
D. 352,890	*	11/1994	Weiss	.....	D9/300
D. 382,812	*	8/1997	Kokenge et al.	.....	D9/543
D. 397,420	*	8/1998	Campbell	.....	D23/225
D. 419,871	*	2/2000	Hall et al.	.....	D9/434
D. 439,841	*	4/2001	Walther et al.	.....	D9/447
3,940,025	*	2/1976	Anderson	.....	222/182
5,887,753	*	3/1999	Poolman	.....	222/494

\* cited by examiner

*Primary Examiner*—Robert M. Spear

(74) *Attorney, Agent, or Firm*—C. Brant Cook; Kim William Zerby; Steven W. Miller

(57) **CLAIM**

The ornamental design for a dispensing device, as shown and described.

**DESCRIPTION**

FIG. 1 is a perspective view of an alternative embodiment of the dispensing device;

FIG. 2 is a side elevational view thereof, the opposite side elevational view thereof being a mirror image thereof;

FIG. 3 is a top planar view thereof;

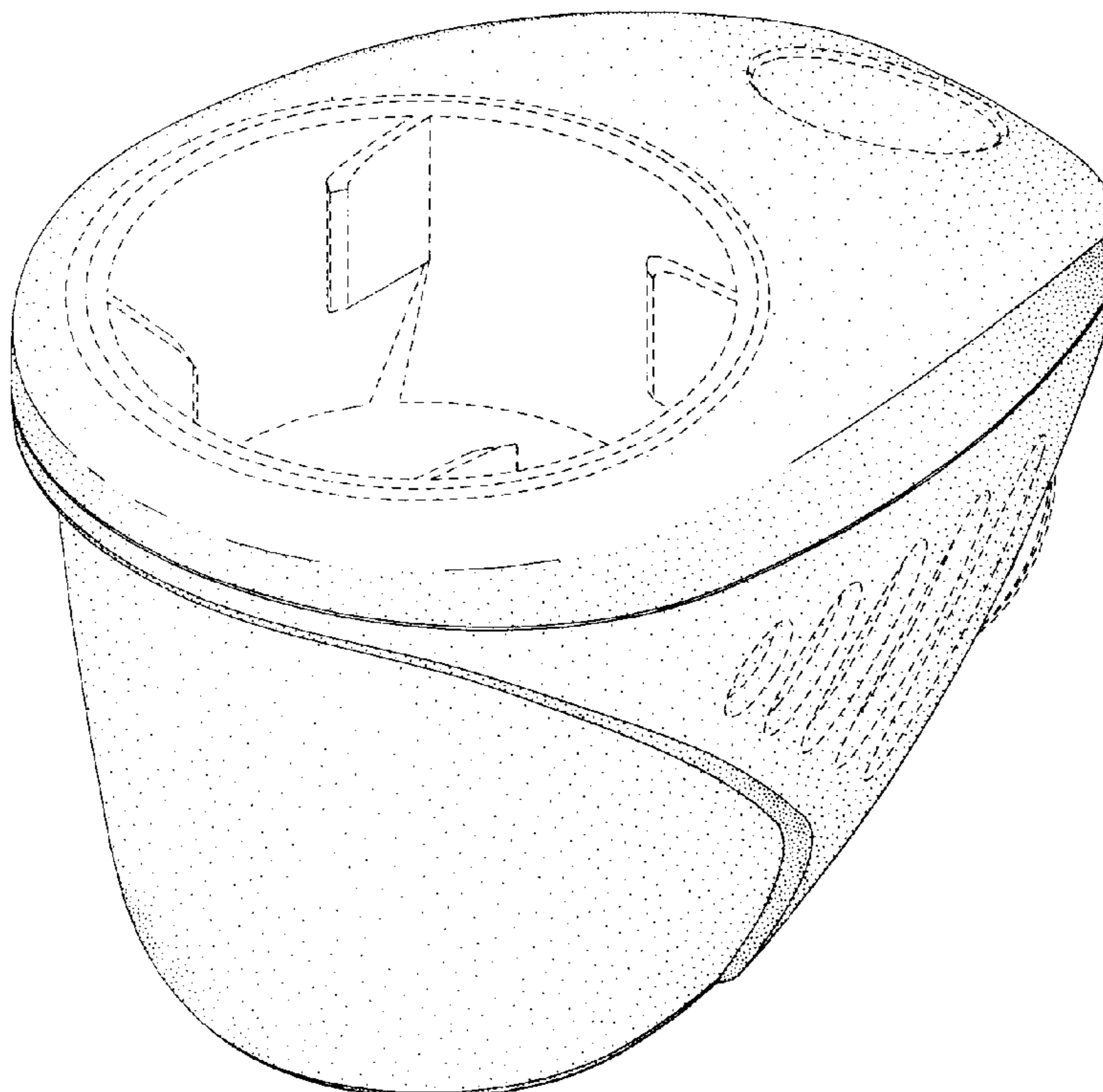
FIG. 4 is a bottom planar view thereof;

FIG. 5 is a front elevational view thereof; and,

FIG. 6 is a rear elevational view thereof.

The broken lines shown in the drawings are for illustrative purposes only and form no part of the claimed design.

**1 Claim, 3 Drawing Sheets**



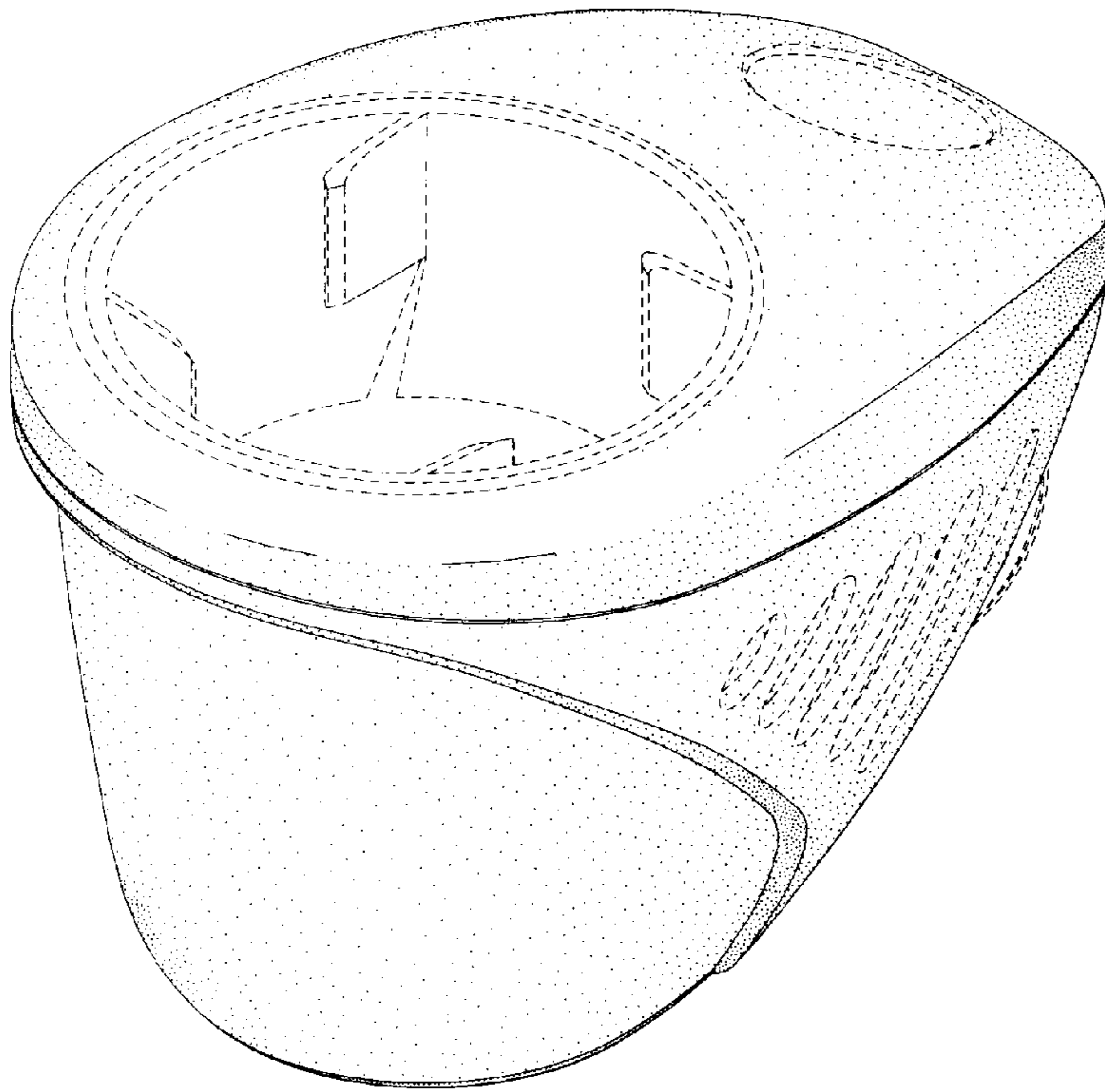


Fig. 1

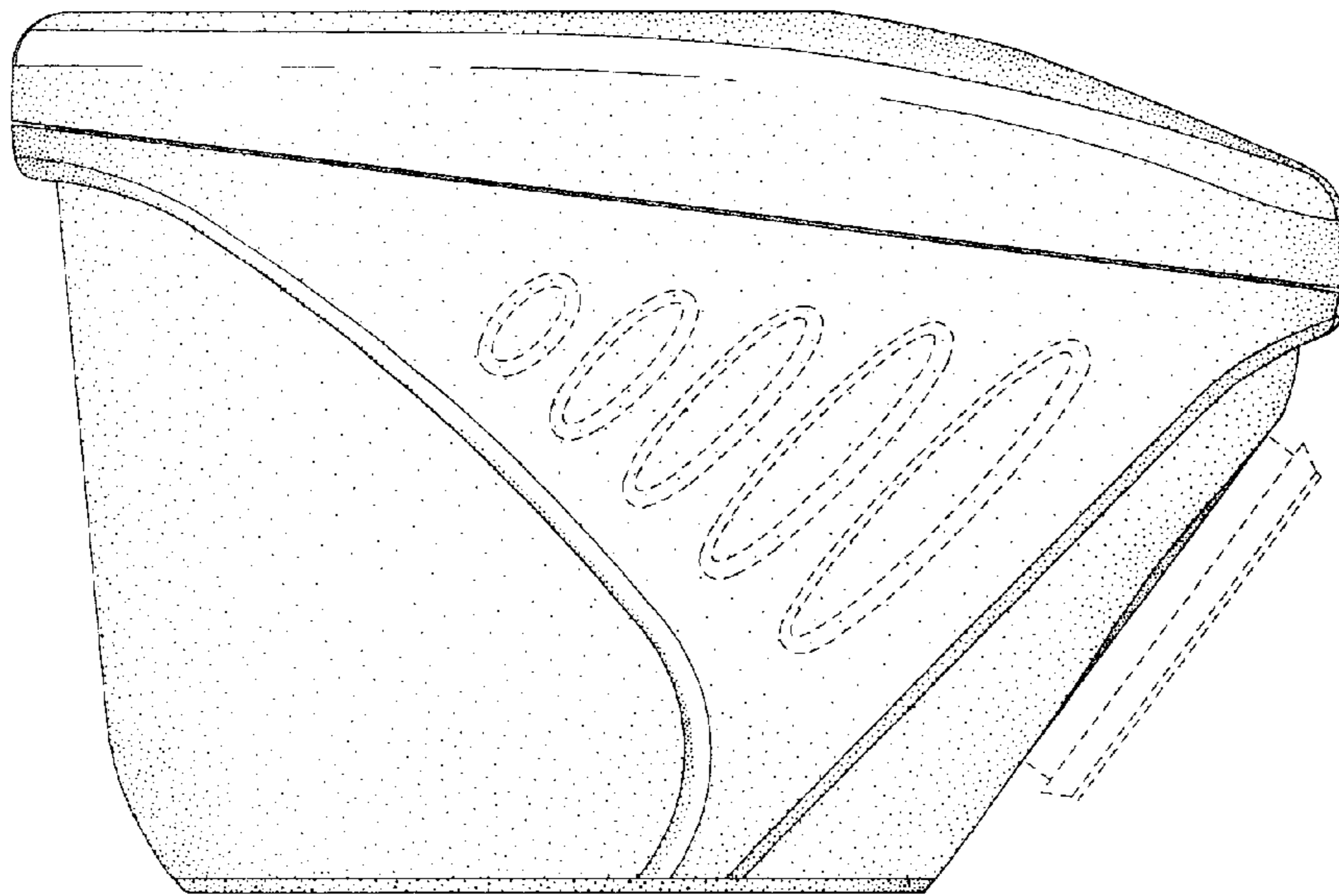


Fig. 2

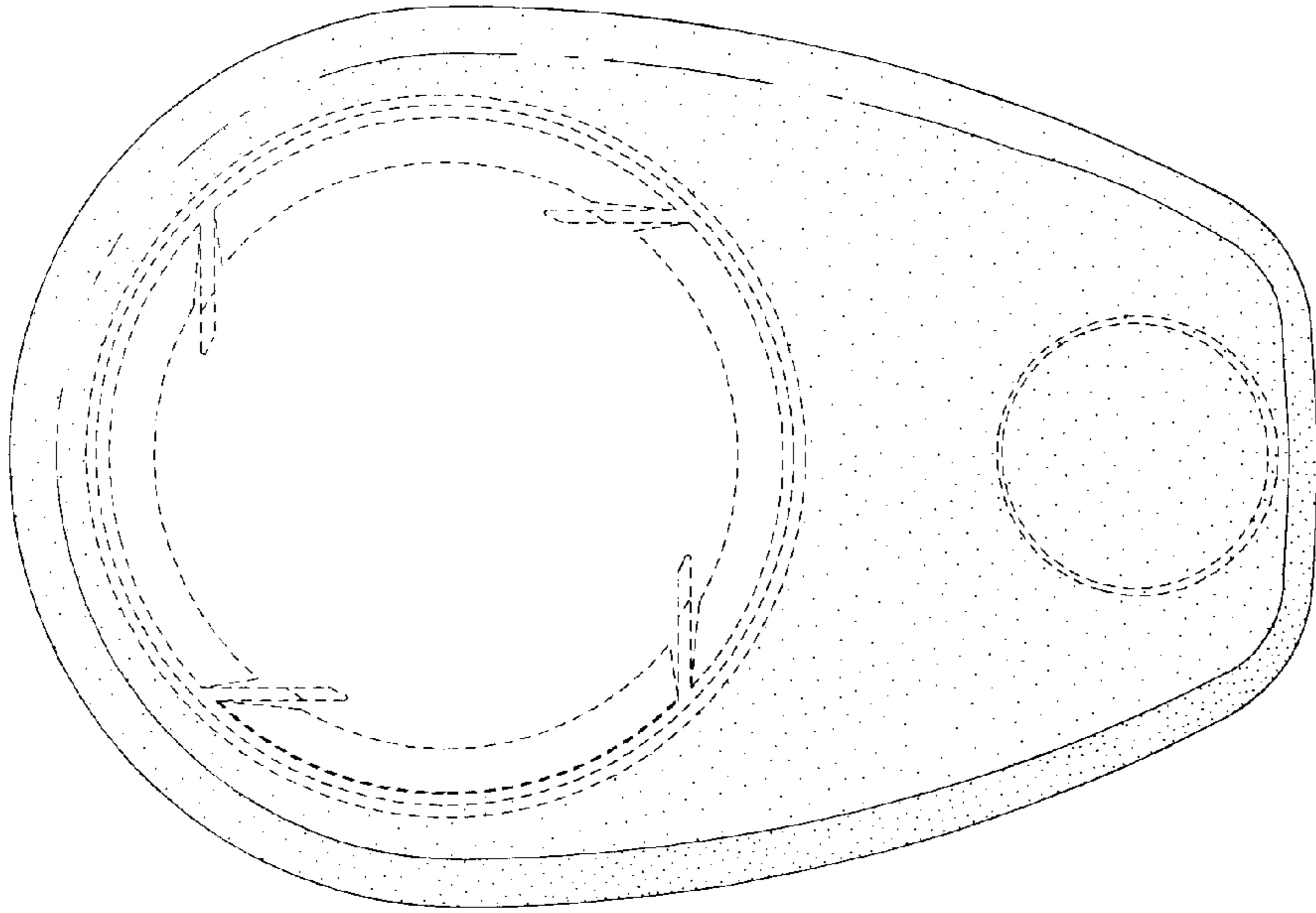


Fig. 3

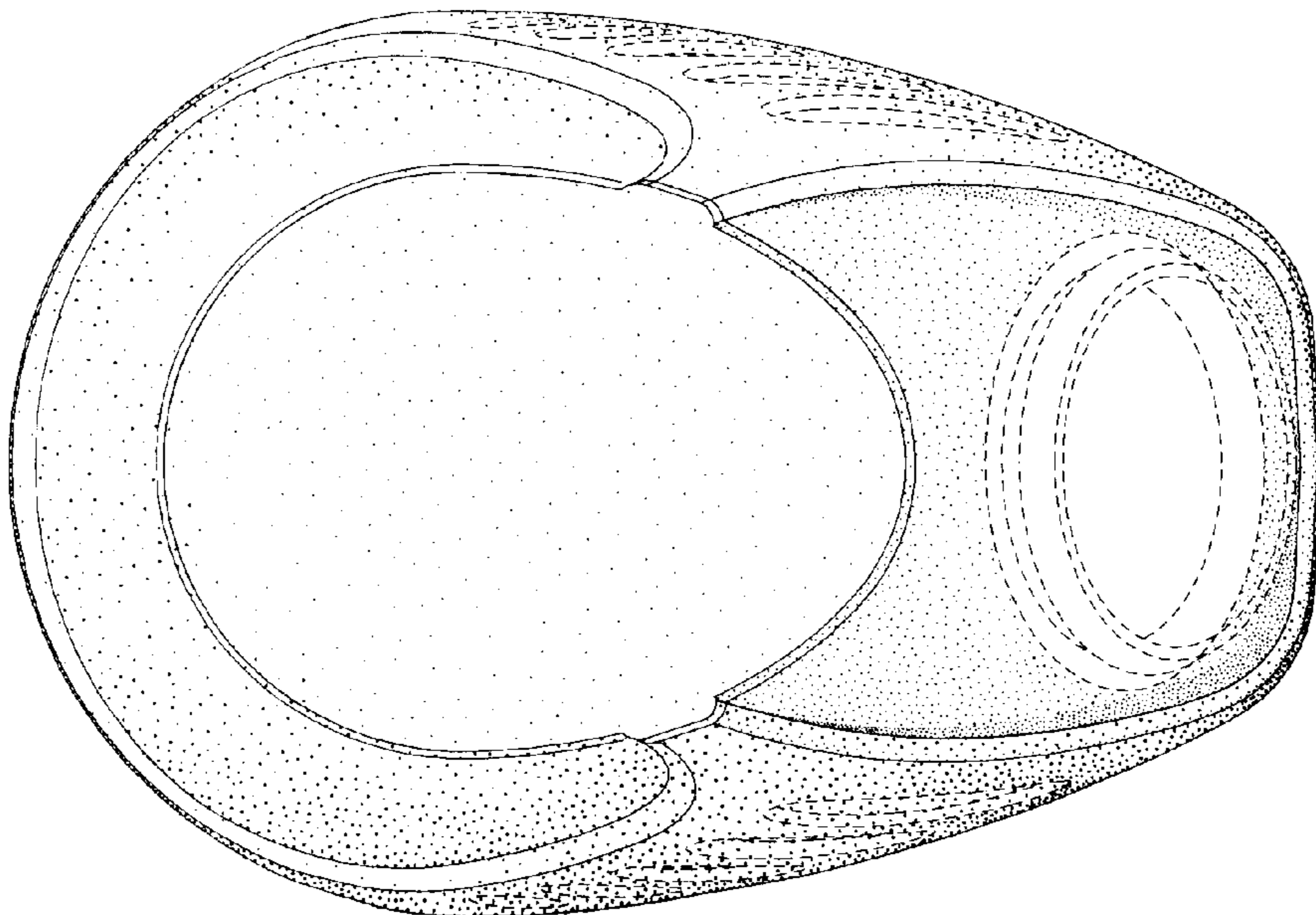


Fig. 4

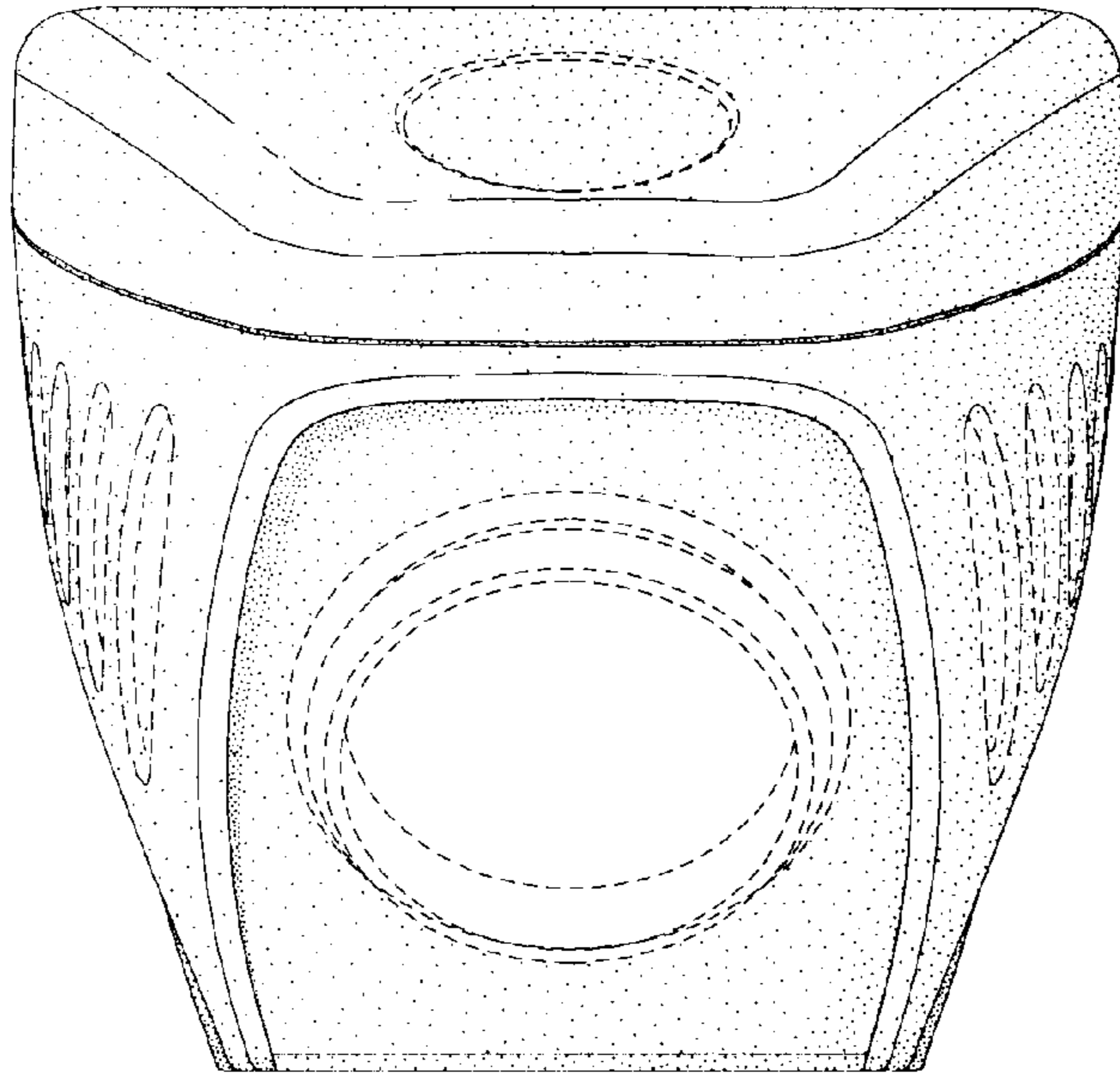


Fig. 5

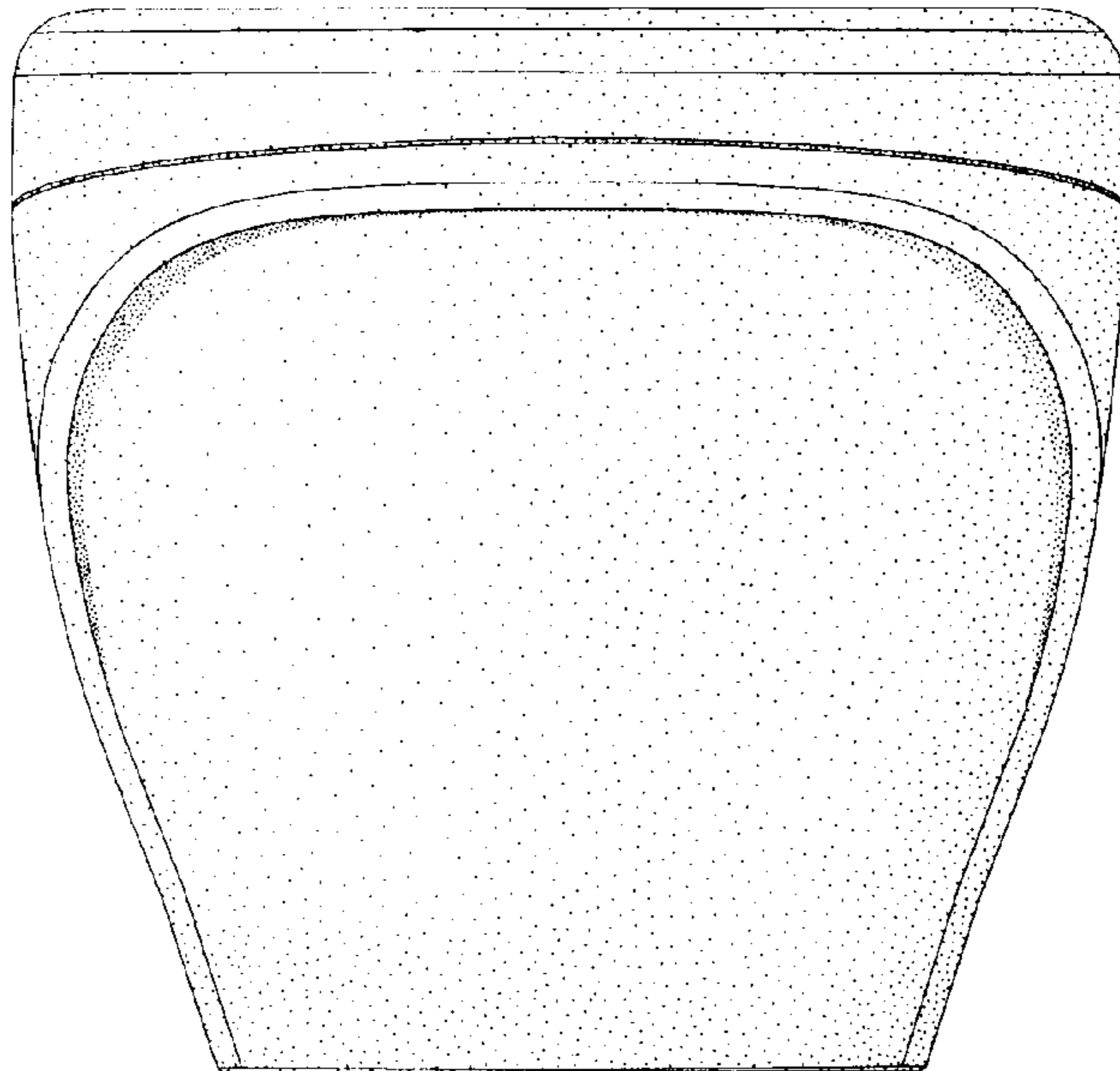


Fig. 6