



US00D449225B1

(12) **United States Design Patent**
Humphrey

(10) **Patent No.:** **US D449,225 S**

(45) **Date of Patent:** **** Oct. 16, 2001**

(54) **PACKAGE**

(75) **Inventor:** **Neill W. Humphrey**, El Dorado Hills, CA (US)

(73) **Assignee:** **Trade Source International**, El Dorado Hills, CA (US)

(**) **Term:** **14 Years**

(21) **Appl. No.:** **29/133,224**

(22) **Filed:** **Nov. 21, 2000**

(51) **LOC (7) Cl.** **09-03**

(52) **U.S. Cl.** **D9/415**

(58) **Field of Search** D9/415, 418, 337, D9/341, 346, 430; 206/461-471, 495, 320, 775-783, 756, 757, 765

4,099,612	7/1978	Hanson .
4,307,803	12/1981	Johnson .
4,415,084	11/1983	Hauser et al. .
4,531,637	7/1985	Cusmano .
4,669,610	6/1987	Lindsey et al. .
4,702,368	10/1987	Jones .
4,702,374	10/1987	Kelner .
4,781,289	11/1988	Perkins .
4,823,960	4/1989	Perlberg et al. .
4,848,577	7/1989	Hoffman et al. .
4,901,858	2/1990	Anderson .
5,002,187	3/1991	Rysner et al. .
5,064,056	11/1991	Gresh .
5,188,222	2/1993	Pierce .
5,452,802	9/1995	Green .
5,495,937	3/1996	Fraser .
5,626,226	5/1997	Gardiner et al. .

* cited by examiner

Primary Examiner—Prabhakar Deshmukh

(74) *Attorney, Agent, or Firm*—Oppenheimer, Wolff & Donnelly, LLP

(56) **References Cited**

U.S. PATENT DOCUMENTS

D. 273,277	*	4/1984	Strauss	D9/415
D. 309,262		7/1990	Coiner .		
D. 321,323		11/1991	Nakamura .		
D. 332,744	*	1/1993	McCooey	D9/415
D. 394,384	*	5/1998	Humphrey	D9/415
D. 414,108	*	9/1999	Humphrey	D9/415
1,784,937		12/1930	Kreslawsky .		
2,727,620	*	12/1955	Buttery	206/779
2,873,023		2/1959	Erickson .		
3,064,402		11/1962	Crane .		
3,416,656		12/1968	Addiego .		
3,420,361		1/1969	Newberg .		
3,493,103	*	2/1970	Cote	206/779
3,631,970	*	1/1972	Trauschke	206/775
3,664,493	*	5/1972	Dutcher	206/779

(57) **CLAIM**

The ornamental design for a package, as shown and described.

DESCRIPTION

FIG. 1 is a front perspective view of a package showing my new design;
FIG. 2 is a front elevational view thereof;
FIG. 3 is a left side elevational view thereof;
FIG. 4 is a right side elevational view thereof;
FIG. 5 is a top plan view of the package of FIG. 1; and,
FIG. 6 is a bottom plan view thereof.

1 Claim, 3 Drawing Sheets

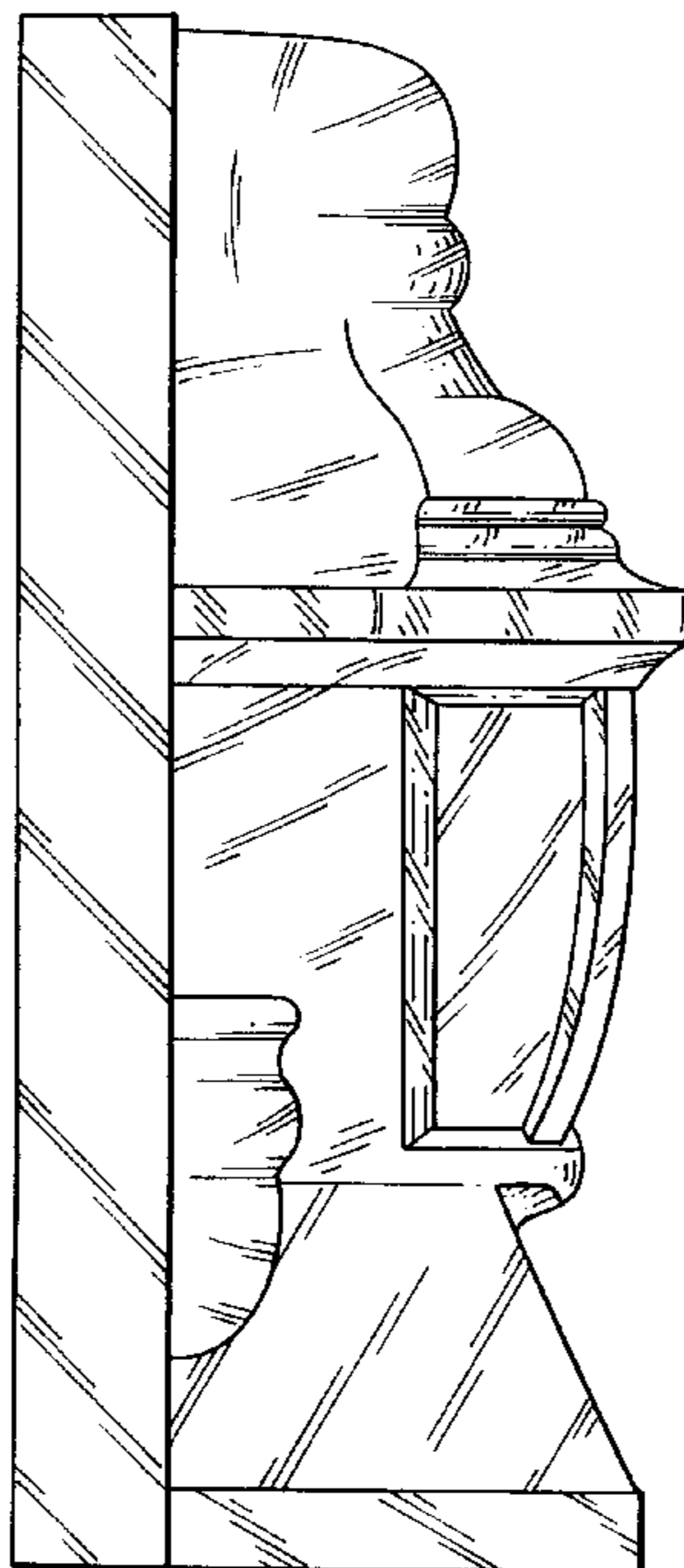


FIG. 1

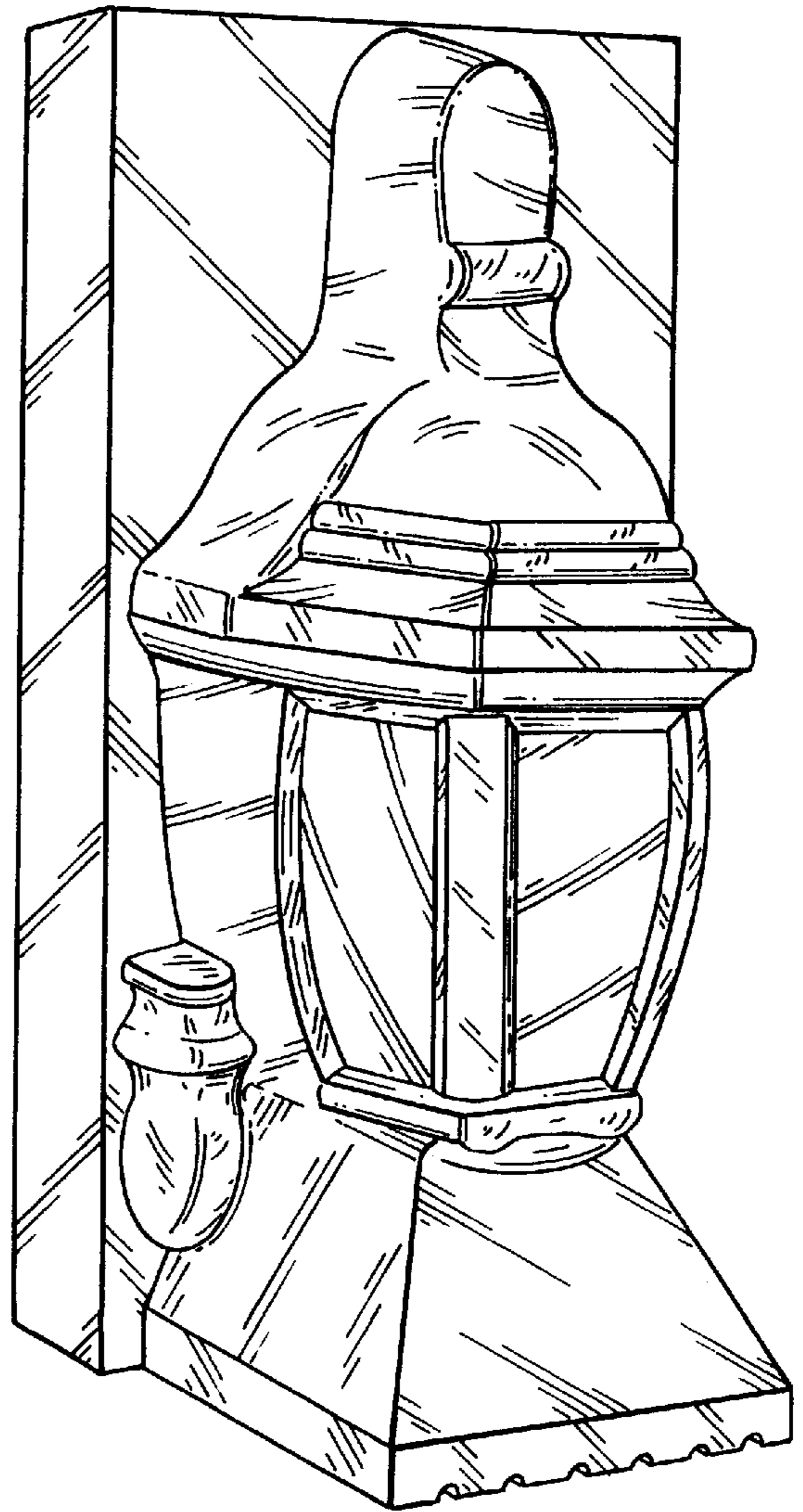
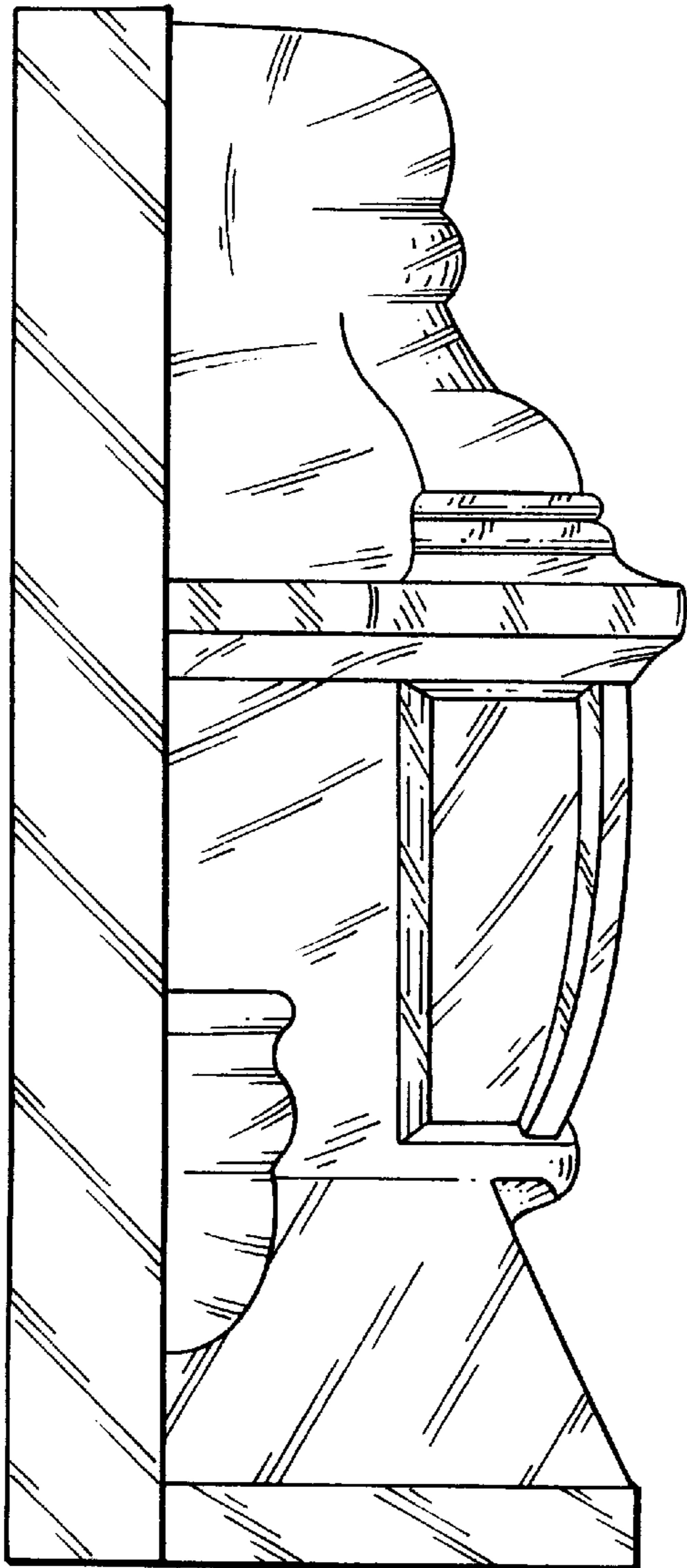


FIG. 4

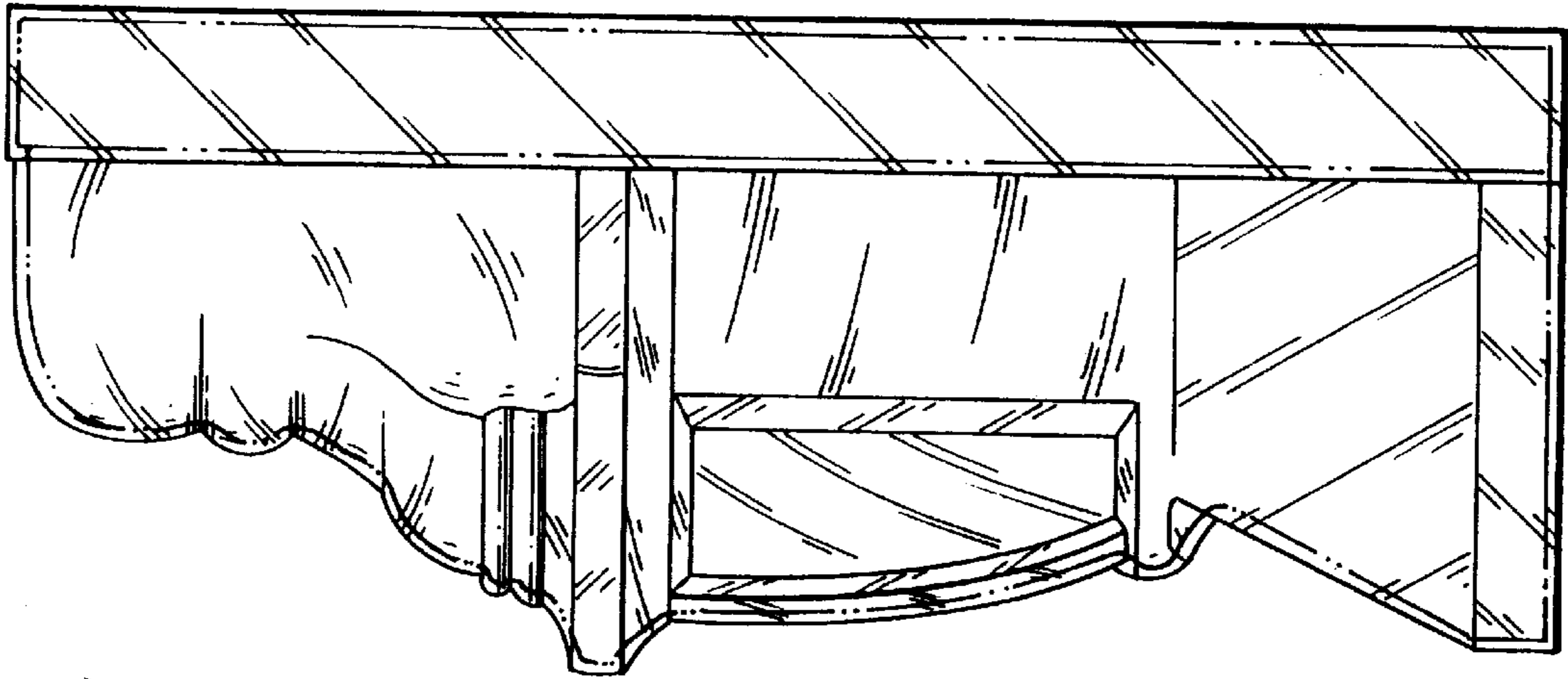


FIG. 3

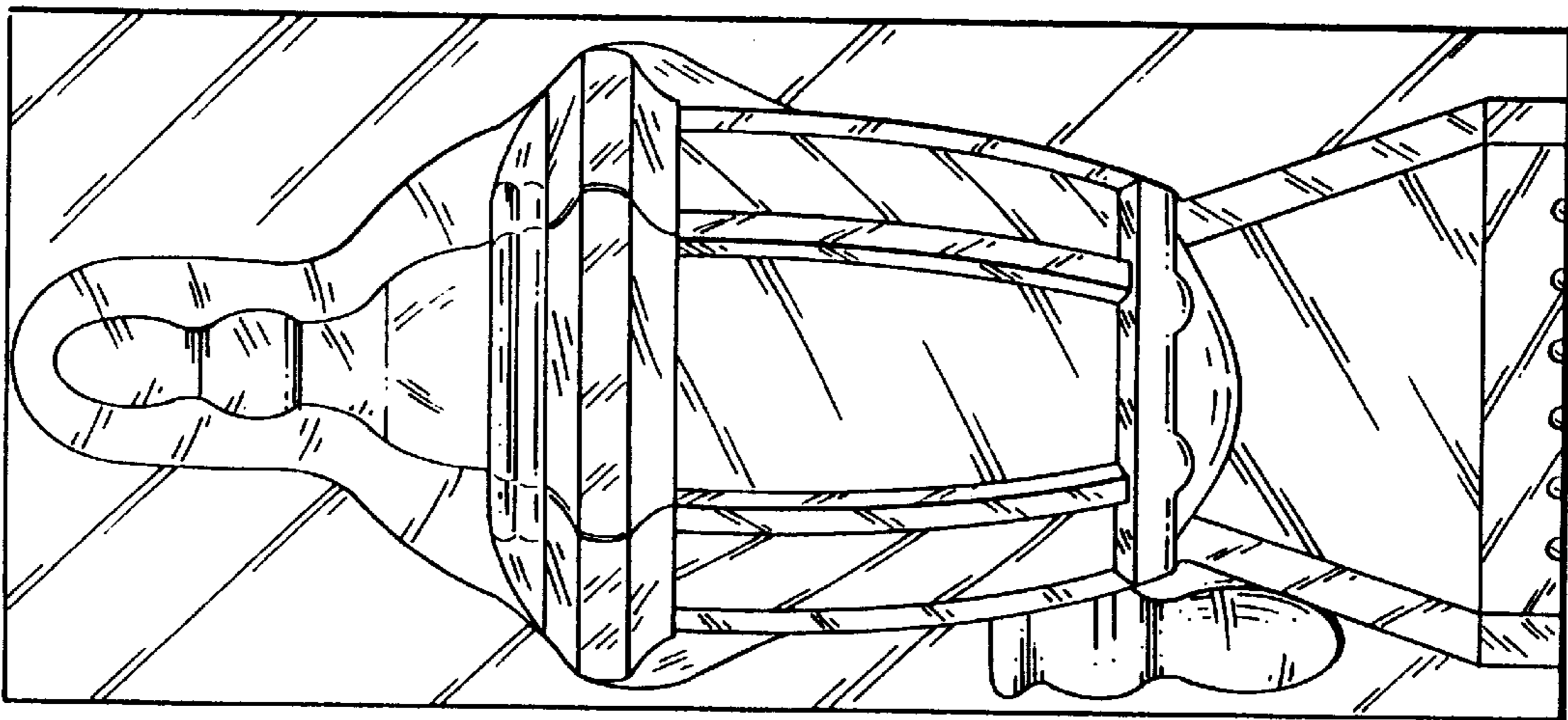


FIG. 2

FIG. 5

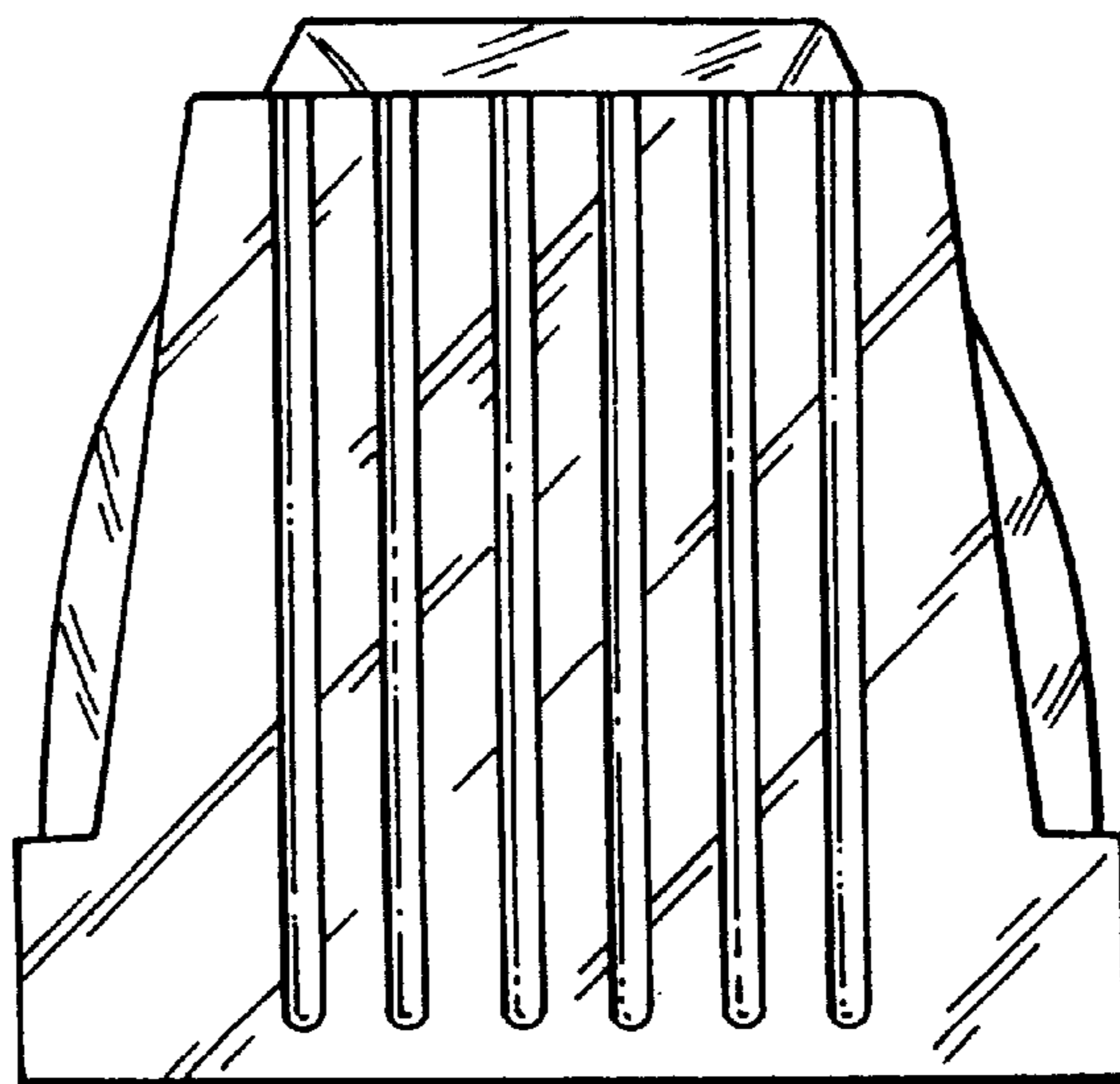
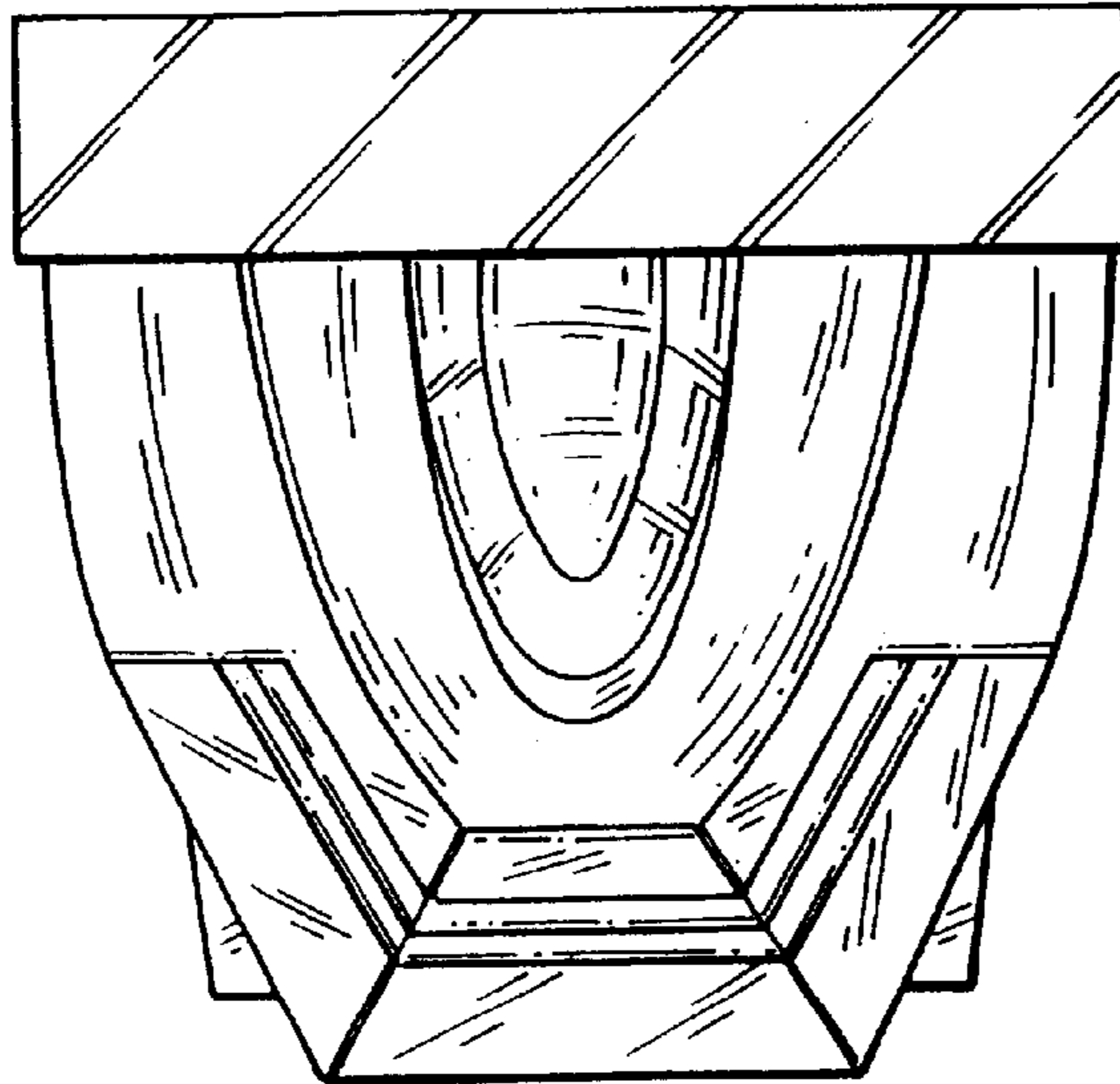


FIG. 6