



US00D449220B1

(12) **United States Design Patent**  
**Wurdack**

(10) **Patent No.:** **US D449,220 S**

(45) **Date of Patent:** **\*\* Oct. 16, 2001**

(54) **MODULAR FURNITURE HANGER**

(76) Inventor: **Roy A. Wurdack**, P.O. Box 21130,  
Chattanooga, TN (US) 37424

(\*\*) Term: **14 Years**

(21) Appl. No.: **29/130,963**

(22) Filed: **Oct. 12, 2000**

(51) **LOC (7) Cl.** ..... **08-05**

(52) **U.S. Cl.** ..... **D8/363**

(58) **Field of Search** ..... D8/381, 373; 248/235-247,  
248/219.4, 220.2, 220.3, 220.4

(56) **References Cited**

**U.S. PATENT DOCUMENTS**

1,983,470 \* 12/1934 Knape ..... 248/243

2,576,865 \* 11/1951 Vanderveld ..... 248/243

\* cited by examiner

*Primary Examiner*—Holly Baynham

(74) *Attorney, Agent, or Firm*—Grace J. Fishel

(57) **CLAIM**

The ornamental design for a modular furniture hanger, as shown and described.

**DESCRIPTION**

FIG. 1 is a perspective view of a modular furniture hanger showing my new design in use;

FIG. 2 is a perspective view showing my new design in use;

FIG. 3 is an enlarged side view thereof;

FIG. 4 is a front view thereof;

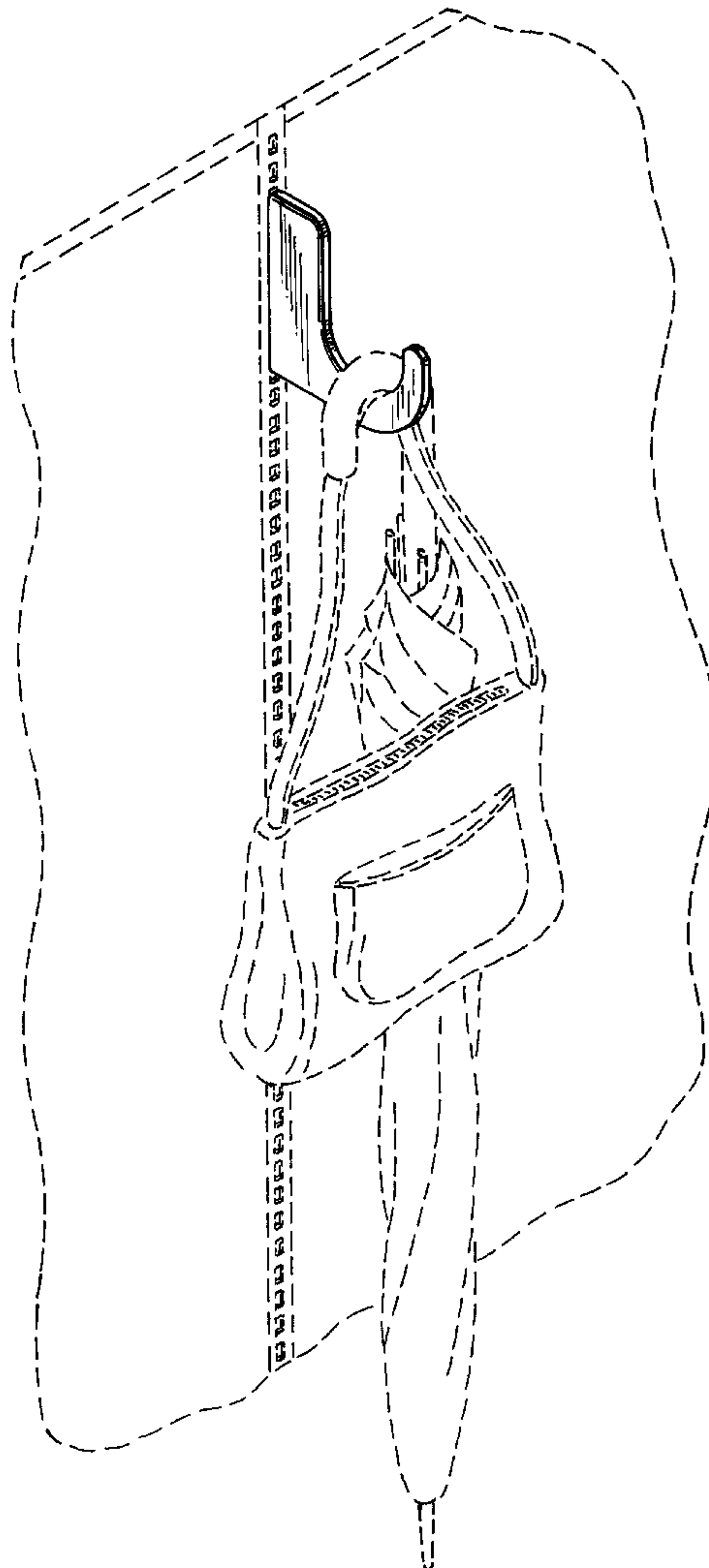
FIG. 5 is a rear view thereof;

FIG. 6 is a top view thereof; and,

FIG. 7 is a bottom view thereof.

The modular furniture panel, purse and umbrella shown in broken lines in FIG. 1 and the modular furniture panel and cables shown in broken lines in FIG. 2 are for illustrative purposes only and form no part of the claimed design.

**1 Claim, 2 Drawing Sheets**



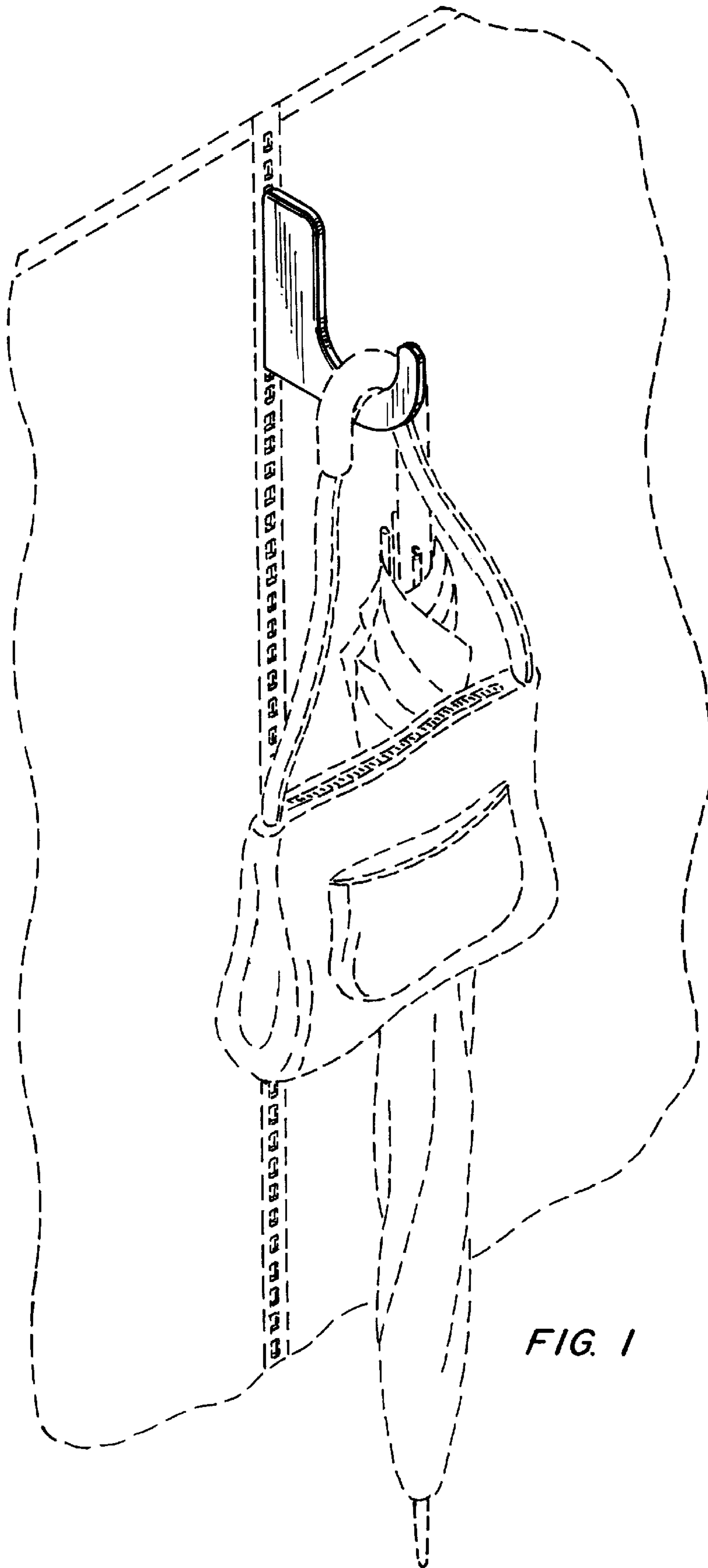


FIG. 1

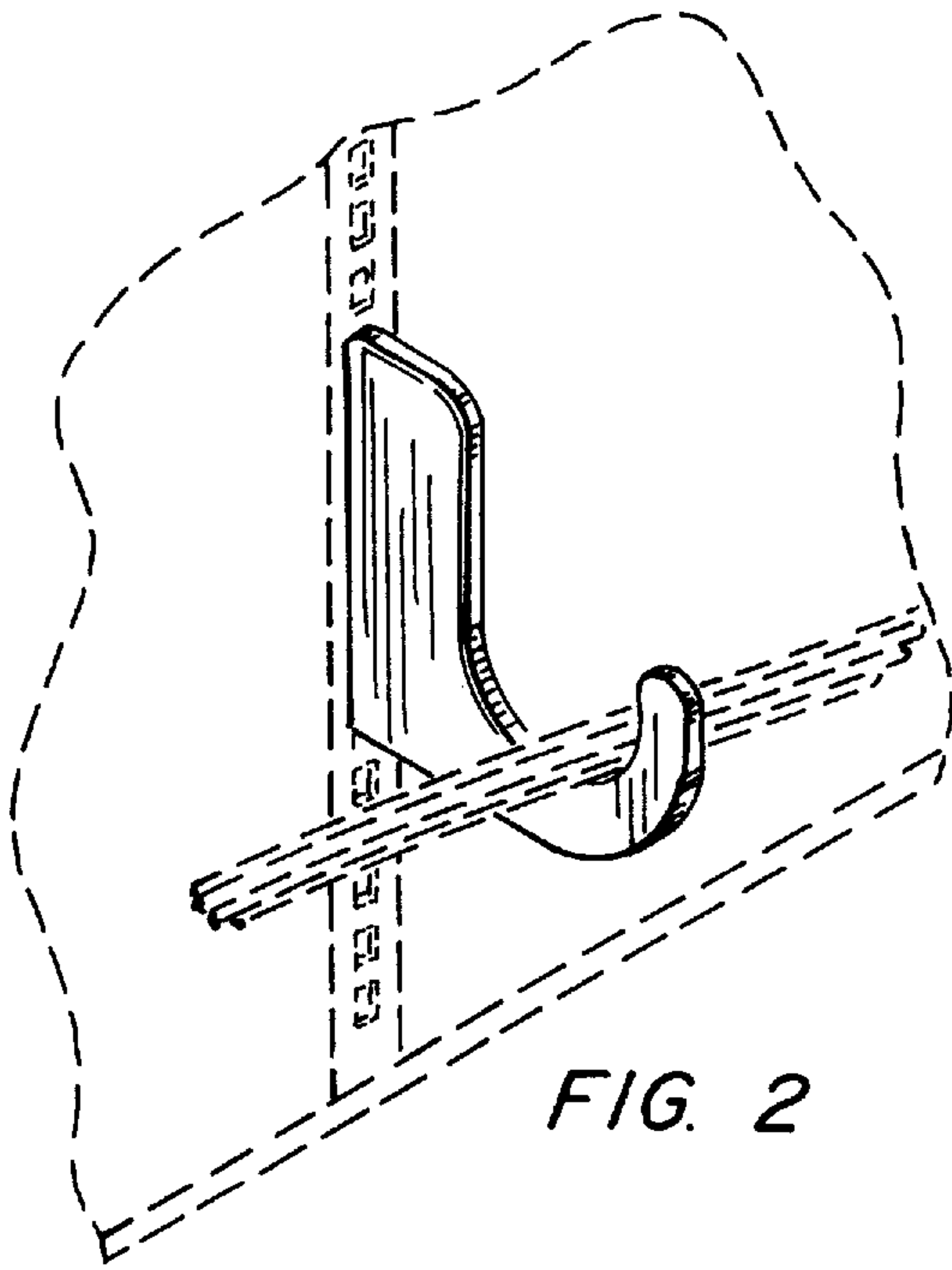


FIG. 2



FIG. 4

FIG. 6



FIG. 5

FIG. 3

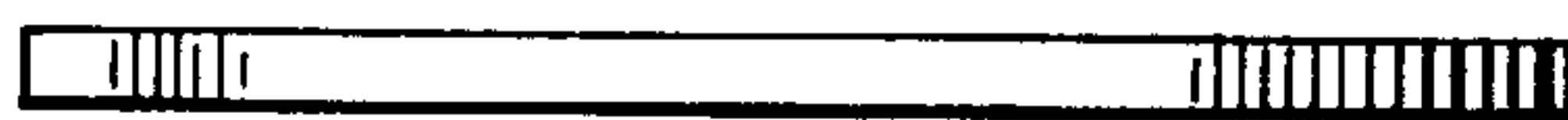
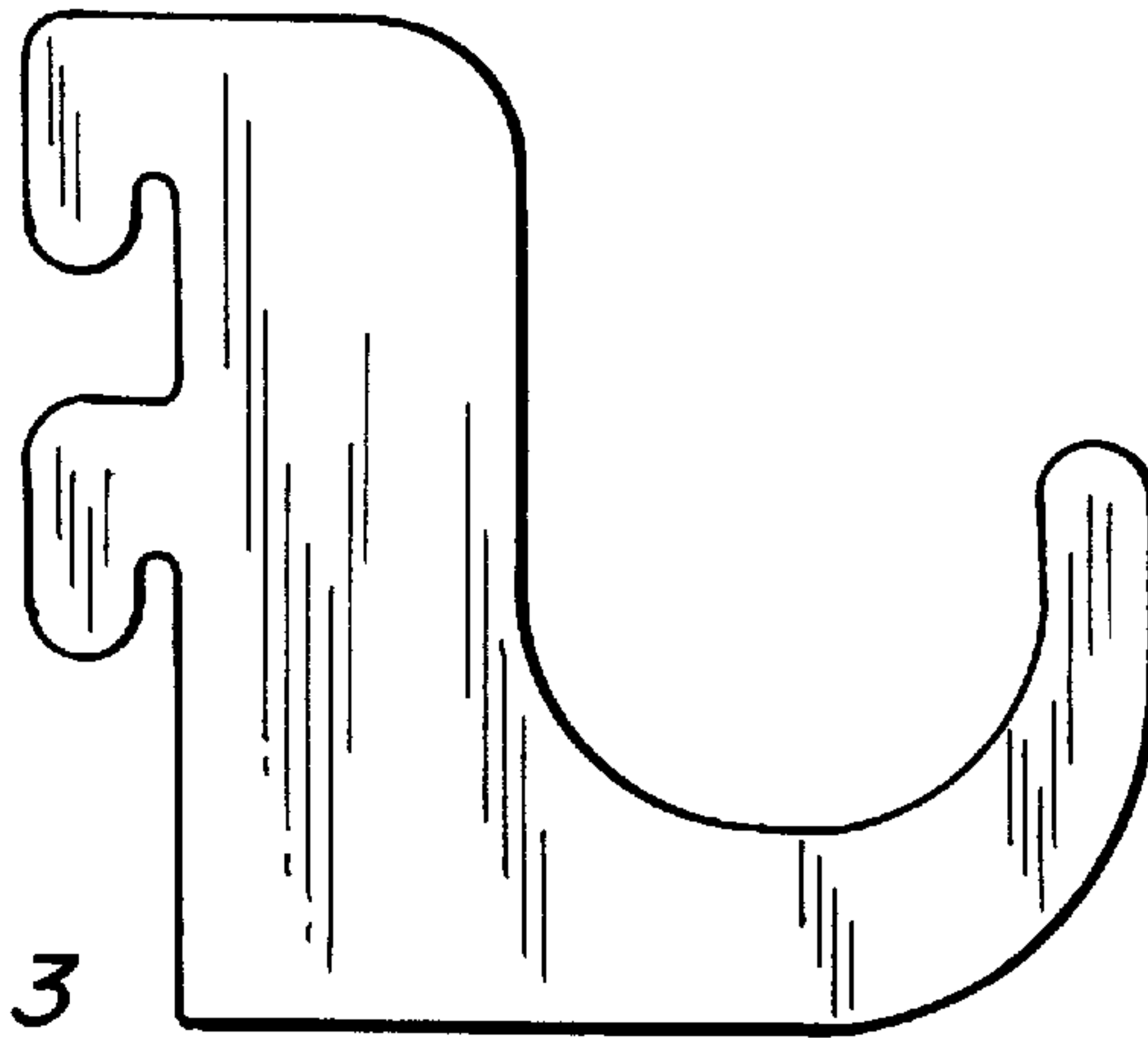


FIG. 7