



US00D449217B1

(12) **United States Design Patent**  
**Henneberger et al.**

(10) **Patent No.:** **US D449,217 S**

(45) **Date of Patent:** **\*\* \*Oct. 16, 2001**

(54) **DESIGNATION WINDOW**

(75) Inventors: **Roy L. Henneberger**, Apple Valley;  
**Thomas R. Finke**, Medina, both of MN  
(US)

(73) Assignee: **ADC Telecommunications, Inc.**,  
Minnetonka, MN (US)

(\*\*) Term: **14 Years**

(21) Appl. No.: **29/125,896**

(22) Filed: **Jun. 30, 2000**

(51) **LOC (7) Cl.** ..... **11-05**

(52) **U.S. Cl.** ..... **D8/350; D8/353**

(58) **Field of Search** ..... **D8/350, 353; D13/177;**  
**D20/42, 99; 40/642.02, 661, 611; 455/66;**  
**174/66; 220/341; 439/536**

(56) **References Cited**

**U.S. PATENT DOCUMENTS**

- 1,930,610 \* 10/1933 Despard .
- 3,921,798 \* 11/1975 Dean et al. .
- 5,575,100 \* 11/1996 Marvin et al. .
- 5,613,874 \* 3/1997 Orlando et al. .... 40/642.02
- 5,862,616 \* 1/1999 Peroni ..... 40/611
- 5,933,994 \* 8/1999 Misaresh ..... 40/661
- 5,961,345 \* 10/1999 Finn et al. .... 439/536
- 6,172,301 \* 1/2001 Goodsell ..... 174/66

**OTHER PUBLICATIONS**

The Siemon Company Catalog, 1997, pp. 120–121.  
Exhibit 1; 1997; 3 pages of photocopied photographs showing designation strip of faceplate from SIEMON catalog. HUBBELL catalog, “Solutions by Design”, pp. 40–43. (undated).

\* cited by examiner

*Primary Examiner*—B. J. Bullock

(74) *Attorney, Agent, or Firm*—Merchant & Gould P.C.

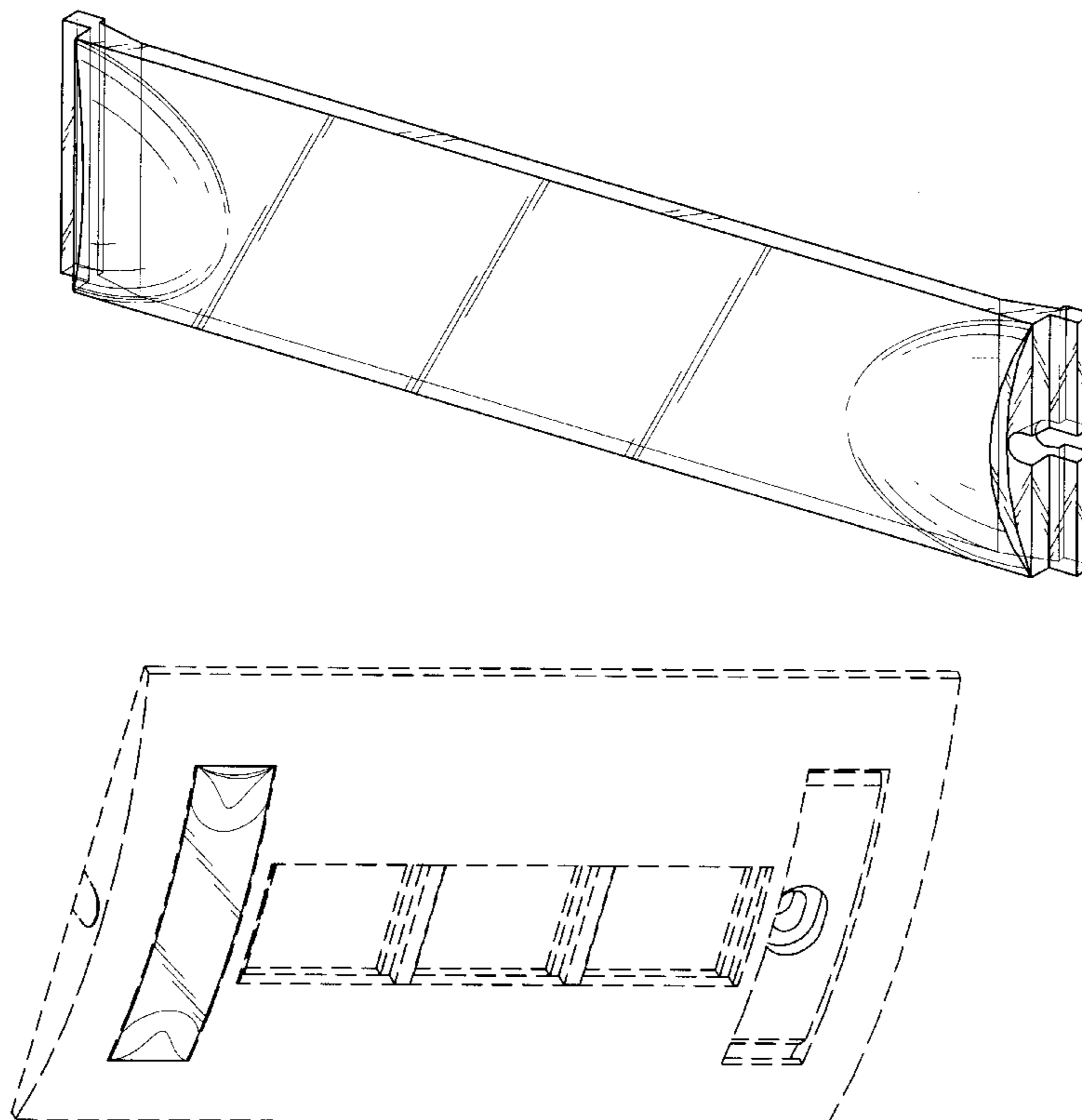
(57) **CLAIM**

The ornamental design for a designation window, as shown and described.

**DESCRIPTION**

FIG. 1 is a perspective view of a designation window showing our new design;  
FIG. 2 is a front elevational view thereof;  
FIG. 3 is a back elevational view thereof;  
FIG. 4 is a top plan view thereof;  
FIG. 5 is a bottom plan view thereof; and  
FIG. 6 is a left elevational end view thereof;  
FIG. 7 is a right elevational end view thereof; and,  
FIG. 8 shows the designation window of FIGS. 1–7 in a representative environment.  
The broken lines are for illustrative purposes only and form no part of the claimed design.

**1 Claim, 4 Drawing Sheets**



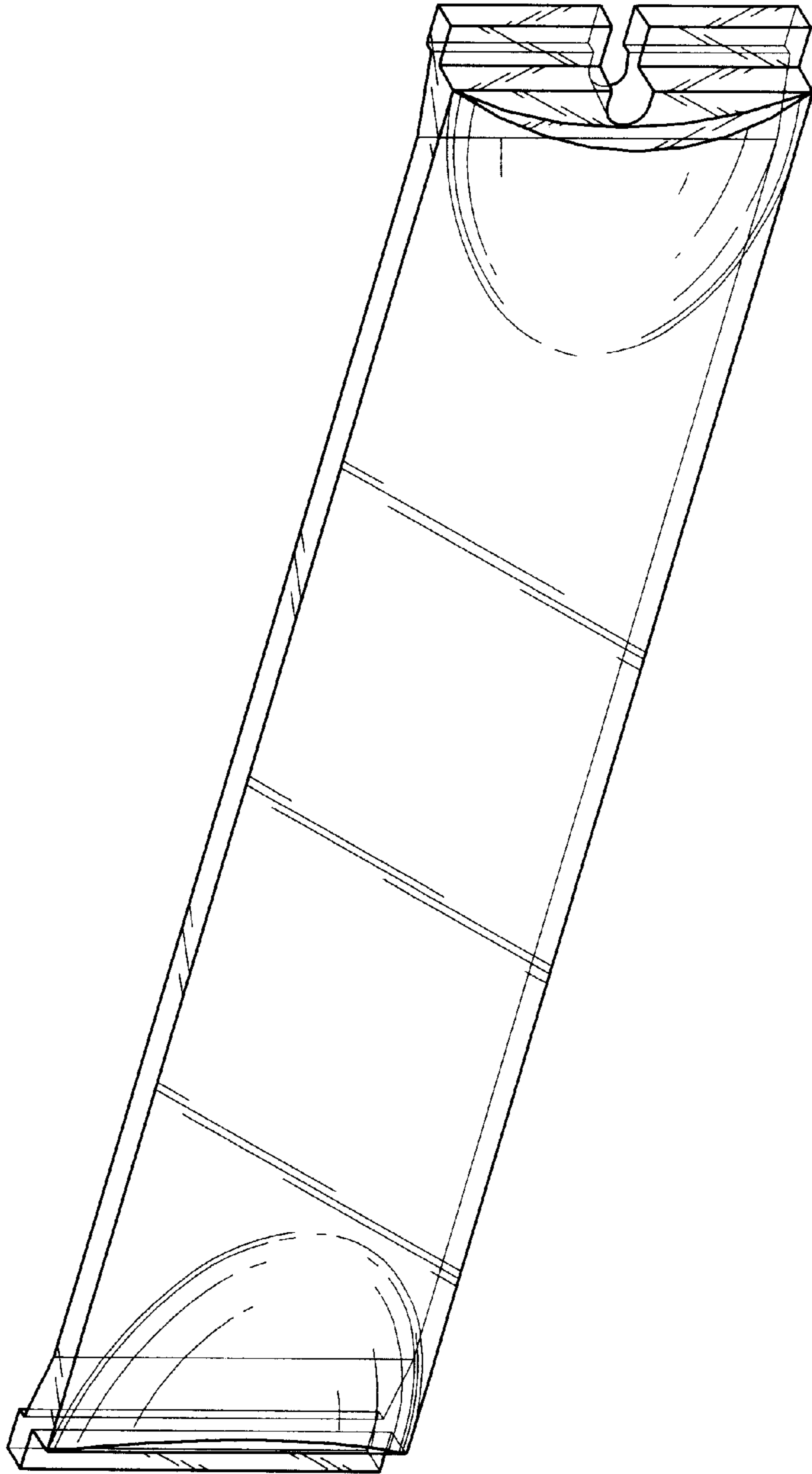


FIG.1

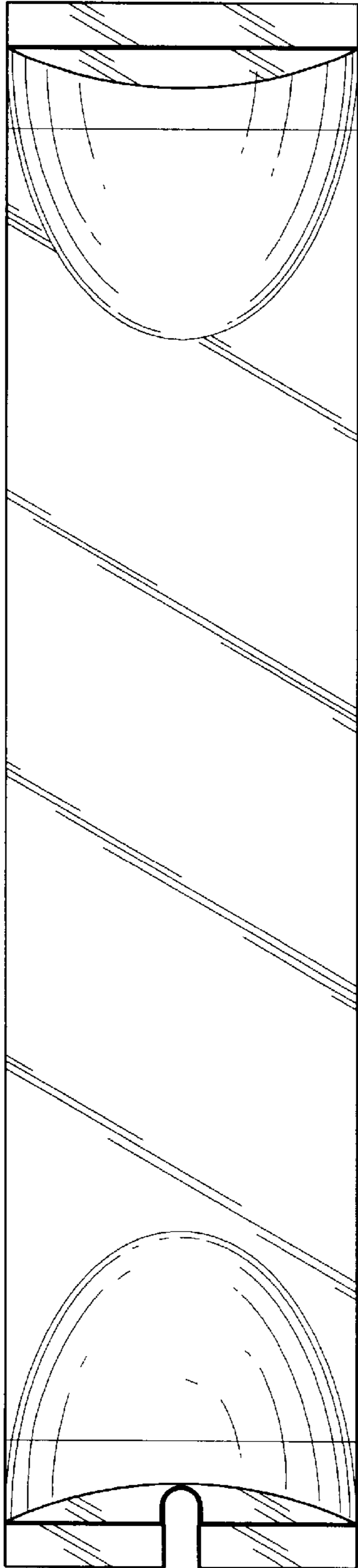


FIG. 2

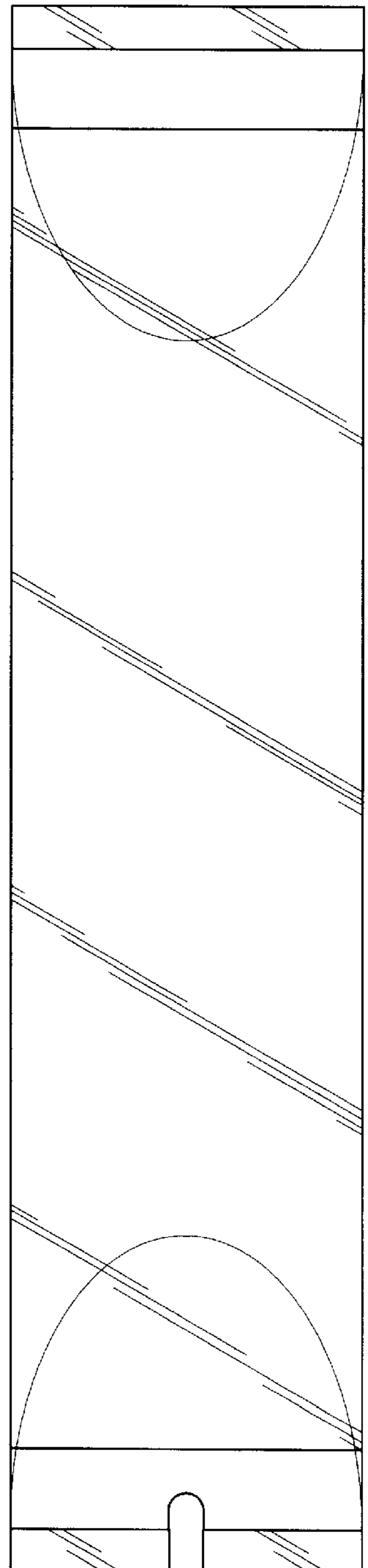


FIG. 3

FIG.4

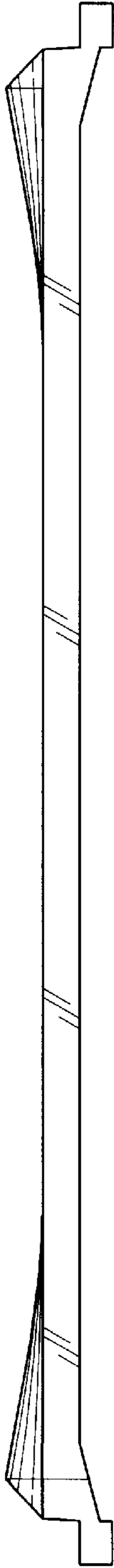


FIG.5

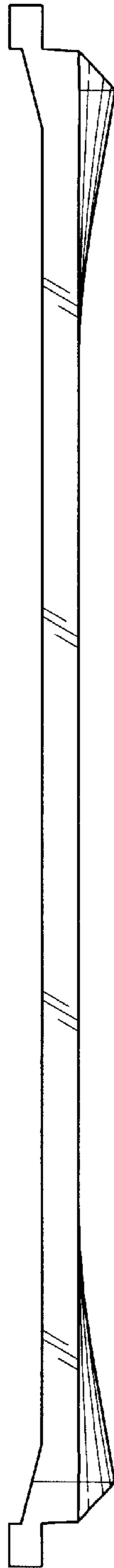


FIG.6

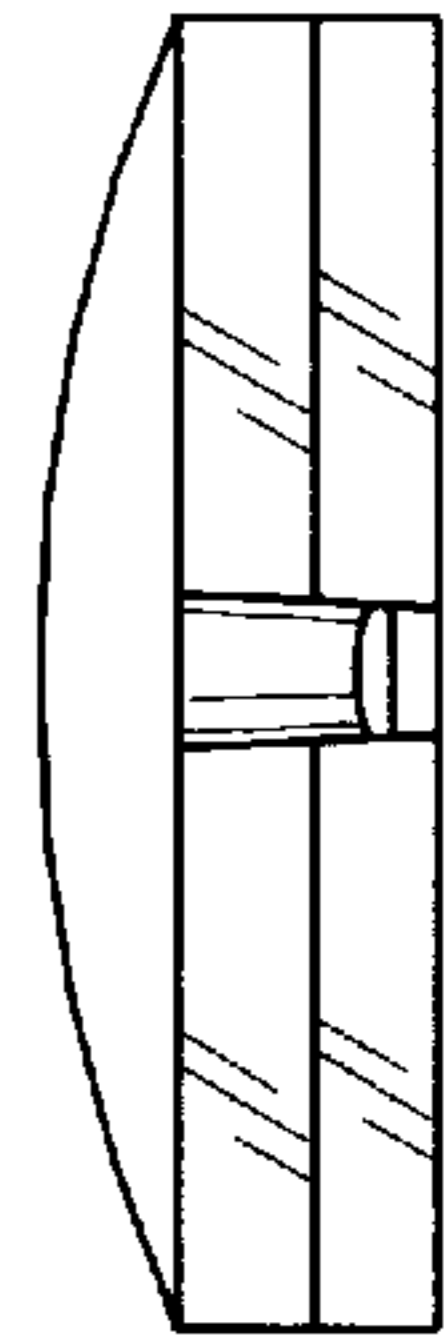


FIG.7

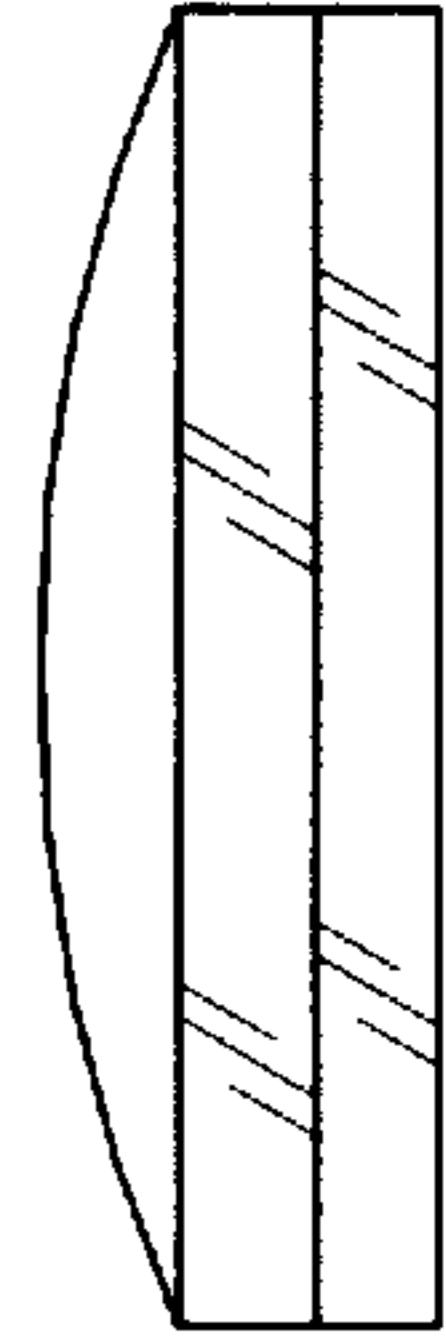


FIG. 8

