



US00D449216B1

(12) **United States Design Patent**
Herda

(10) **Patent No.:** **US D449,216 S**

(45) **Date of Patent:** **** Oct. 16, 2001**

(54) **COMBINATION ZIPPER LOCK**

(75) Inventor: **Michael T. Herda**, Hoboken, NJ (US)

(73) Assignee: **Tumi, Inc.**, South Plainfield, NJ (US)

(**) Term: **14 Years**

(21) Appl. No.: **29/129,656**

(22) Filed: **Sep. 19, 2000**

(51) **LOC (7) Cl.** **08-07**

(52) **U.S. Cl.** **D8/333**

(58) **Field of Search** D8/330, 331, 333,
D8/334; 70/14, 20, 21, 22-30, 35, 36, 37,
312

(56) **References Cited**

U.S. PATENT DOCUMENTS

| | | | | | |
|-----------|---|--------|------|-------|-------|
| 4,866,959 | * | 9/1989 | Ling | | 70/25 |
| 5,396,785 | * | 3/1995 | Chen | | 70/25 |
| 6,082,155 | * | 7/2000 | Su | | 70/22 |

OTHER PUBLICATIONS

Brochure of Tekraft Industrial Co., Ltd., 3 pages. No date avail.

* cited by examiner

Primary Examiner—Jennifer Rivard
(74) *Attorney, Agent, or Firm*—Baker Botts L.L.P.

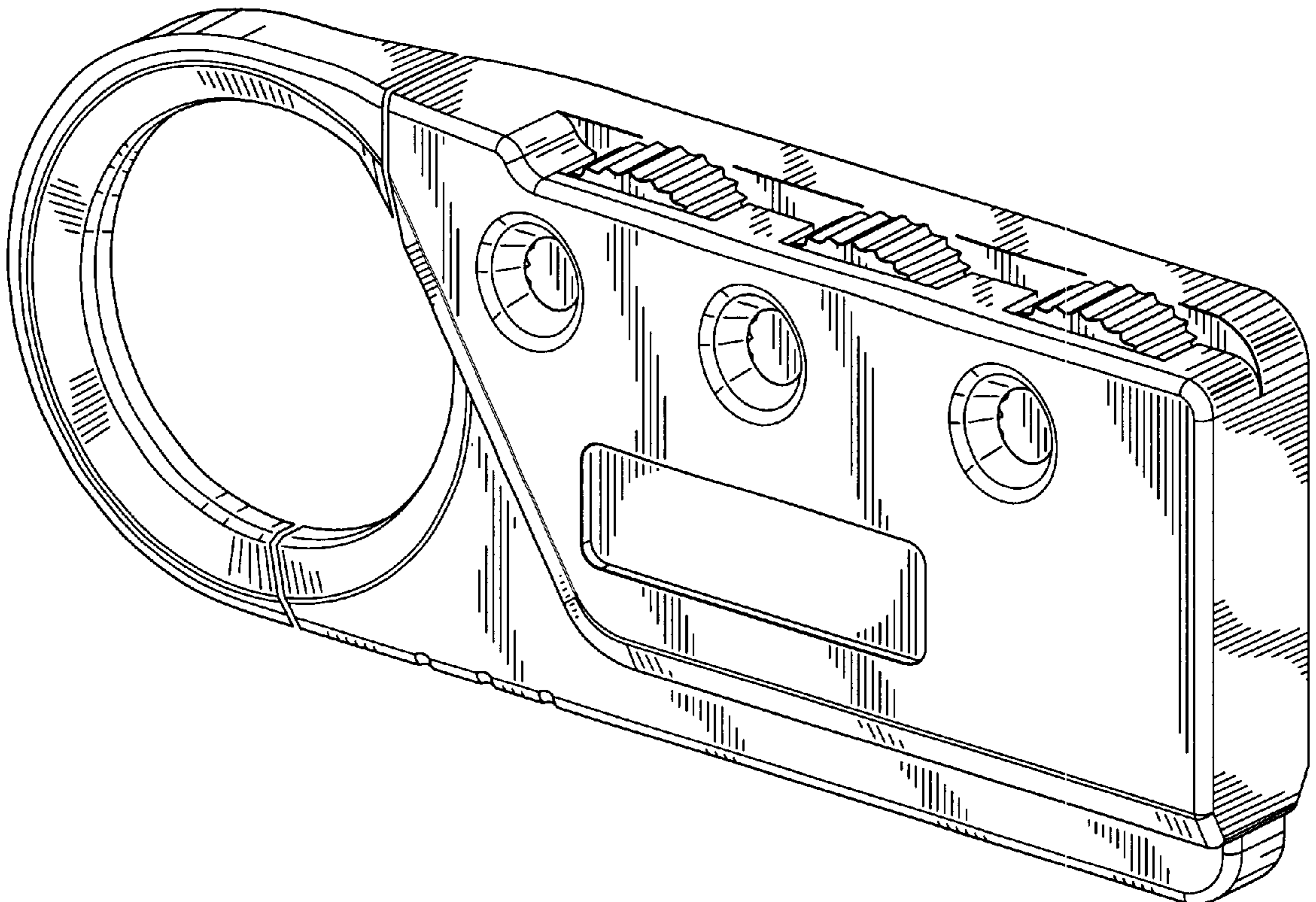
(57) **CLAIM**

The ornamental design for a combination zipper lock, as shown and described.

DESCRIPTION

FIG. 1 is a three-quarter front perspective view of an embodiment of a combination zipper lock according to the new design, taken from a viewpoint to the right and above; FIG. 2 is a three-quarter front perspective view of the embodiment, taken from a viewpoint to the left and below; FIG. 3 is a three-quarter front perspective view of the embodiment, taken from a viewpoint to the left and above; FIG. 4 is a three-quarter top perspective view of the embodiment, taken from a viewpoint to the right and in front; FIG. 5 is a front elevational view of the embodiment; FIG. 6 is a top plan view of the embodiment; FIG. 7 is a rear elevational view of the embodiment; FIG. 8 is a left end elevational view of the embodiment; and, FIG. 9 is a right end elevational view of the embodiment.

1 Claim, 3 Drawing Sheets



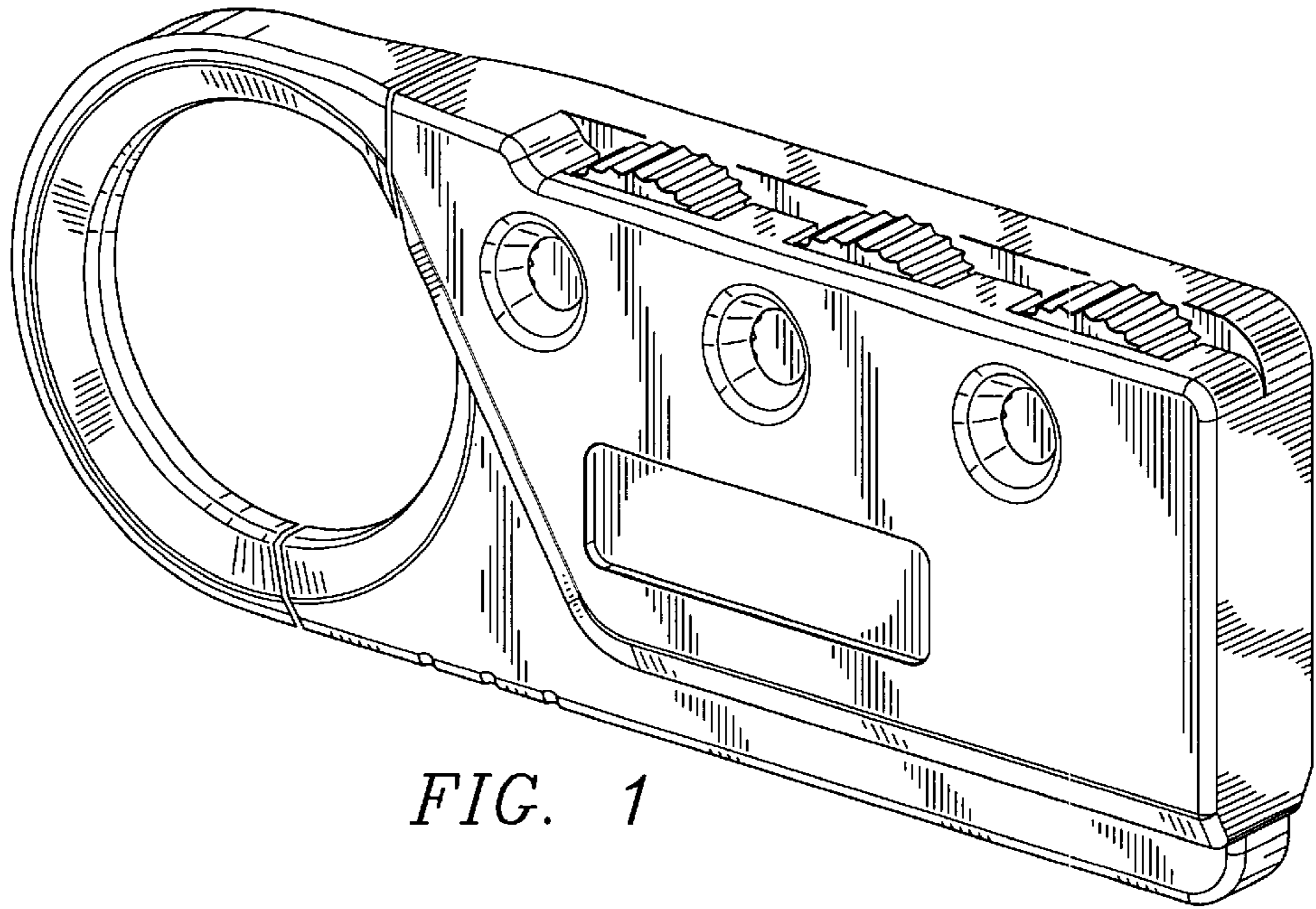


FIG. 1

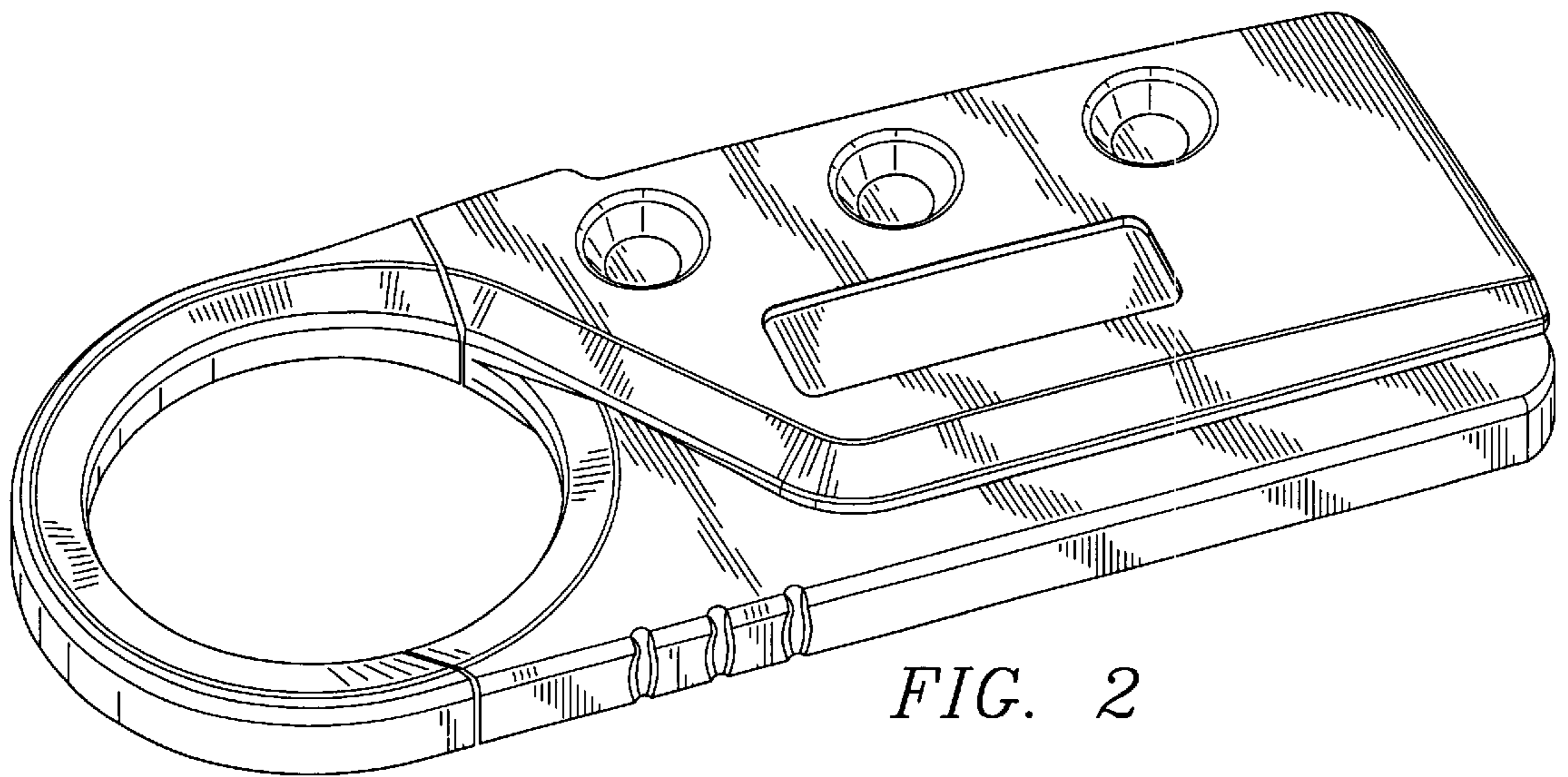


FIG. 2

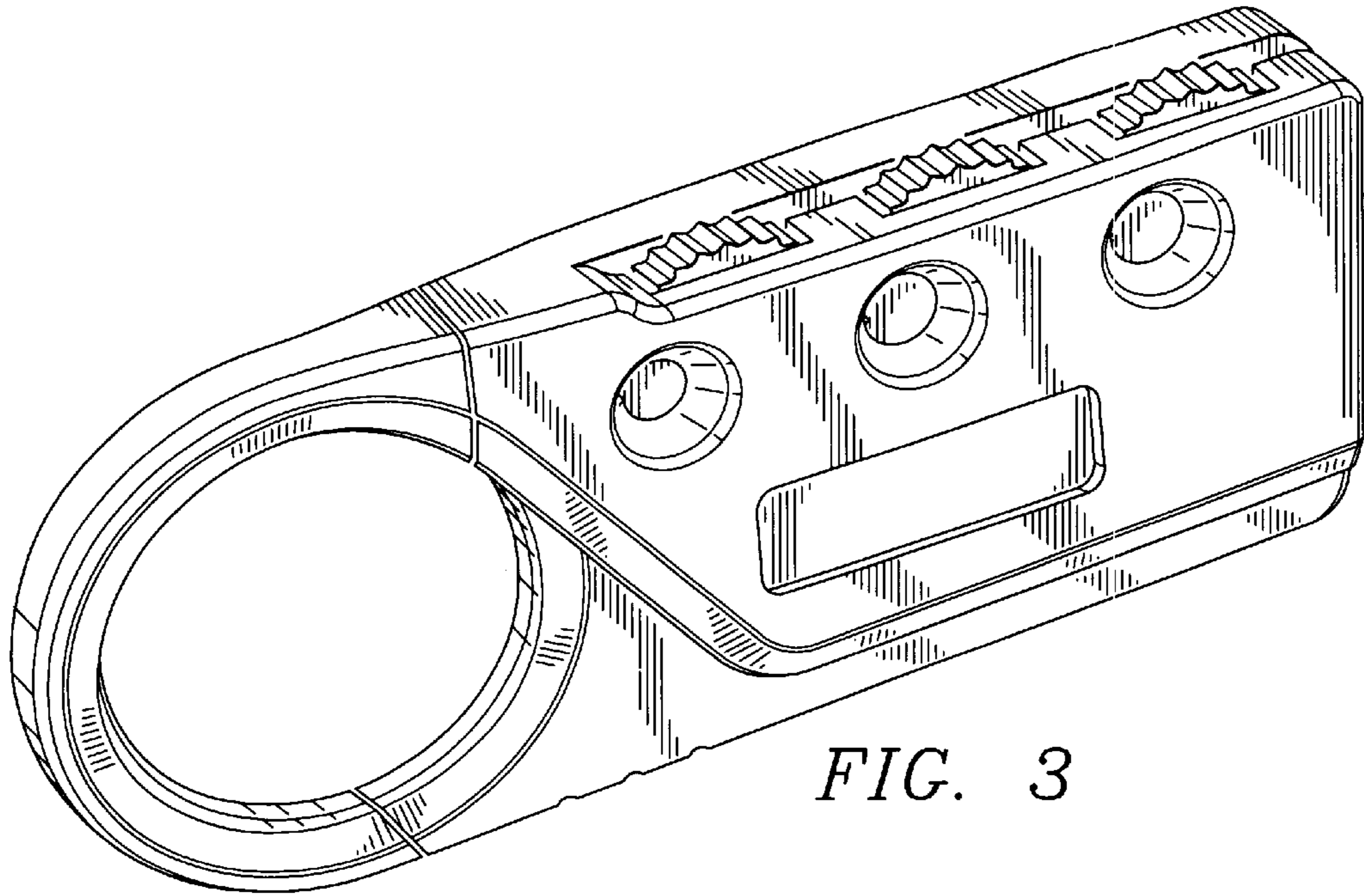


FIG. 3

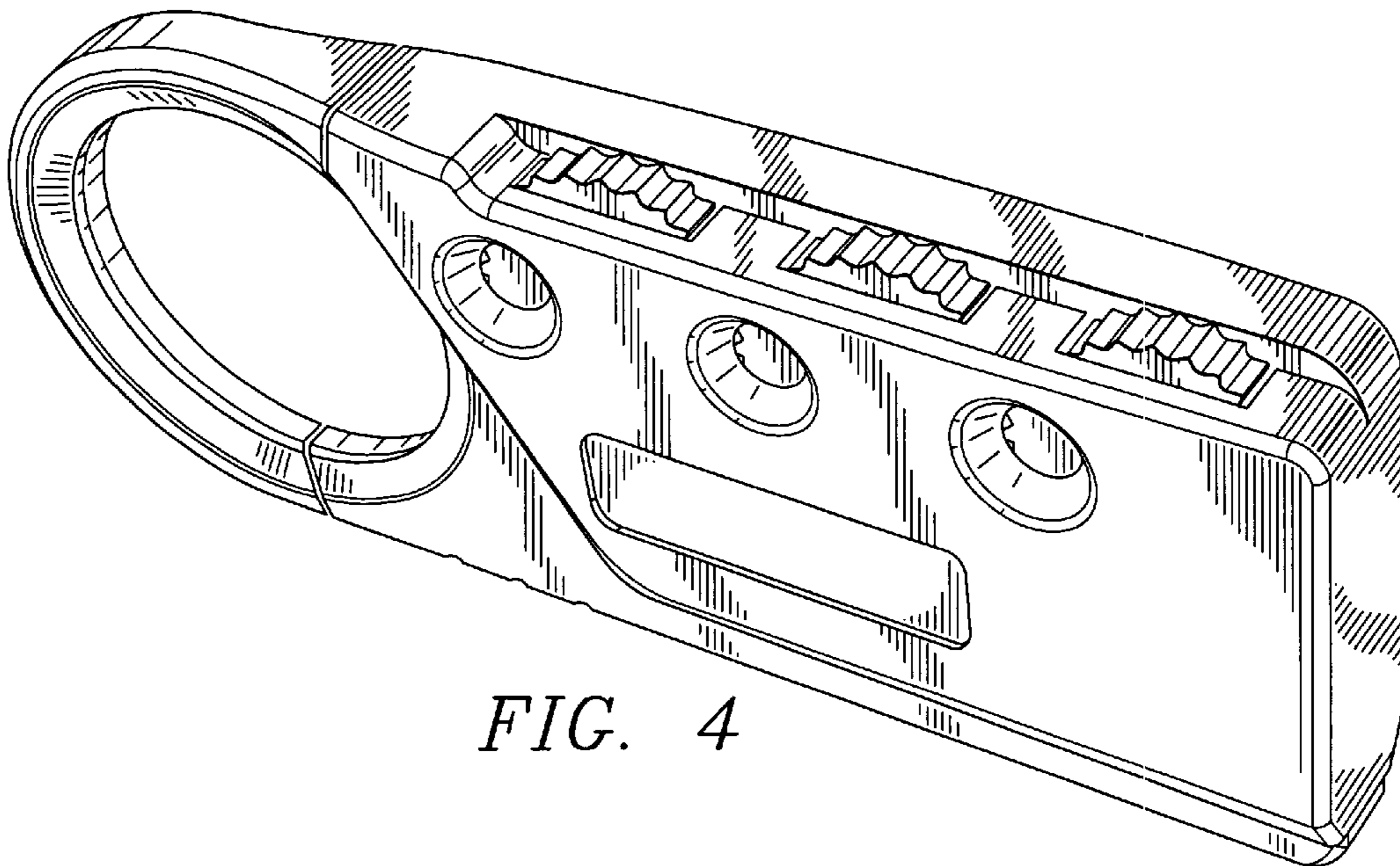


FIG. 4

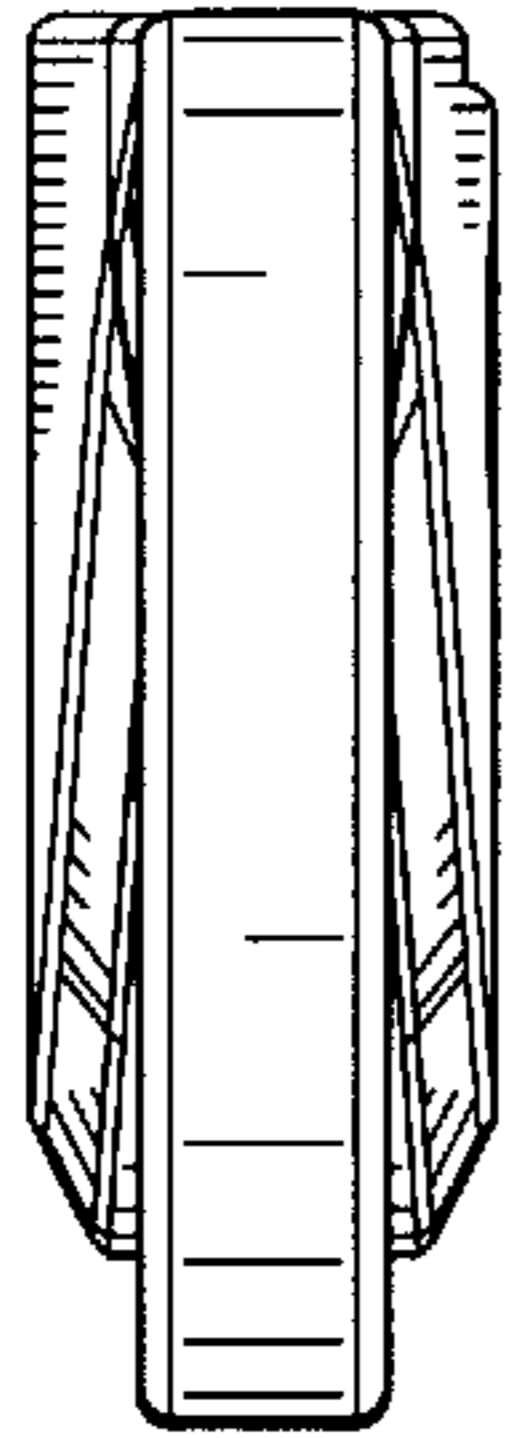


FIG. 8

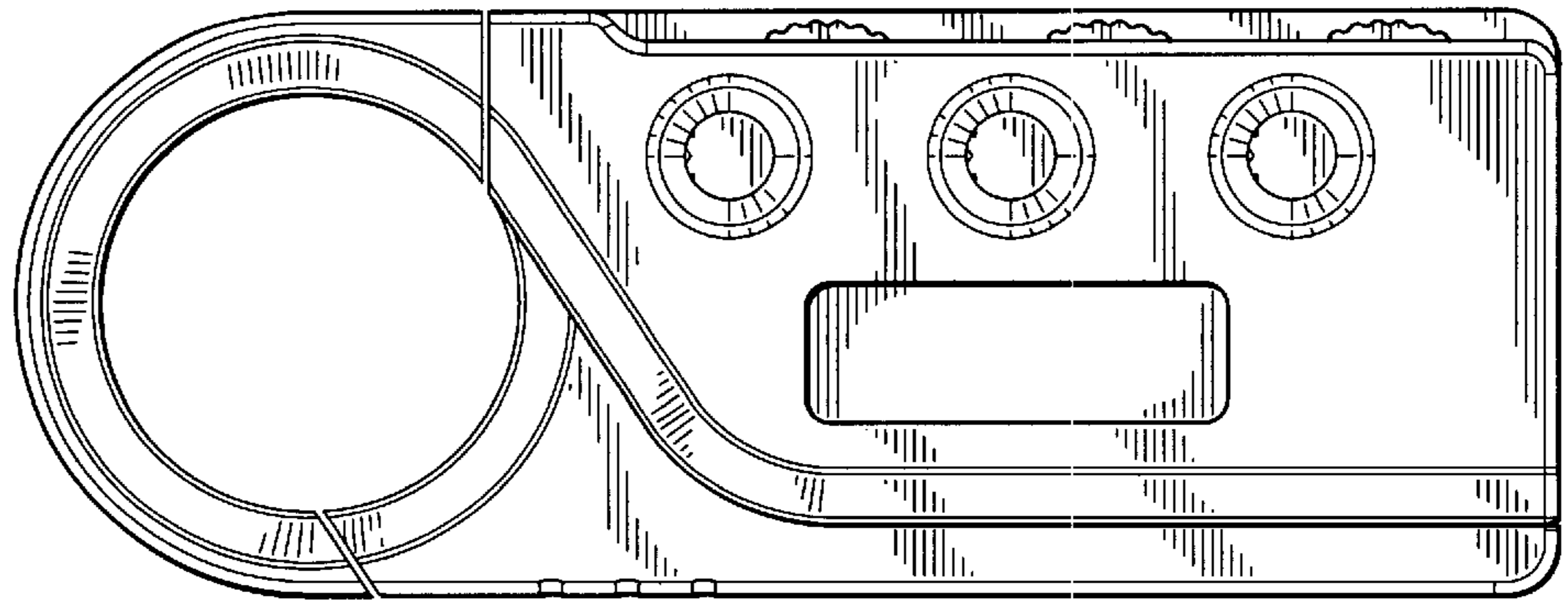


FIG. 5



FIG. 6

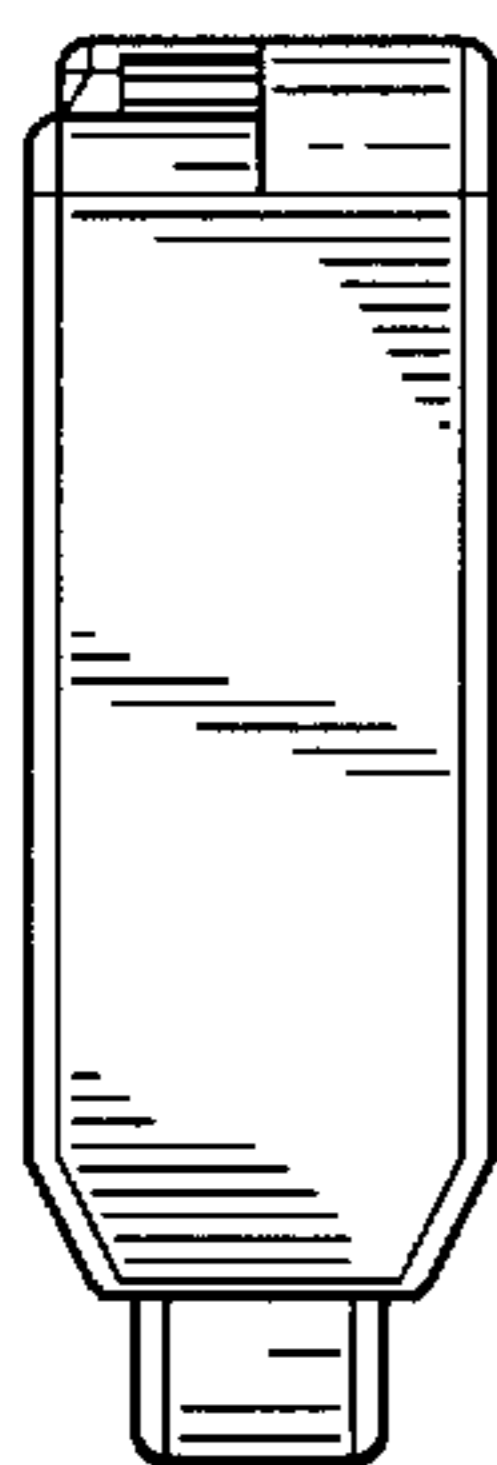


FIG. 9

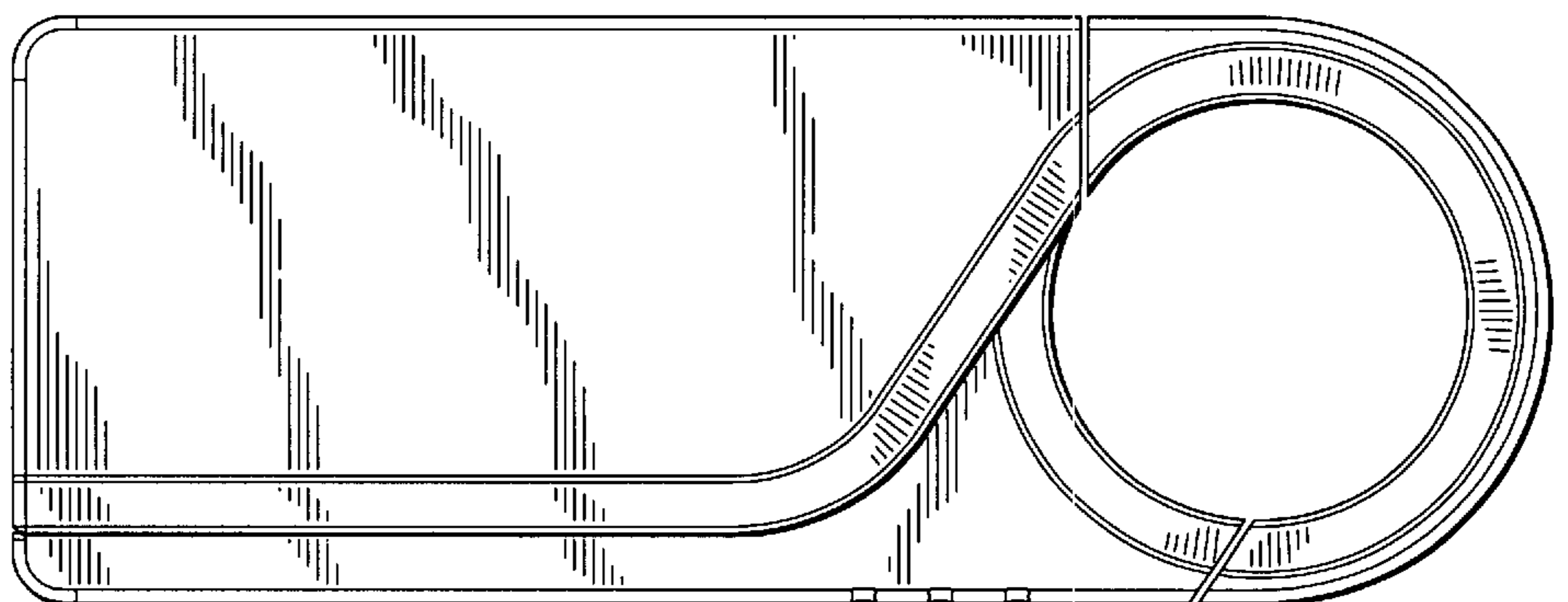


FIG. 7