



US00D449212B1

(12) **United States Design Patent**
Price et al.

(10) **Patent No.:** **US D449,212 S**

(45) **Date of Patent:** **** Oct. 16, 2001**

(54) **AIR RATCHET TOOL HANDLE**

D. 389,025 * 1/1998 Sung D8/61
D. 432,379 * 10/2000 Sun D8/70

(75) Inventors: **Scott D. Price**, Lebanon, NJ (US);
Toshiro Iritani, Miyashimohonchou
(JP)

* cited by examiner

Primary Examiner—Alan P. Douglas

Assistant Examiner—Clare E. Heflin

(73) Assignees: **Ingersoll-Rand Company**, Woodcliff
Lake, NJ (US); **KTS Company, Ltd.**,
Tokyo (JP)

(74) *Attorney, Agent, or Firm*—Leon Nigohosian, Jr.

(**) Term: **14 Years**

(57) **CLAIM**

The ornamental design for an air ratchet tool handle, as shown and described.

(21) Appl. No.: **29/128,042**

DESCRIPTION

(22) Filed: **Aug. 17, 2000**

FIG. 1 is a left side view of an air ratchet tool handle showing our new design;

(51) **LOC (7) Cl.** **08-05**

FIG. 2 is a right side view of FIG. 1;

(52) **U.S. Cl.** **D8/107; D8/25; D8/61**

FIG. 3 is a top view of FIG. 1;

(58) **Field of Search** D8/21, 25, 107,
D8/61, 68, DIG. 7; 81/467, 58, 60-63.2

FIG. 4 is a bottom view of FIG. 1;

FIG. 5 is a front view of FIG. 1; and,

FIG. 6 is a rear view of FIG. 1.

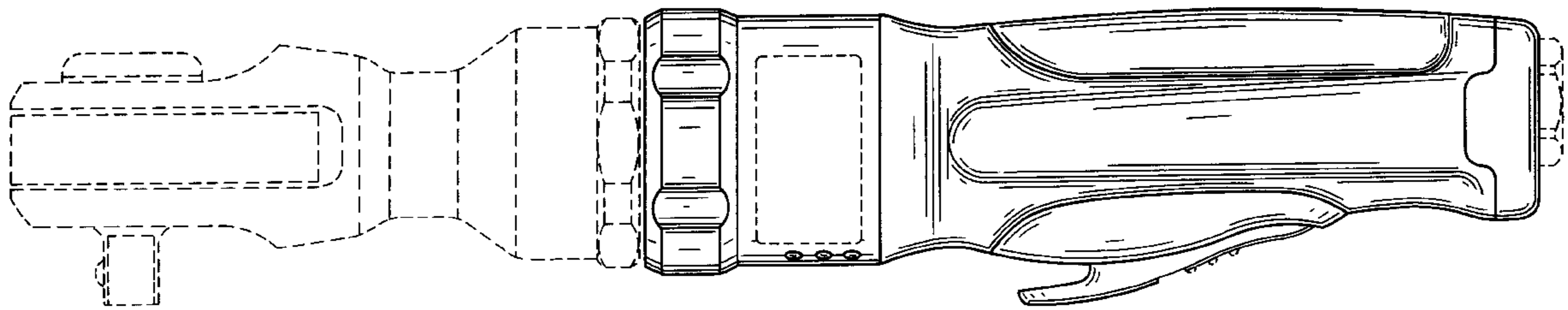
(56) **References Cited**

The structural features depicted by means of broken lines in the drawing figures have been shown for illustrative purposes only and form no part of the claimed design.

U.S. PATENT DOCUMENTS

D. 265,962 * 8/1982 Izumisawa D8/25
D. 380,949 * 7/1997 Sung D8/61

1 Claim, 3 Drawing Sheets



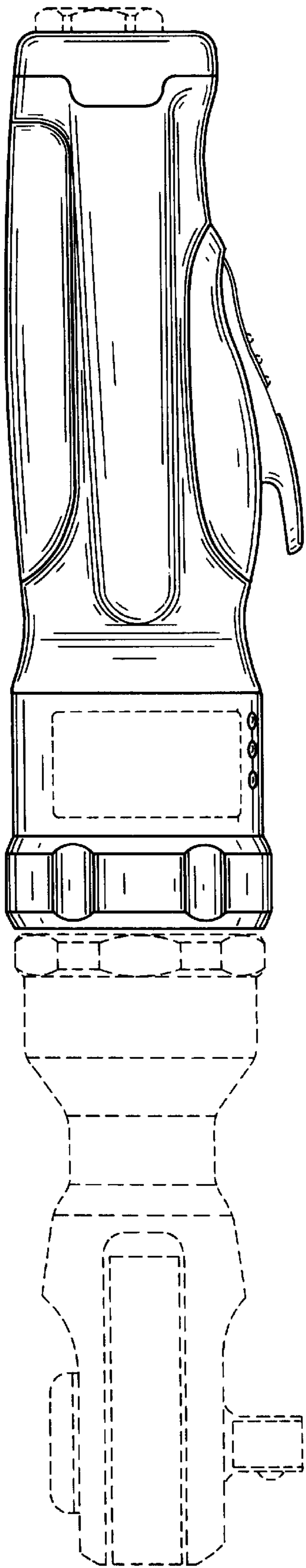


FIG. 1

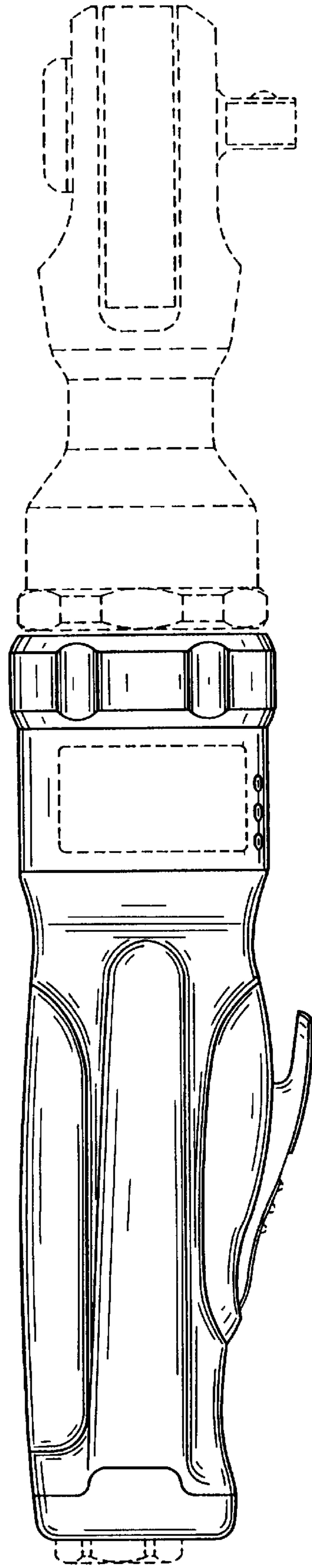


FIG. 2

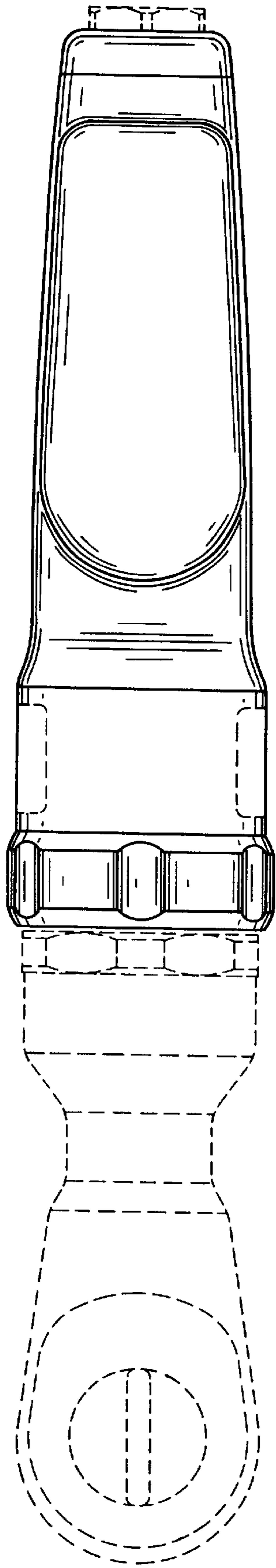


FIG. 3

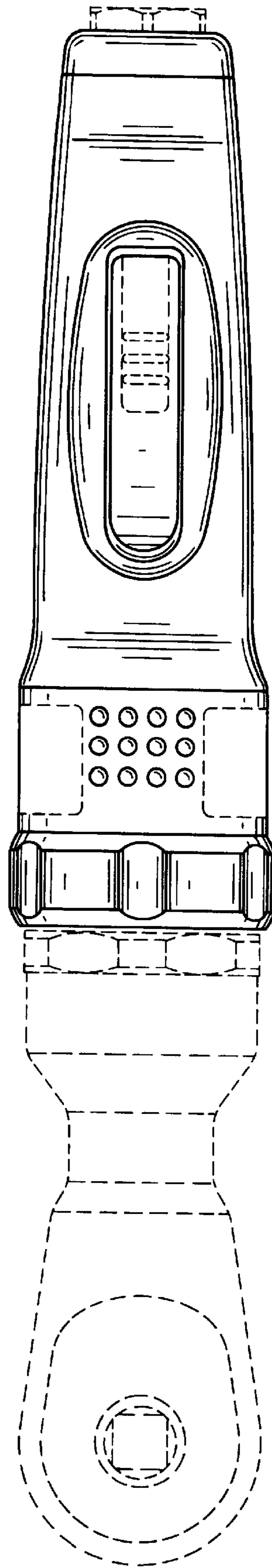


FIG. 4

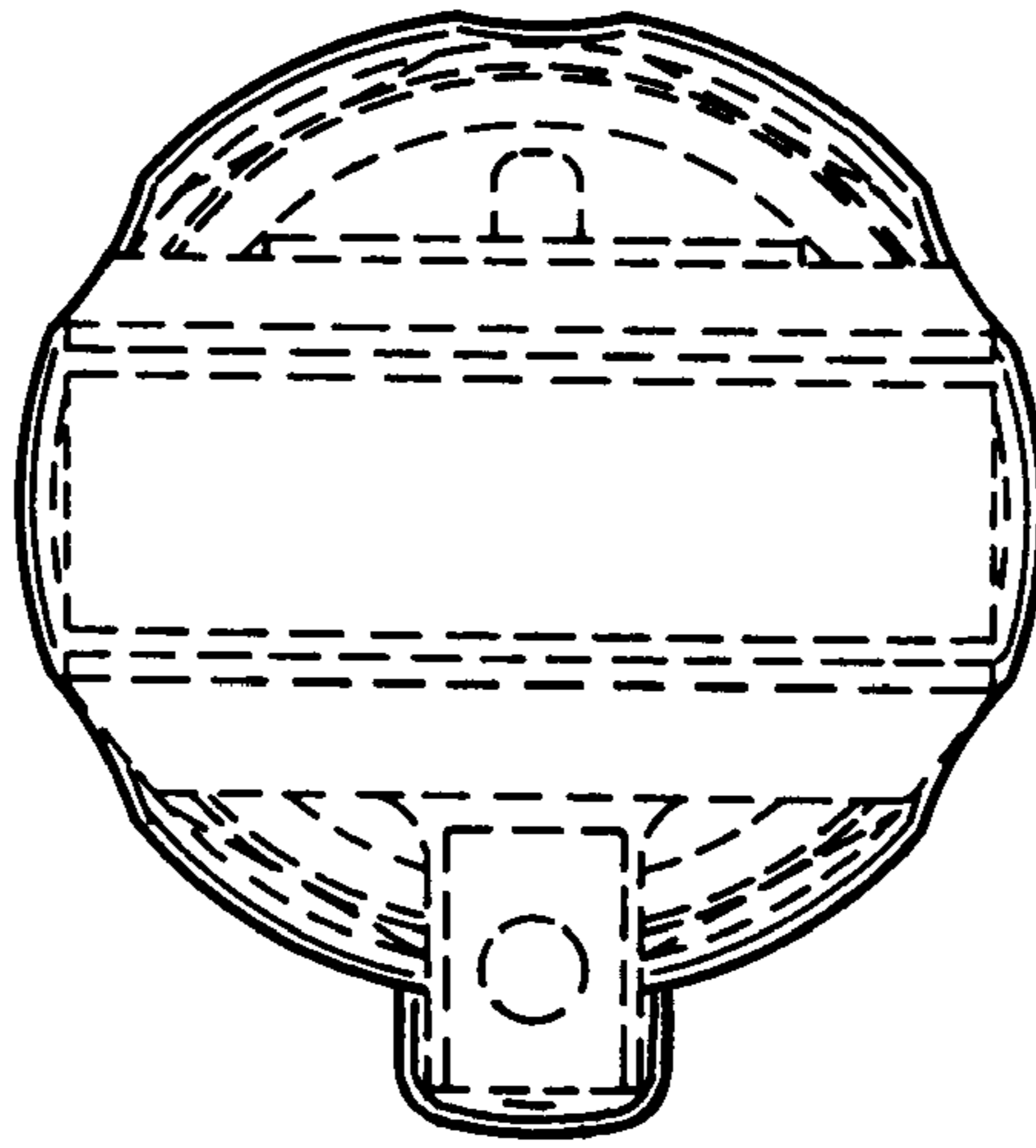


FIG. 5

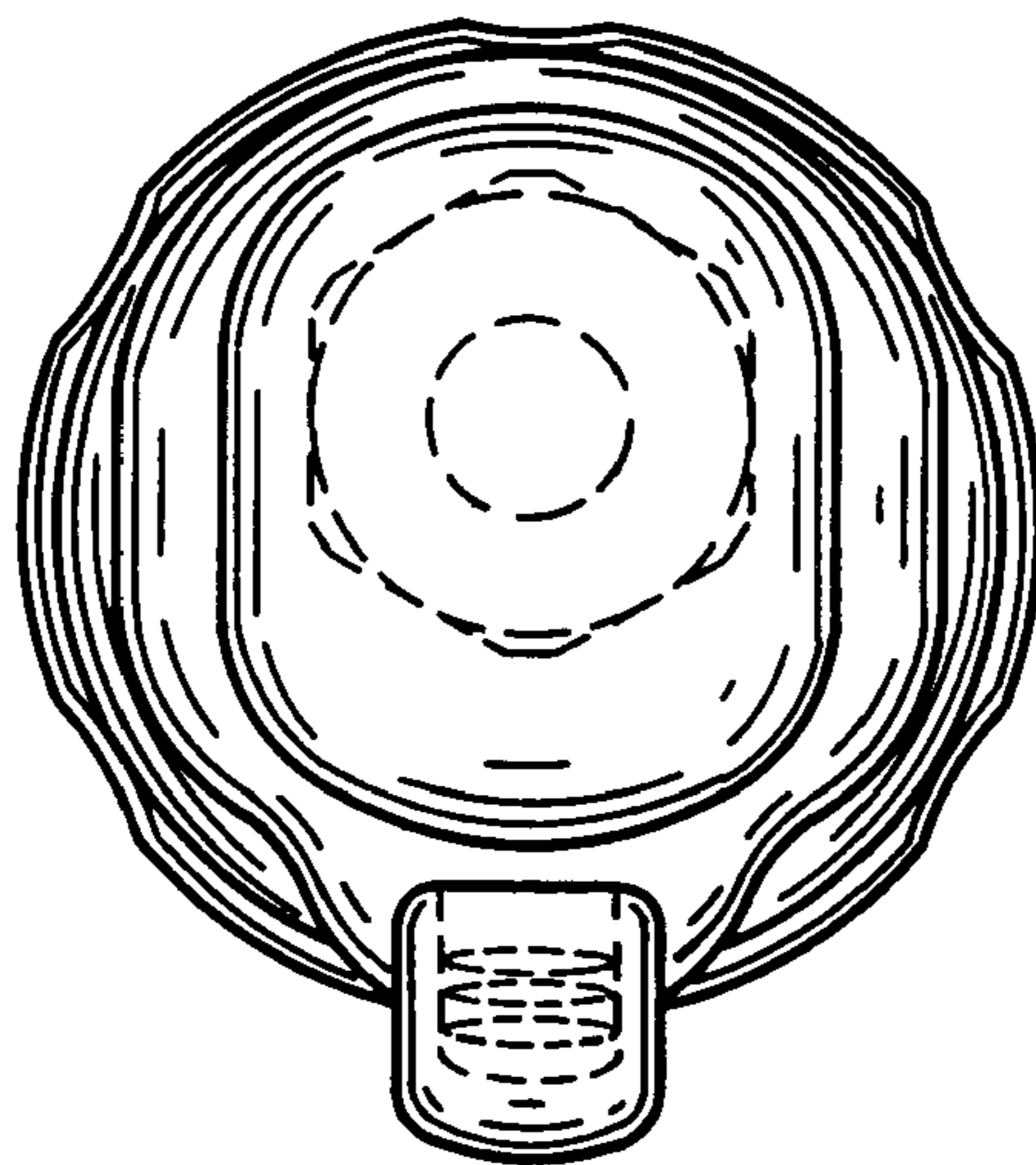


FIG. 6