



US00D449209B1

(12) **United States Design Patent**  
**Aigner**

(10) **Patent No.:** **US D449,209 S**

(45) **Date of Patent:** **\*\* Oct. 16, 2001**

(54) **GRIPPING TOOL FOR WOODEN WORKPIECES**

5,785,827 \* 3/1999 Brutscher et al. .... 144/253.1  
5,894,777 \* 4/1999 Sterling ..... 83/436.2  
6,135,521 \* 10/2000 Wirth, Jr. et al. .... 294/15

(76) Inventor: **Georg Aigner**, Thannenmais, D-94419  
Reisbach (DE)

\* cited by examiner

(\*\*) Term: **14 Years**

*Primary Examiner*—Philip S. Hyder  
(74) *Attorney, Agent, or Firm*—Cohen, Pontani, Lieberman  
& Pavane

(21) Appl. No.: **29/131,597**

(22) Filed: **Oct. 25, 2000**

(57) **CLAIM**

(51) **LOC (7) Cl.** ..... **08-05**

The ornamental design for a gripping tool for wooden workpieces, as shown.

(52) **U.S. Cl.** ..... **D8/71; D8/14**

(58) **Field of Search** ..... D8/71, 14; 83/436.2,  
83/437.2, 438; 294/15, 1.1, 19.1

**DESCRIPTION**

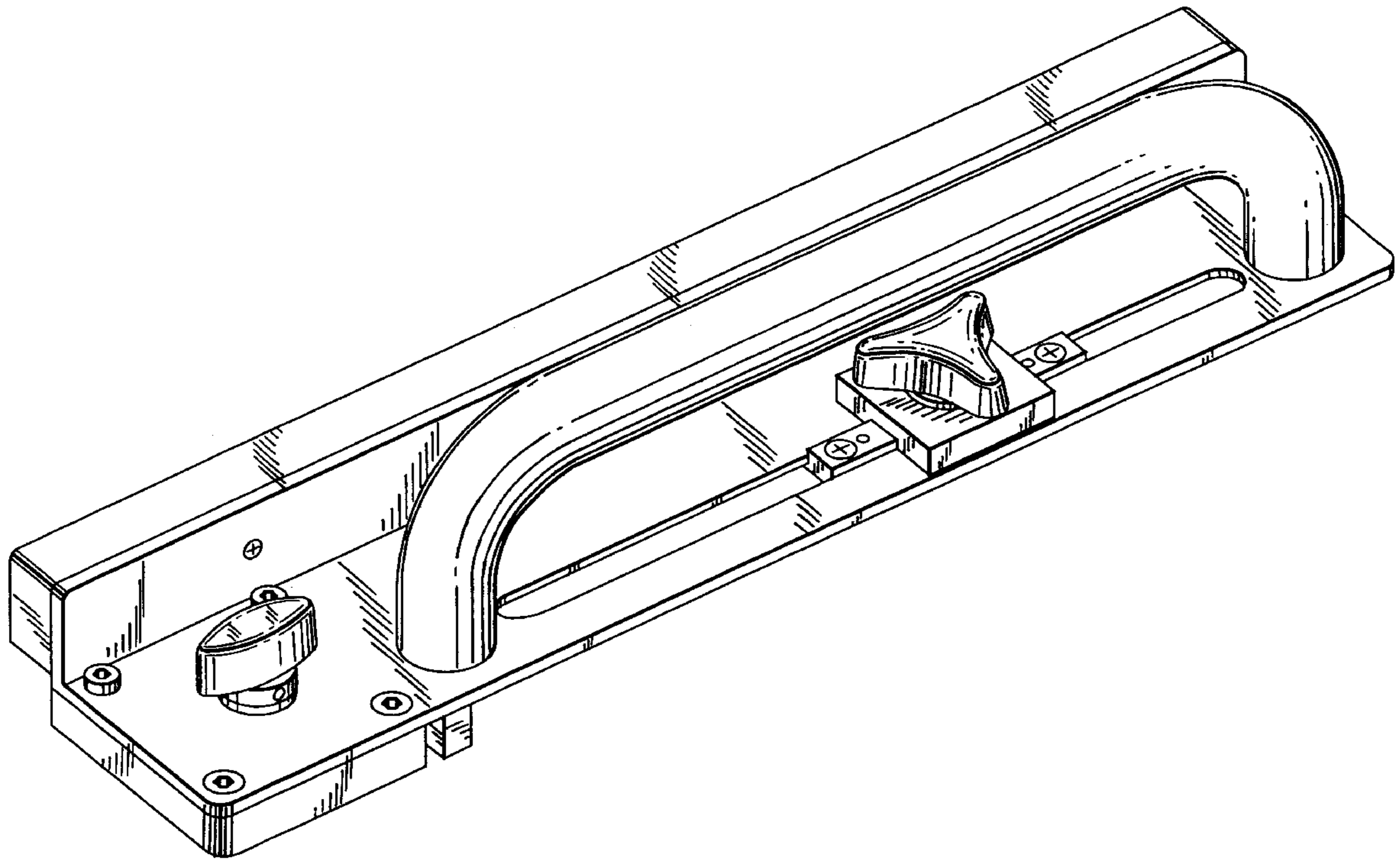
(56) **References Cited**

FIG. 1 is a top view of the gripping tool for wooden workpieces of the present invention;  
FIG. 2 is a front view thereof;  
FIG. 3 is a rear view thereof;  
FIG. 4 is a right-side view thereof;  
FIG. 5 is a bottom view thereof; and,  
FIG. 6 is a front, right side perspective view thereof.

**U.S. PATENT DOCUMENTS**

- D. 278,022 \* 3/1985 Ash ..... D8/14
- D. 278,790 \* 5/1985 Chaney et al. .... D8/71
- D. 337,707 \* 7/1993 McCord, Jr. .... D8/14
- 5,016,509 \* 5/1991 Sottman ..... 83/437
- 5,018,773 \* 5/1991 Staviv et al. .... 294/1.1

**1 Claim, 3 Drawing Sheets**



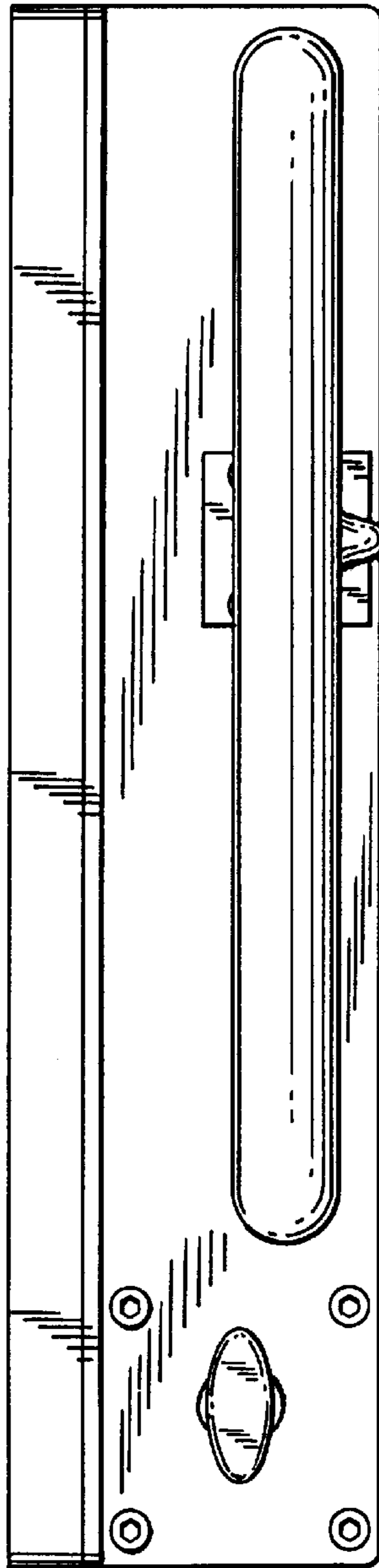


FIG. 1

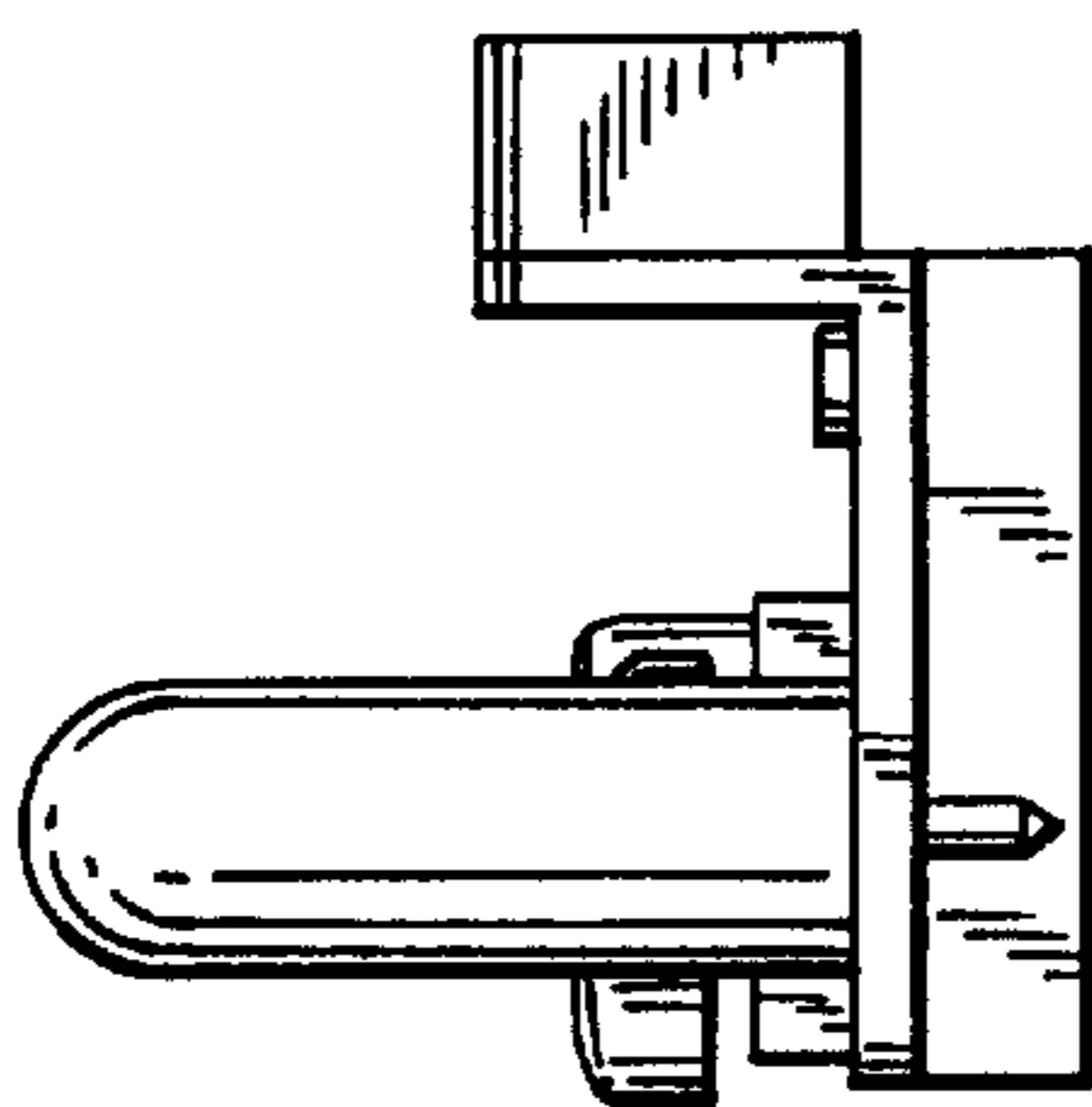


FIG. 2

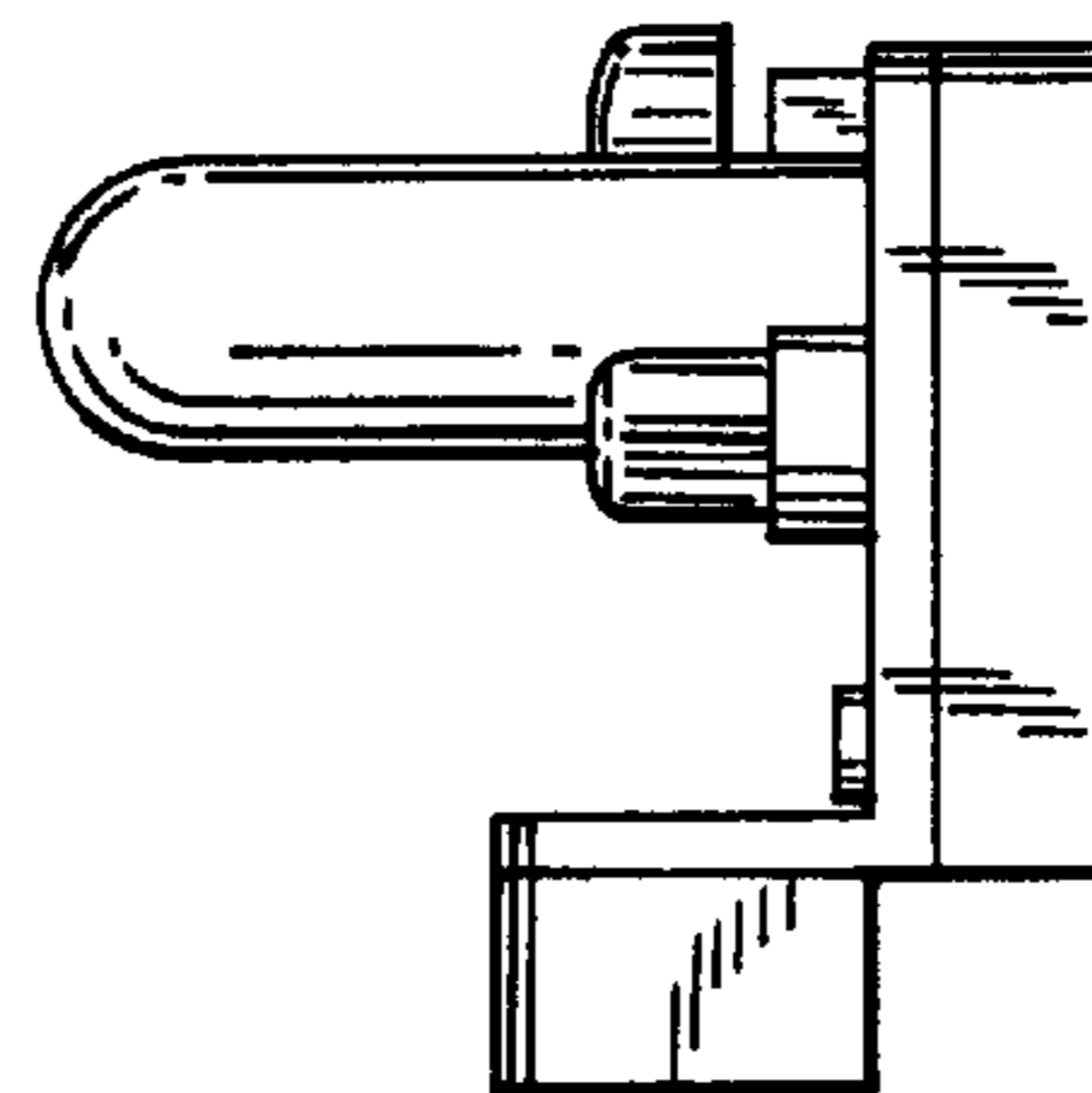


FIG. 3

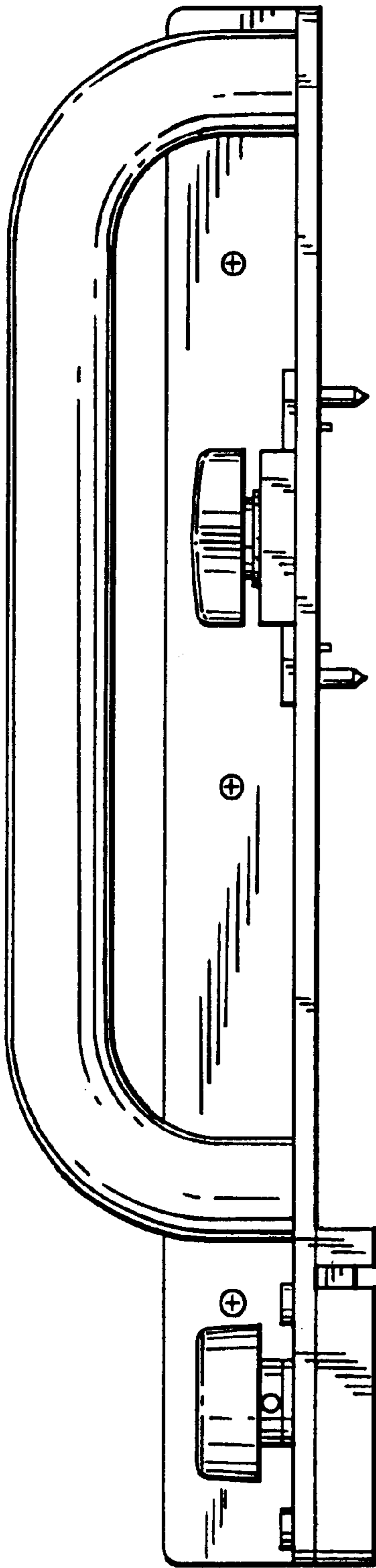


FIG. 4

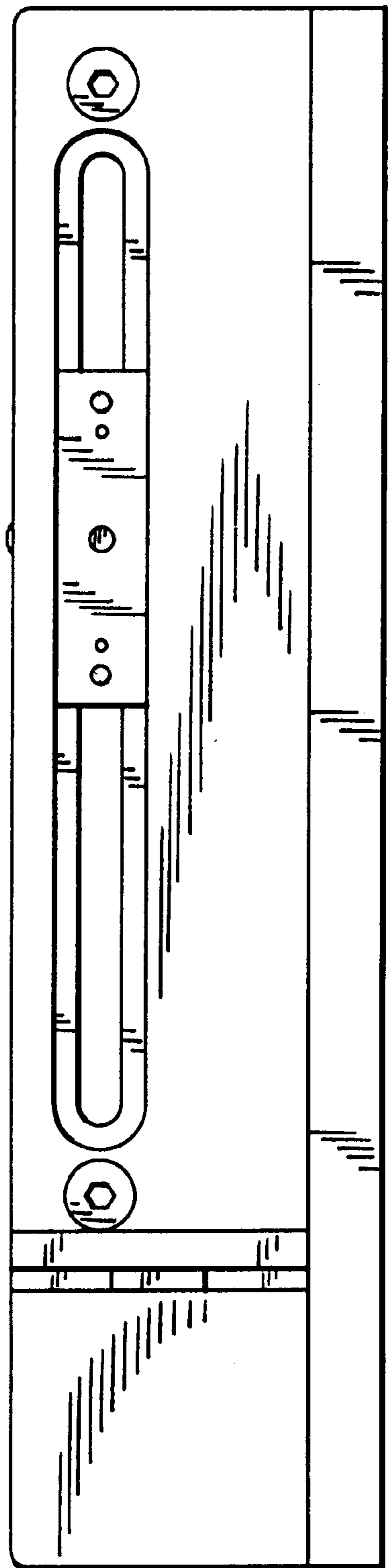


FIG. 5

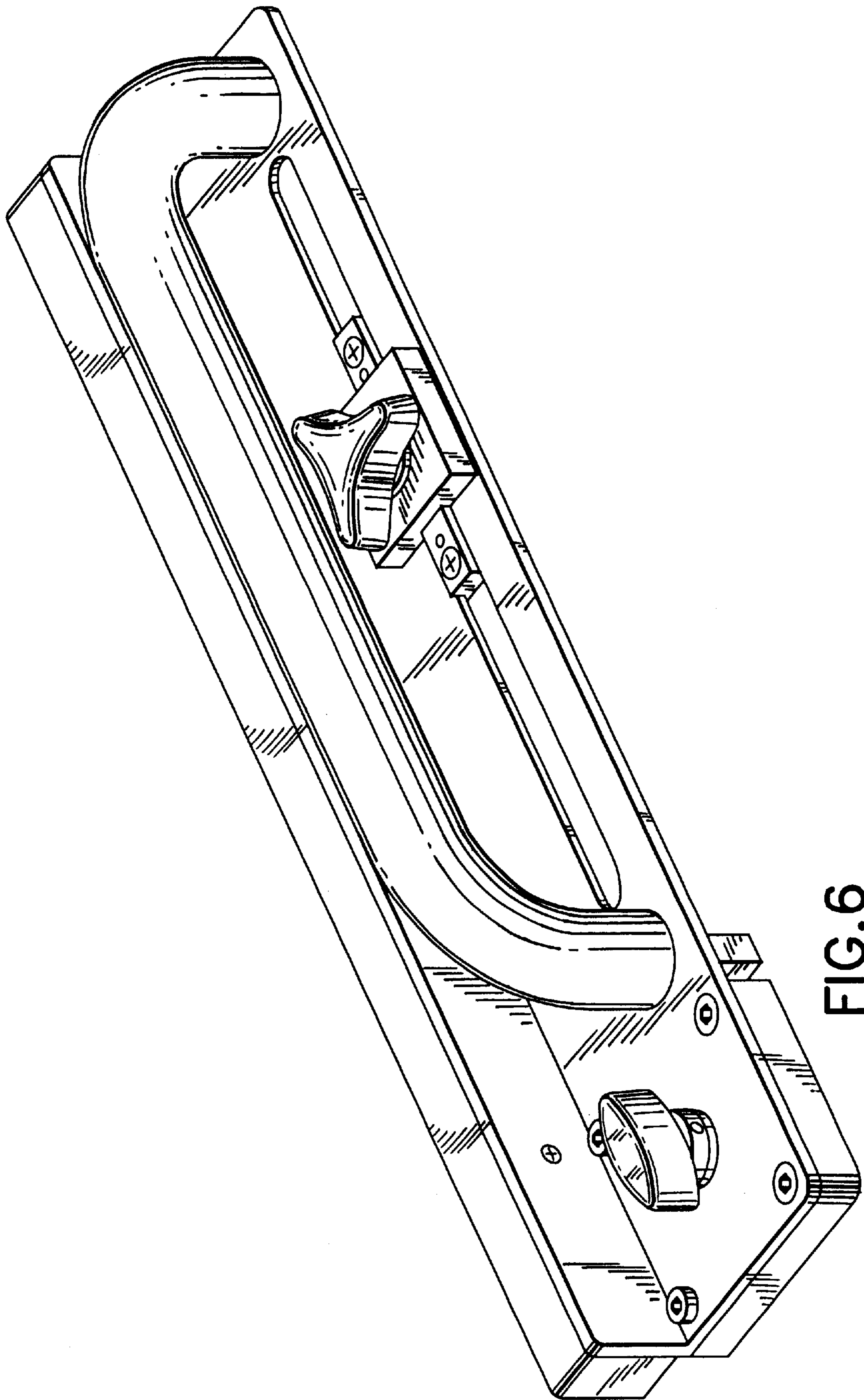


FIG. 6