



US00D449207B1

(12) **United States Design Patent**
Miller

(10) **Patent No.:** **US D449,207 S**

(45) **Date of Patent:** **** Oct. 16, 2001**

- (54) **ELECTRIC CARVING KNIFE**
- (75) Inventor: **Jeffrey Frederick Miller**, New York, NY (US)
- (73) Assignee: **Conair Corporation**, Stamford, CT (US)
- (**) Term: **14 Years**
- (21) Appl. No.: **29/137,757**
- (22) Filed: **Feb. 27, 2001**
- (51) **LOC (7) Cl.** **07-03**
- (52) **U.S. Cl.** **D7/646**
- (58) **Field of Search** D7/646, 649, 650; 30/272.1, 277.4, 123.6; D8/30

3,461,556	8/1969	Chambers	30/272
3,650,029	3/1972	Trele	30/272
3,728,792	4/1973	Gault	30/355
4,348,807 *	9/1982	Ashdown et al.	30/123.6
4,677,749	7/1987	Brison	30/355
4,711,030	12/1987	Ruston, Sr.	30/272

OTHER PUBLICATIONS

Black & Decker, Internet product publication, model #EK600 Ergo™ Electric Knife, (visited Aug. 25, 2000).

* cited by examiner

Primary Examiner—Caron D. Veynar
(74) *Attorney, Agent, or Firm*—Ohlandt, Greeley, Ruggiero, & Perle, LLP

(56) **References Cited**

U.S. PATENT DOCUMENTS

D. 197,606 *	3/1964	Daber	D7/646
D. 197,715 *	3/1964	Leyden	D7/646
D. 198,023	4/1964	Shwisha	D7/646
D. 204,135	3/1966	Cassidy et al.	D7/646
D. 207,767	5/1967	Bremshey et al.	
D. 238,547	1/1976	Emmerson	D8/30
D. 298,601	11/1988	Tsuji	D7/646
D. 312,192	11/1990	Barrault	D7/646
D. 347,145	5/1994	Neshat et al.	D7/646
D. 348,184	6/1994	Neshat et al.	D7/646
D. 351,766	10/1994	McClosky et al.	D7/646
D. 388,285	12/1997	Neshat et al.	D7/646
D. 421,367 *	3/2000	Naft et al.	D7/646
D. 431,972 *	10/2000	Naft et al.	D7/646
3,203,096 *	8/1965	Beisheim et al.	30/277.4
3,303,563	2/1967	Peterson	30/272
3,307,259	3/1967	Christensen	30/272
3,315,356	4/1967	Swanke et al.	30/272
3,316,636	5/1967	Raper et al.	30/210
3,337,954	8/1967	Robison	30/272
3,418,713 *	12/1968	Bauer	30/277.4

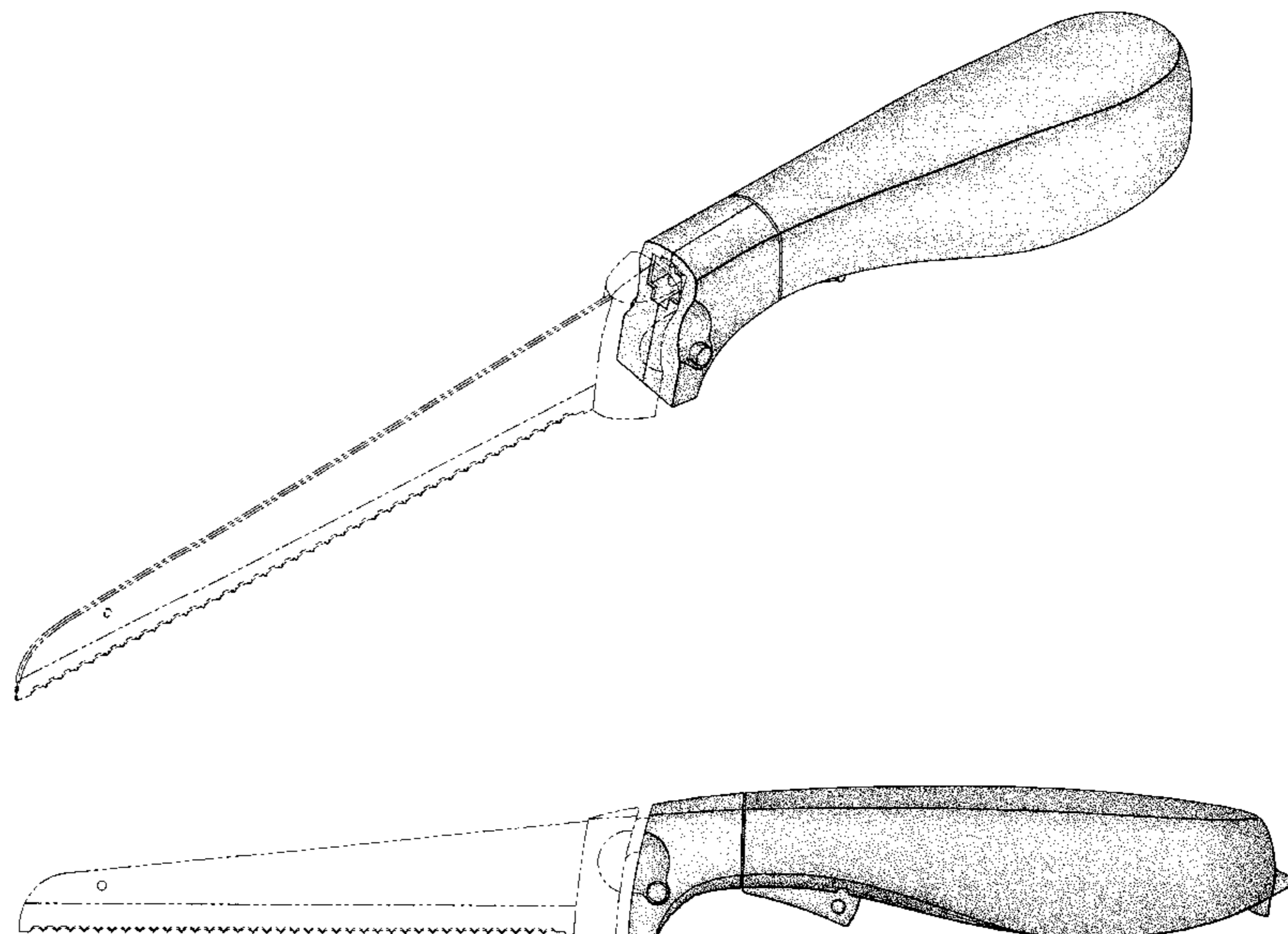
(57) **CLAIM**

The ornamental design for an electric carving knife, as shown and described.

DESCRIPTION

FIG. 1 is a perspective view of an electric carving knife according to the present invention;
 FIG. 2 is a first side view of the electric carving knife of FIG. 1;
 FIG. 3 is a second, opposite view of the electric carving knife of FIG. 1;
 FIG. 4 is a top view of the electric carving knife of FIG. 1;
 FIG. 5 is a bottom view of the electric carving knife of FIG. 1;
 FIG. 6 is a first end view of the electric carving knife of FIG. 1; and,
 FIG. 7 is a second, opposite end view of the electric carving knife of FIG. 1.
 The broken lines showing a knife blade in FIGS. 1–5 are for illustrative purposes only and form no part of the claimed design.

1 Claim, 4 Drawing Sheets



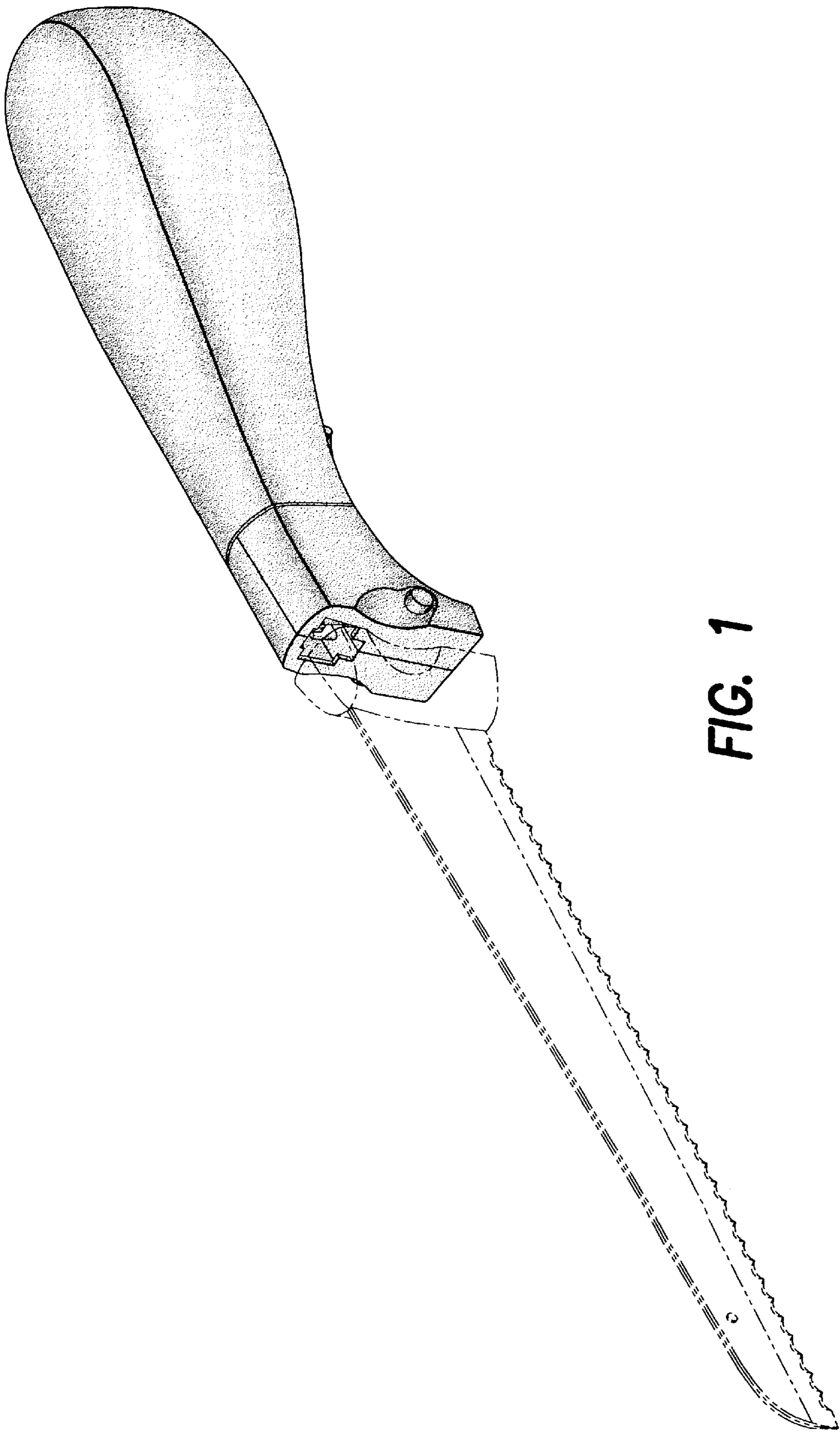


FIG. 1

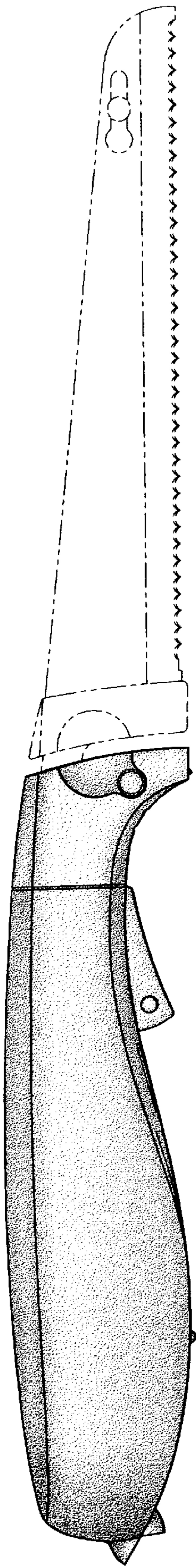


FIG. 2

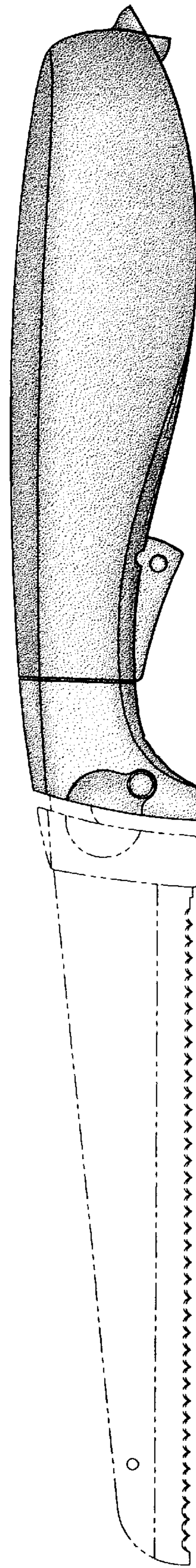


FIG. 3

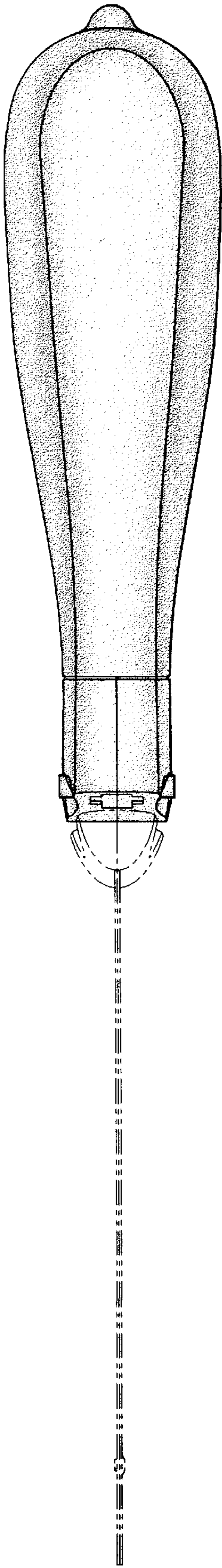


FIG. 4

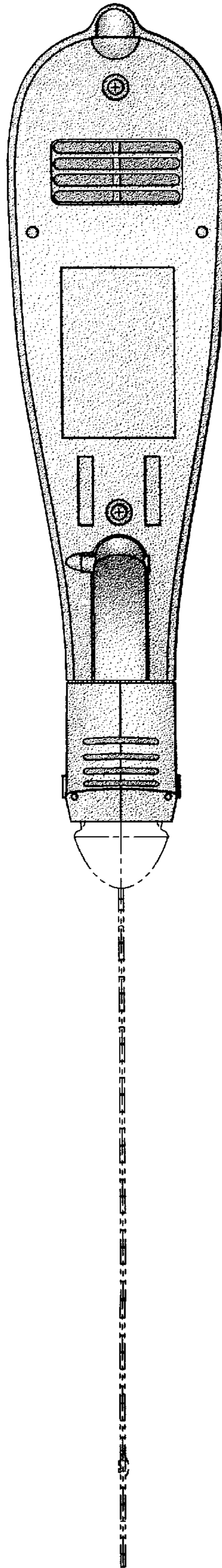


FIG. 5

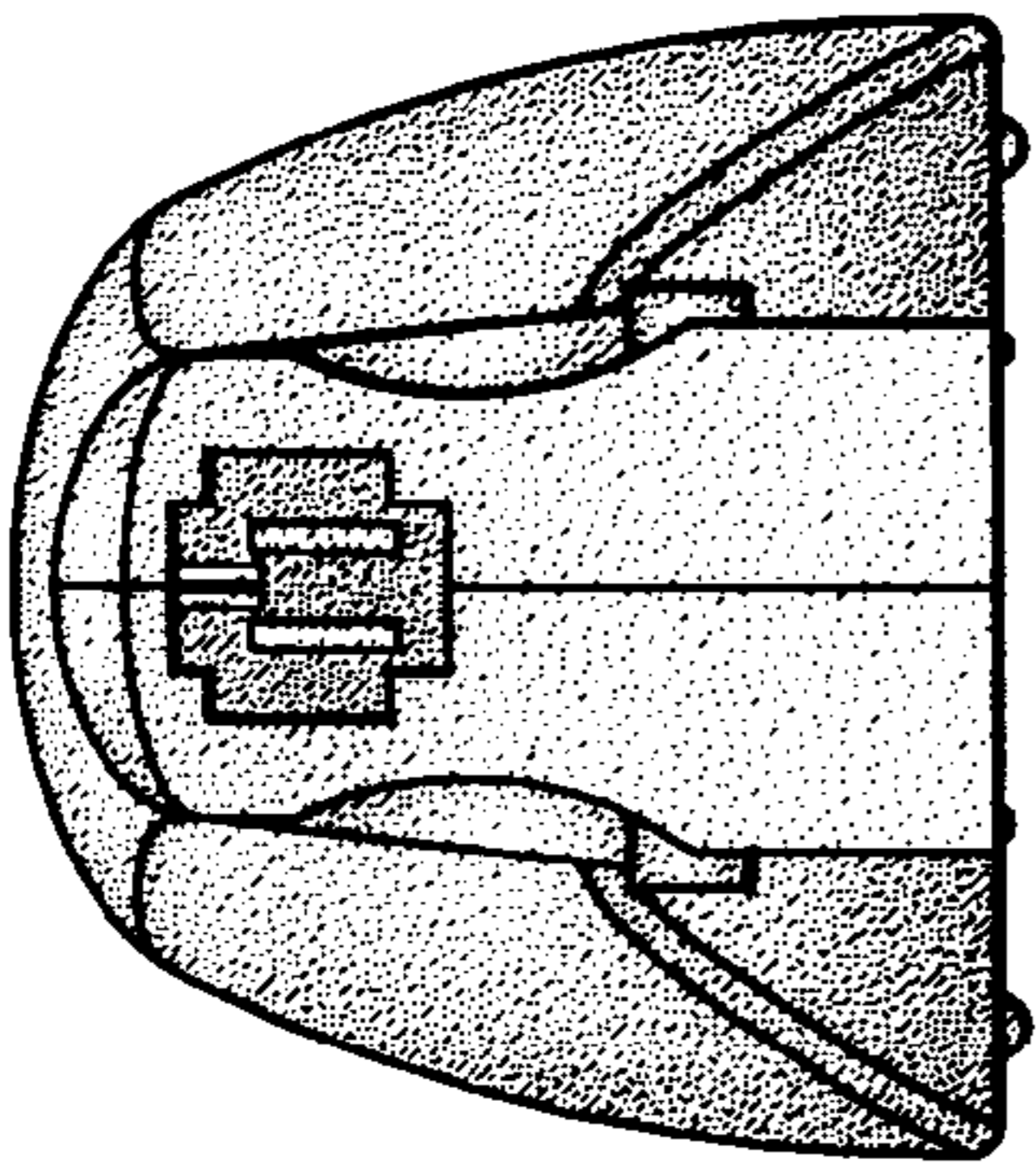


FIG. 6

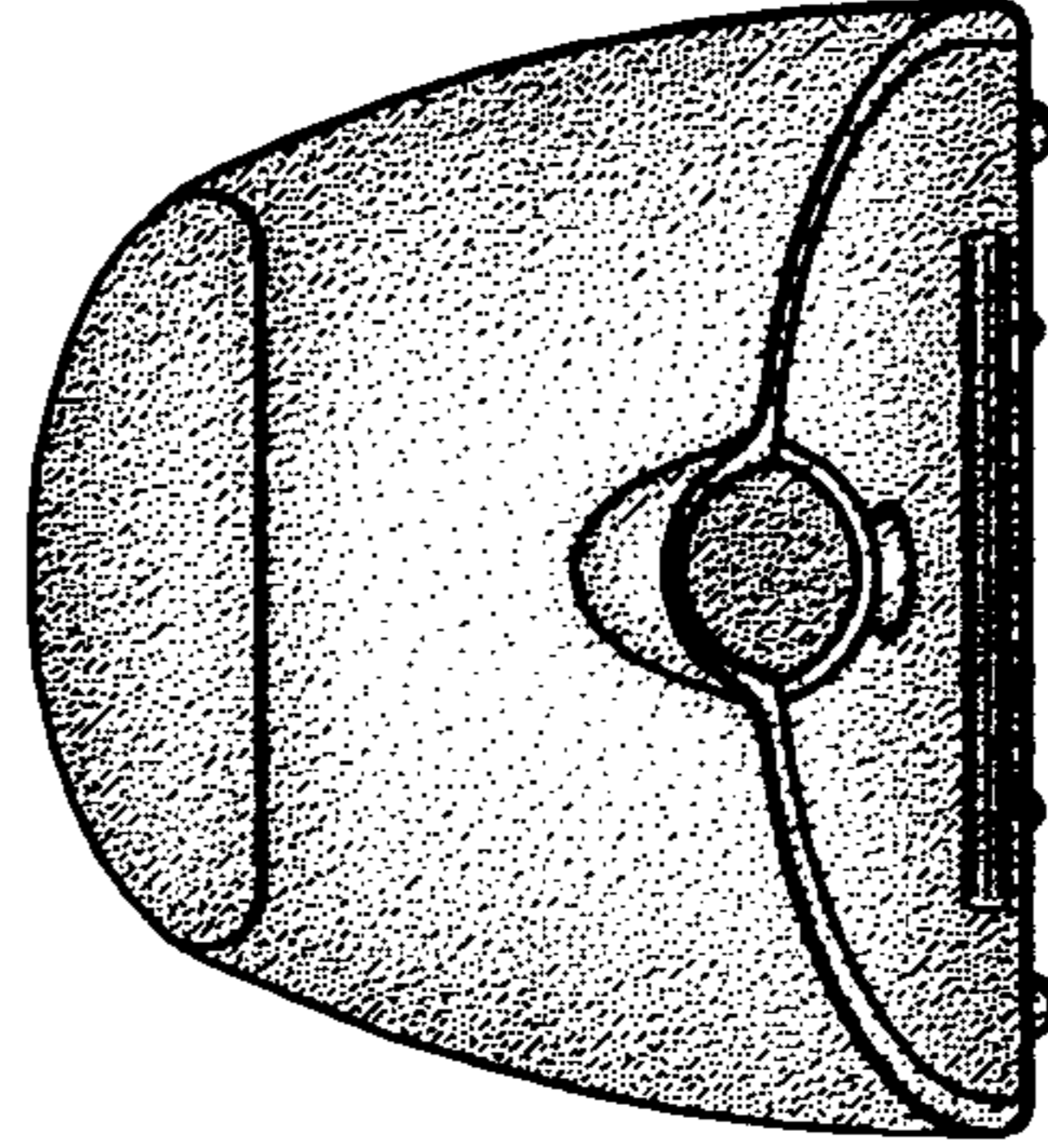


FIG. 7