



US00D449206B1

(12) **United States Design Patent**
DuBow

(10) **Patent No.:** **US D449,206 S**

(45) **Date of Patent:** **** Oct. 16, 2001**

(54) **WINE GLASS HOLDER**

(76) Inventor: **Stephen DuBow**, P.O. Box 7861,
Newport Beach, CA (US) 92660

(**) Term: **14 Years**

(21) Appl. No.: **29/118,963**

(22) Filed: **Feb. 18, 2000**

(51) **LOC (7) Cl.** **07-06**

(52) **U.S. Cl.** **D7/620**

(58) **Field of Search** D7/619, 620, 396.1,
D7/396.2; 211/41.2, 71.01, 74; 248/311.2,
314, 315, 231.81, 229.16

(56) **References Cited**

U.S. PATENT DOCUMENTS

D. 281,565	*	12/1985	Stourton et al.	D7/620
D. 350,456	*	9/1994	Linder	D7/620
2,719,414	*	10/1955	Davis	248/311.2 X
4,961,555	*	10/1990	Egan, Jr.	248/231.81

* cited by examiner

Primary Examiner—Terry A. Wallace

(74) *Attorney, Agent, or Firm*—George F. Bethel

(57) **CLAIM**

I claim the ornamental design for a wine glass holder, as shown and described.

DESCRIPTION

FIG. 1 shows a perspective view of my new design for a

wine glass holder in association with a plate or tray with a dotted outline of a wine glass in the holder.

FIG. 2 shows a side elevation view looking from the left side of FIG. 1.

FIG. 3 shows a top plan view.

FIG. 4 shows a front view looking from the front of the wine glass holder of FIG. 1.

FIG. 5 shows a side elevation view looking from the right hand side of FIG. 1.

FIG. 6 shows a back elevation view looking from the back of the wine glass holder as seen in FIG. 1.

FIG. 7 shows a bottom view looking upwardly at the wine glass holder as shown in FIG. 1.

FIG. 8 shows an alternative embodiment analogous to the showing of FIG. 1 looking from the left side thereof.

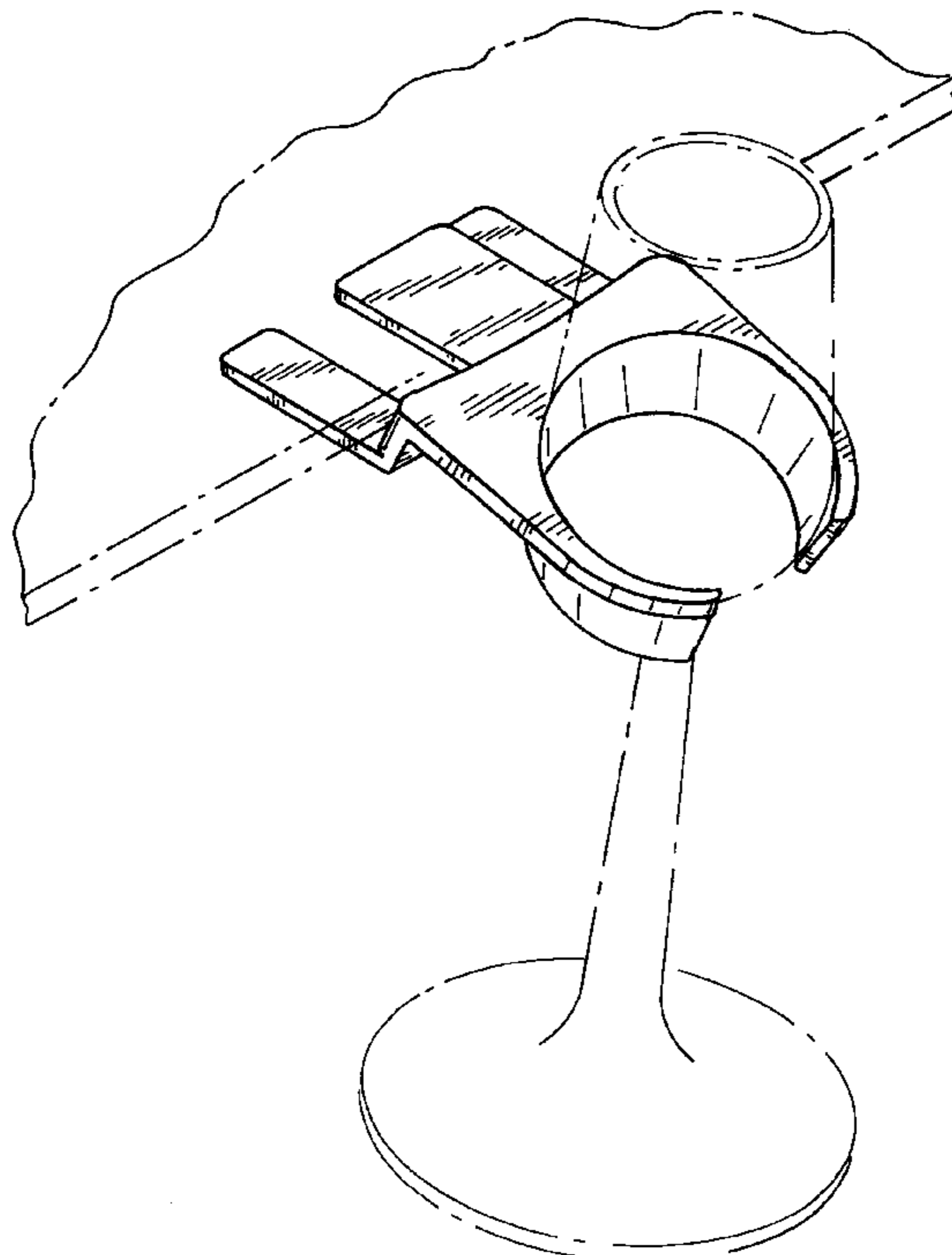
FIG. 9 shows an alternative embodiment looking from the right side of the perspective view of FIG. 1.

FIG. 10 shows a rear elevation view of the alternative embodiment; and,

FIG. 11 shows a bottom view of the alternative embodiment.

The broken lines are for illustrative purposes only and form no part of the claimed design.

1 Claim, 3 Drawing Sheets



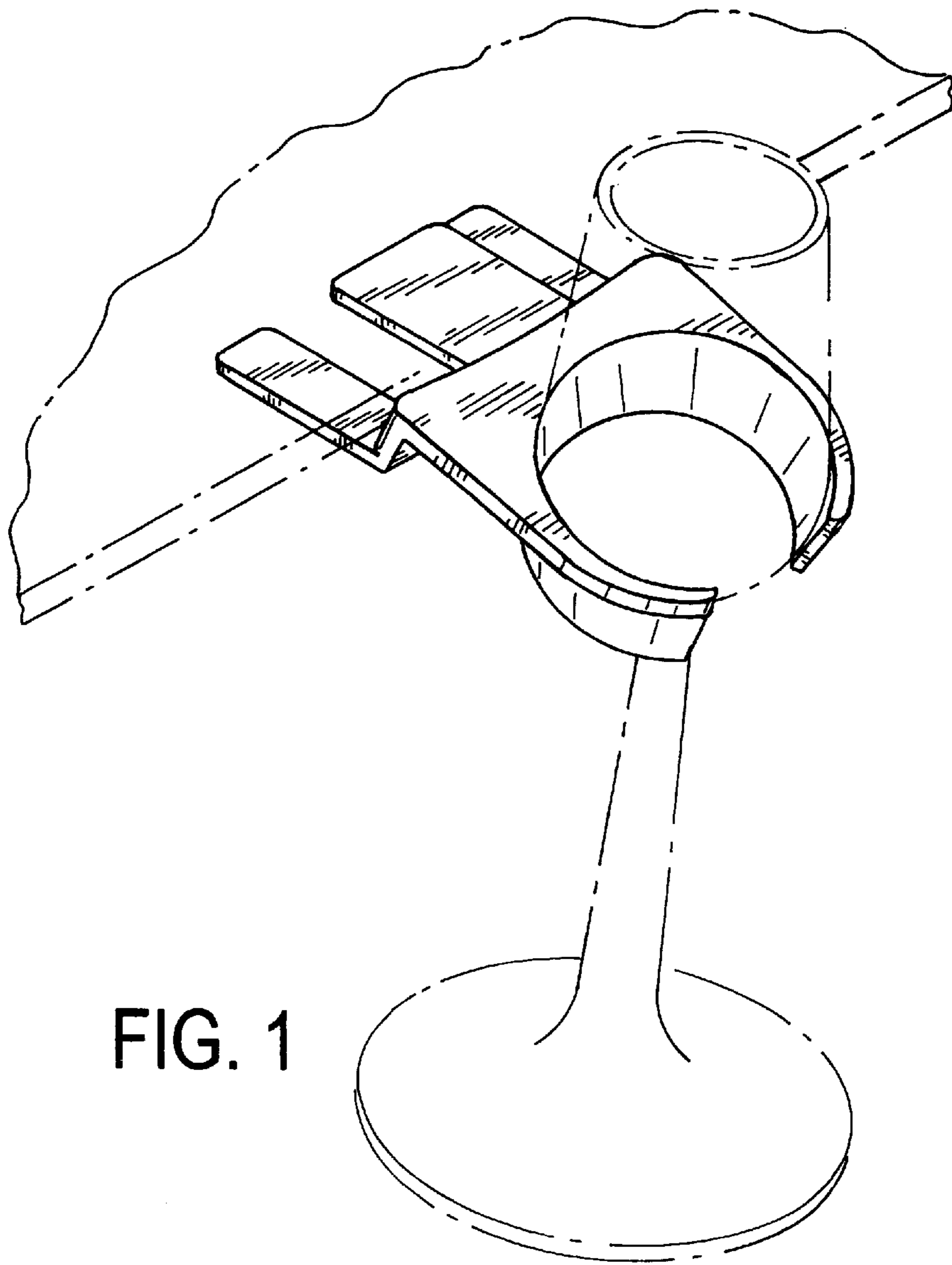


FIG. 1

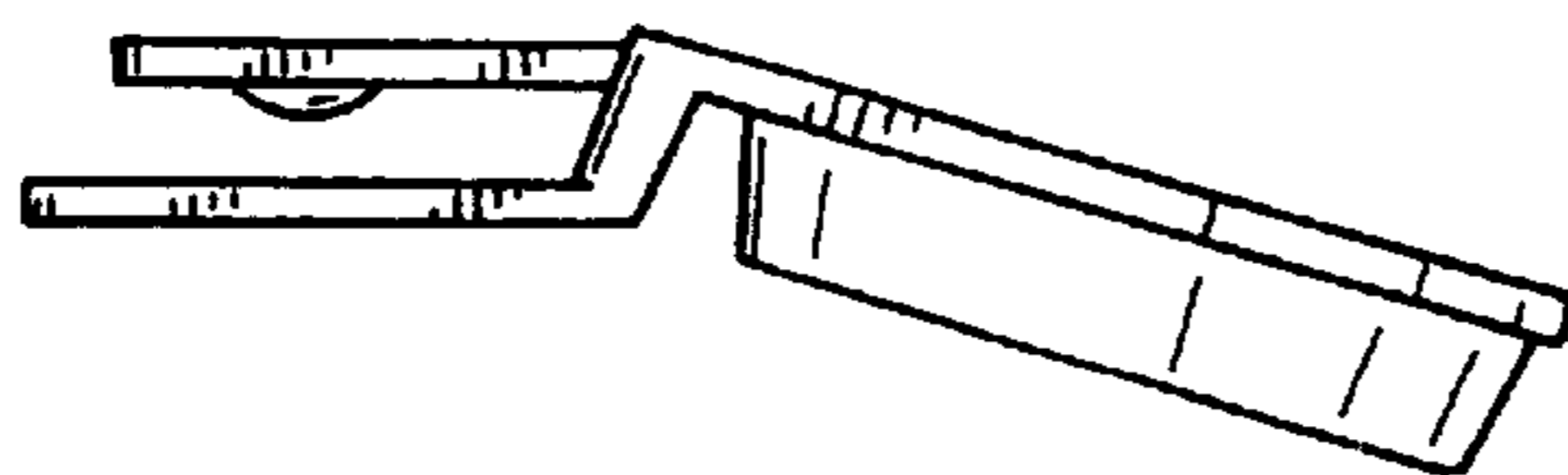


FIG. 2

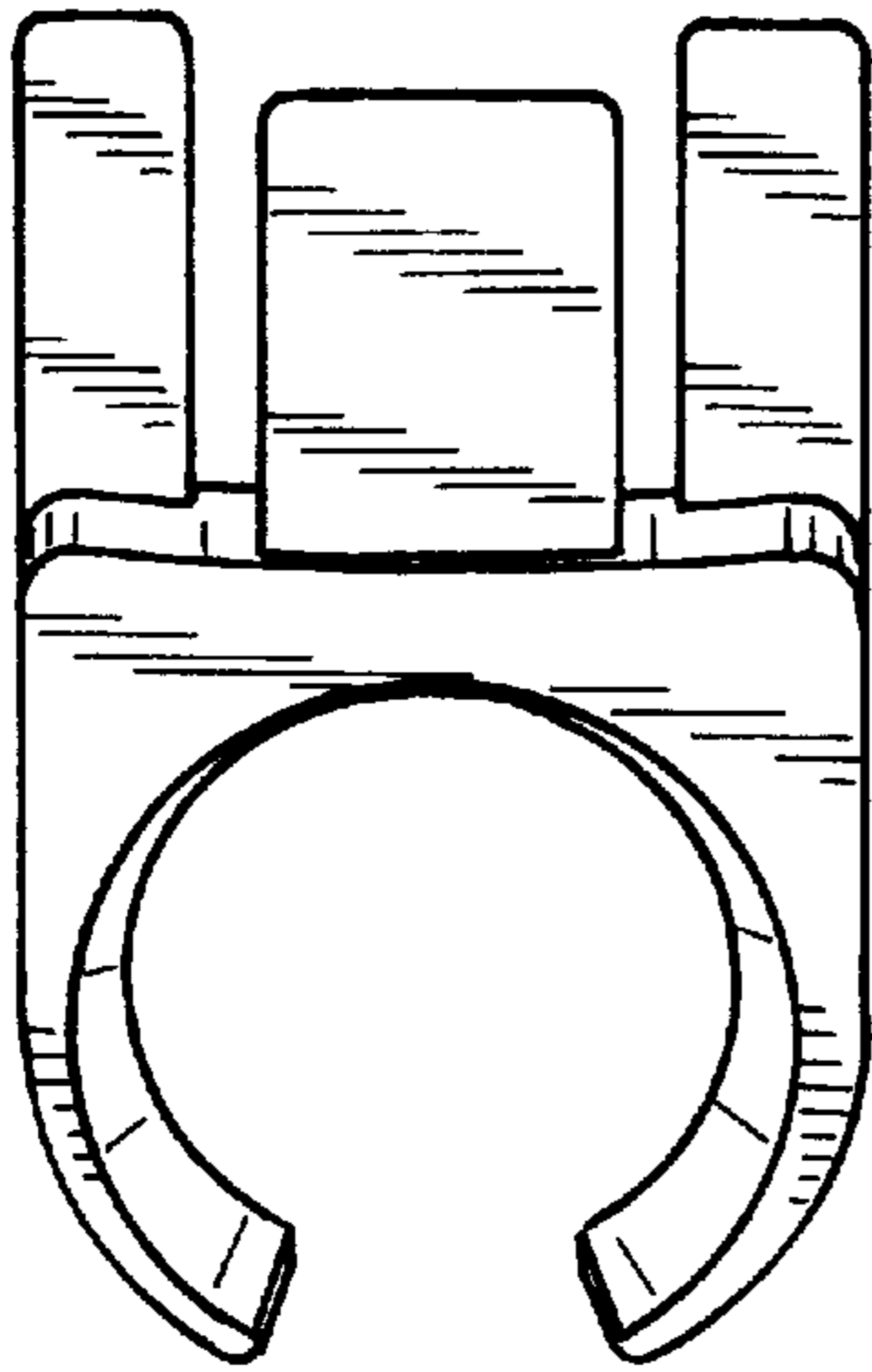


FIG. 3

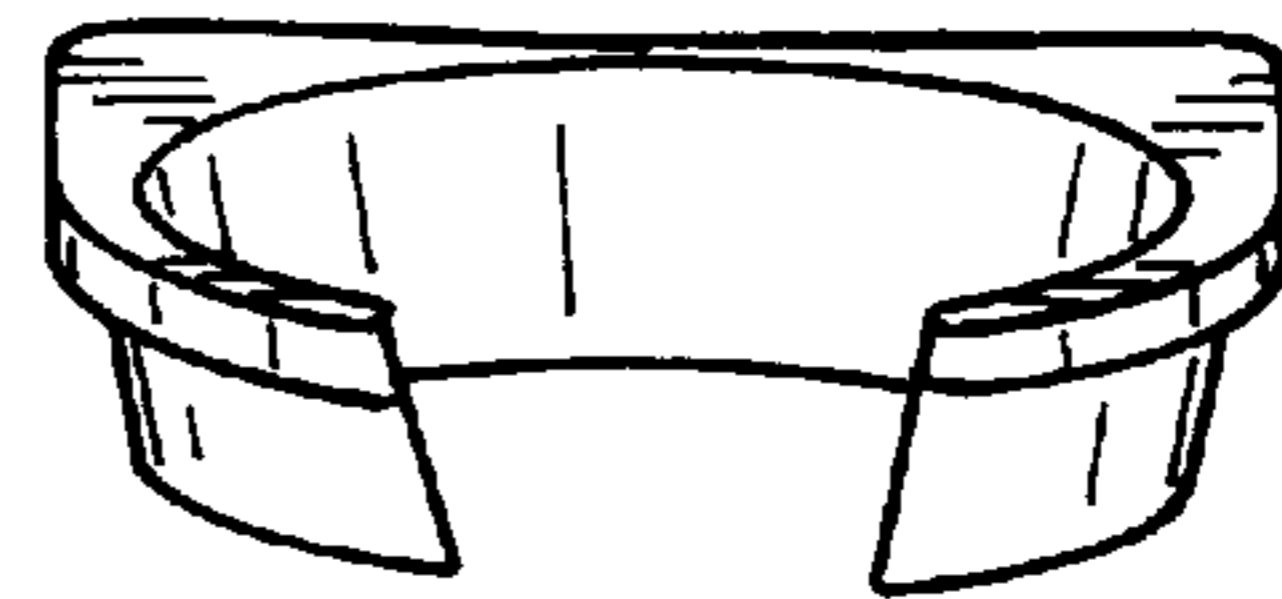


FIG. 4

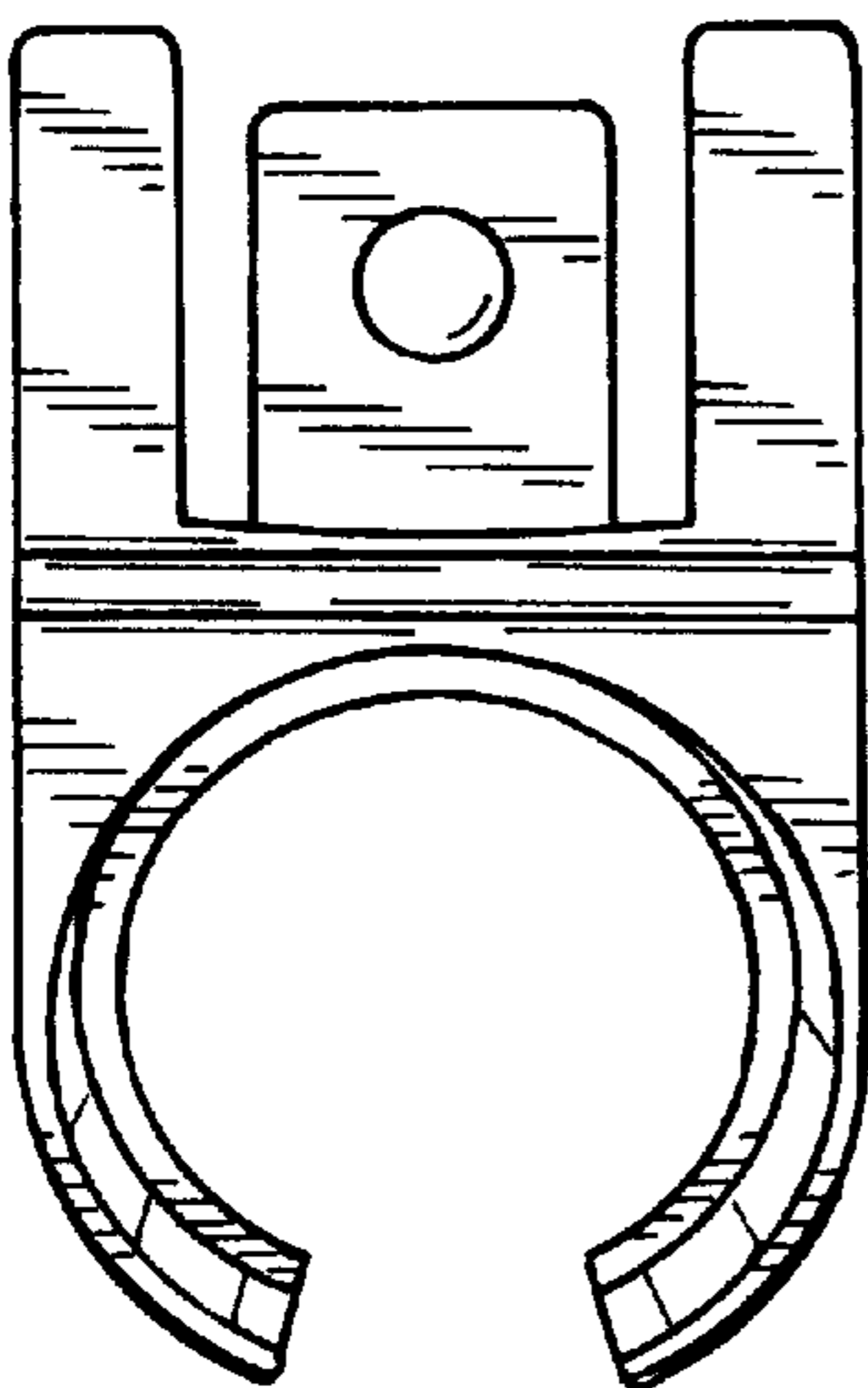


FIG. 7

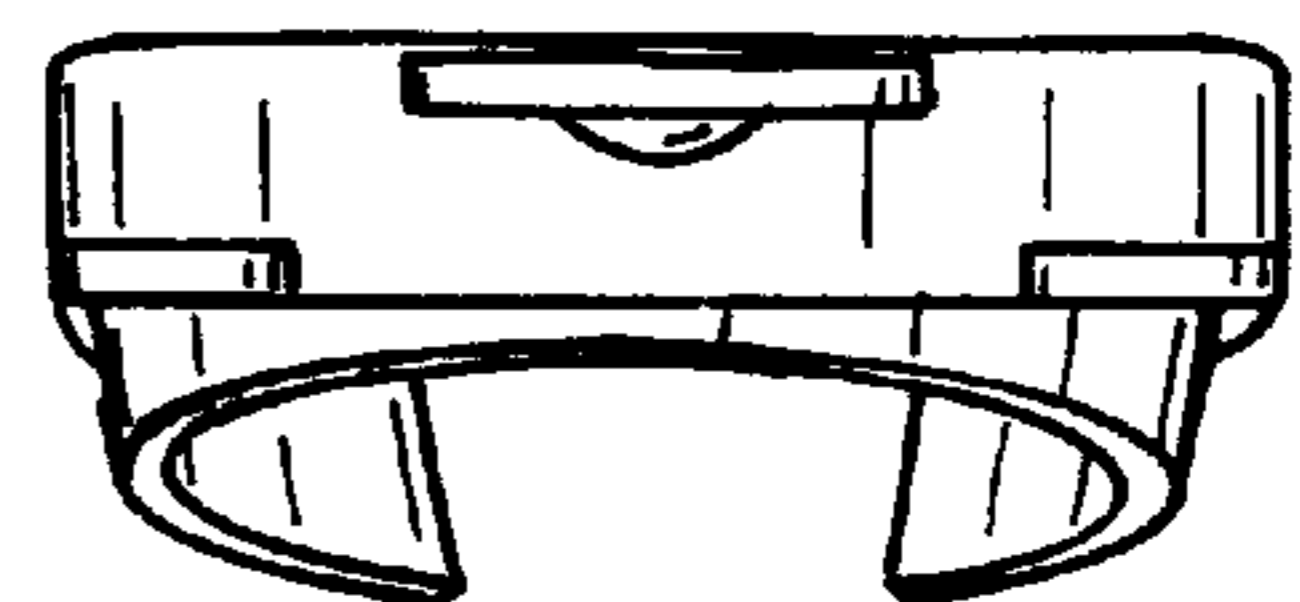


FIG. 6

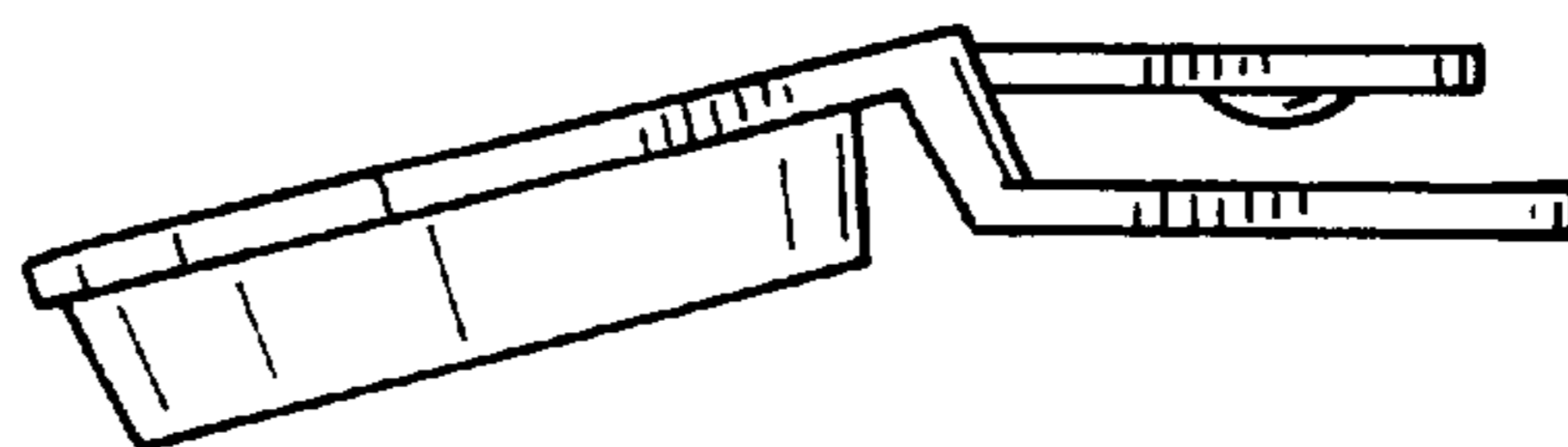


FIG. 5

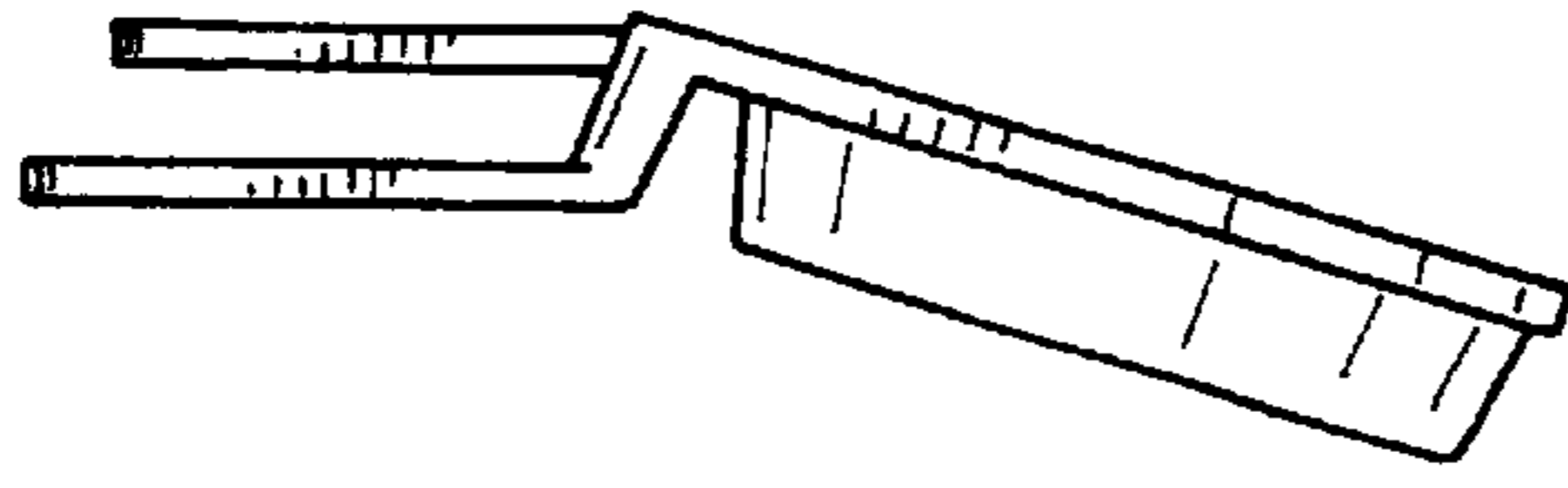


FIG. 8

FIG. 9

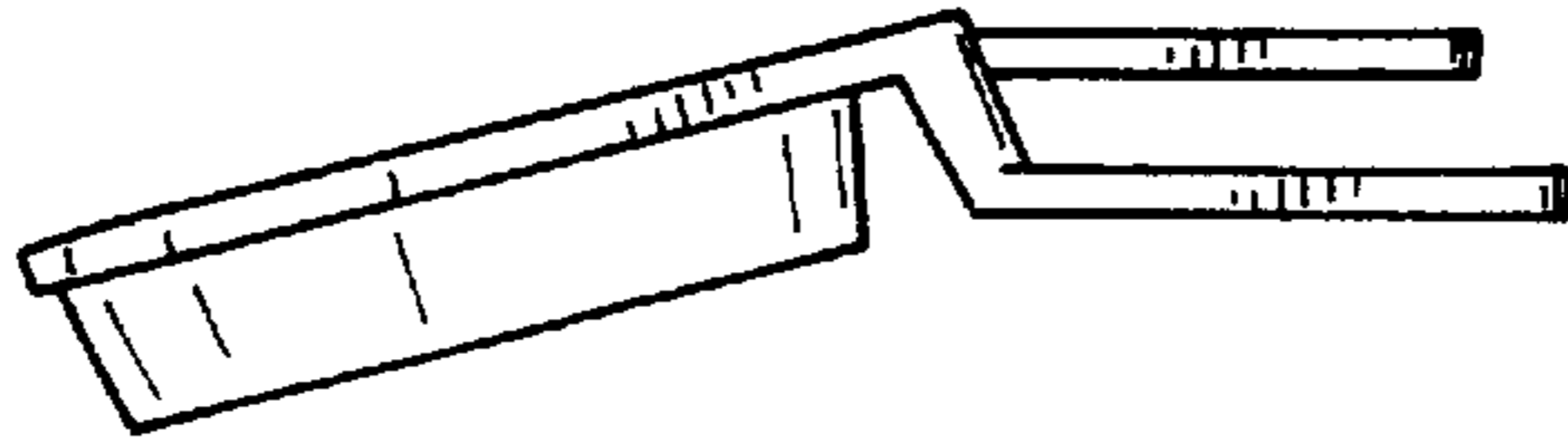


FIG. 10

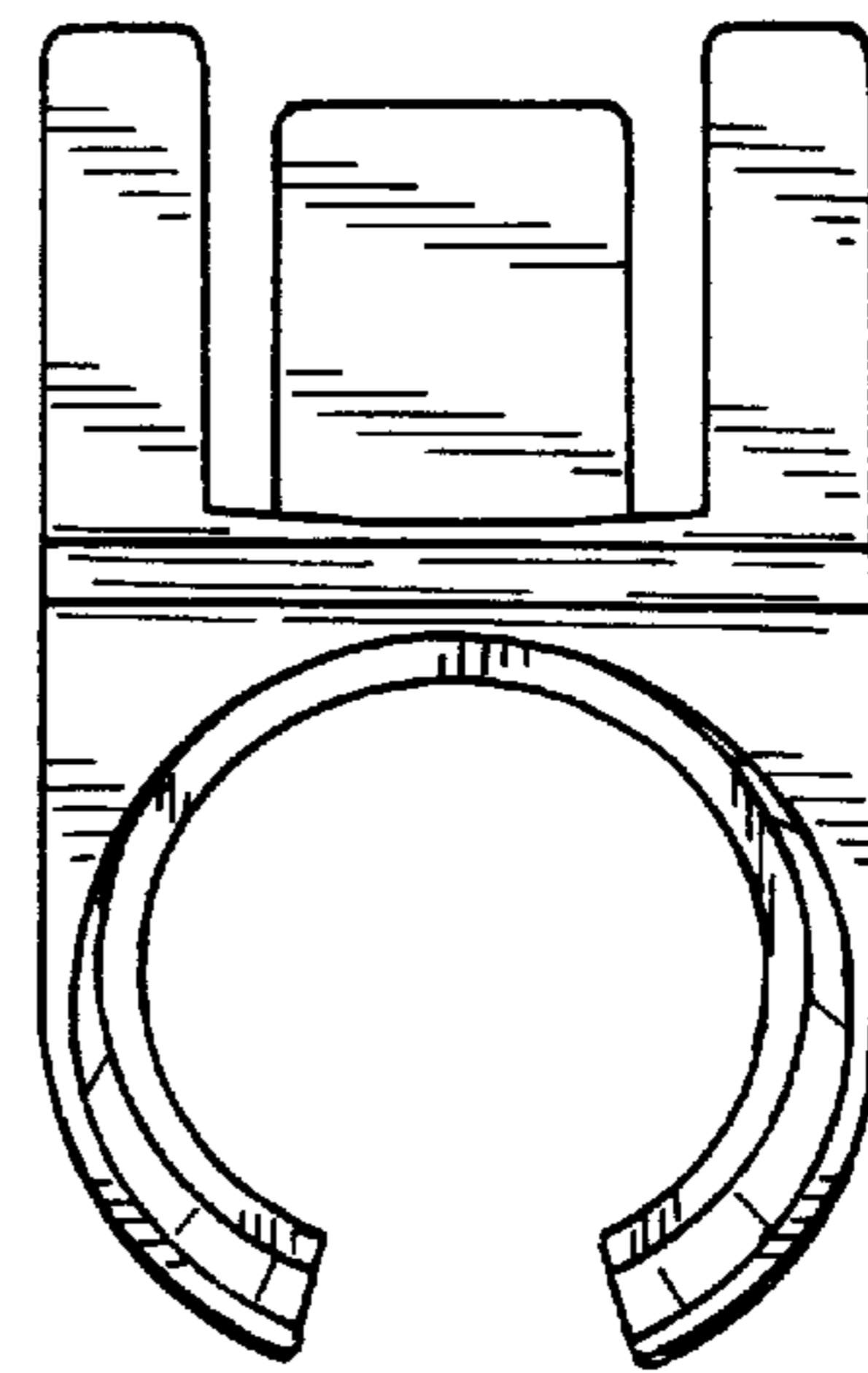
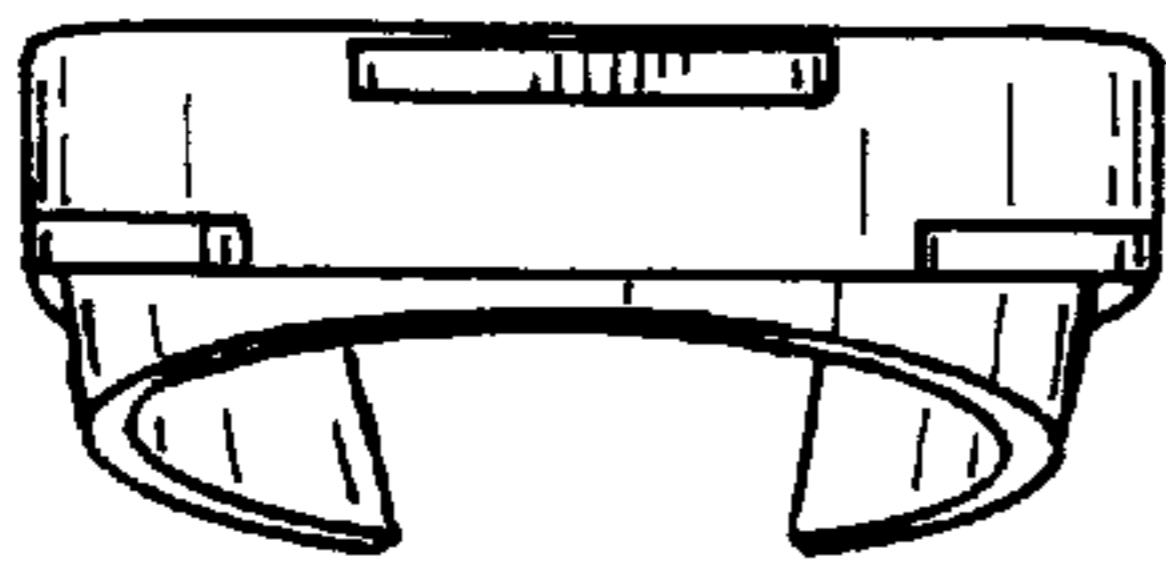


FIG. 11