



US00D449205B1

(12) **United States Design Patent**
Zank

(10) **Patent No.:** **US D449,205 S**

(45) **Date of Patent:** **** Oct. 16, 2001**

(54) **FOOD PAN**

19179 of 1910 (GB) .
463538 4/1937 (GB) .
2 270 459 3/1994 (GB) .
94/15152 7/1994 (WO) .

(75) Inventor: **Jeffrey T. Zank**, Germantown, WI (US)

(73) Assignee: **The Vollrath Company, L.L.C.**,
Sheboygan, WI (US)

(**) Term: **14 Years**

(21) Appl. No.: **29/130,393**

(22) Filed: **Sep. 29, 2000**

(51) **LOC (7) Cl.** **07-02**

(52) **U.S. Cl.** **D7/354; D9/434**

(58) **Field of Search** D7/354, 360; D9/424,
D9/425, 430, 432, 446, 447, 456; 206/518,
557, 563; 220/573.1, 656, 657, 659, 556,
640, 642, 644

OTHER PUBLICATIONS

“Vollrath Super Pan” Catalog; Form No. 35001; 1986 The Vollrath Company, 4 pages.

“1989 Cambro Catalog”; First Edition; 6 total pages (cover page, pp. 2, 18–21).

“Rubbermain Food Specialists”, F-200 Litho/May 1978; 6 total pages.

“Polarware Food Service” Catalog; Revised May 1988; 4 total pages.

“Carlisle Foodservice Products” Catalog; 3 total pages (cover page, back page and p. 9).

“The Vollrath Catalog”; Form No. 34567; 1997 The Vollrath Company, 64 total pages.

(56) **References Cited**

U.S. PATENT DOCUMENTS

- D. 103,671 3/1937 Connor .
- D. 206,450 12/1966 Lloyd .
- D. 240,714 7/1976 White .
- D. 246,342 * 11/1977 Yonkers D9/425
- D. 268,622 4/1983 Wolters et al. .
- D. 275,500 9/1984 Tyke .
- D. 287,809 * 1/1987 Alexander D7/354
- D. 288,063 * 2/1987 Tyler D9/425
- D. 288,396 2/1987 Ritman .
- D. 291,526 * 8/1987 Heaney et al. D7/354
- D. 305,410 * 1/1990 Tyler D9/425
- D. 333,944 3/1993 Denzin et al. .
- D. 365,501 12/1995 Daugherty et al. .
- D. 417,361 12/1999 Mittmann et al. .
- D. 435,390 * 12/2000 Mittmann D7/354
- 2,644,443 7/1953 Barnsteiner .
- 2,646,762 7/1953 Ingraham et al. .
- 3,112,948 12/1963 Burns .
- 3,179,287 4/1965 Rickmeier, Jr. .

(List continued on next page.)

FOREIGN PATENT DOCUMENTS

93 21 150 7/1996 (DE) .

Primary Examiner—Doris V. Coles

Assistant Examiner—Elizabeth A. Albert

(74) *Attorney, Agent, or Firm*—Foley & Lardner

(57) **CLAIM**

We claim the ornamental design for a food pan, as shown and described.

DESCRIPTION

FIG. 1 is a top perspective view of a food pan illustrating my design;

FIG. 2 is a top plan view thereof;

FIG. 3 is a front side elevational view thereof;

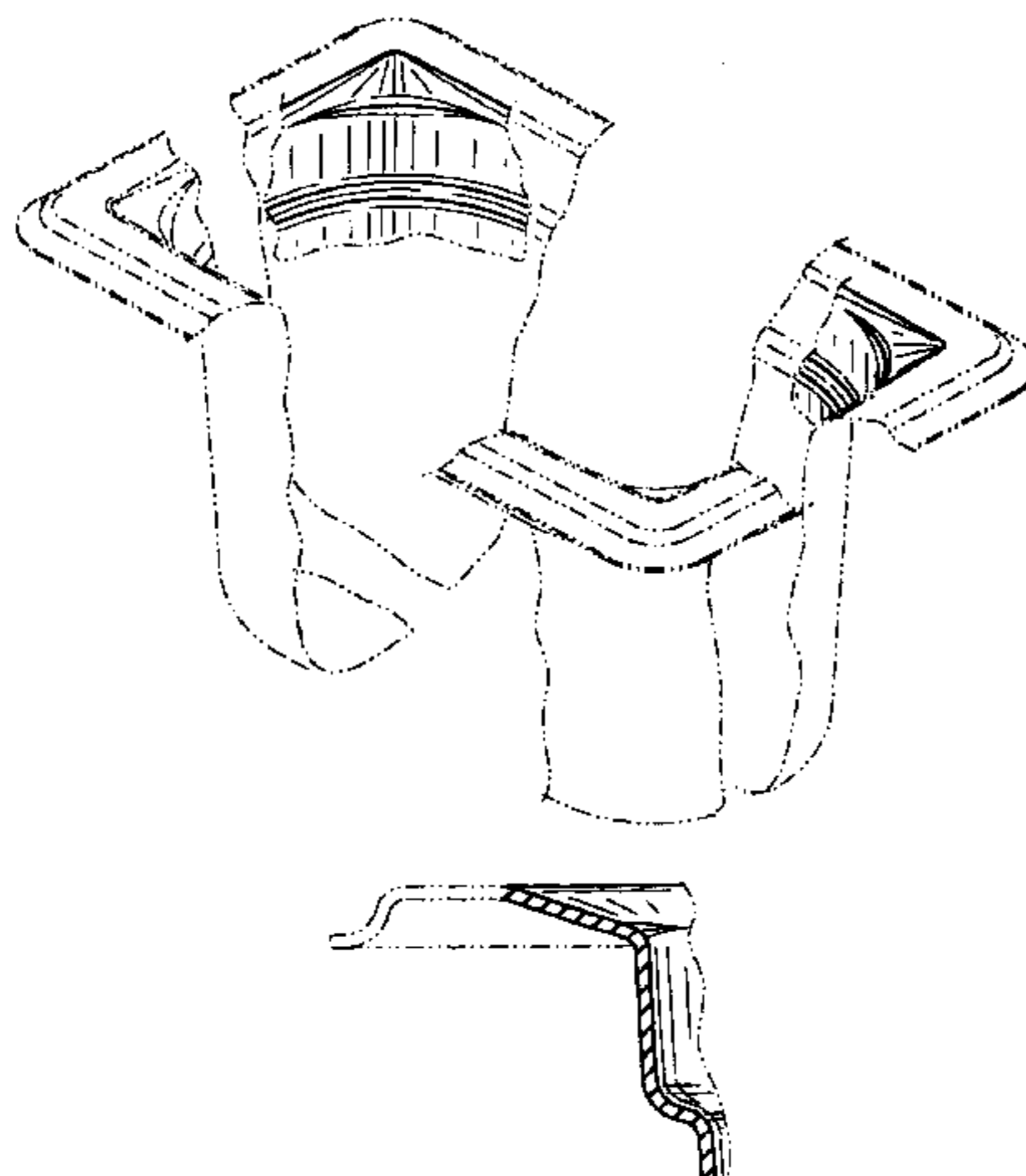
FIG. 4 is a right elevational view thereof;

FIG. 5 is a bottom plan view thereof; and,

FIG. 6 is a sectional view thereof taken along lines 6—6 of FIG. 2.

The ornamental design which is claimed is shown in solid lines in the drawings. The broken lines in the drawings are for illustrative purposes only and form no part of the claimed design.

1 Claim, 3 Drawing Sheets



US D449,205 S

Page 2

U.S. PATENT DOCUMENTS

| | | | | | |
|-------------|---------|----------------------------|-----------|---------|--------------------|
| 3,581,970 | 6/1971 | Colato . | 5,029,721 | 7/1991 | Timpe . |
| 4,113,095 | 9/1978 | Dietz et al. . | 5,131,708 | 7/1992 | Denzin . |
| 4,204,609 | 5/1980 | Kuhn . | 5,279,443 | 1/1994 | Koda et al. . |
| 4,298,156 | 11/1981 | Reifers et al. . | 5,392,948 | 2/1995 | McEntee . |
| 4,616,762 | 10/1986 | Alexander . | 5,511,467 | 4/1996 | Motley et al. . |
| 4,660,734 * | 4/1987 | Heaney et al. 206/518 | 5,626,256 | 5/1997 | Onneweer . |
| 4,828,112 | 5/1989 | Vollrath et al. . | 5,628,427 | 5/1997 | Hayes . |
| 4,967,908 | 11/1990 | Kessler . | 5,676,276 | 10/1997 | Zielinski et al. . |
| 4,969,569 | 11/1990 | Anders . | 5,769,261 | 6/1998 | Gaffney et al. . |
| 4,971,216 | 11/1990 | Fortune . | 5,878,656 | 3/1999 | Fletcher et al. . |
| 5,018,623 | 5/1991 | Hrenyo . | | | |

* cited by examiner

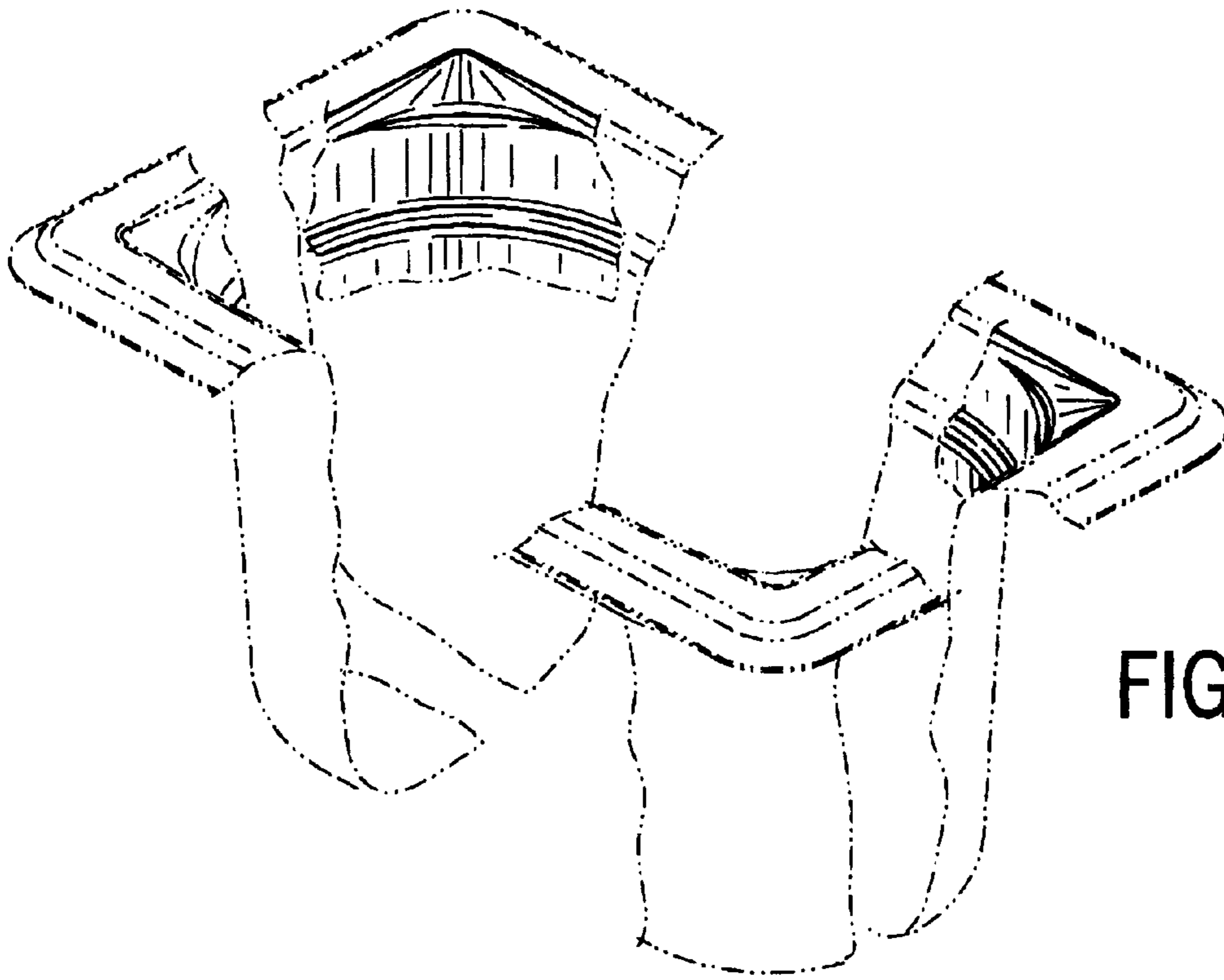


FIG. 1

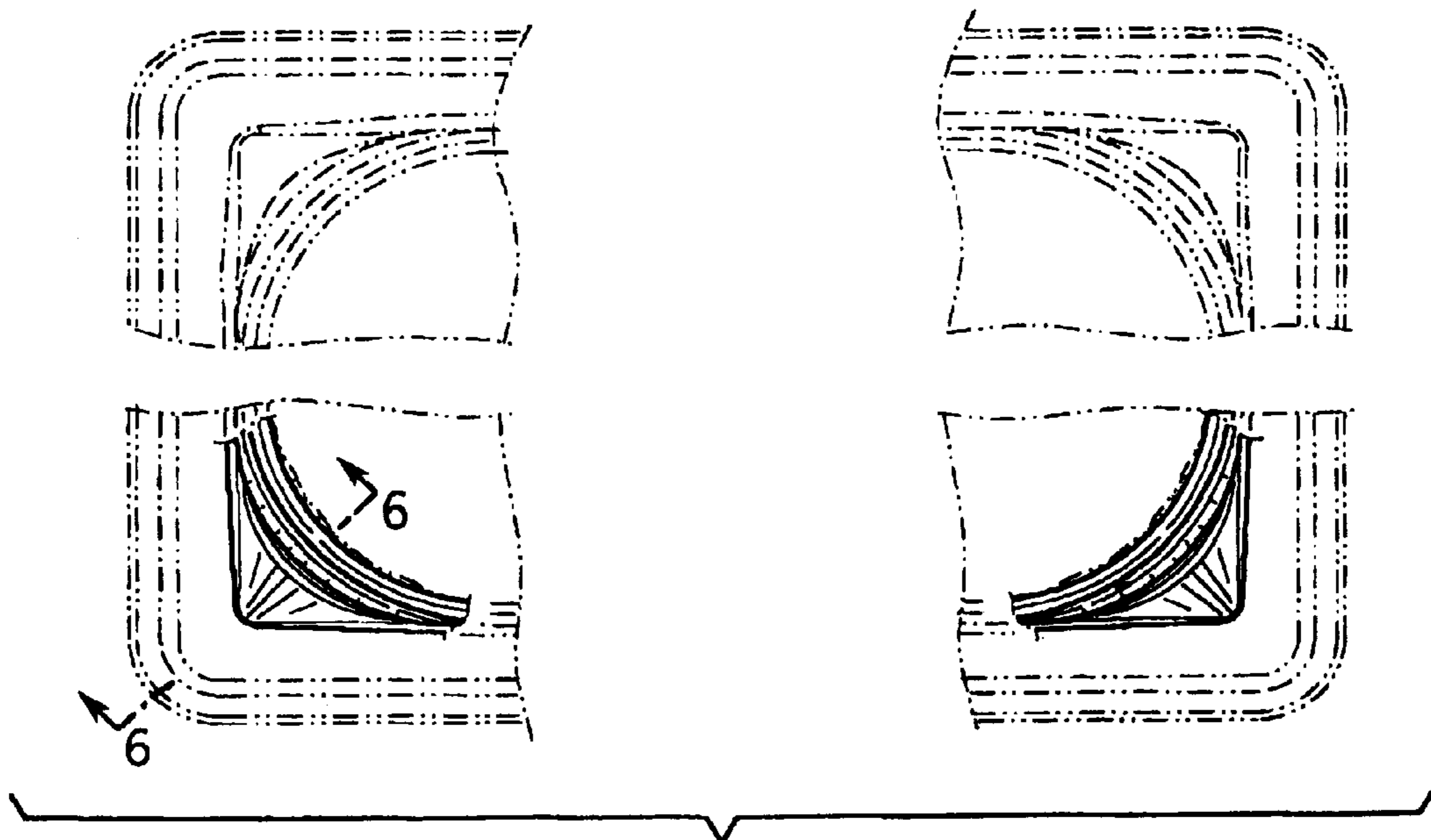


FIG. 2

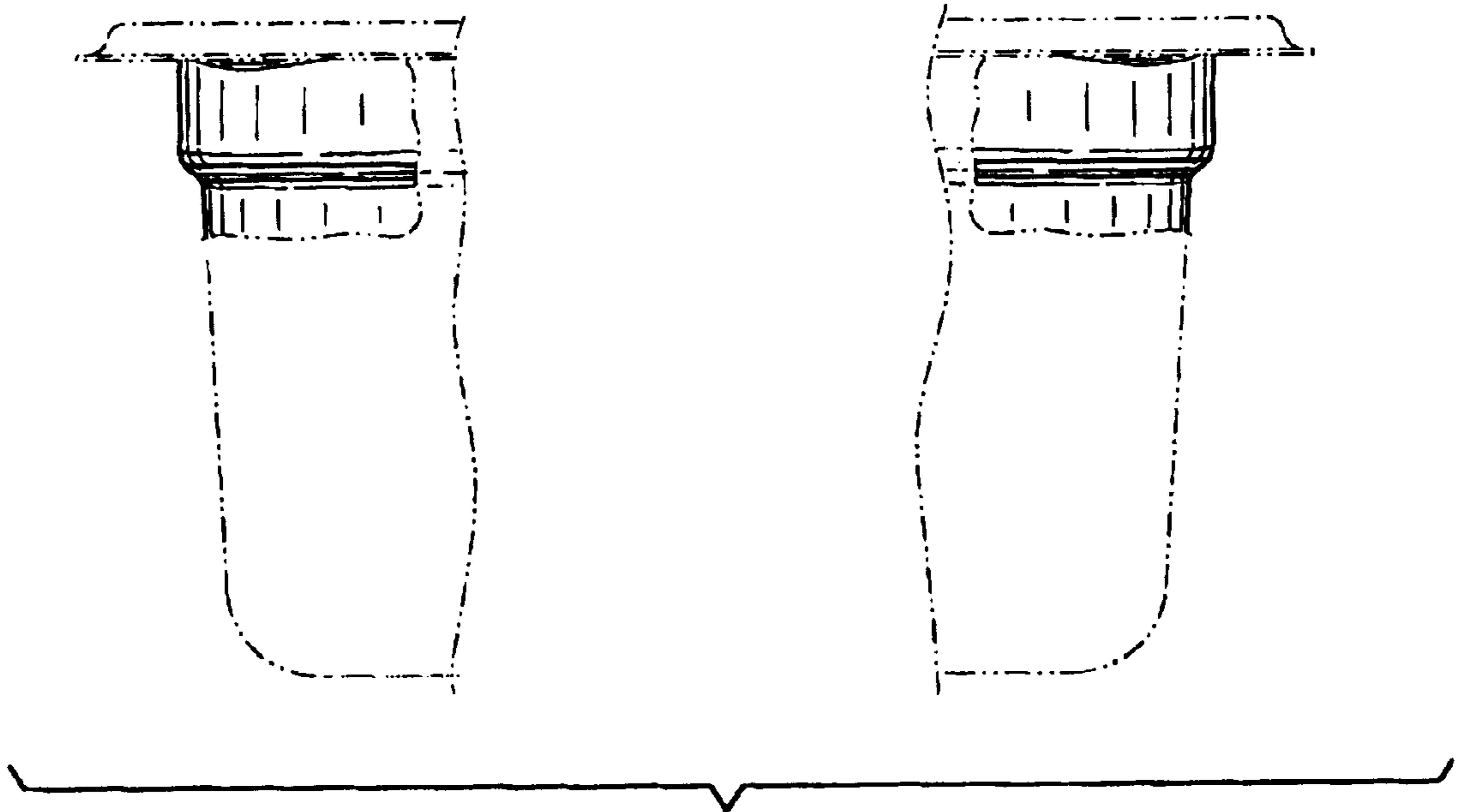


FIG. 3

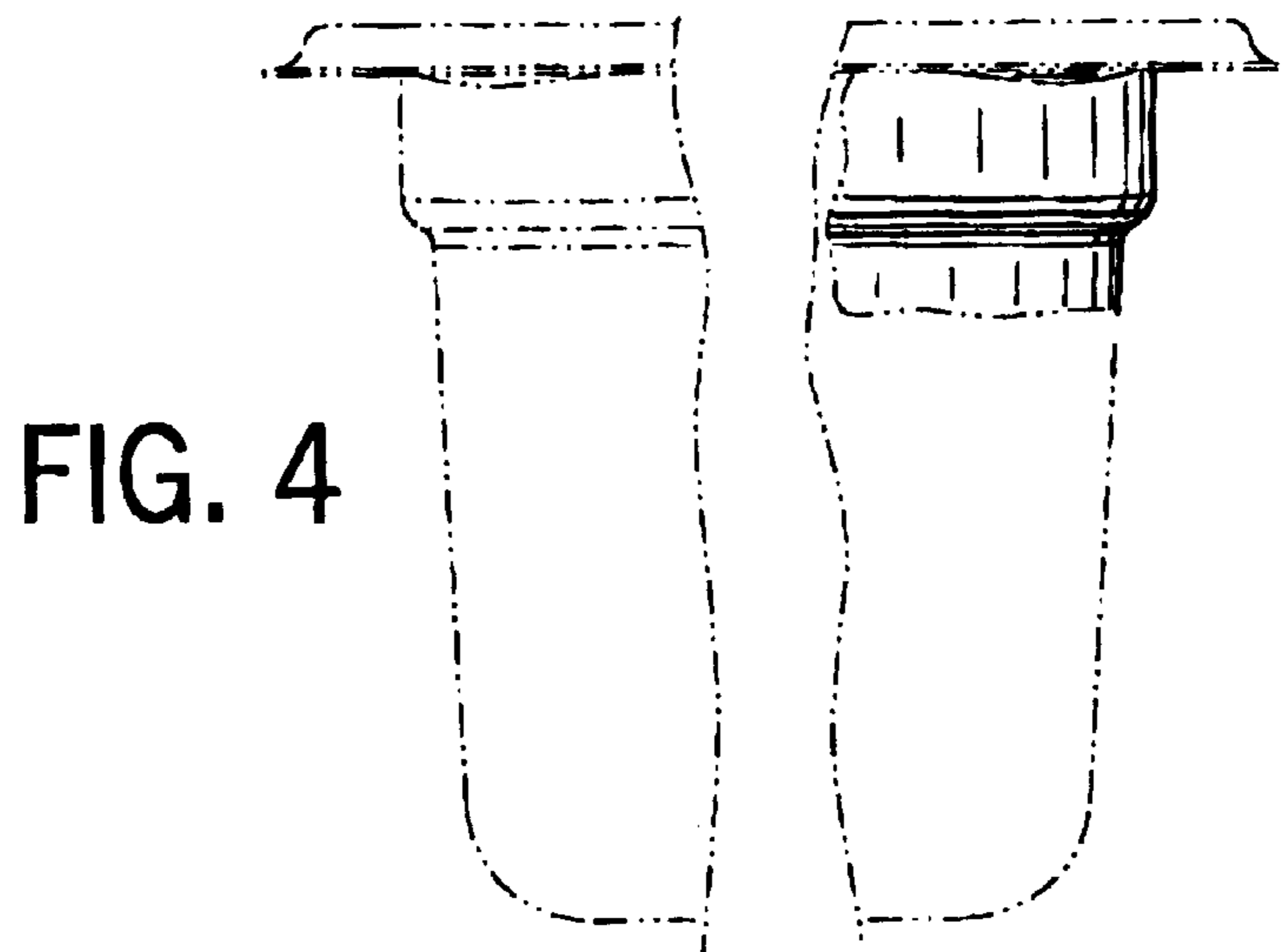


FIG. 4

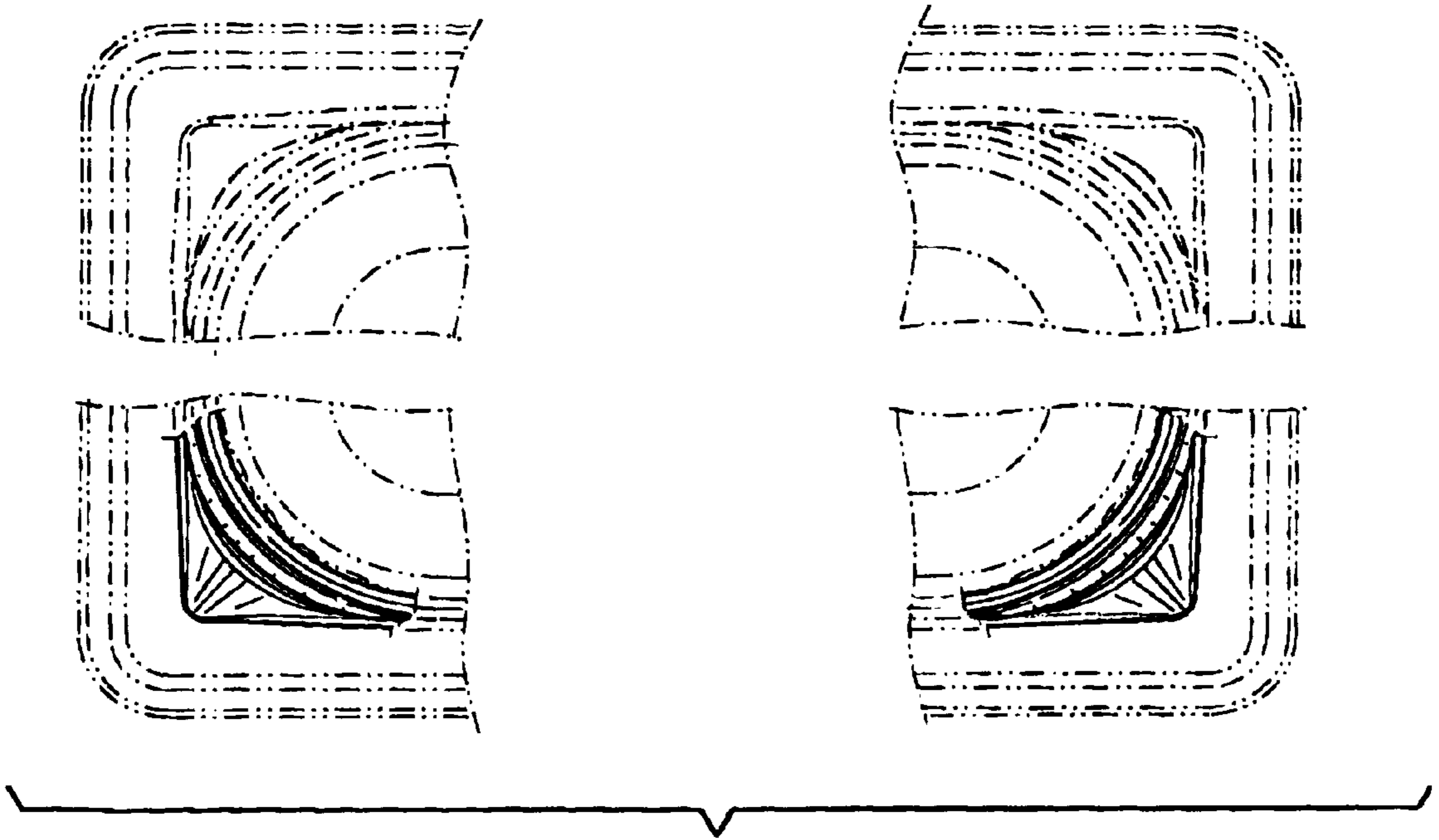


FIG. 5

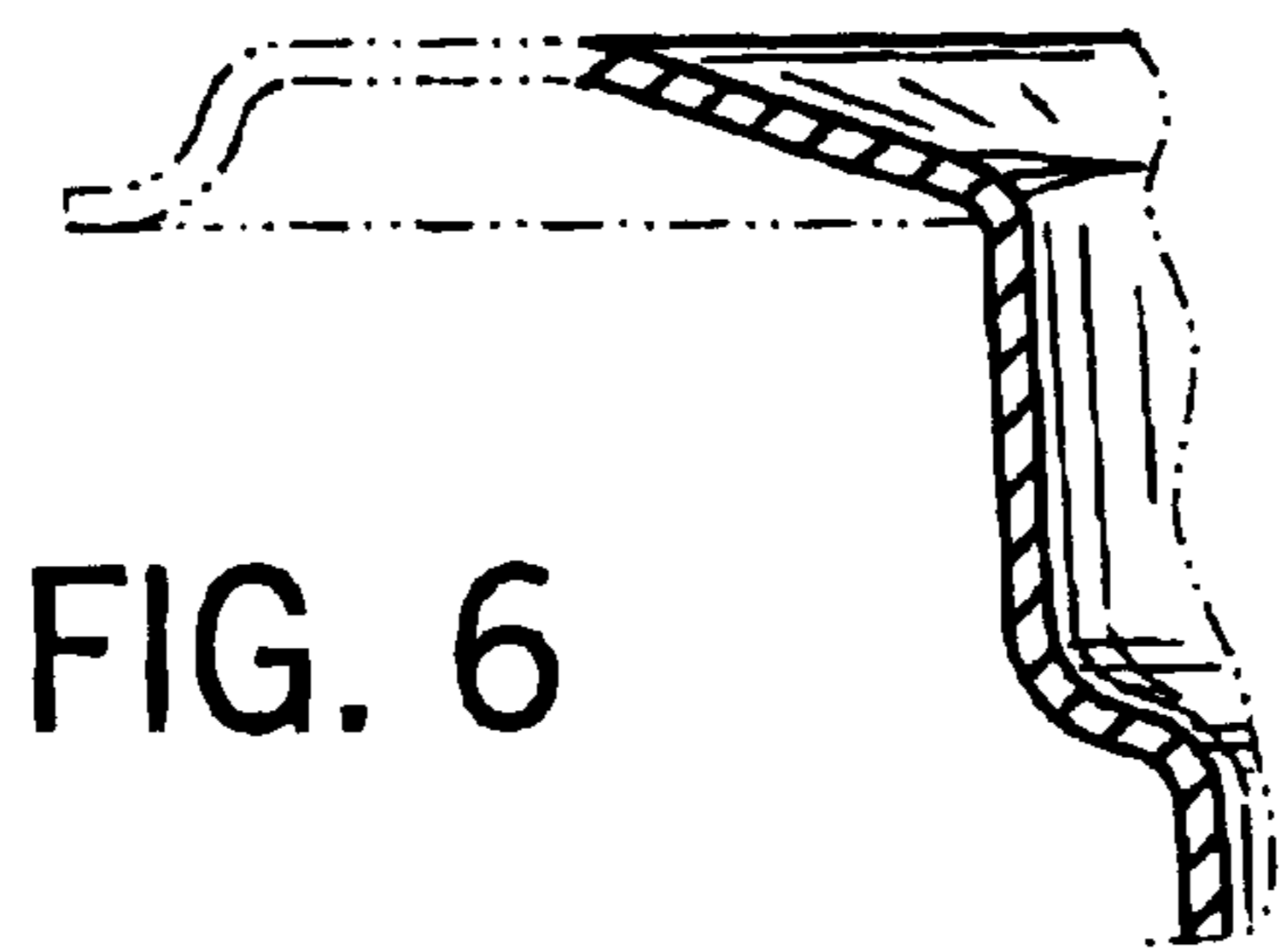


FIG. 6