



US00D449204B1

(12) **United States Design Patent**  
**Groll**

(10) **Patent No.:** **US D449,204 S**

(45) **Date of Patent:** **\*\* Oct. 16, 2001**

(54) **COOKING VESSEL**

(75) Inventor: **William A. Groll**, McMurray, PA (US)

(73) Assignee: **Clad Metals LLC**, Canonsburg, PA (US)

(\*\*) Term: **14 Years**

(21) Appl. No.: **29/116,068**

(22) Filed: **Dec. 23, 1999**

(51) **LOC (7) Cl.** ..... **07-02**

(52) **U.S. Cl.** ..... **D7/354**

(58) **Field of Search** ..... D7/323, 354-361;  
99/324, 325, 339, 425, 426, 445; 220/573.1,  
574

(56) **References Cited**

**U.S. PATENT DOCUMENTS**

D. 132,280	*	5/1942	Miller	.....	D7/560
D. 263,193	*	3/1982	Sano	.....	D7/360
D. 269,399	*	6/1983	Lam	.....	D7/361
D. 359,878	*	7/1995	Chen	.....	D7/354
D. 375,433	*	11/1996	Jorgensen	.....	D7/354
D. 382,767	*	8/1997	Lien	.....	D7/360
D. 414,375	*	9/1999	Diulus	.....	D7/354
3,922,458	*	11/1975	Lynch	.....	428/210
5,004,121	*	4/1991	Howe	.....	220/573.1

\* cited by examiner

*Primary Examiner*—Caron D. Veynar

(74) *Attorney, Agent, or Firm*—Webb Ziesenheim Logsdon Orkin & Hanson, P.C.

(57) **CLAIM**

The ornamental design for a cooking vessel, as shown and described.

**DESCRIPTION**

FIG. 1 is a perspective view of a cooking vessel bearing the design of the present invention;

FIG. 2 is a side view of the cooking vessel of FIG. 1;

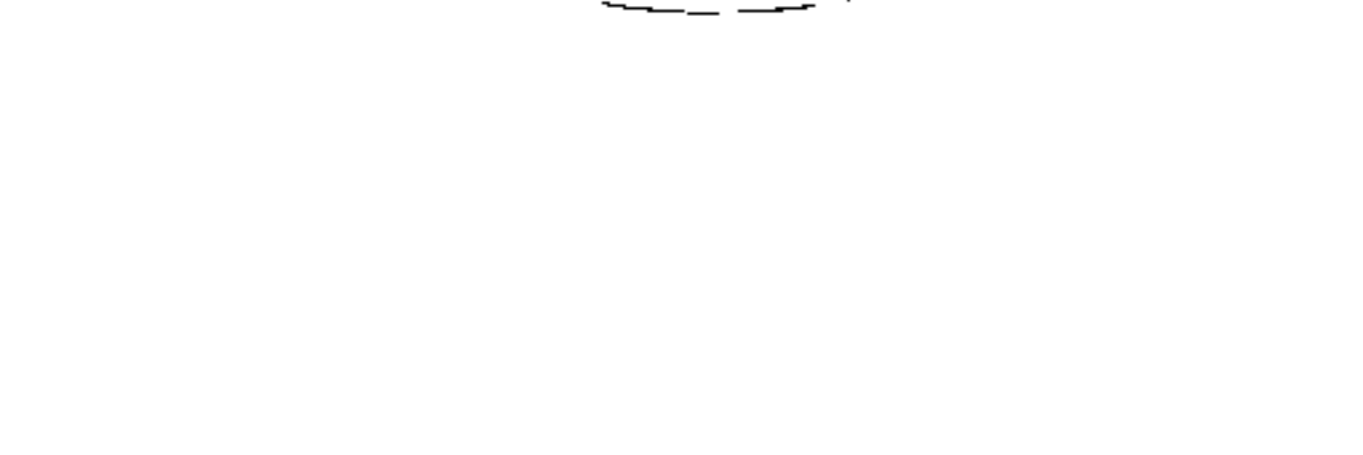
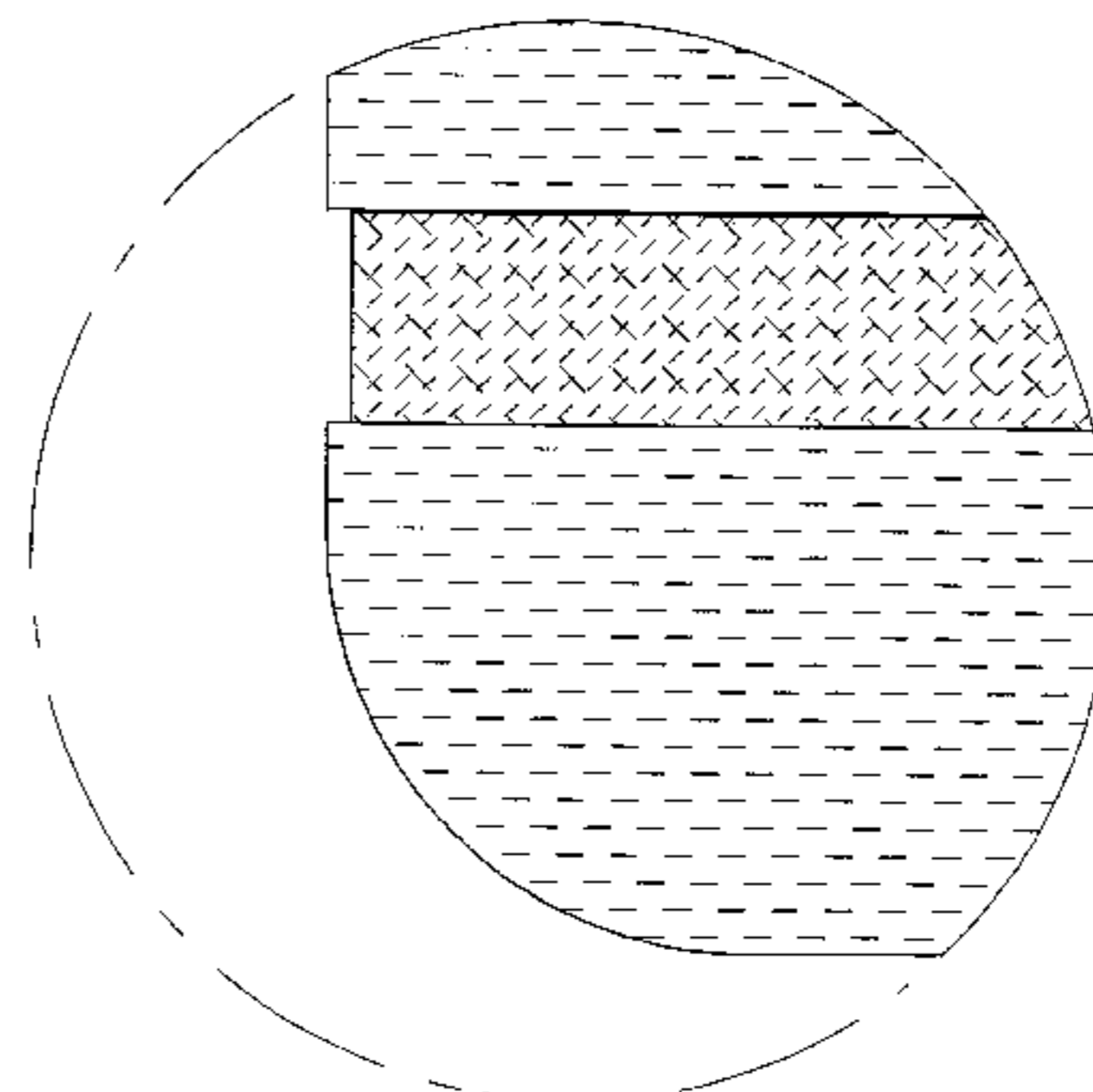
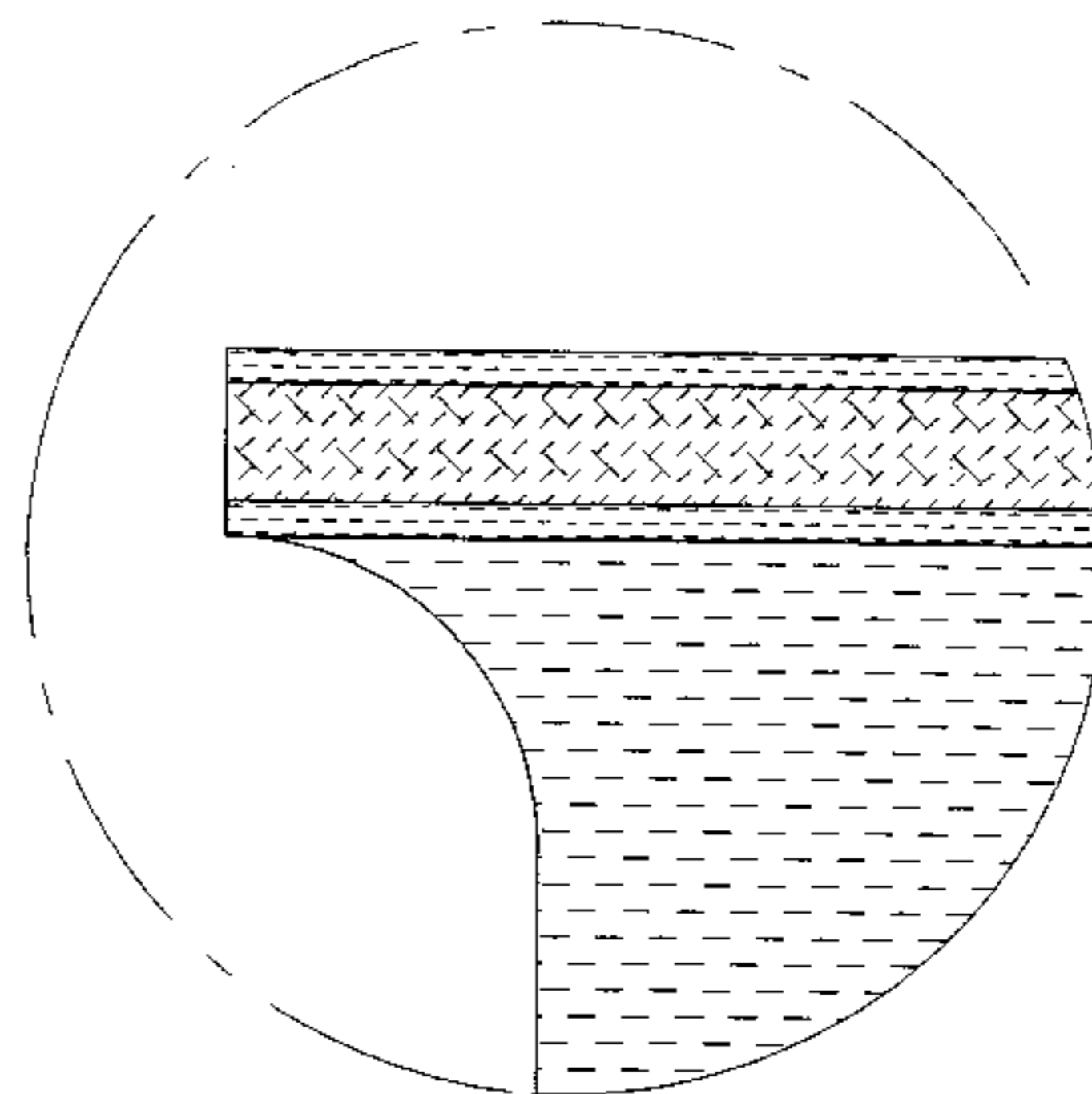
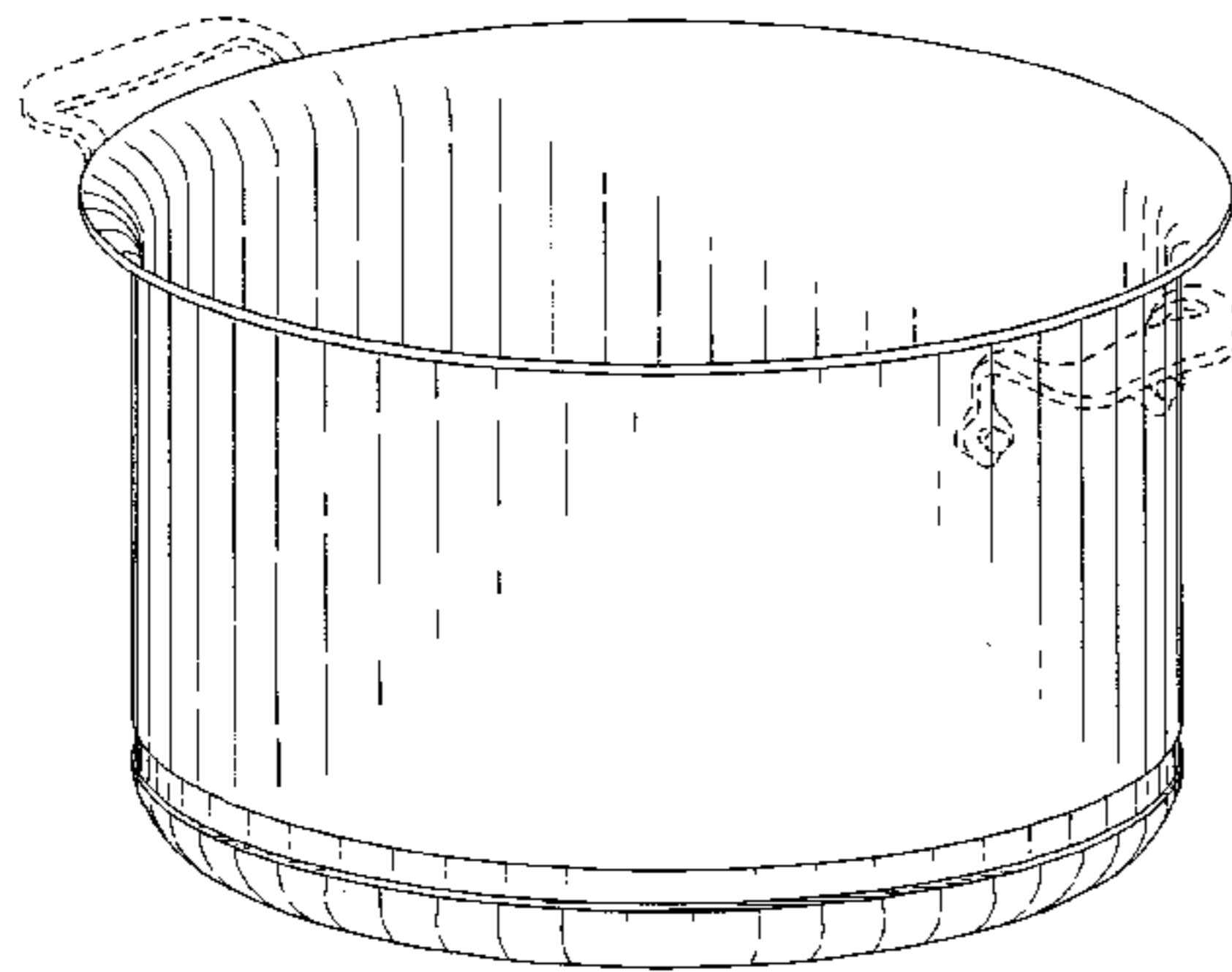
FIG. 3 is a greatly enlarged view of a top edge of the cooking vessel of FIG. 2, lined for color to show the contrasting silver and golden copper color of the present design; and,

FIG. 4 is an enlarged view of a band formed at the lower portion of the cooking vessel of FIG. 2, lined for color to show the contrasting silver and golden copper colors of the present design.

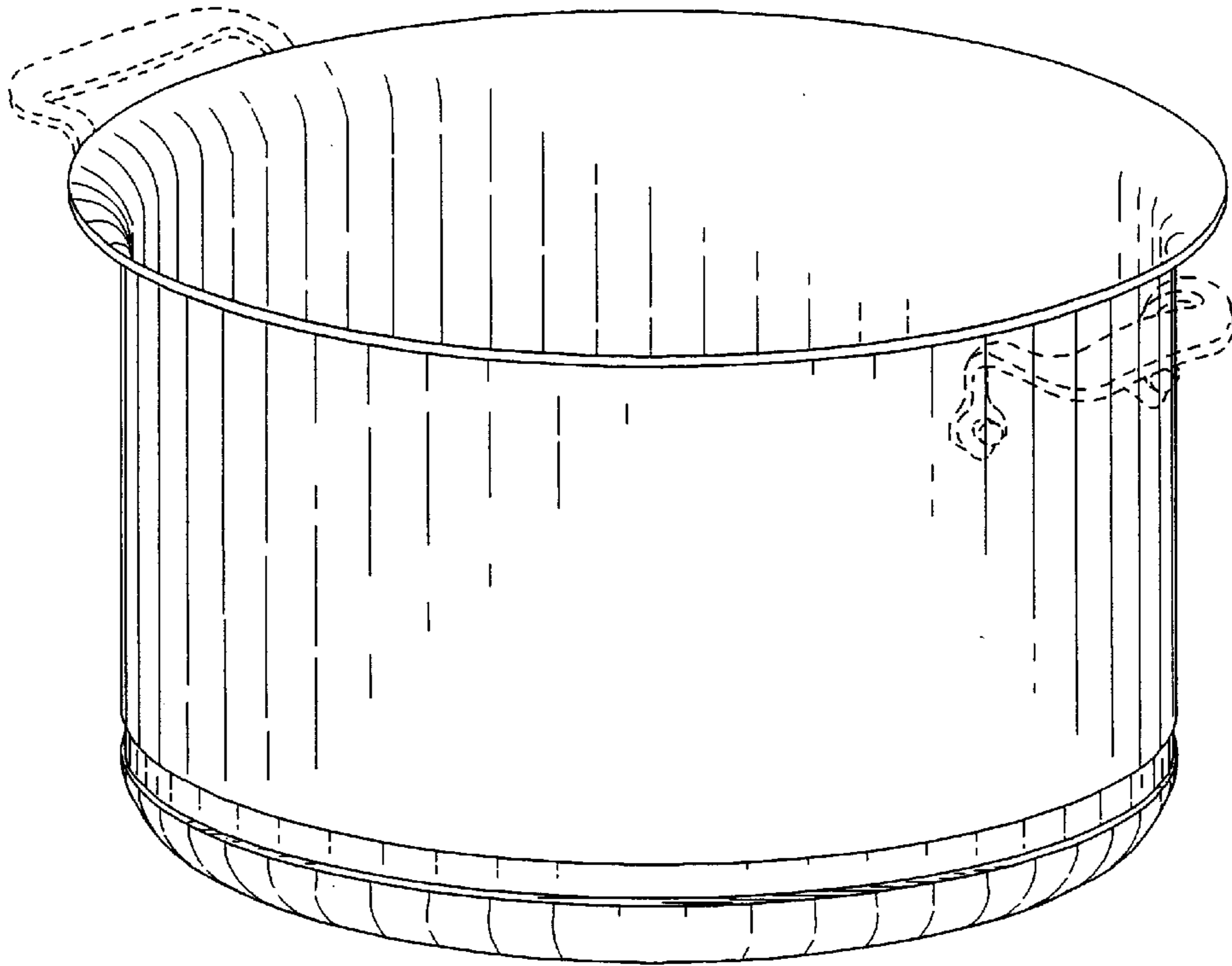
The broken line showing of handles in FIGS. 1 and 2 are for illustrative purposes only and form no part of the claimed design.

As shown in the appended drawings, the ornamental design of my invention is directed to a cooking vessel such as a pot or pan, having a distinctive golden copper ring extending around the top edge thereof, and at least one indented golden copper colored band formed around the outer periphery on a lower portion of the vessel and wherein the entire outer vessel surface is a contrasting bright silver color, as shown in FIGS. 3 and 4 of the drawings. It is understood that both golden copper colored bands shown in FIGS. 3 and 4 extend around the circumference of the vessel. FIGS. 1 and 2 are not lined to shown the contrasting colors for clarity and ease of illustration.

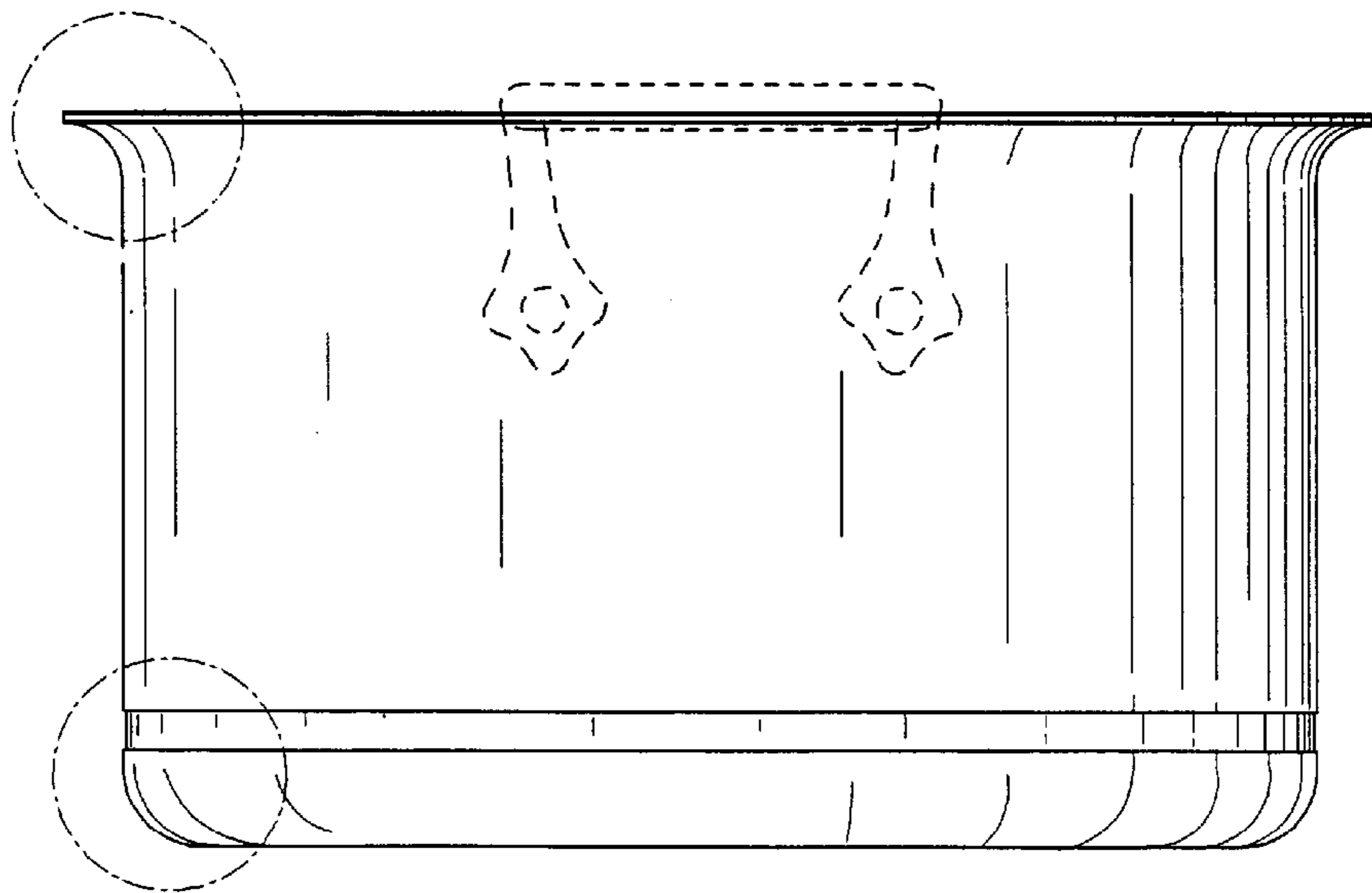
**1 Claim, 2 Drawing Sheets**



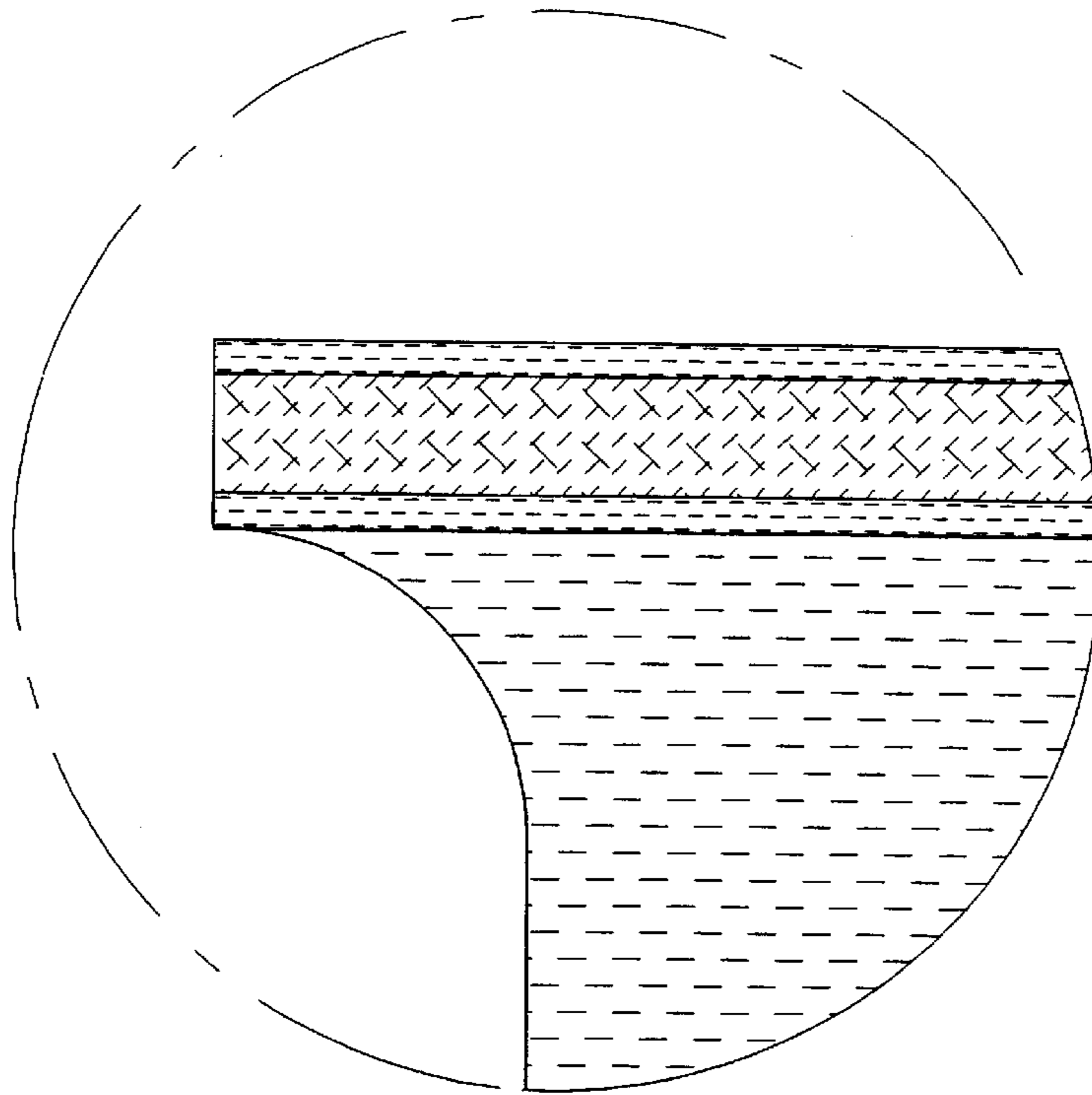
*Fig.1.*



*Fig.2.*



*Fig. 3.*



*Fig. 4.*

