



US00D449202B1

(12) **United States Design Patent**
Schmidt

(10) **Patent No.:** **US D449,202 S**

(45) **Date of Patent:** **** Oct. 16, 2001**

(54) **RINGING KETTLE**

(75) Inventor: **George Schmidt**, Douglaston, NY (US)

(73) Assignee: **M. Kamenstein, Inc.**, Elmsford, NY (US)

(**) Term: **14 Years**

(21) Appl. No.: **29/135,469**

(22) Filed: **Jan. 12, 2001**

(51) **LOC (7) Cl.** **07-01**

(52) **U.S. Cl.** **D7/322; D7/321; D7/312**

(58) **Field of Search** **D7/312, 313, 321, D7/322, 300; 219/437; 222/465.1, 543, 472, 469**

(56) **References Cited**

U.S. PATENT DOCUMENTS

D. 171,202	*	12/1953	Graham et al.	D7/321
D. 308,796	*	6/1990	Thurlow et al.	D7/322
D. 333,587		3/1993	Ancona et al. .	
D. 337,233		7/1993	Prindle .	
D. 337,687		7/1993	Ancona et al. .	
D. 338,589		8/1993	Ancona et al. .	
D. 340,830		11/1993	Ancona et al. .	
D. 343,328		1/1994	Ancona et al. .	

D. 347,139		5/1994	Ancona et al. .	
D. 360,101	*	7/1995	Lee	D7/322
D. 419,028	*	1/2000	Mork et al.	D7/321
D. 428,758	*	8/2000	Santiago et al.	D7/322
4,813,368		3/1989	Hutter, III et al. .	
5,950,862		9/1999	Haas et al. .	
6,102,240		8/2000	Haas et al. .	

* cited by examiner

Primary Examiner—M. N. Pandozzi

(74) *Attorney, Agent, or Firm*—Robert A. Koons, Jr.; Matthew P. McWilliams; Pepper Hamilton LLP

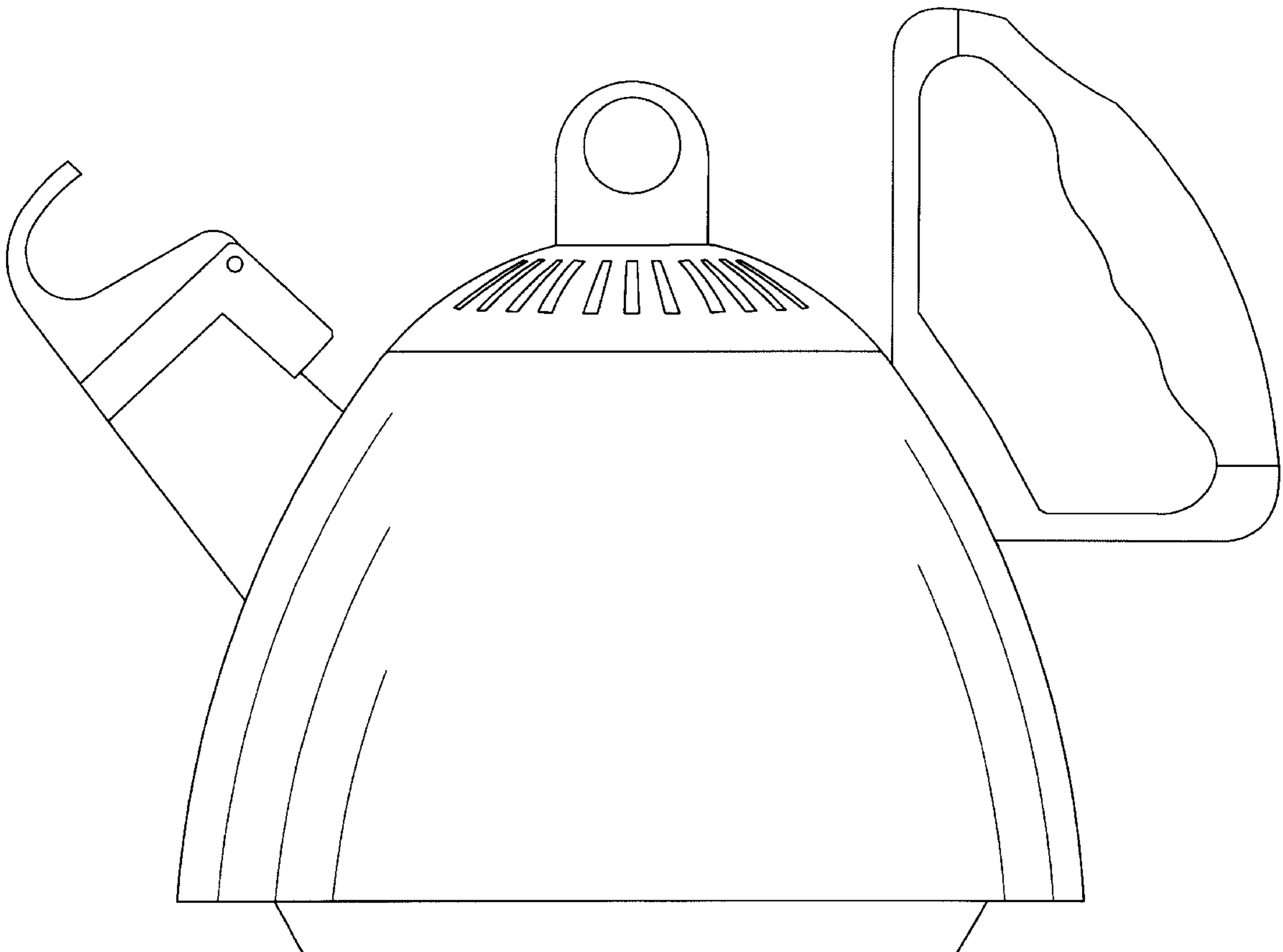
(57) **CLAIM**

The ornamental design for a ringing kettle, as shown and described.

DESCRIPTION

FIG. 1 is a perspective view of a ringing kettle showing my new design;
 FIG. 2 is a front elevational view of the ringing kettle;
 FIG. 3 is a rear elevational view of the ringing kettle;
 FIG. 4 is a top plan view of the ringing kettle;
 FIG. 5 is a right side elevational view of the ringing kettle;
 FIG. 6 is a left side elevational view of the ringing kettle;
 and,
 FIG. 7 is a bottom plan view of the ringing kettle.

1 Claim, 7 Drawing Sheets



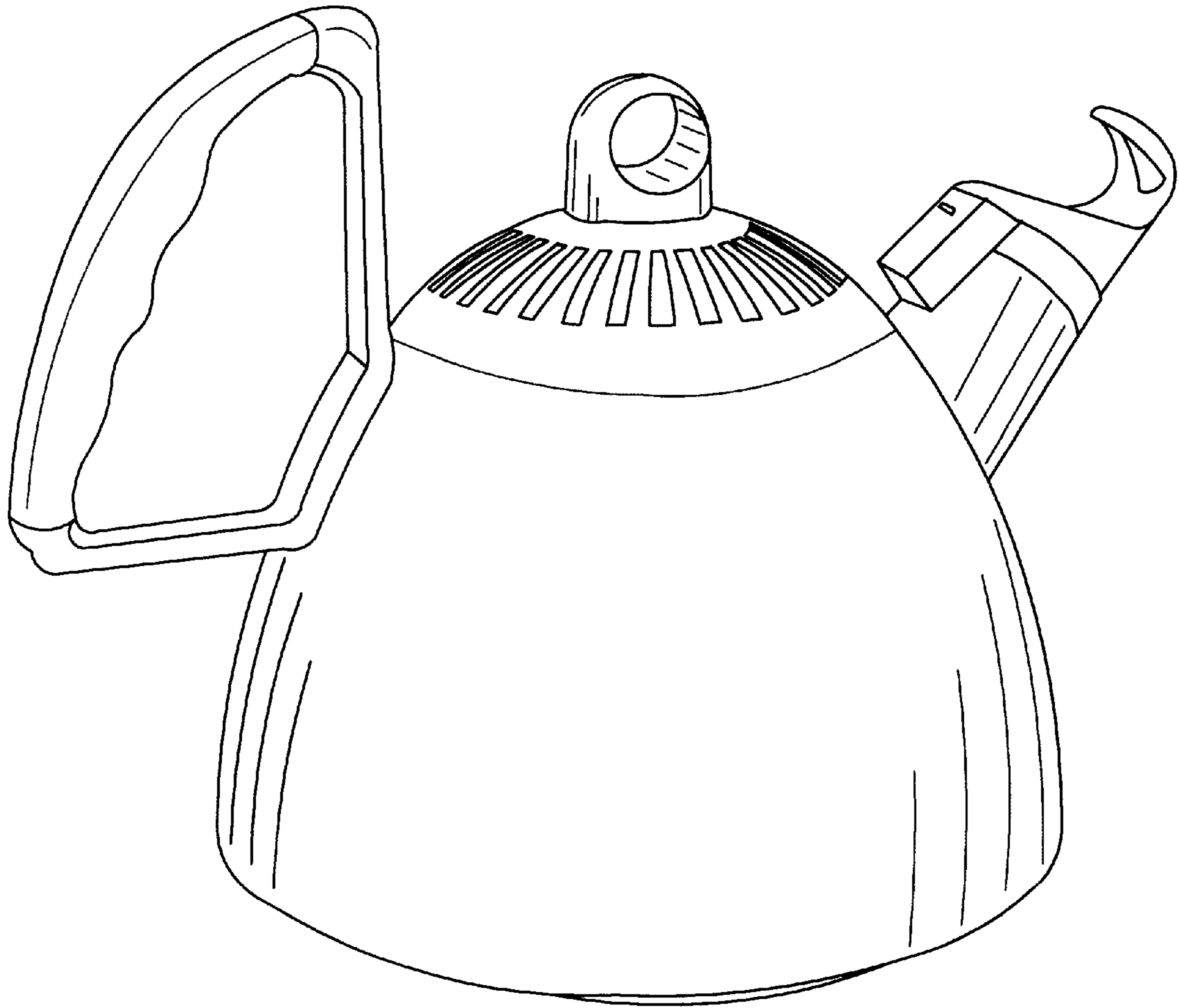


Fig. 1

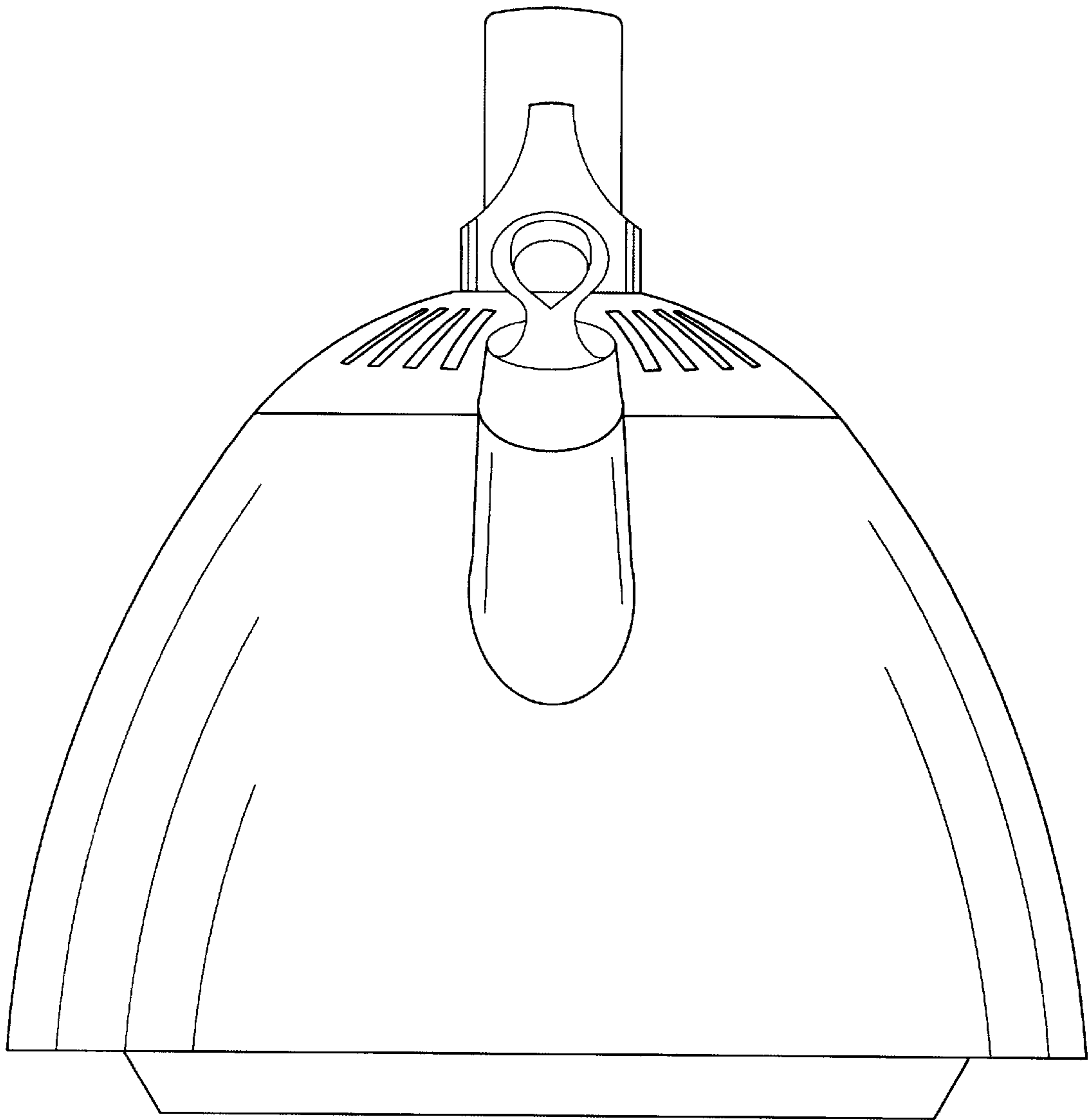


Fig. 2

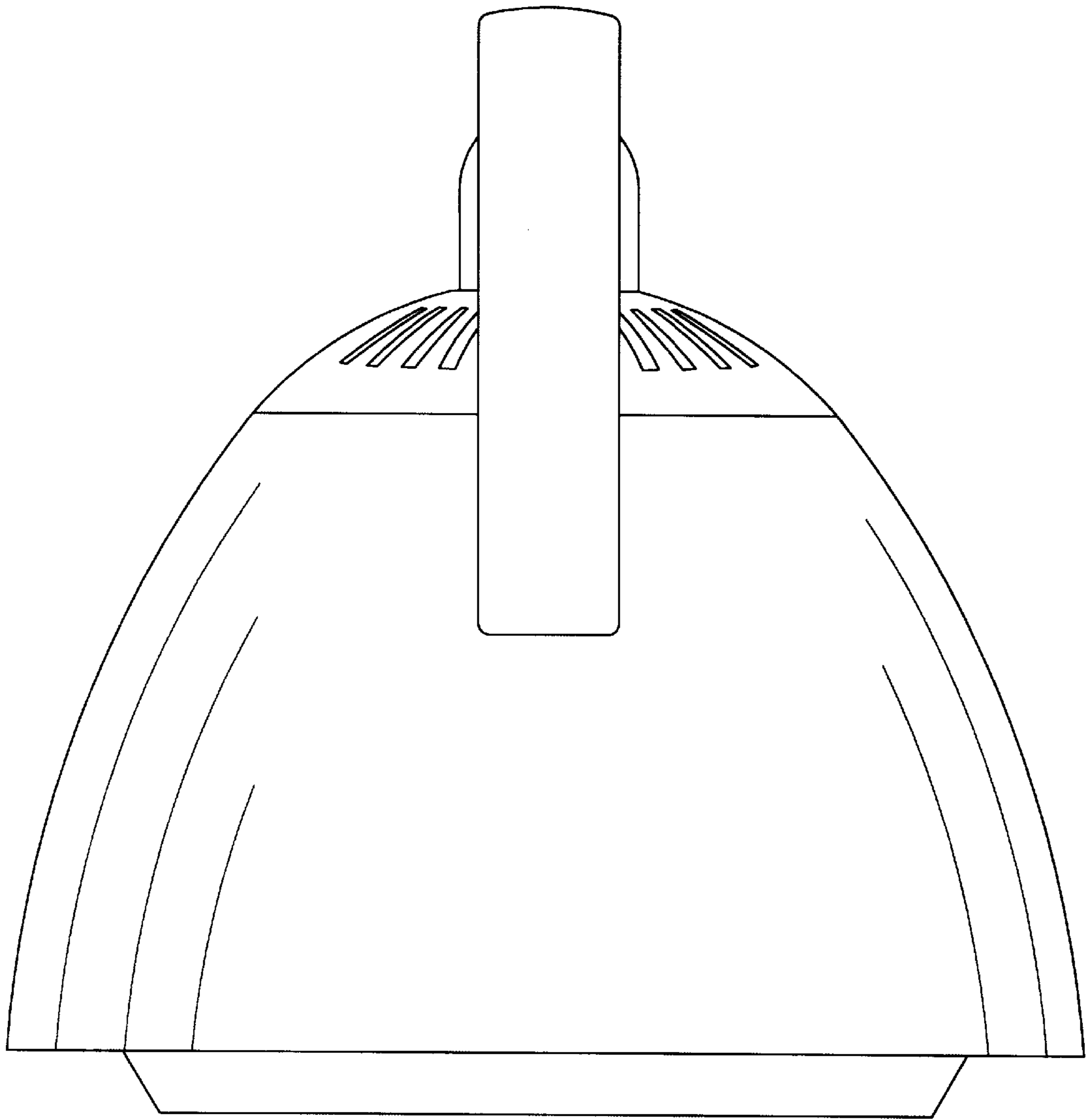


Fig. 3

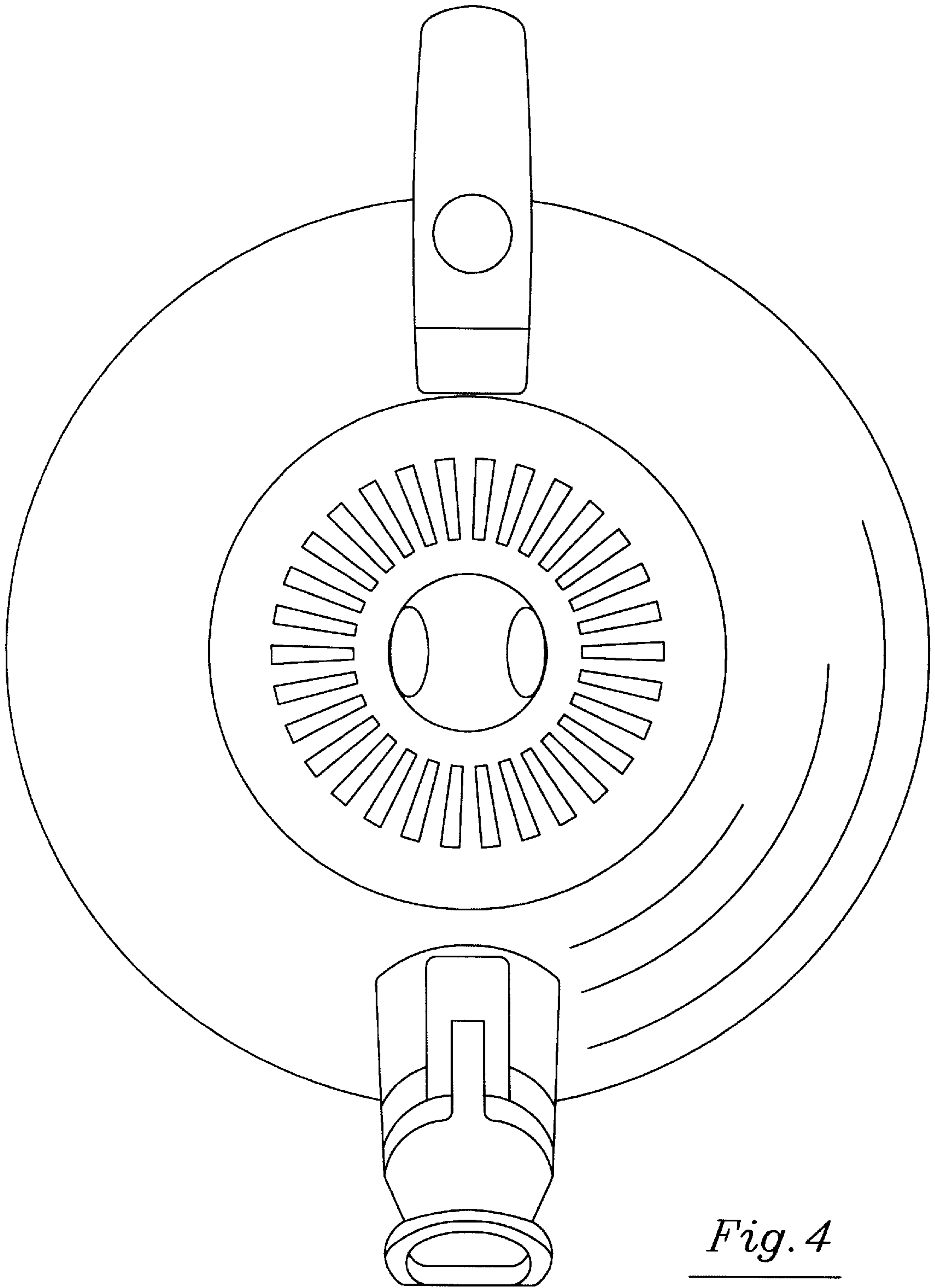


Fig. 4

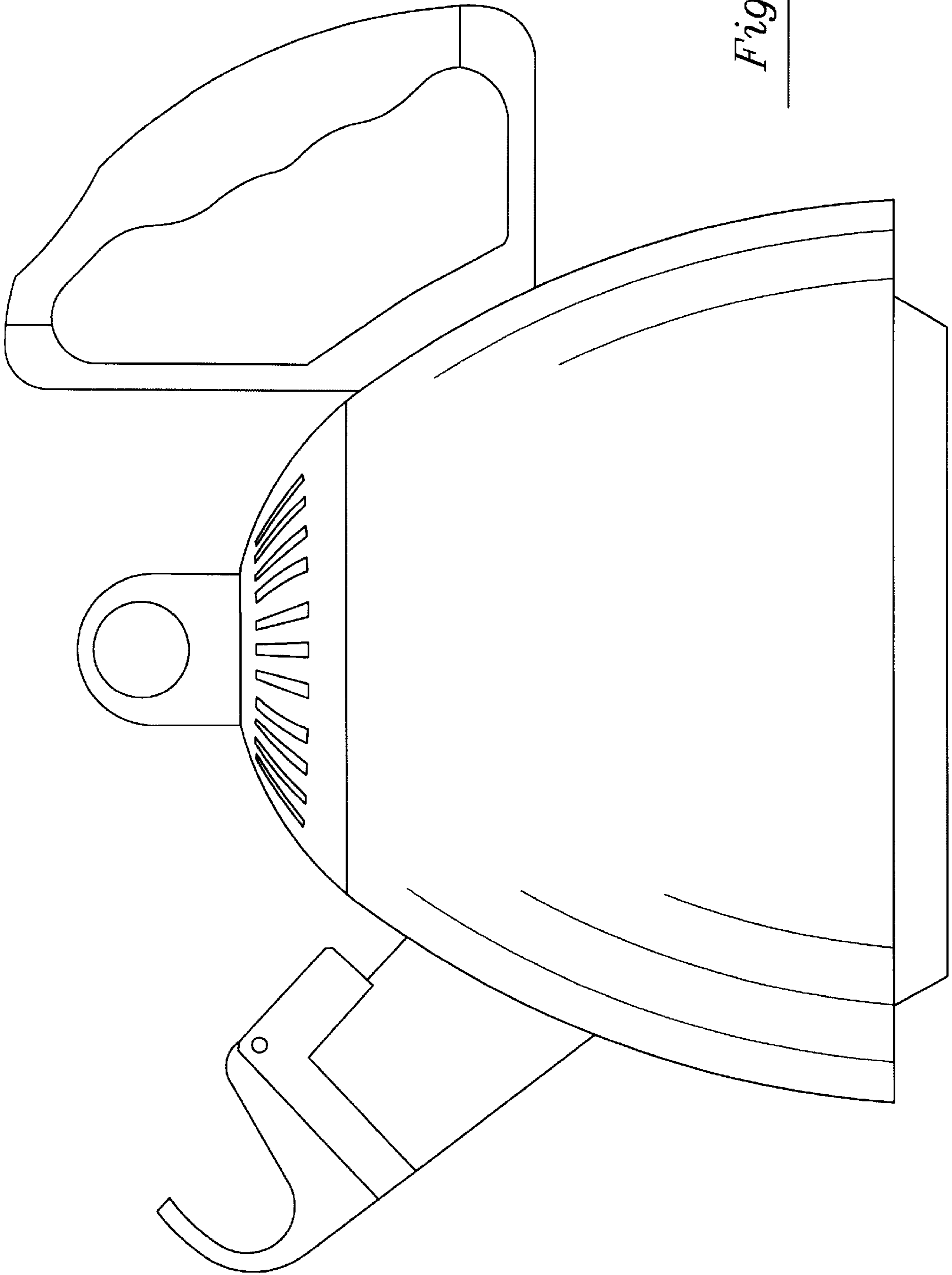


Fig. 5

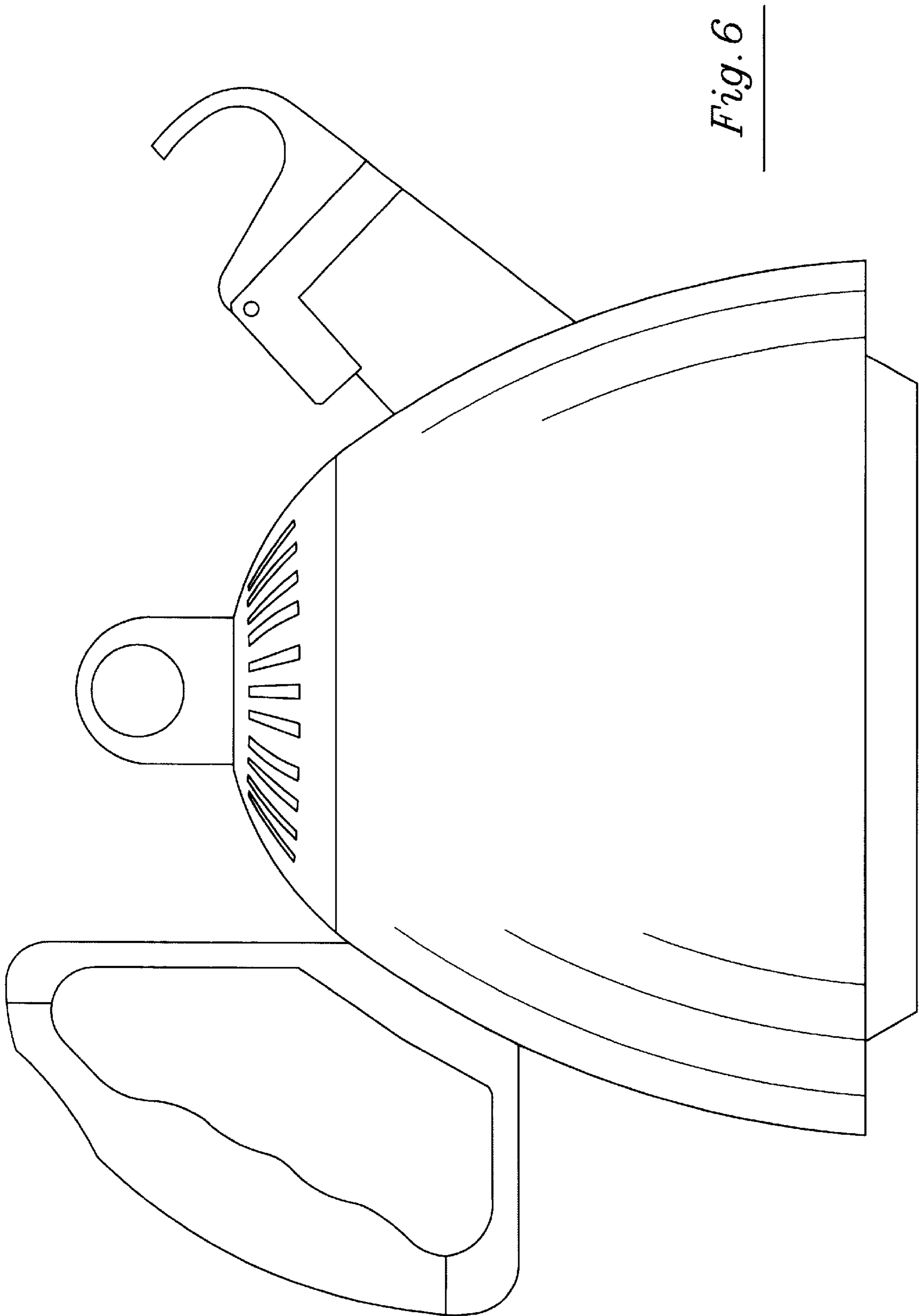


Fig. 6

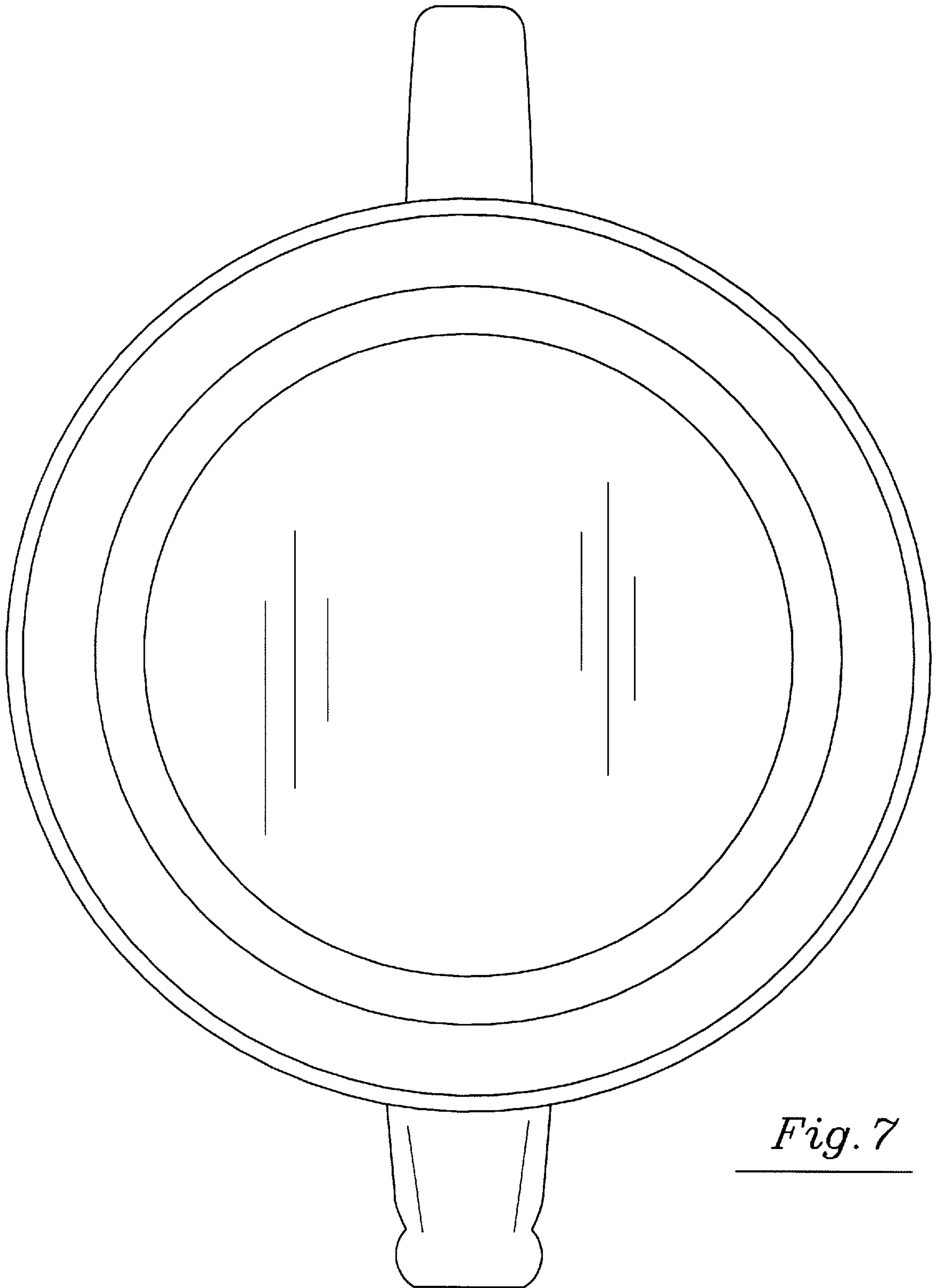


Fig. 7