



US00D449201B1

(12) **United States Design Patent**
Jorgensen

(10) **Patent No.:** **US D449,201 S**

(45) **Date of Patent:** **** Oct. 16, 2001**

(54) **WATER KETTLE**

(75) Inventor: **Carsten Jorgensen, St. Niklausen (CH)**

(73) Assignee: **PI-Design AG, Triengen (CH)**

(**) Term: **14 Years**

(21) Appl. No.: **29/132,260**

(22) Filed: **Nov. 7, 2000**

(30) **Foreign Application Priority Data**

May 10, 2000 (DK) MA 2000 00522

(51) **LOC (7) Cl.** **07-01**

(52) **U.S. Cl.** **D7/318; D7/322**

(58) **Field of Search** D7/312, 313, 316,
D7/317, 318, 319, 322; 99/279, 306; 210/466;
222/465.1, 556, 472; D23/212; 126/386.1;
294/31.2

(56) **References Cited**

U.S. PATENT DOCUMENTS

- D. 219,164 * 11/1970 Gropius D7/317
- D. 229,919 * 1/1974 Schmitt D7/318
- D. 266,690 * 10/1982 Levin D23/212

- D. 373,499 * 9/1996 Piret D7/312
- D. 381,859 * 8/1997 Joergensen D7/322
- D. 436,791 * 1/2001 Huang D7/319
- 2,909,172 * 10/1959 Caniglia 126/386.1
- 3,105,714 * 10/1963 Kimber 294/31.2
- 5,490,616 * 2/1996 Stowell et al. 222/472

* cited by examiner

Primary Examiner—M. N. Pandozzi

(74) *Attorney, Agent, or Firm*—Nath & Associates PLLC;
Gary M. Nath; Marvin C. Berkowitz

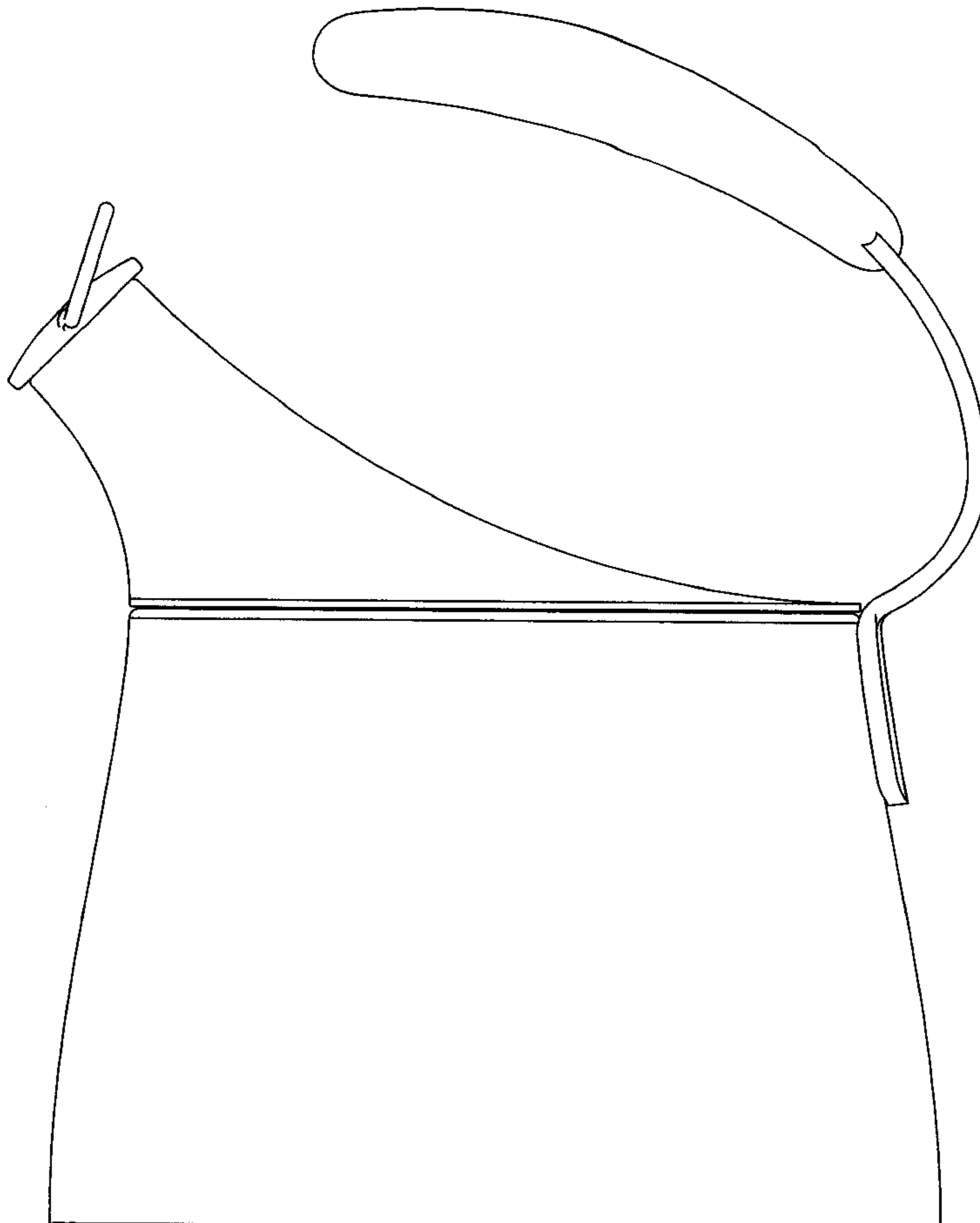
(57) **CLAIM**

The ornamental design for a water kettle, as shown and described.

DESCRIPTION

FIG. 1 is an oblique perspective view of the water kettle;
 FIG. 2 is a right side view of the water kettle, as shown in FIG. 1;
 FIG. 3 is a left side view of the water kettle;
 FIG. 4 is a front side view of the water kettle;
 FIG. 5 is a back side view of the water kettle;
 FIG. 6 is a top view of the water kettle; and,
 FIG. 7 is a bottom view of the water kettle.

1 Claim, 7 Drawing Sheets



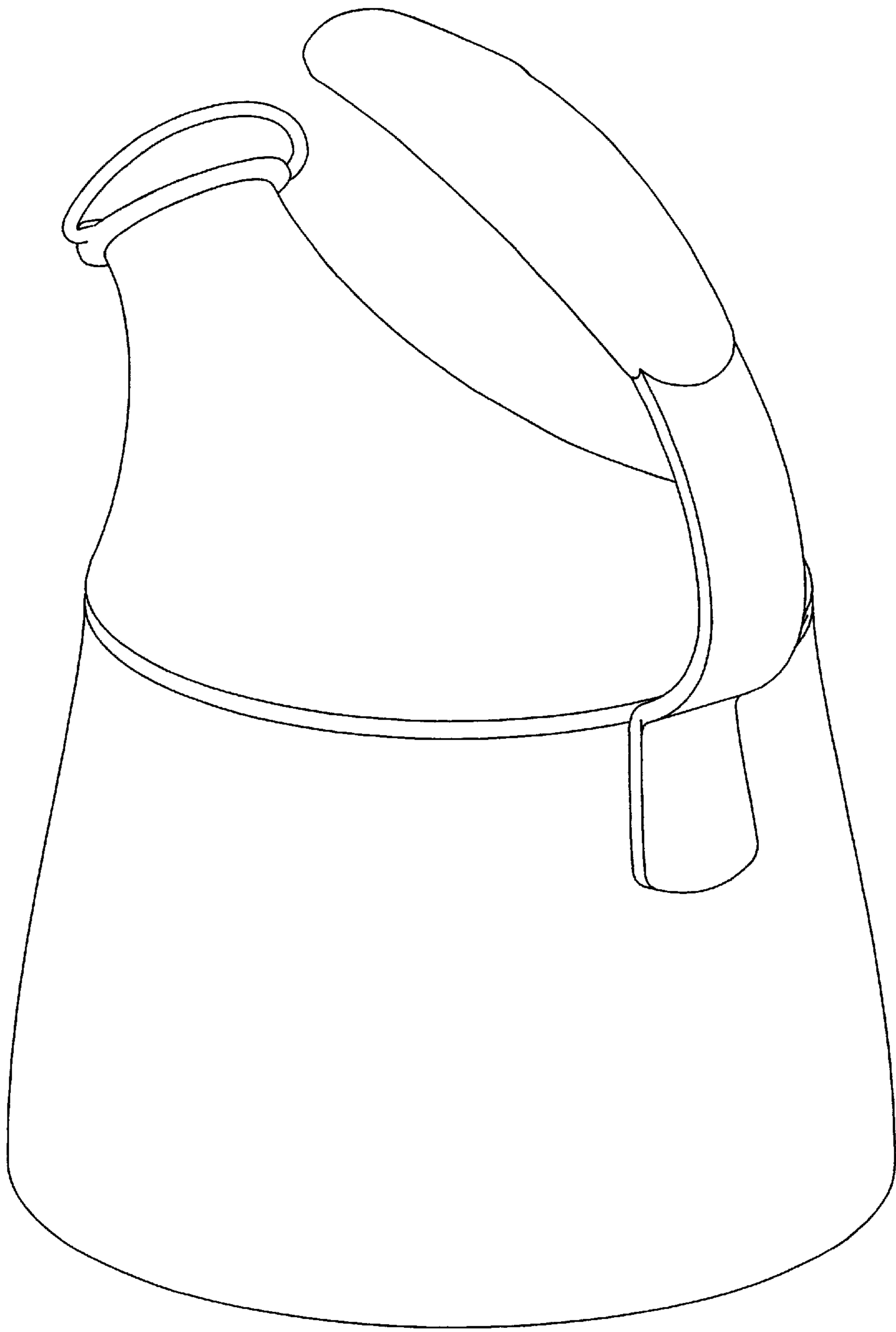


Fig. 1

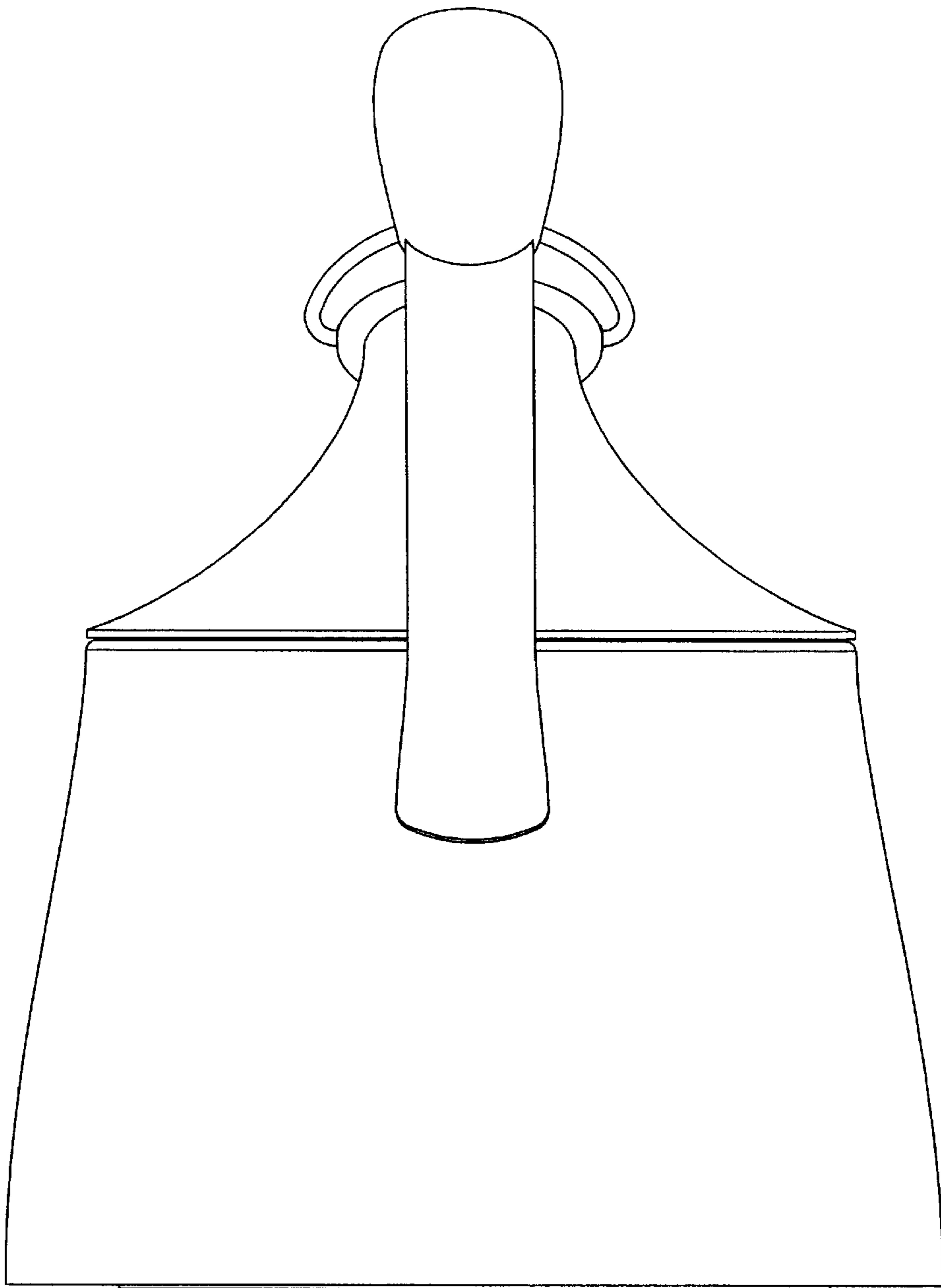


Fig. 2

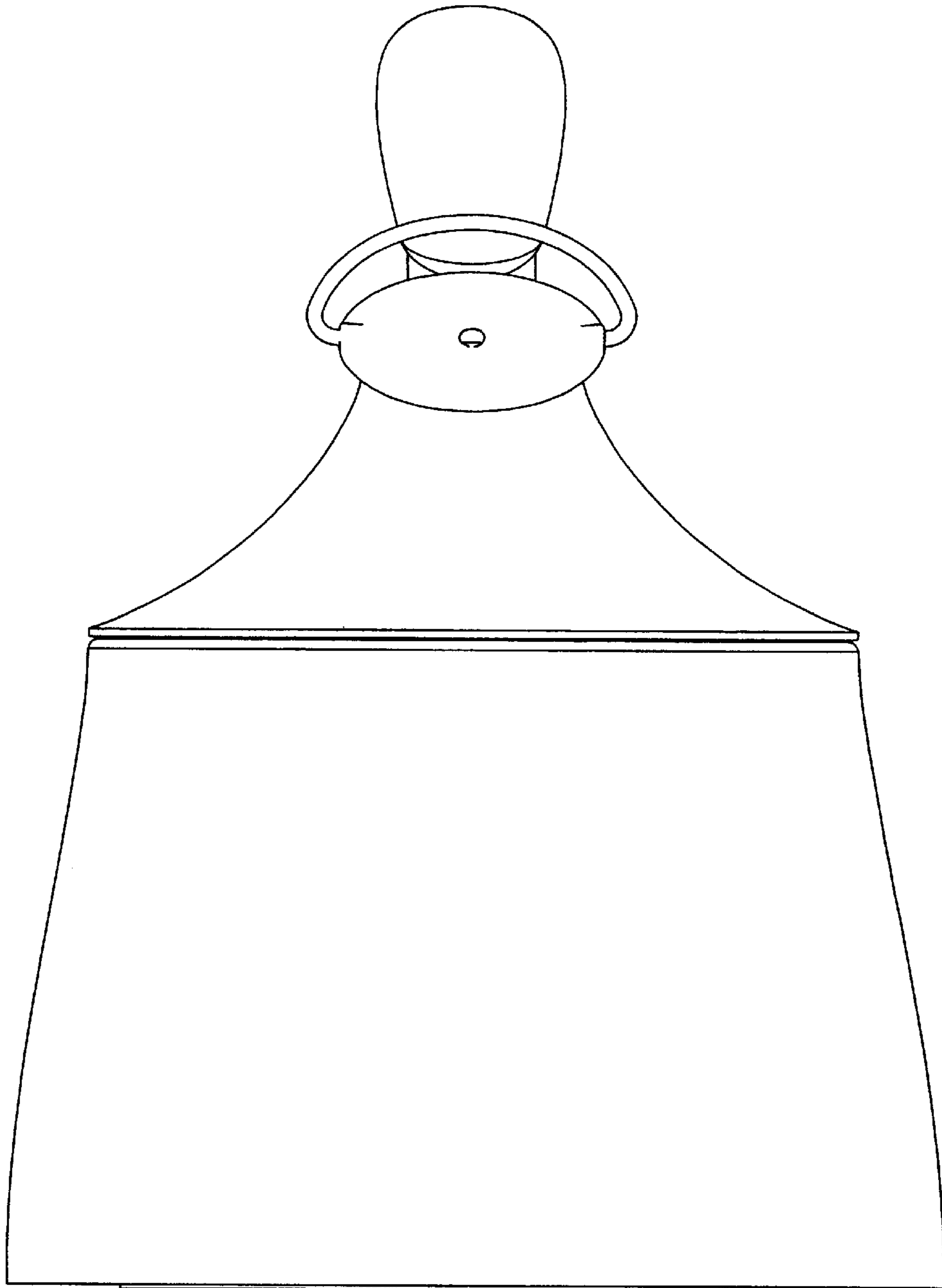


Fig. 3

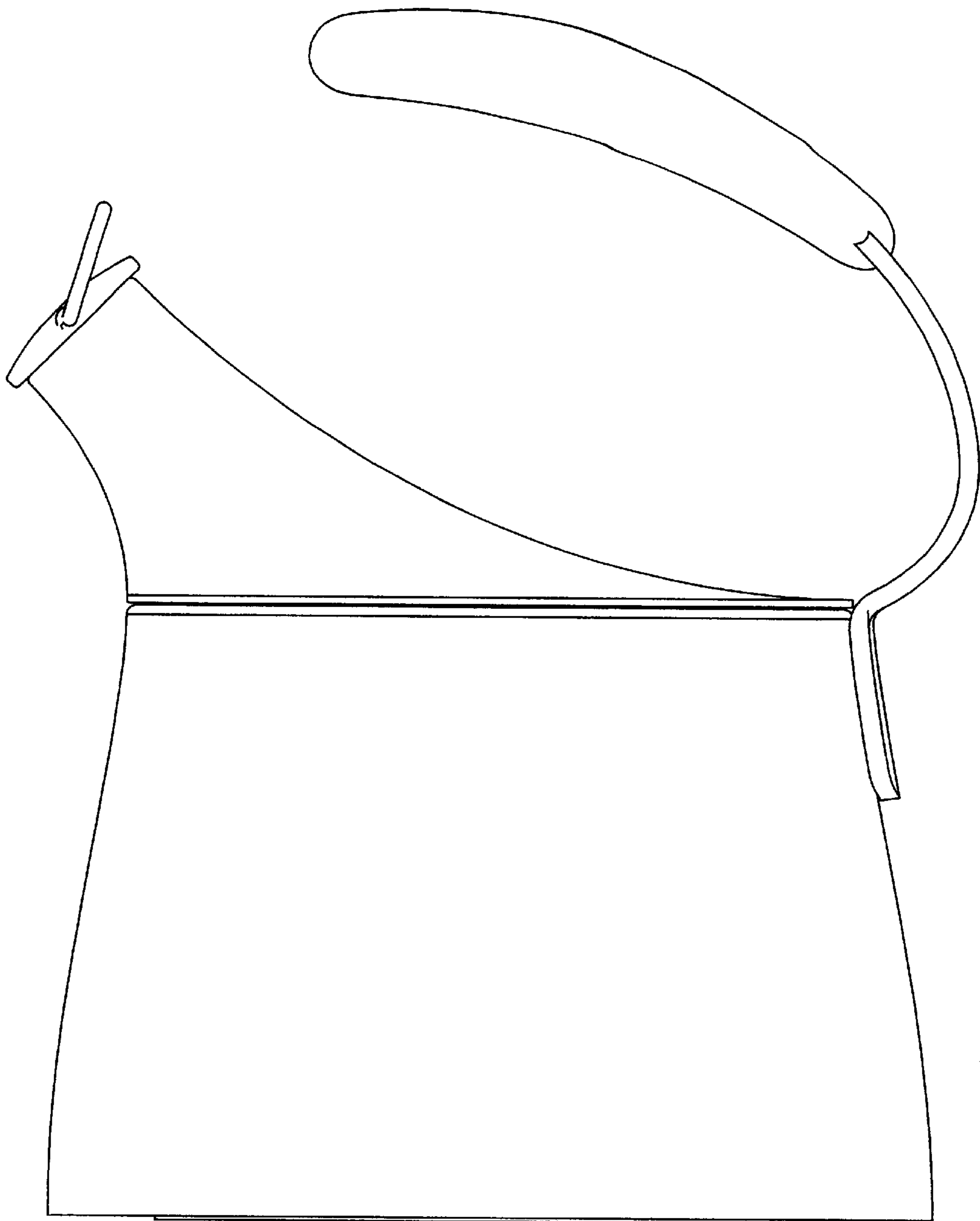


Fig. 4

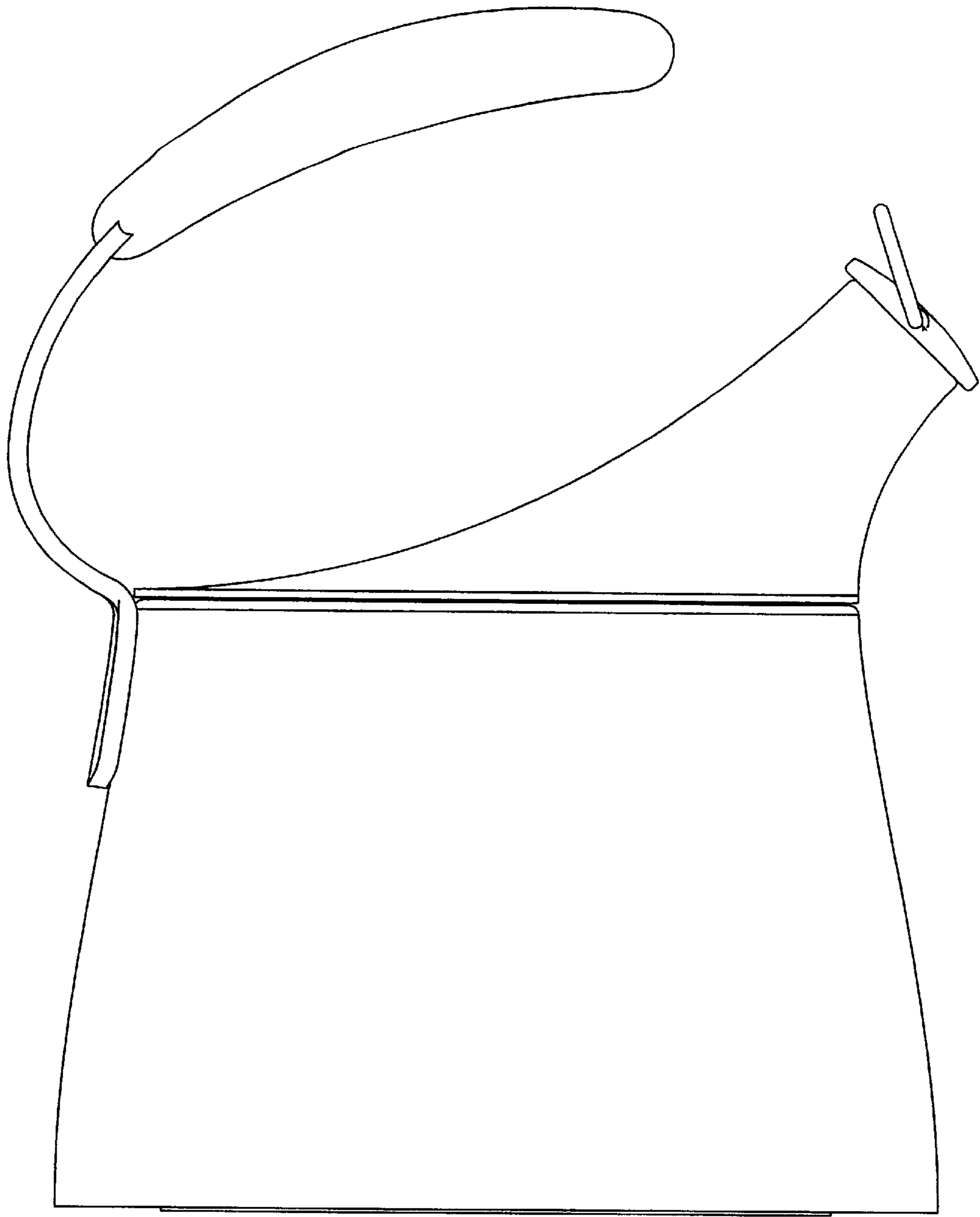


Fig. 5

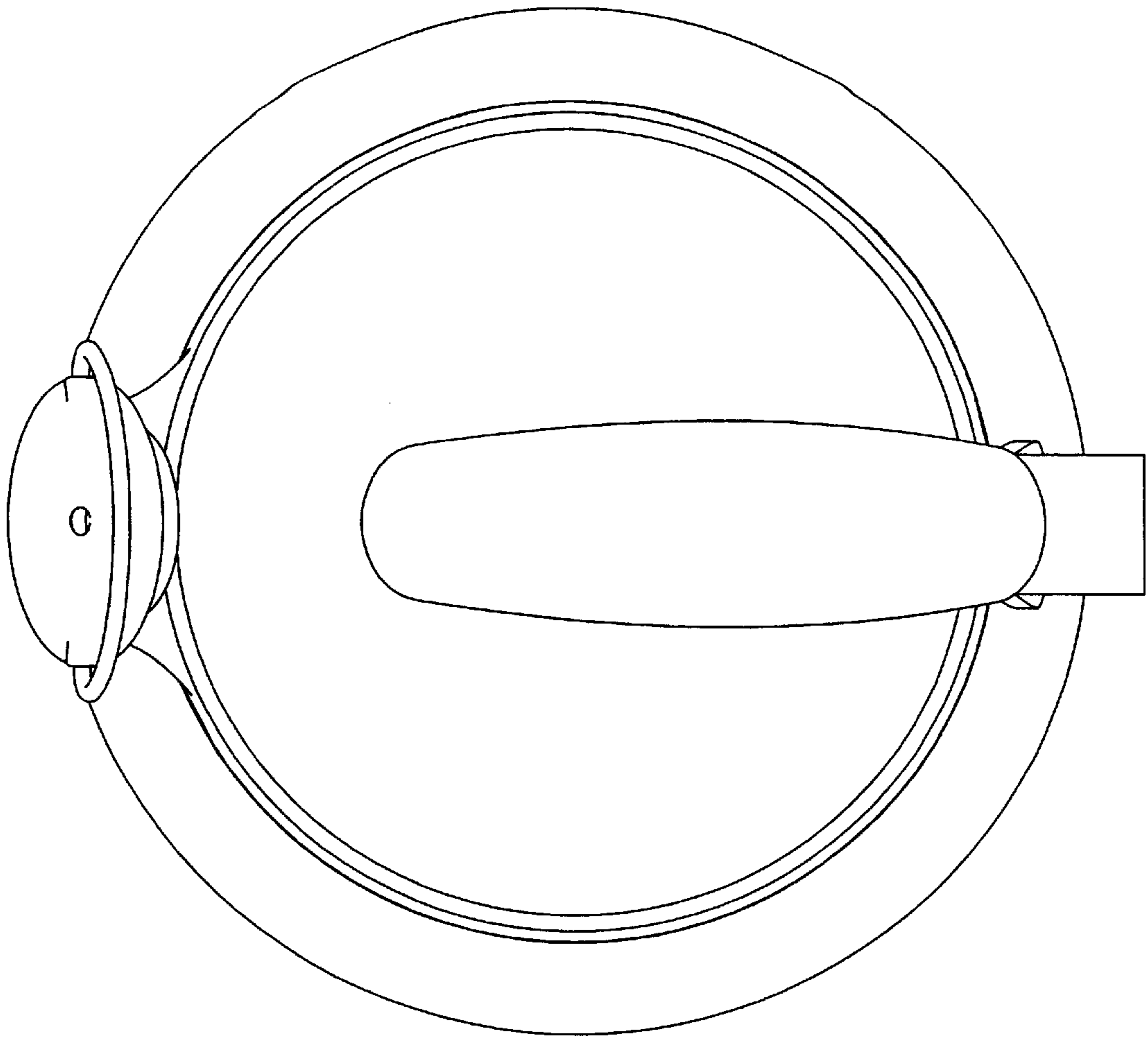


Fig. 6

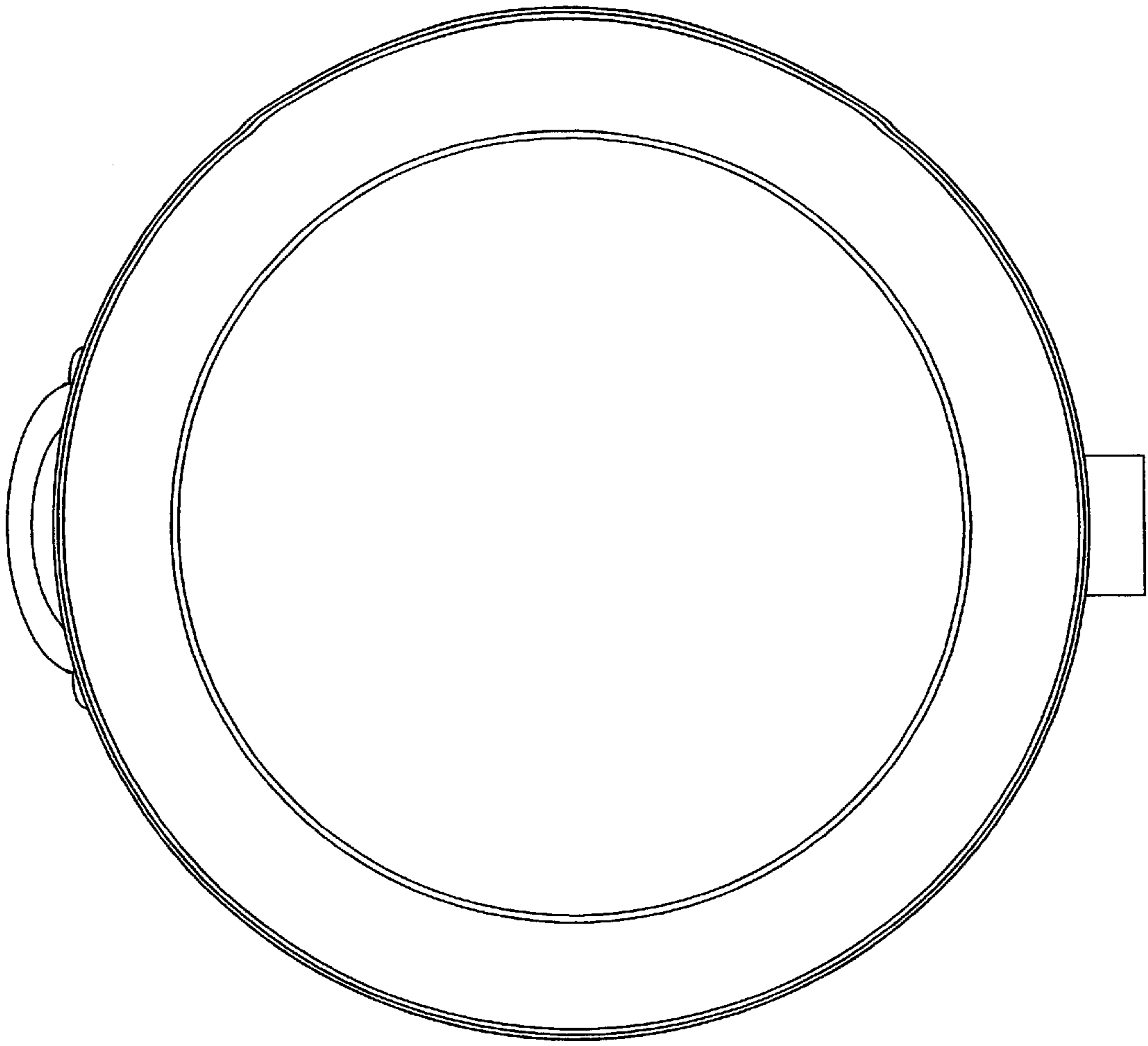


Fig. 7