



US00D449200B1

(12) **United States Design Patent**  
**Trazzi**

(10) **Patent No.:** **US D449,200 S**

(45) **Date of Patent:** **\*\* Oct. 16, 2001**

(54) **COFFEE MACHINE**

(75) **Inventor:** **Luca Trazzi, Milan (IT)**

(73) **Assignee:** **Petervin S.A. (LU)**

(\*\*) **Term:** **14 Years**

(21) **Appl. No.:** **29/120,618**

(22) **Filed:** **Mar. 23, 2000**

(51) **LOC (7) Cl.** ..... **07-01**

(52) **U.S. Cl.** ..... **D7/309; D7/311**

(58) **Field of Search** ..... **D7/300, 309, 310,**  
**D7/311, 306; 99/285, 293, 295, 283, 282;**  
**219/506**

(56) **References Cited**

**U.S. PATENT DOCUMENTS**

D. 324,621	*	3/1992	Haslacher	.....	D7/309
D. 339,499	*	9/1993	Seiffert	.....	D7/309
D. 340,162	*	10/1993	Storsberg	.....	D7/309
D. 344,206	*	2/1994	Azpiri	.....	D7/309
D. 361,691	*	8/1995	Maass, Jr.	.....	D7/309

D. 380,334	*	7/1997	Lin	.....	D7/309
D. 427,002	*	6/2000	Lin	.....	D7/309
D. 429,594	*	8/2000	Lin	.....	D7/309
D. 431,750	*	10/2000	Cahen	.....	D7/309
D. 431,751	*	10/2000	Cahen	.....	D7/309

\* cited by examiner

*Primary Examiner*—M. N. Pandozzi

(74) *Attorney, Agent, or Firm*—Rankin, Hill, Porter & Clark LLP

(57) **CLAIM**

The ornamental design for a coffee machine, as shown and described.

**DESCRIPTION**

FIG. 1 is a top plan view of a coffee machine according to my new design;

FIG. 2 is a left side elevational view thereof;

FIG. 3 is a right side elevational view thereof;

FIG. 4 is a front side elevational view thereof;

FIG. 5 is a rear side elevational view thereof; and,

FIG. 6 is a bottom plan view thereof.

**1 Claim, 3 Drawing Sheets**

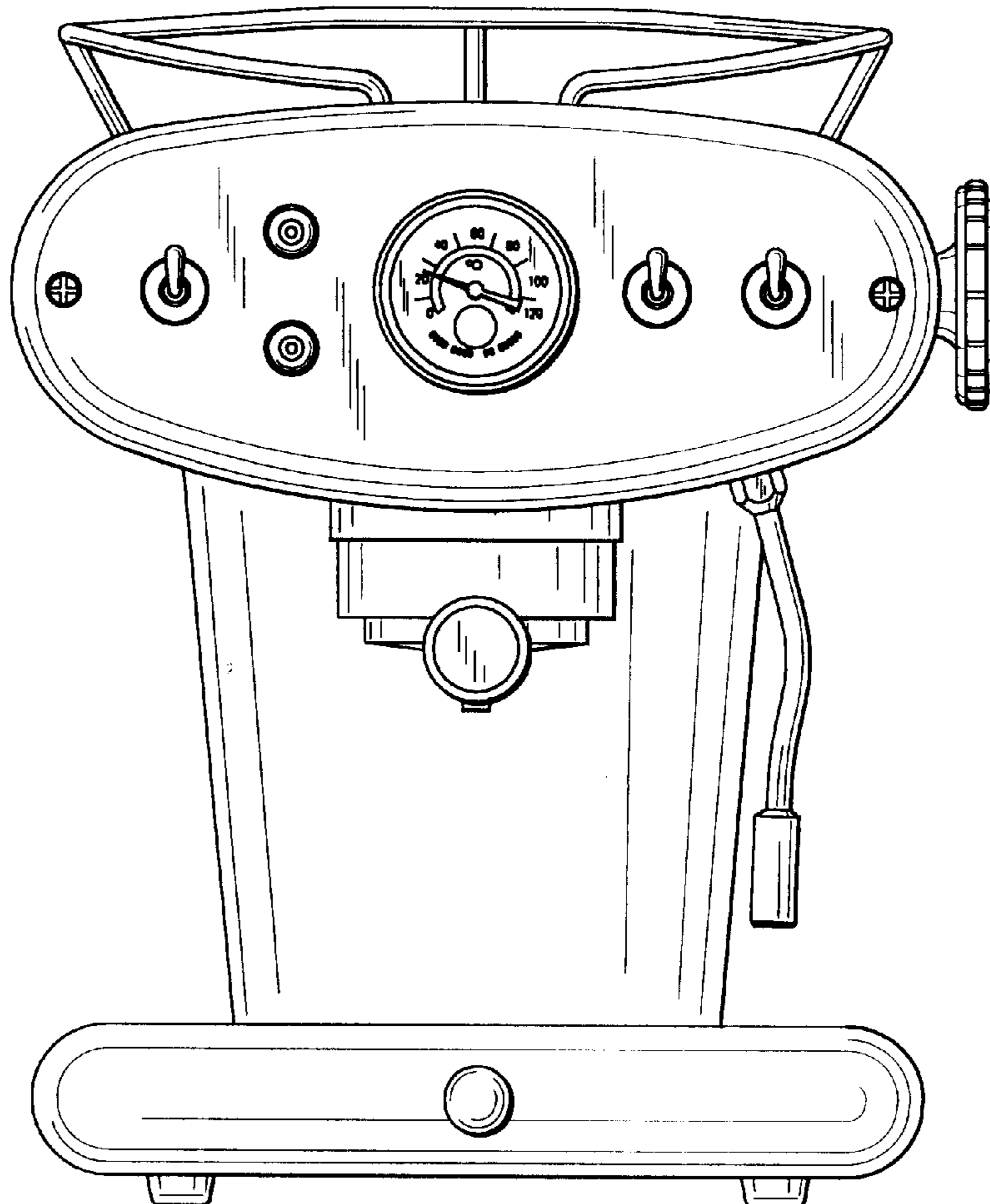


FIG. 1

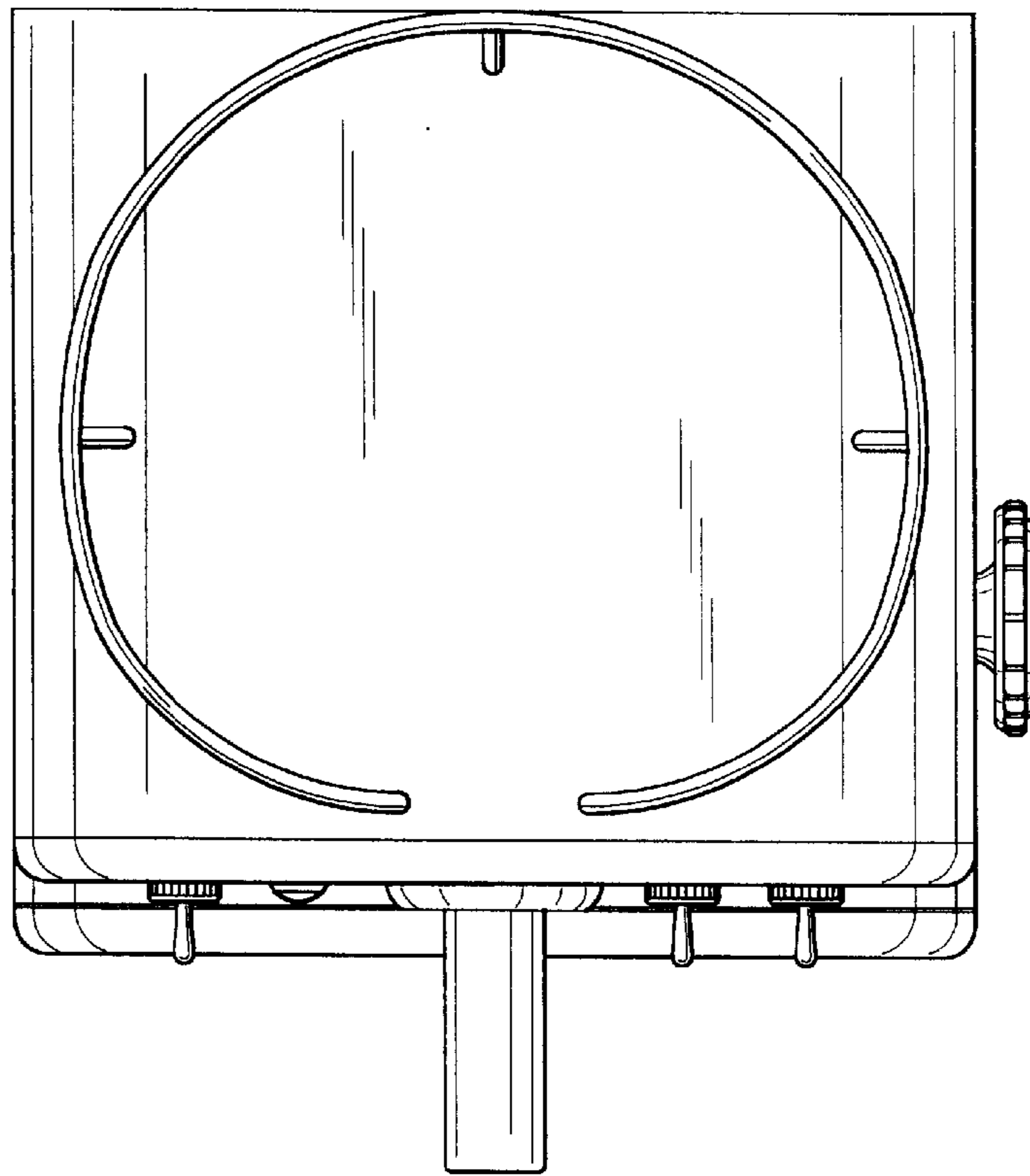


FIG. 2

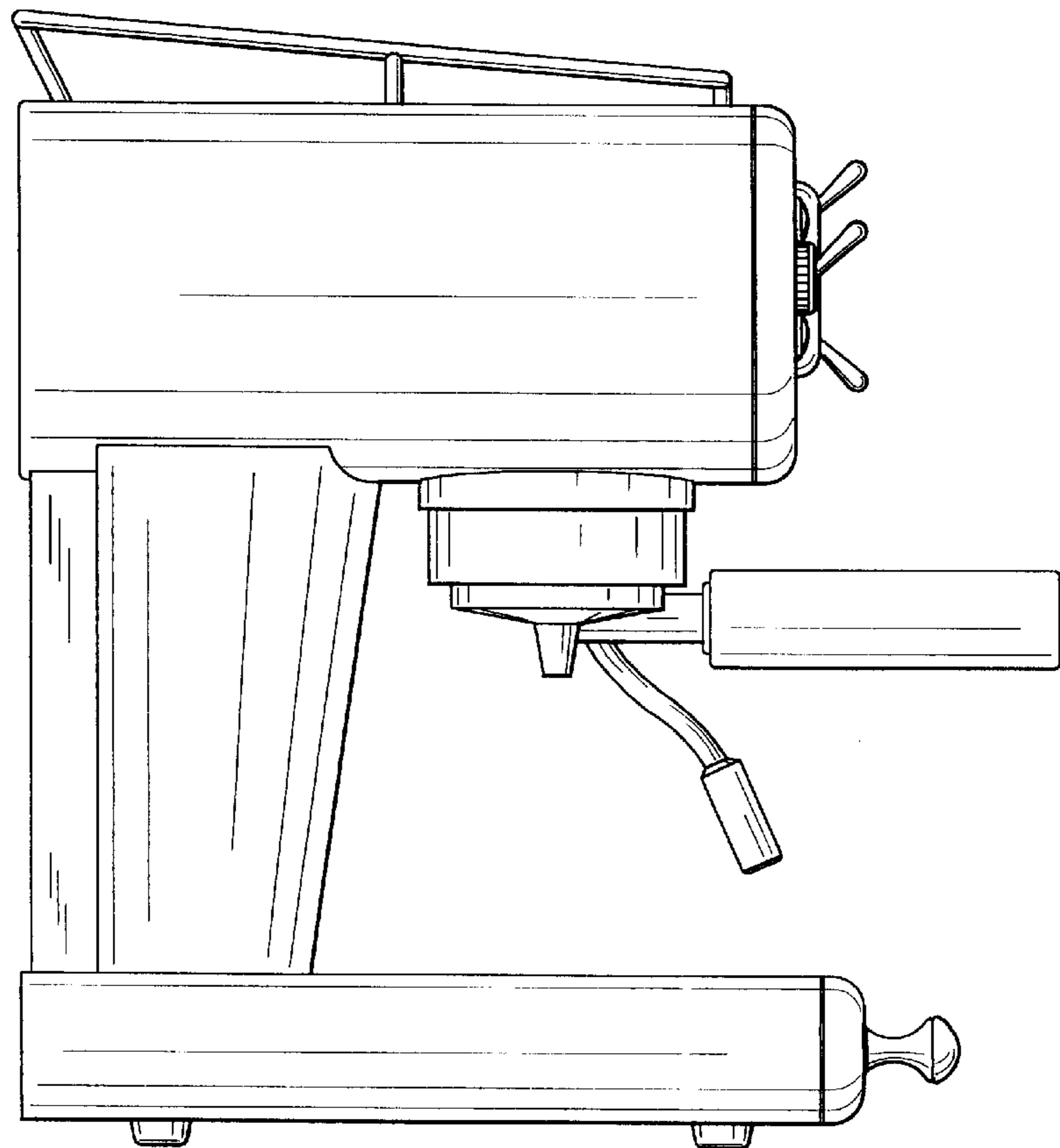


FIG. 3

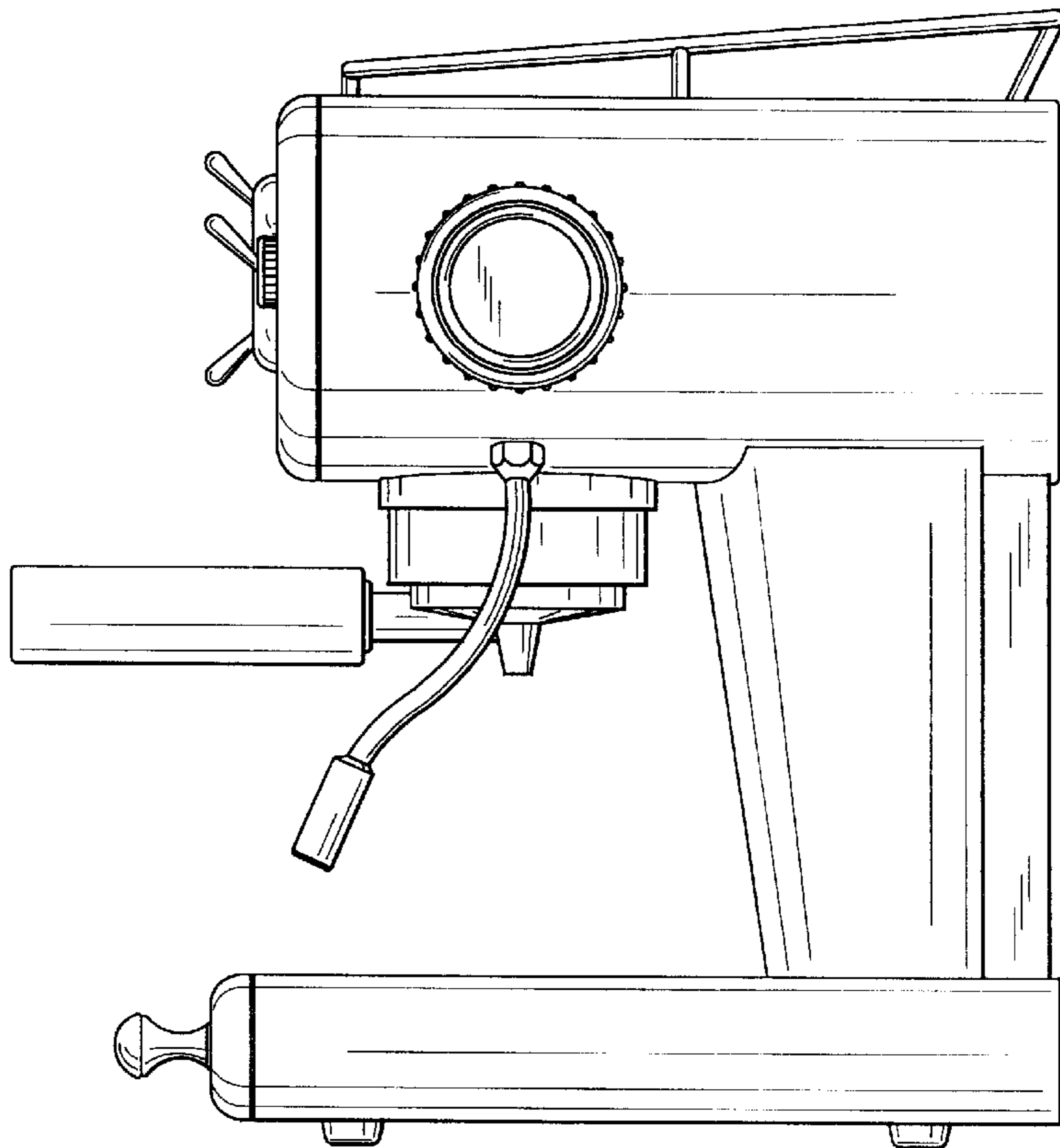


FIG. 4

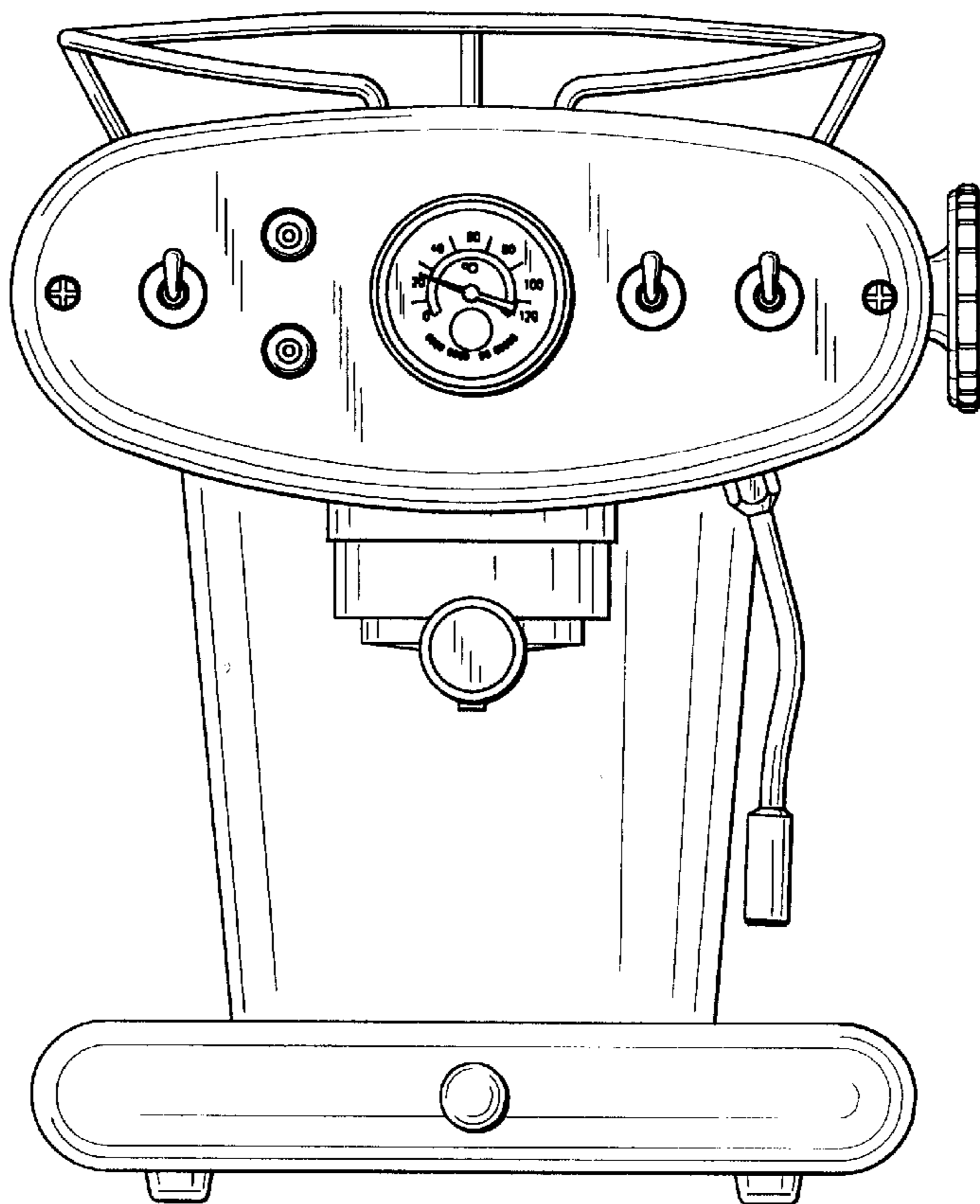


FIG. 5

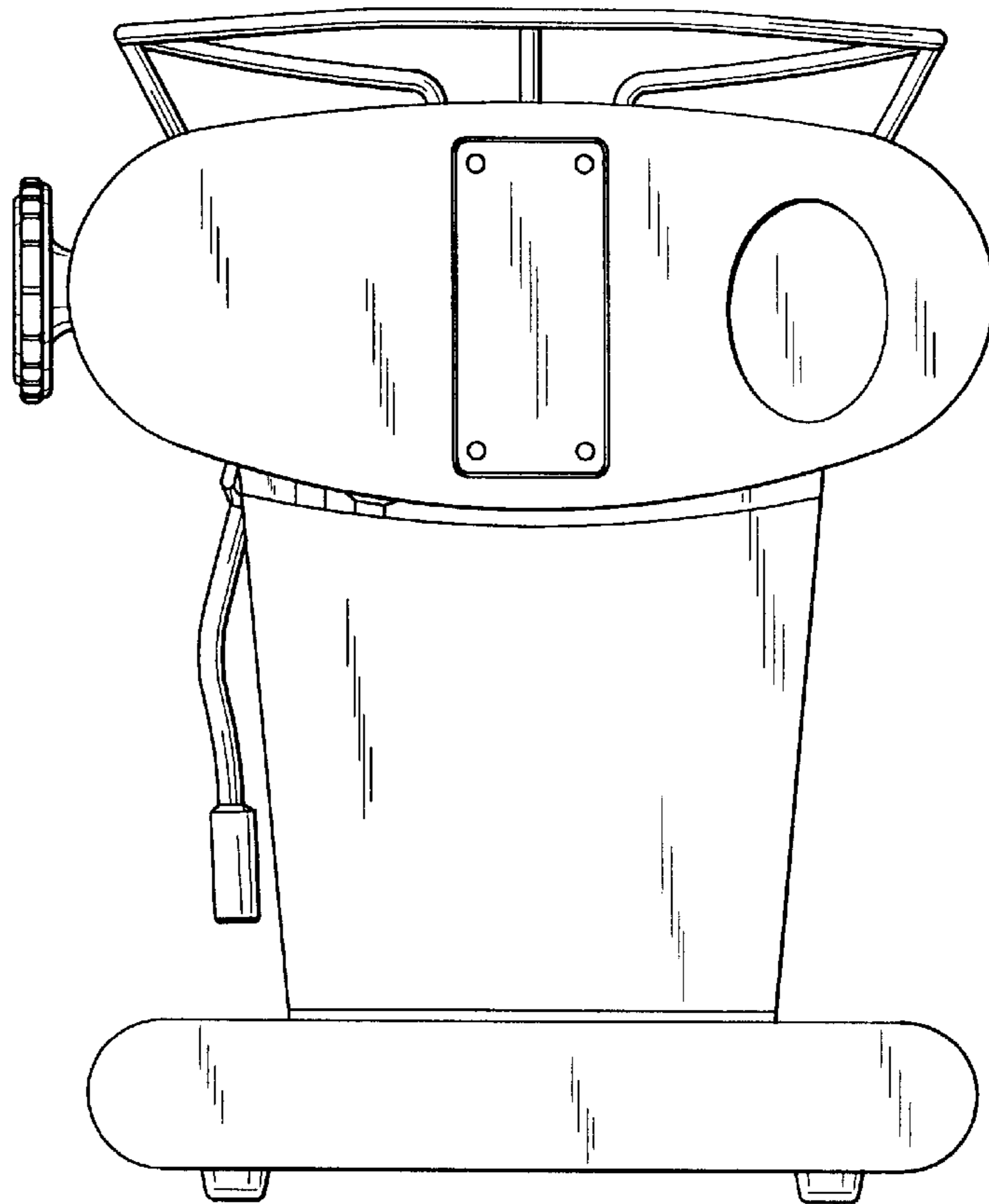


FIG. 6

