



US00D449199B1

(12) **United States Design Patent**
Cahen

(10) **Patent No.:** **US D449,199 S**

(45) **Date of Patent:** **** Oct. 16, 2001**

(54) **COFFEE MACHINE**

(75) **Inventor:** **Antoine Cahen, Lausanne (CH)**

(73) **Assignee:** **Societe de Produits Nestle S.A., Vevey (CH)**

(**) **Term:** **14 Years**

(21) **Appl. No.:** **29/117,767**

(22) **Filed:** **Feb. 2, 2000**

(51) **LOC (7) Cl.** **07-01**

(52) **U.S. Cl.** **D7/309; D7/310; D7/311**

(58) **Field of Search** **D7/300, 309, 310, D7/311, 306, 305; 99/295, 304, 283, 279, 305, 299**

D. 354,193	*	1/1995	Storsberg	D7/309
D. 360,802	*	8/1995	Seiffert	D7/309
D. 364,306	*	11/1995	Storsberg	D7/309
D. 380,334	*	7/1997	Lin	D7/309
D. 385,455	*	10/1997	Cortese	D7/309
D. 395,976	*	7/1998	Seiffert et al.	D7/309
D. 396,987	*	8/1998	Seiffert	D7/309
D. 400,046	*	10/1998	Seiffert	D7/309
D. 414,371	*	9/1999	Seiffert	D7/309
D. 441,593	*	5/2001	Gudefin	D7/309
4,644,856	*	2/1987	Borgmann	99/295

* cited by examiner

Primary Examiner—M. N. Pandozzi

(57) **CLAIM**

The ornamental design for a coffee machine, as shown and described.

(56) **References Cited**

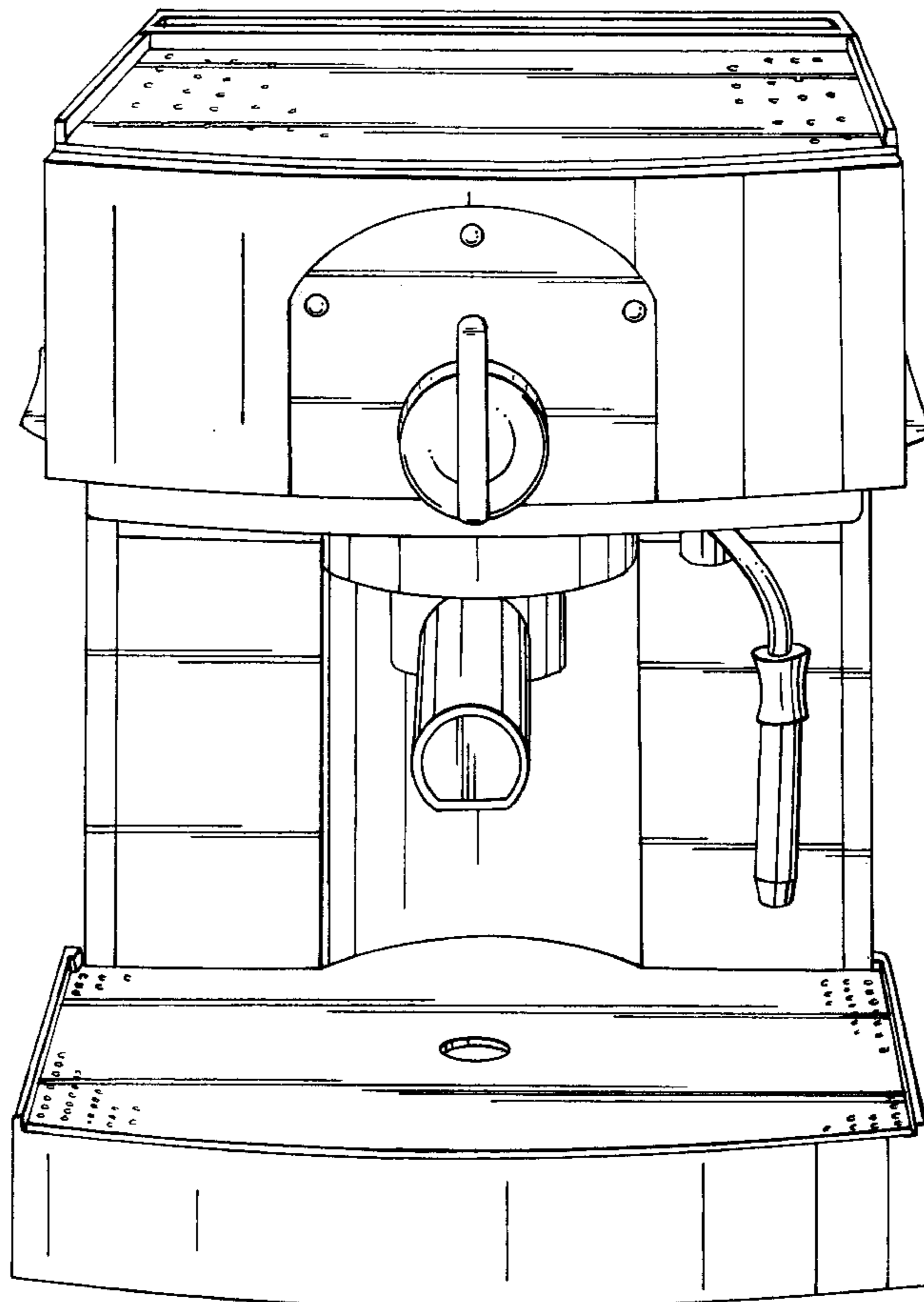
U.S. PATENT DOCUMENTS

D. 277,538	*	2/1985	Jack	D7/309
D. 323,949	*	2/1992	Kahlcke	D7/309
D. 324,621	*	3/1992	Haslacher	D7/309
D. 336,206	*	6/1993	Littmann	D7/309
D. 340,381	*	10/1993	Mermillod	D7/309
D. 344,206	*	2/1994	Azpiri	D7/309
D. 346,298	*	4/1994	Brady et al.	D7/309

DESCRIPTION

FIG. 1 is a front perspective view; FIG. 2 is a side perspective view; and, FIG. 3 is a side perspective view. The portions of the coffee machine that are not shown in the drawings do not form part of the claimed design.

1 Claim, 3 Drawing Sheets



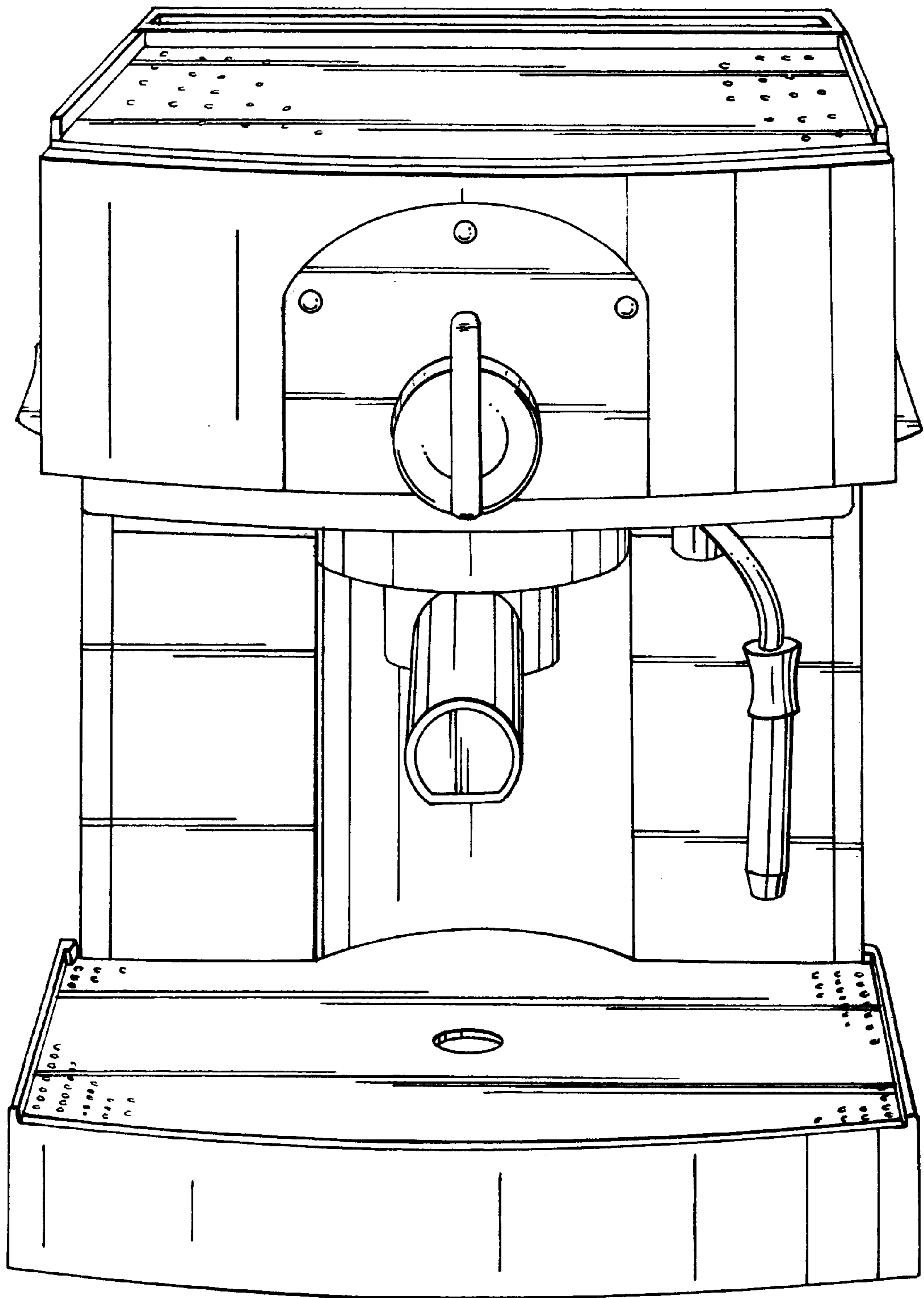


Fig. 1

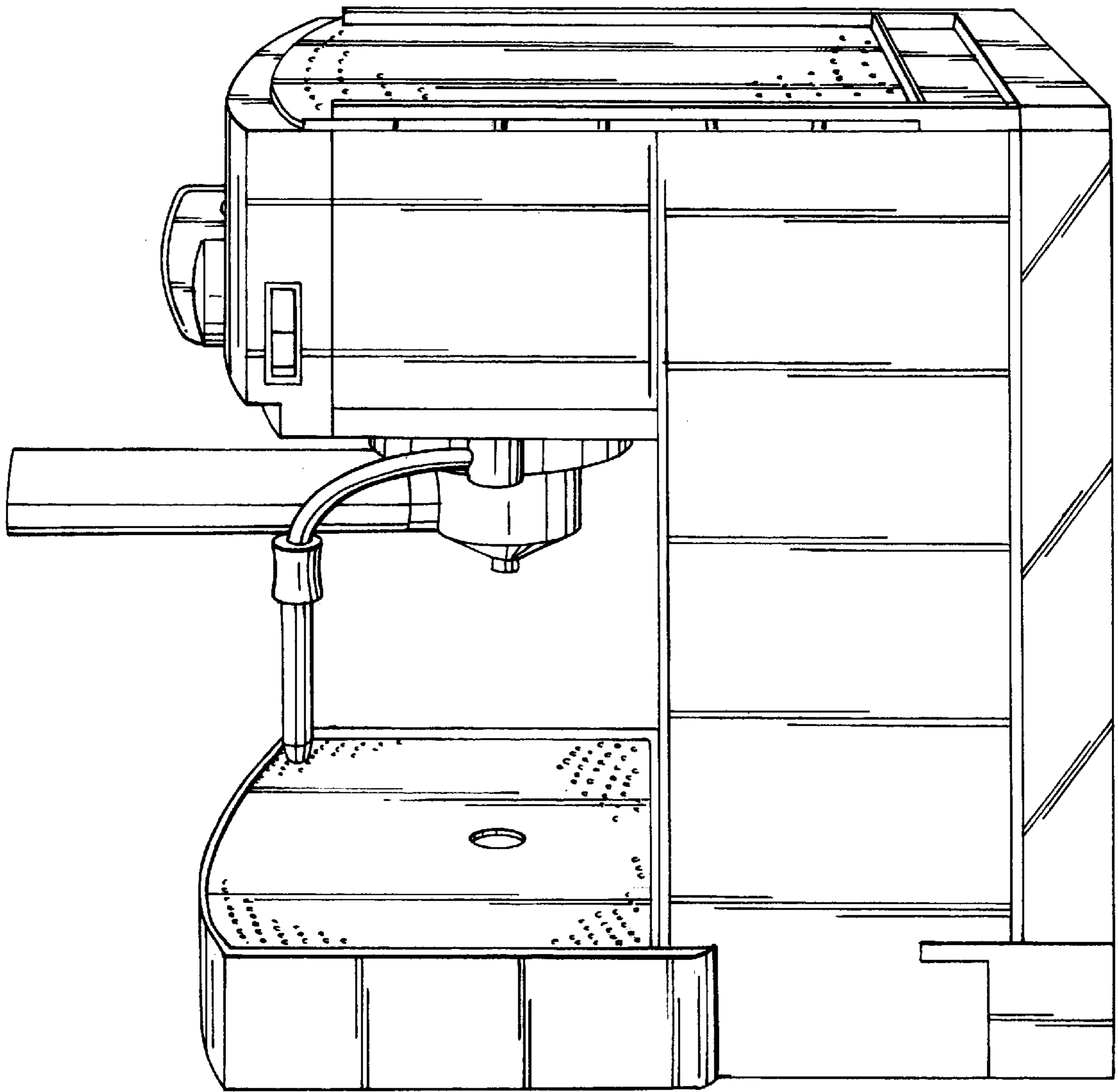


Fig. 2

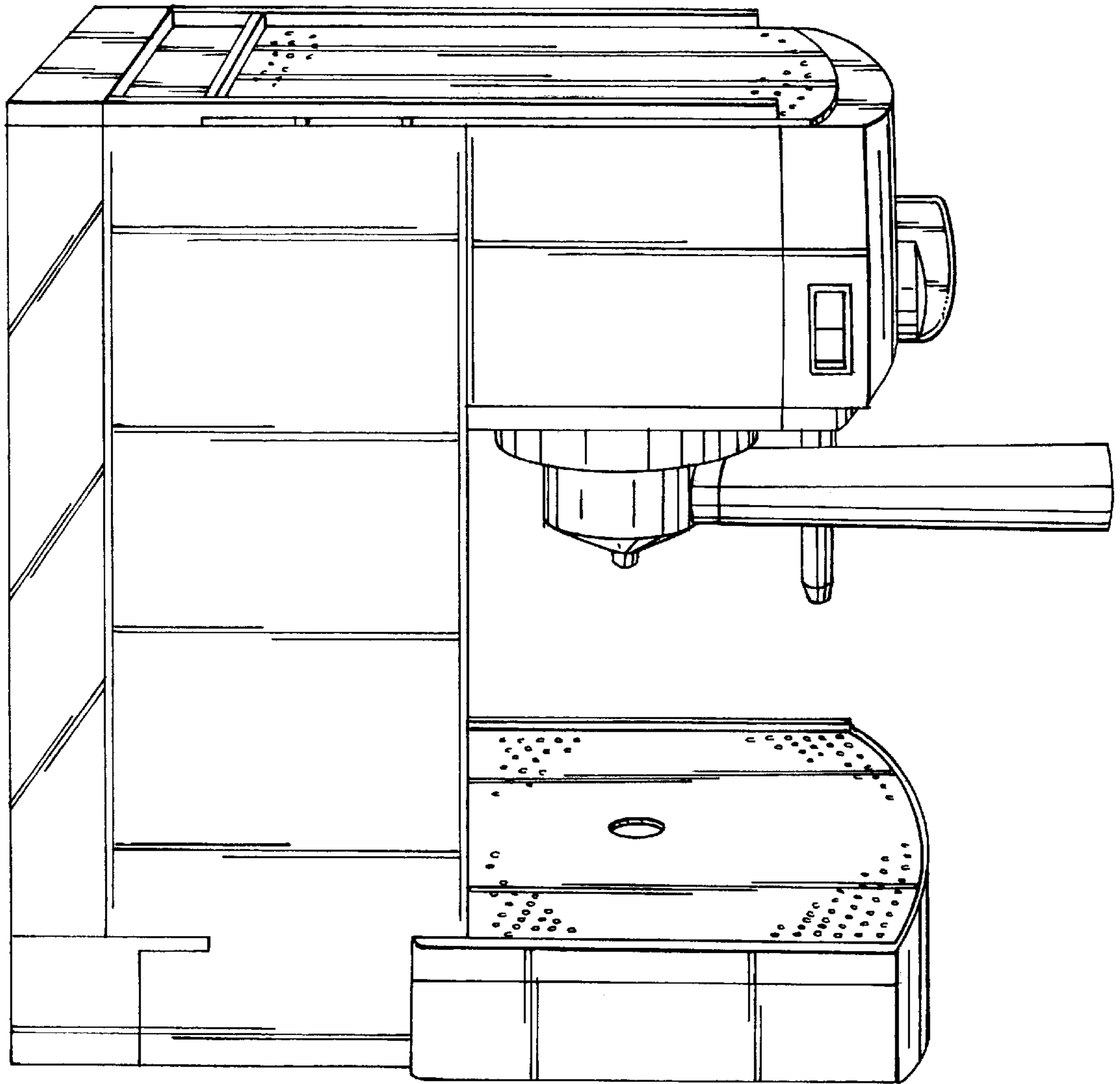


Fig. 3