



US00D449198B1

(12) **United States Design Patent**  
**Cahen**

(10) **Patent No.:** **US D449,198 S**

(45) **Date of Patent:** **\*\* Oct. 16, 2001**

(54) **COFFEE MACHINE**

(75) Inventor: **Antoine Cahen**, Lausanne (CH)

(73) Assignee: **Societe des Produits Nestle S.A.**,  
Vevey (CH)

(\*\*) Term: **14 Years**

(21) Appl. No.: **29/117,766**

(22) Filed: **Feb. 2, 2000**

(51) **LOC (7) Cl.** ..... **07-01**

(52) **U.S. Cl.** ..... **D7/309; D7/310; D7/311**

(58) **Field of Search** ..... **D7/300, 309, 310,**  
**D7/311, 306, 305; 99/295, 304, 283, 279,**  
**305, 299**

D. 354,193	*	1/1995	Storsberg	.....	D7/309
D. 360,802	*	8/1995	Seiffert	.....	D7/309
D. 364,306	*	11/1995	Storsberg	.....	D7/309
D. 380,334	*	7/1997	Lin	.....	D7/309
D. 385,455	*	10/1997	Cortese	.....	D7/309
D. 395,976	*	7/1998	Seiffert et al.	.....	D7/309
D. 396,987	*	8/1998	Seiffert	.....	D7/309
D. 400,046	*	10/1998	Seiffert	.....	D7/309
D. 414,371	*	9/1999	Seiffert	.....	D7/309
D. 441,593	*	5/2001	Gudefin	.....	D7/309
4,644,856	*	2/1987	Borgmann	.....	99/295

\* cited by examiner

*Primary Examiner*—M. N. Pandozzi

(57) **CLAIM**

The ornamental design for a coffee machine, as shown and described.

(56) **References Cited**

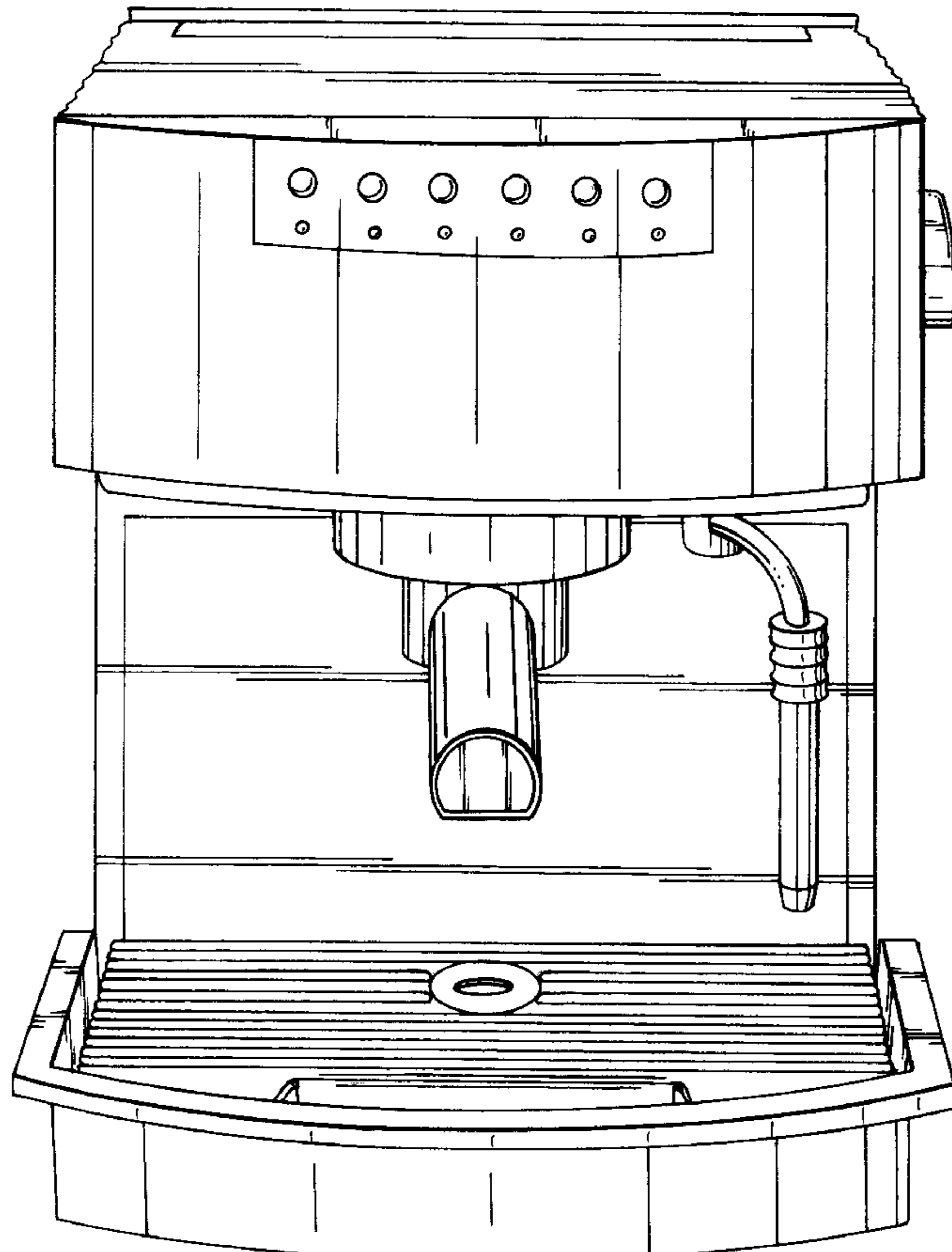
**U.S. PATENT DOCUMENTS**

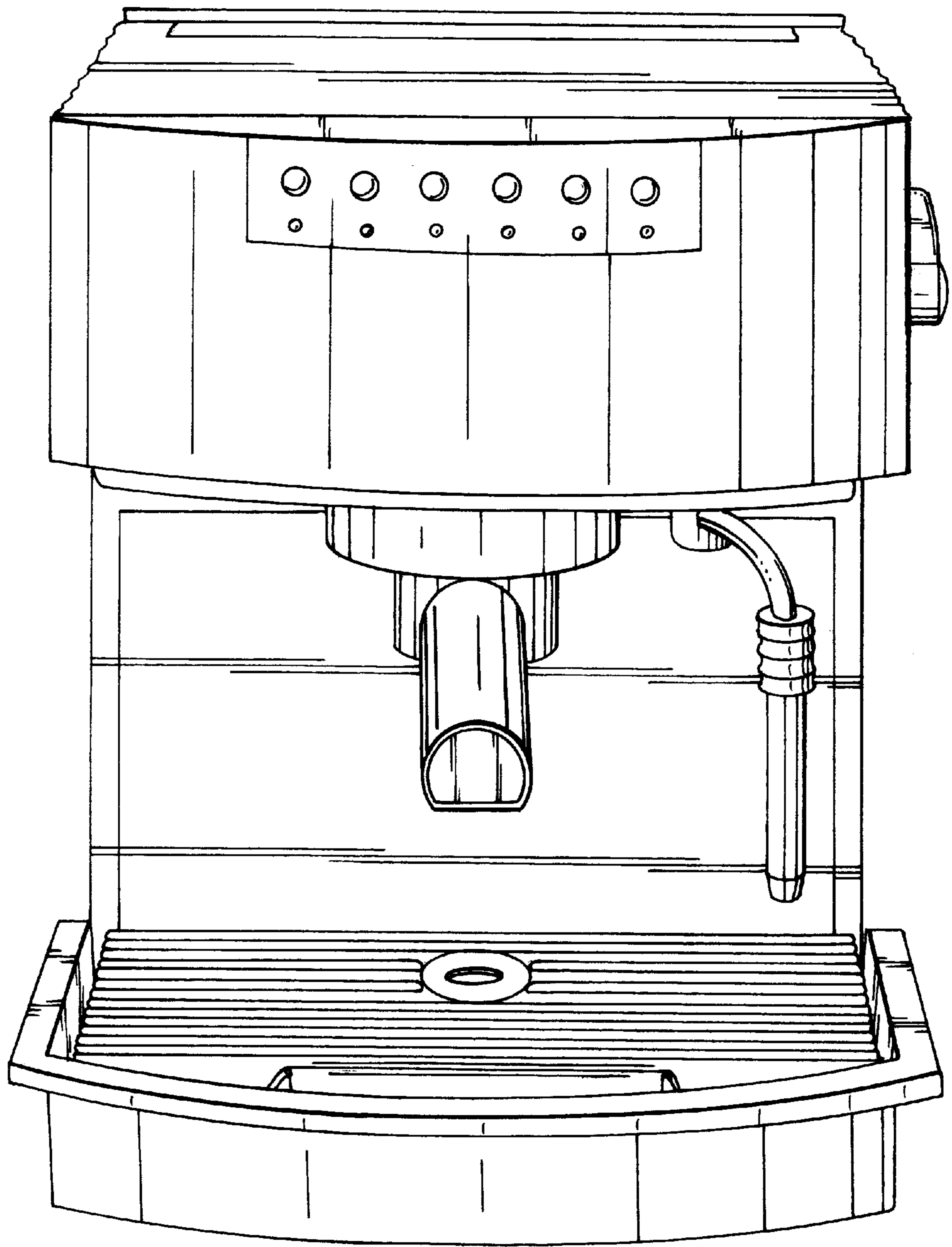
D. 277,538	*	2/1985	Jack	.....	D7/309
D. 323,949	*	2/1992	Kahlcke	.....	D7/309
D. 324,621	*	3/1992	Haslacher	.....	D7/309
D. 336,206	*	6/1993	Littmann	.....	D7/309
D. 340,381	*	10/1993	Mermillod	.....	D7/309
D. 344,206	*	2/1994	Azpiri	.....	D7/309
D. 346,298	*	4/1994	Brady et al.	.....	D7/309

**DESCRIPTION**

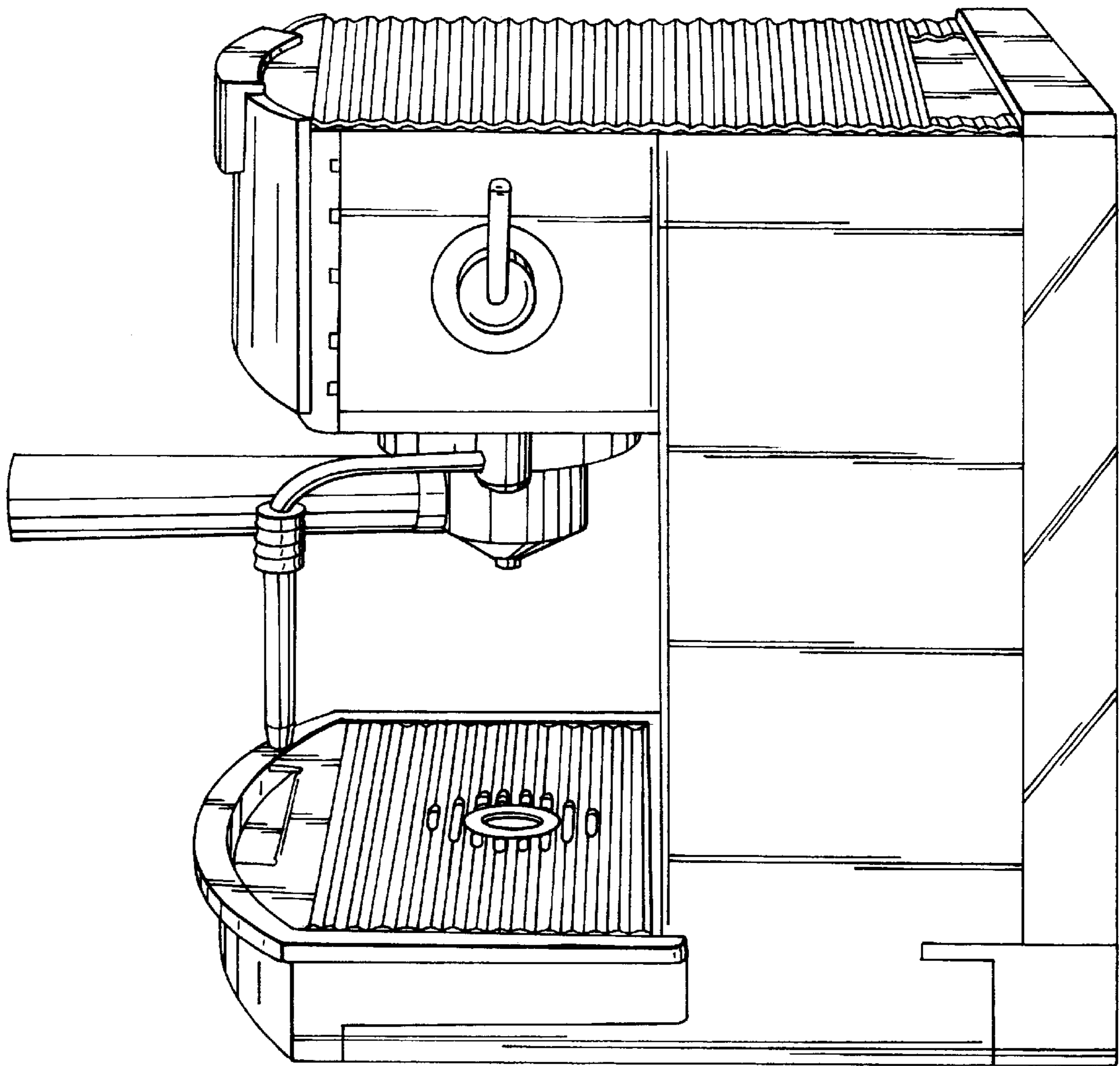
FIG. 1 is a front perspective view;  
FIG. 2 is a side perspective view; and,  
FIG. 3 is a side perspective view.  
The portions of the coffee machine that are not shown in the drawings do not form part of the claimed design.

**1 Claim, 3 Drawing Sheets**

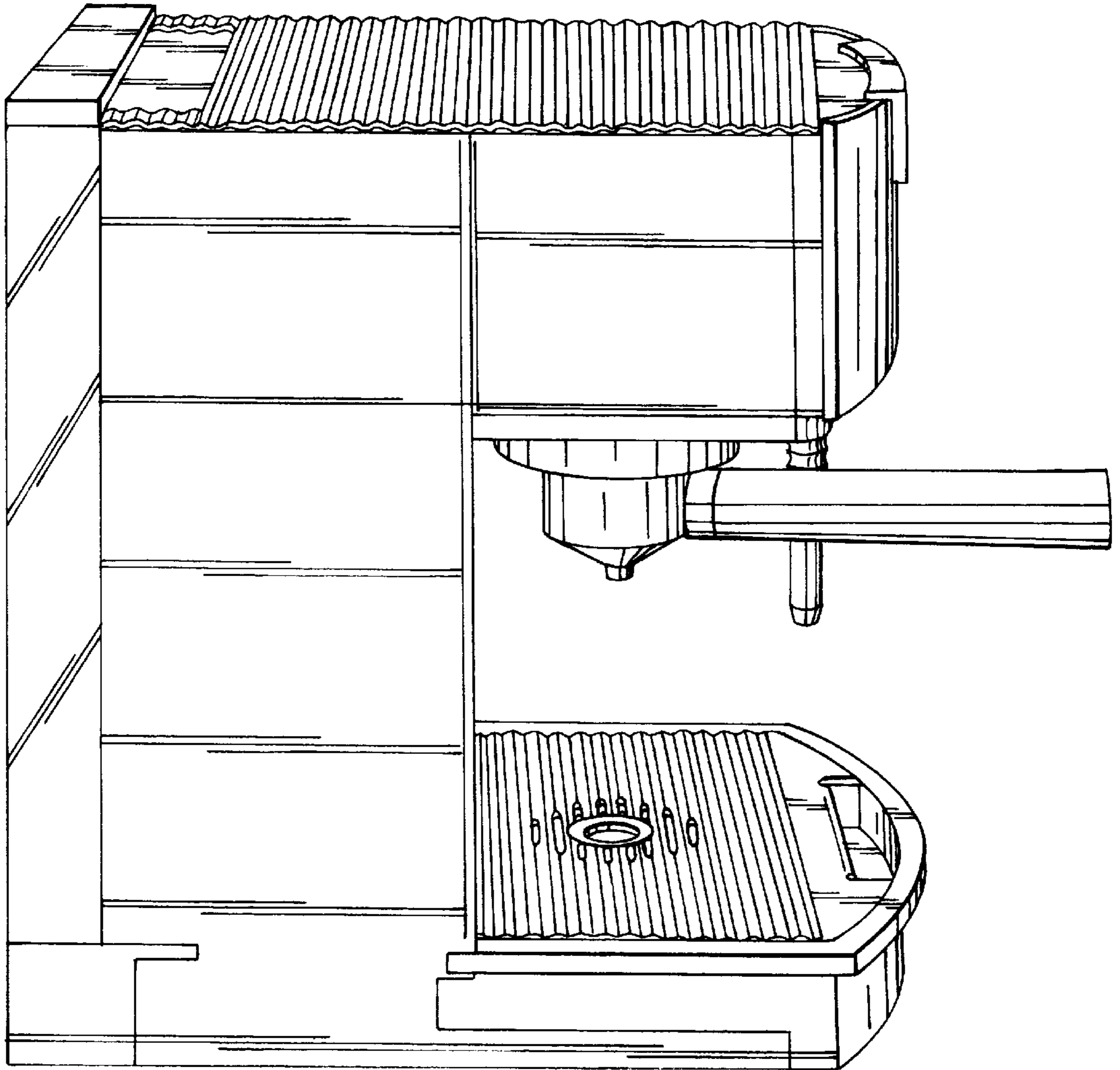




*Fig. 1*



*Fig. 2*



*Fig. 3*