



US00D449192B1

(12) **United States Design Patent**  
**Sheward**

(10) **Patent No.:** **US D449,192 S**

(45) **Date of Patent:** **\*\* Oct. 16, 2001**

(54) **WINDOW BLIND CLASP**  
(75) Inventor: **Terry A. Sheward**, Newport Beach, CA (US)  
(73) Assignee: **Sheward & Son & Sons**, Newport Beach, CA (US)  
(\*\*) Term: **14 Years**

3,527,284 9/1970 Nelson et al. .  
4,406,042 \* 9/1983 McPhee ..... 24/130  
4,765,388 8/1988 Dohlemann .  
4,846,243 7/1989 Schneider .  
4,945,969 8/1990 Schnebly et al. .  
5,090,098 2/1992 Seveik et al. .  
5,273,096 12/1993 Thomsen et al. .  
5,331,725 7/1994 Chou .  
5,664,520 9/1997 Latimer, III .  
5,735,019 4/1998 Kerr et al. .

(21) Appl. No.: **29/100,147**  
(22) Filed: **Feb. 5, 1999**

**FOREIGN PATENT DOCUMENTS**

2701596 7/1978 (DE) .  
6-70841 3/1994 (JP) .

(51) **LOC (7) Cl.** ..... **06-10**  
(52) **U.S. Cl.** ..... **D6/580**  
(58) **Field of Search** ..... D6/580, 577; D25/119, D25/122; 52/204, 208; D8/325, 396; 211/86, 89, 94, 94.5, 103, 105.1

**OTHER PUBLICATIONS**

Dahlstrom Manufacturing Corporation Catalog #11, tubing !1315, p. 122 (1967).  
Dahlstrom Manufacturing Corporation Catalog #11, tubing #1303, p. 123 (1967).

(56) **References Cited**

**U.S. PATENT DOCUMENTS**

D. 28,865 6/1898 Baker .  
D. 110,620 7/1938 Lowry .  
D. 242,138 \* 11/1976 Drawsky ..... D25/119  
D. 279,959 8/1985 Nimmo et al. .  
D. 340,378 10/1993 Schon .  
D. 341,977 12/1993 Schon .  
D. 369,549 5/1996 Meyers et al. .  
D. 370,205 5/1996 Collins .  
D. 372,865 8/1996 Stowell et al. .  
D. 381,177 7/1997 Patois et al. .  
709,936 9/1902 Stewart .  
1,226,403 5/1917 Snyder .  
2,138,374 11/1938 Edwards .  
2,388,297 11/1945 Slaughter .  
2,425,245 8/1947 Johnson .  
2,444,558 7/1948 Elliot .  
2,623,250 12/1952 Chilton .  
2,700,196 1/1955 Panhard .  
2,814,841 12/1957 Brugler .  
3,159,884 12/1964 Hankey .

\* cited by examiner

*Primary Examiner*—Mitchell Siegel  
(74) *Attorney, Agent, or Firm*—Knobbe, Martens, Olson & Bear, LLP

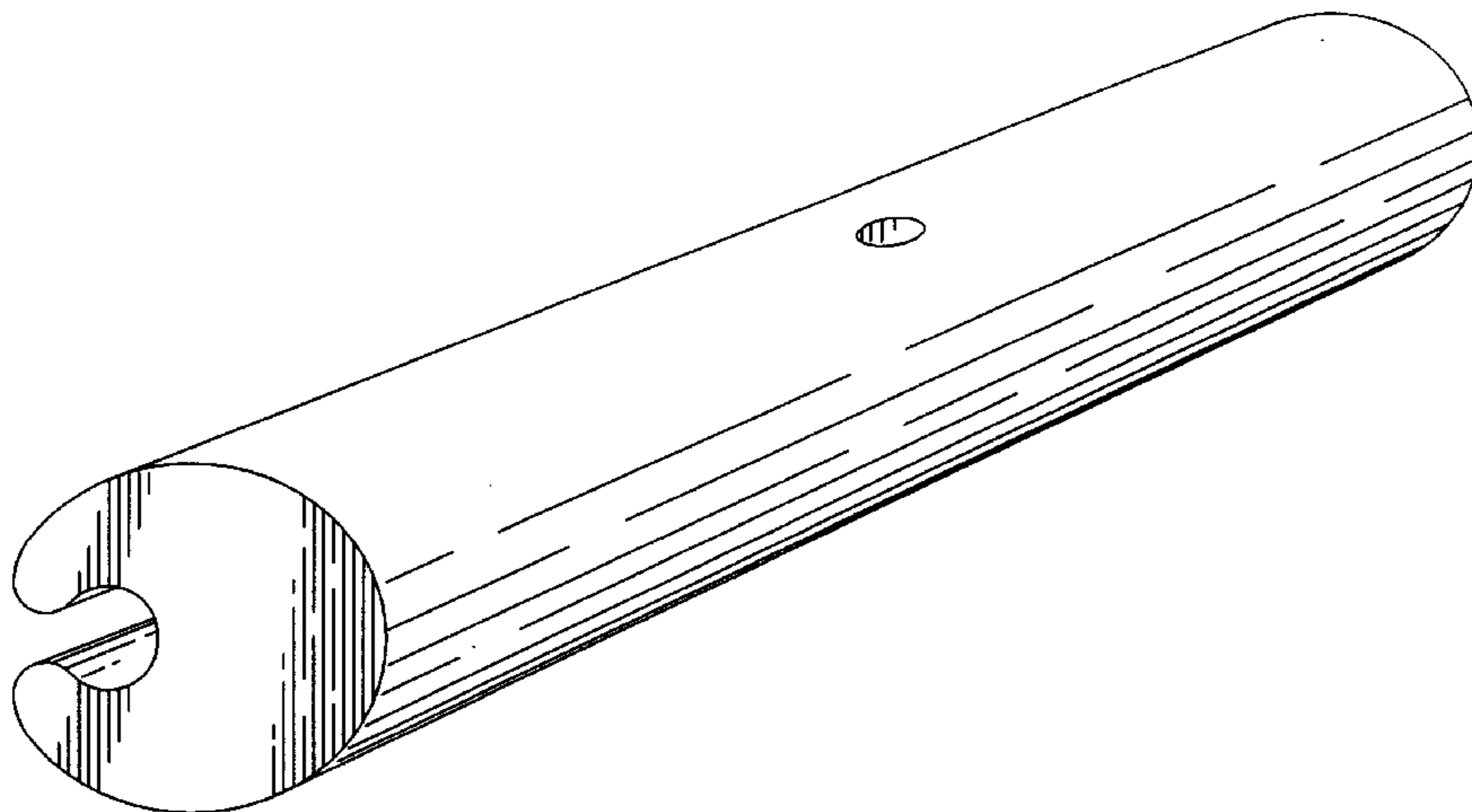
(57) **CLAIM**

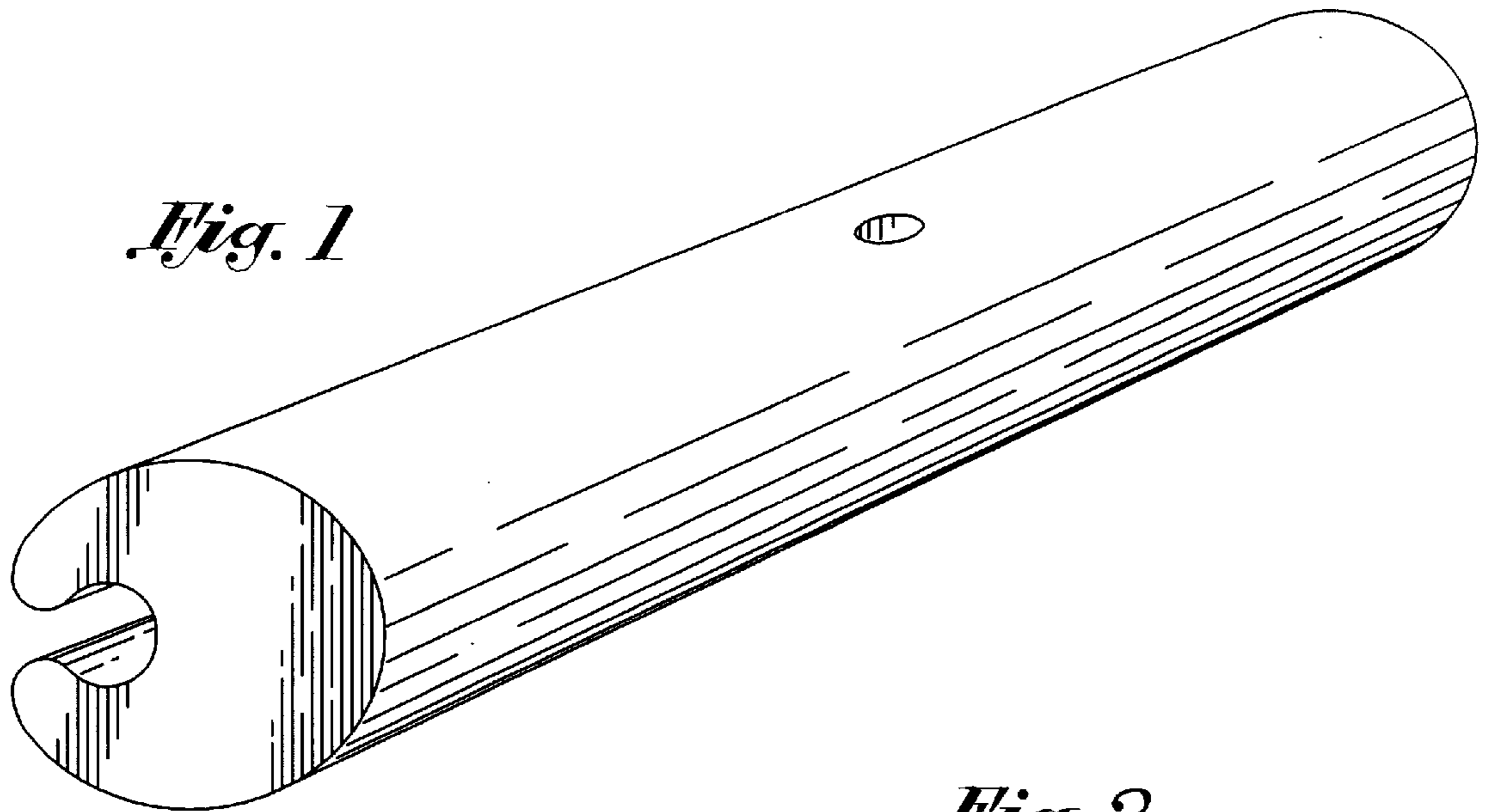
The ornamental design for a window blind clasp, as shown and described.

**DESCRIPTION**

FIG. 1 is a front perspective view of a further alternative embodiment of the present invention; FIG. 2 is a left side elevational view of the window blind clasp of FIG. 1, the right elevational view being a mirror image thereof; and, FIG. 3 is a rear perspective view of the window blind clasp of FIG. 1.

**1 Claim, 1 Drawing Sheet**





*Fig. 2*

