



US00D449185B1

(12) **United States Design Patent**
Solloway

(10) **Patent No.:** **US D449,185 S**

(45) **Date of Patent:** **** Oct. 16, 2001**

(54) **CONFERENCE TABLE**

(75) **Inventor:** **Stanley N. Solloway**, Norman, OK (US)

(73) **Assignee:** **Regency Steel, Inc.**, Norman, OK (US)

(**) **Term:** **14 Years**

(21) **Appl. No.:** **29/126,783**

(22) **Filed:** **Jul. 24, 2000**

(51) **LOC (7) Cl.** **06-03**

(52) **U.S. Cl.** **D6/480**

(58) **Field of Search** D6/480-489, 495-499;
108/153.1, 155, 156, 157.1, 157.15, 157.16,
149, 161; 248/188, 188.1, 188.8

(56) **References Cited**

U.S. PATENT DOCUMENTS

- D. 239,891 * 5/1976 Cipullo .
- D. 290,668 * 7/1987 Lundy D6/487
- D. 361,459 * 8/1995 Hansen D6/487
- D. 369,925 * 5/1996 Keller D6/480

OTHER PUBLICATIONS

Interiors, Jan. 1975, p. 117R, table at top left.*

* cited by examiner

Primary Examiner—Janice E. Seeger

(74) *Attorney, Agent, or Firm*—Welsh & Katz, Ltd.;
Thomas W. Tolpin

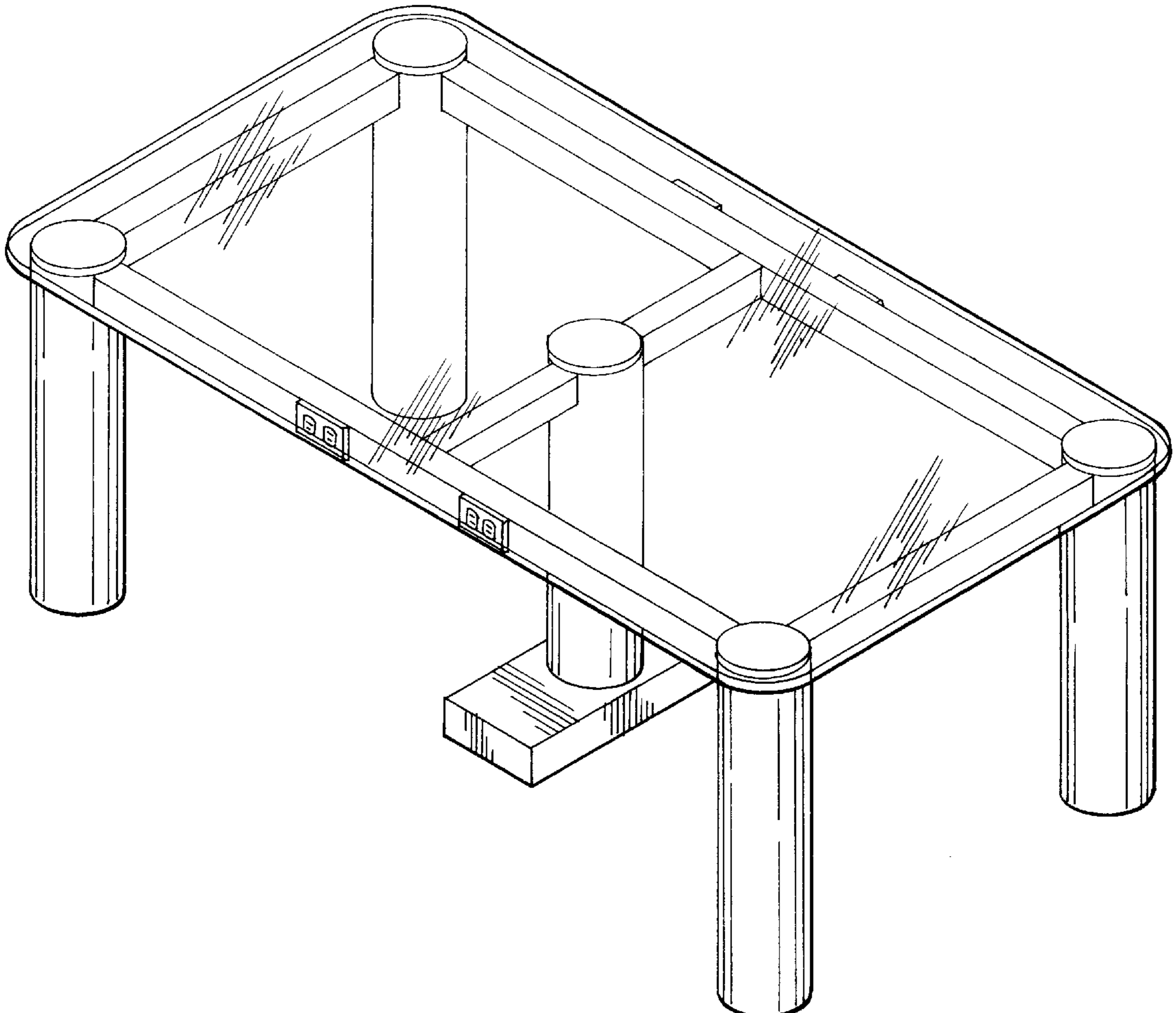
(57) **CLAIM**

The ornamental design for conference table, substantially as shown and described.

DESCRIPTION

FIG. 1 is a perspective view of a conference table with a transparent table surface showing my new design;
 FIG. 2 is a left side view thereof; the right side view thereof being a mirror image and symmetrical to the left side view thereof;
 FIG. 3 is a front view thereof; the back view thereof being a mirror image and symmetrical to the front view thereof;
 FIG. 4 is a top plan view thereof; and,
 FIG. 5 is a bottom view thereof.

1 Claim, 3 Drawing Sheets



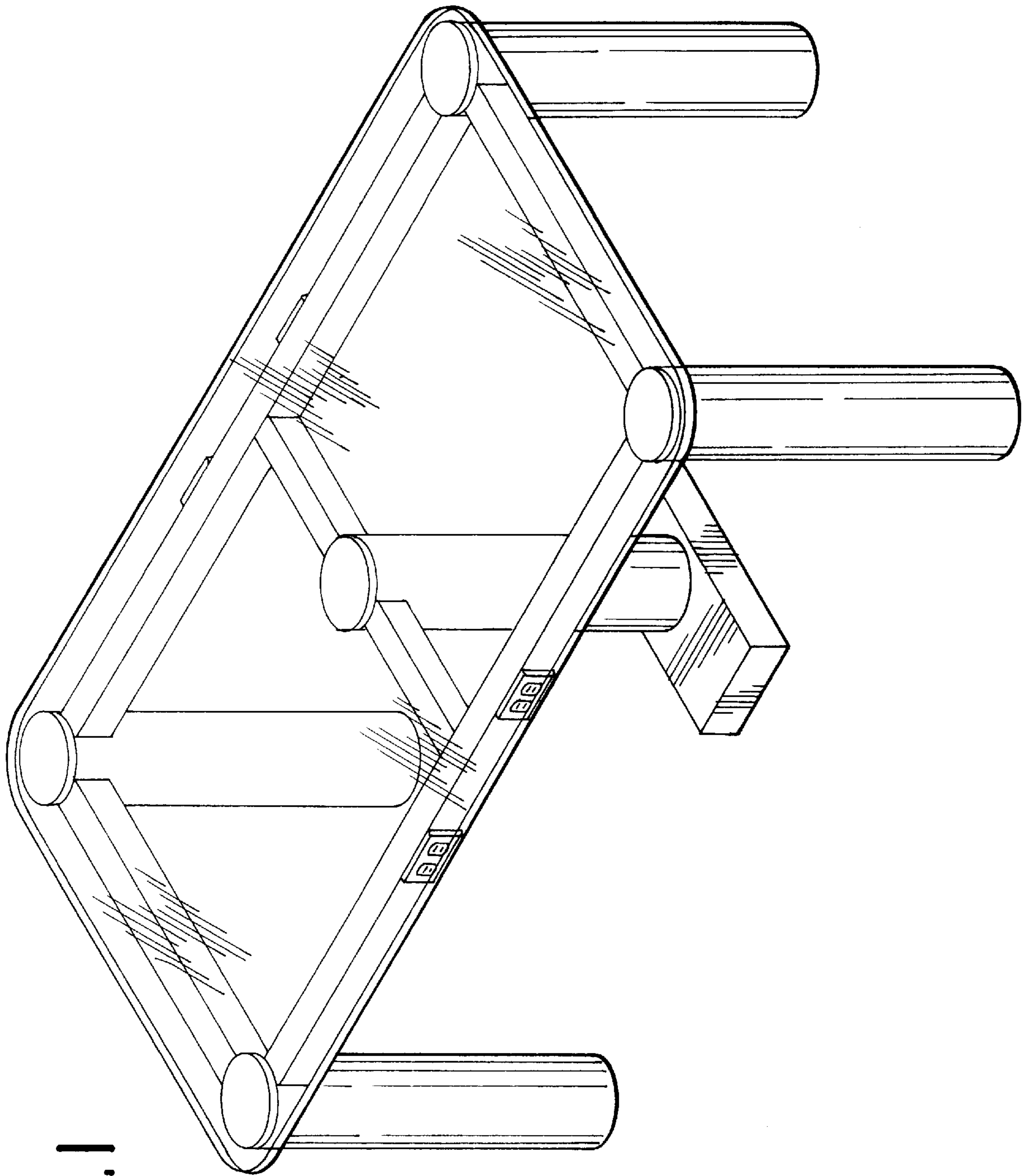


FIG. 1

FIG.2

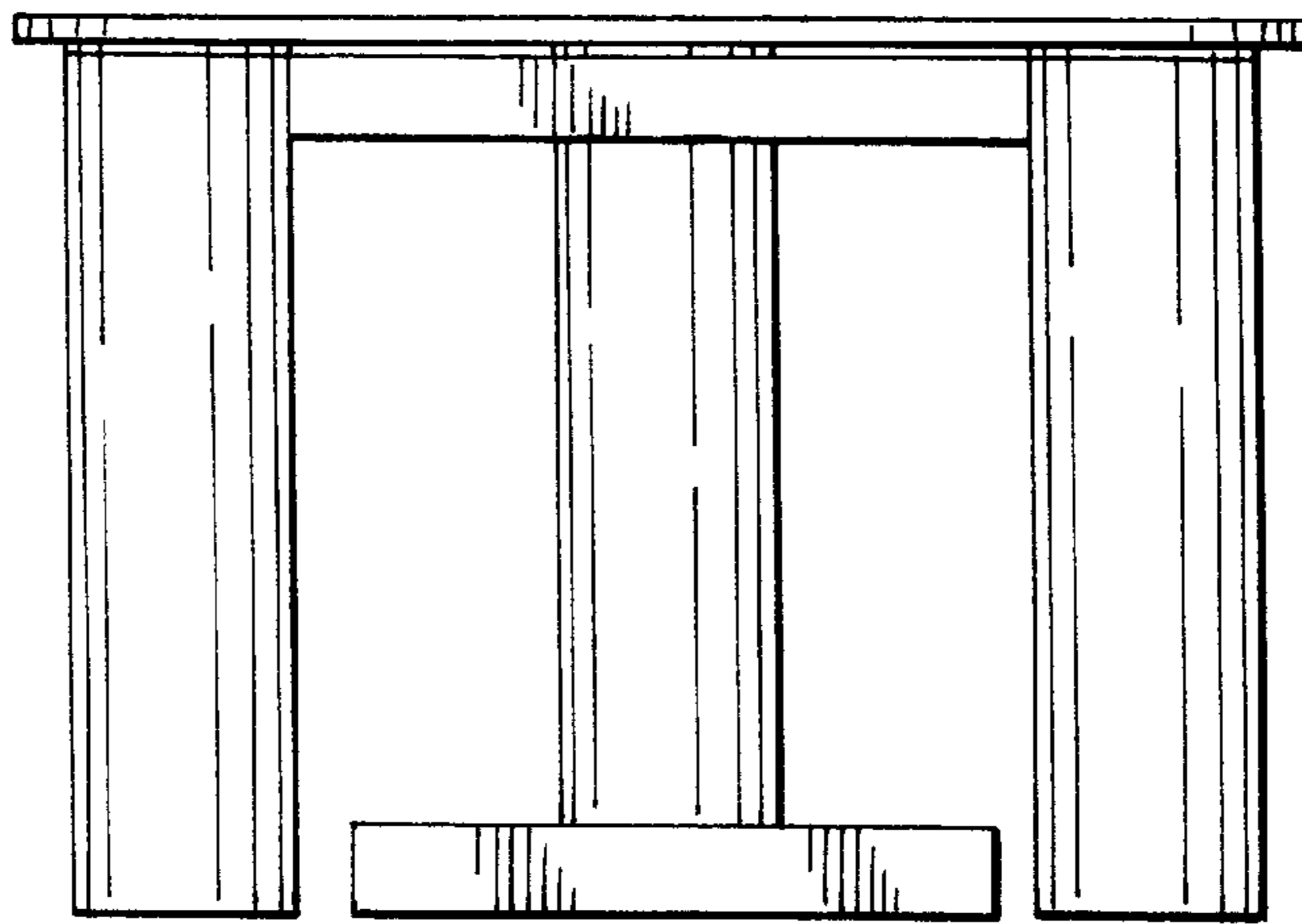


FIG.3

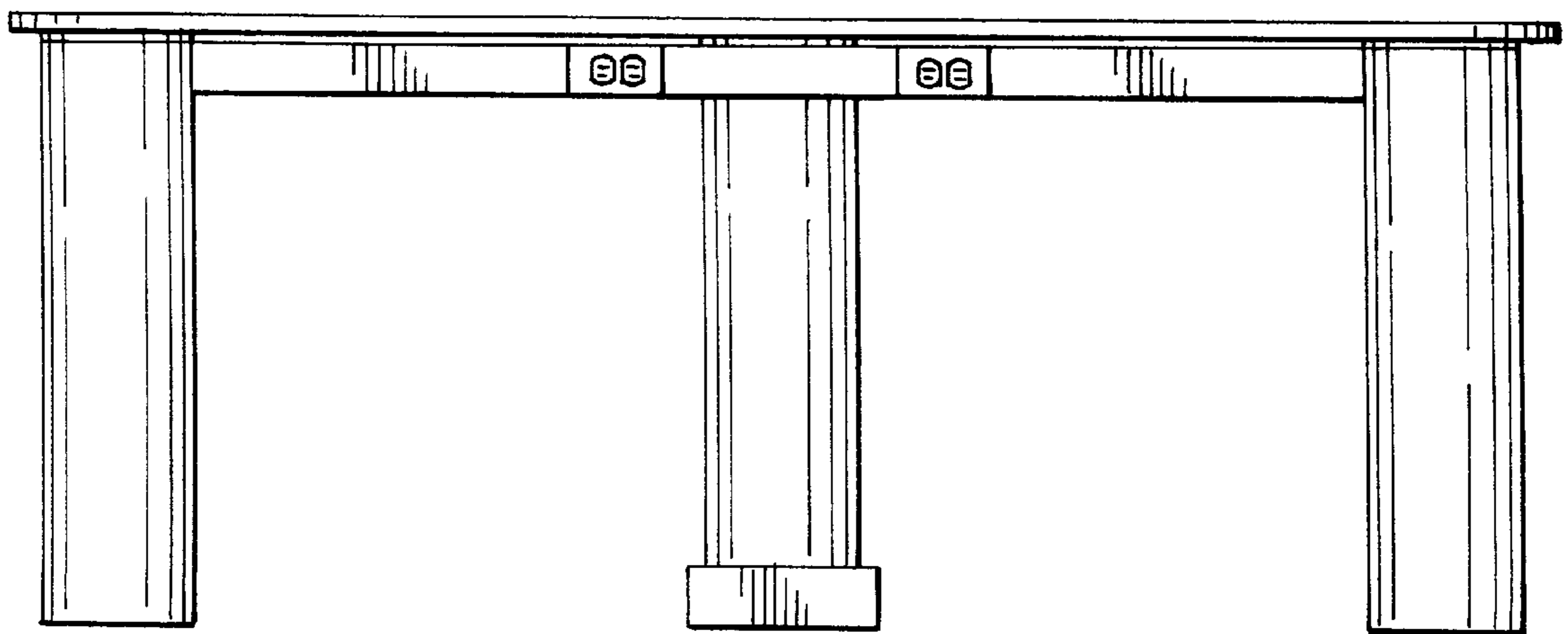


FIG.4

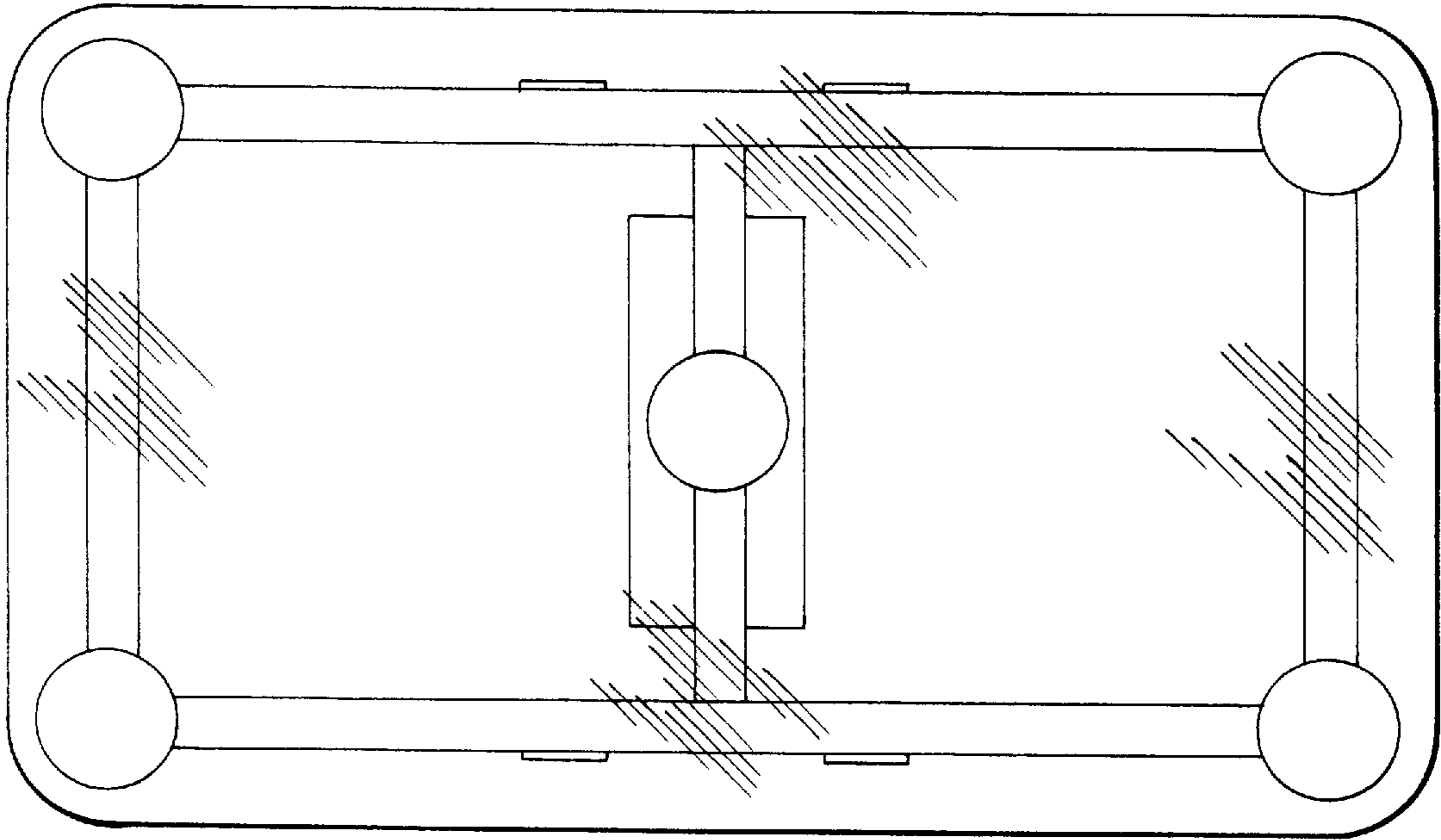


FIG.5

