



US00D449184B1

(12) **United States Design Patent**
Cain

(10) **Patent No.:** **US D449,184 S**

(45) **Date of Patent:** **** Oct. 16, 2001**

(54) **TABLE**

(75) Inventor: **Charles C. Cain**, High Point, NC (US)

(73) Assignee: **Thomasville Furniture Industries, Inc.**, Thomasville, NC (US)

(**) Term: **14 Years**

(21) Appl. No.: **29/136,709**

(22) Filed: **Feb. 6, 2001**

(51) **LOC (7) Cl.** **06-03**

(52) **U.S. Cl.** **D6/477; D6/484**

(58) **Field of Search** D6/480-489, 495-499,
D6/511, 477, 479; 108/153.1, 156, 157.1,
161; 248/188, 188.1, 188.8, 188.7

(56) **References Cited**

U.S. PATENT DOCUMENTS

D. 363,622	10/1995	Walters, III et al.	D6/477
D. 396,767	* 8/1998	Blaay	D6/477
D. 396,973	* 8/1998	Blaay	D6/477
D. 433,849	11/2000	Walters, III et al.	D6/484

OTHER PUBLICATIONS

Belle Rose Demi-Lune Console (bottom shelf), River Roads Collection, Thomasville Furniture Industries, Inc., p. 20, 1998.

Cocktail Table, Fascination II Collection, Thomasville Furniture Industries, Inc., p. 8, 1992.

* cited by examiner

Primary Examiner—Janice E. Seeger

(74) *Attorney, Agent, or Firm*—Womble Carlyle Sandridge & Rice, PLLC

(57) **CLAIM**

The ornamental design for a table, as shown and described.

DESCRIPTION

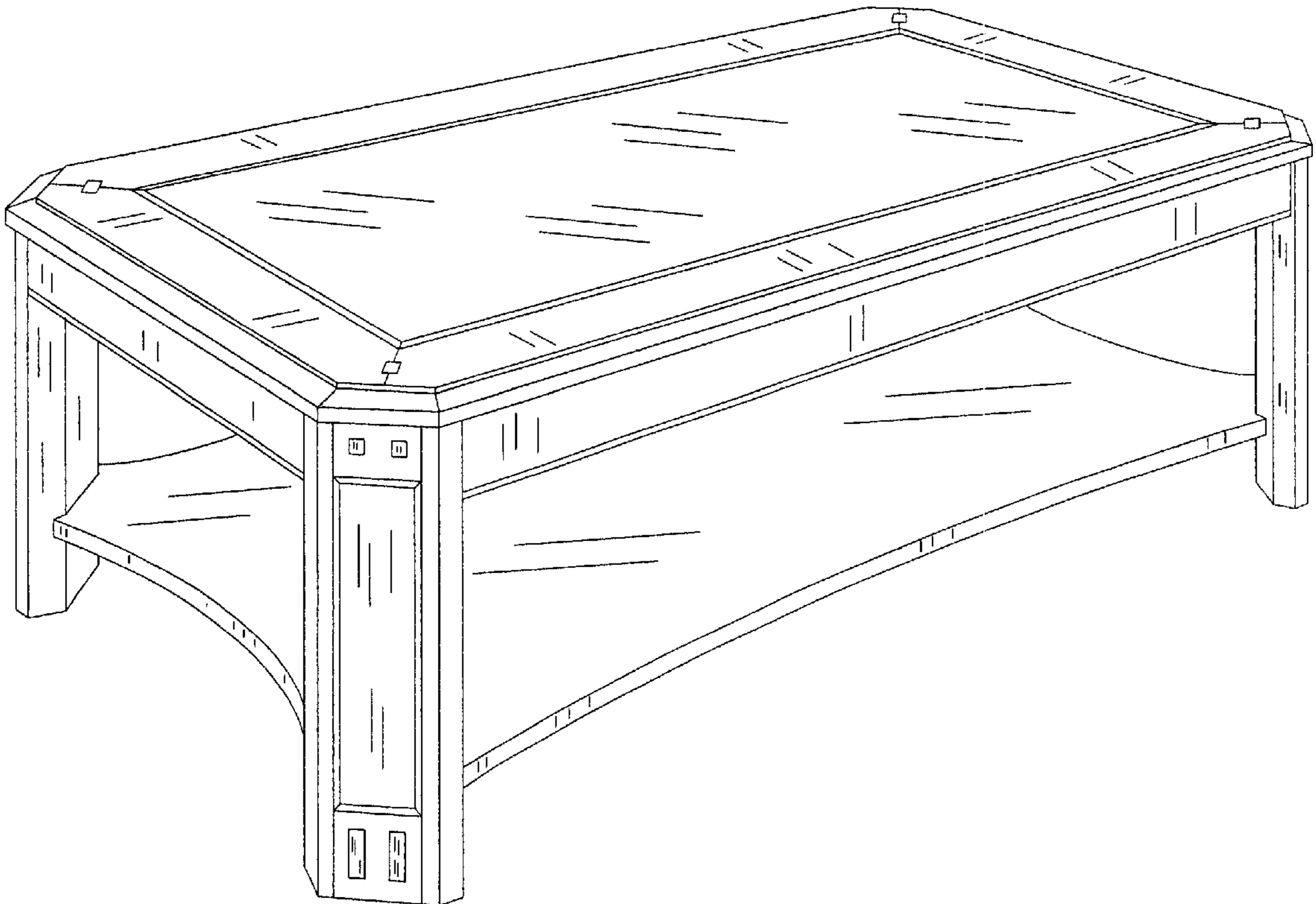
FIG. 1 is a left front perspective view of a table showing my new design;

FIG. 2 is a front elevational view thereof;

FIG. 3 is an end elevational view thereof; and,

FIG. 4 is a top view thereof.

1 Claim, 4 Drawing Sheets



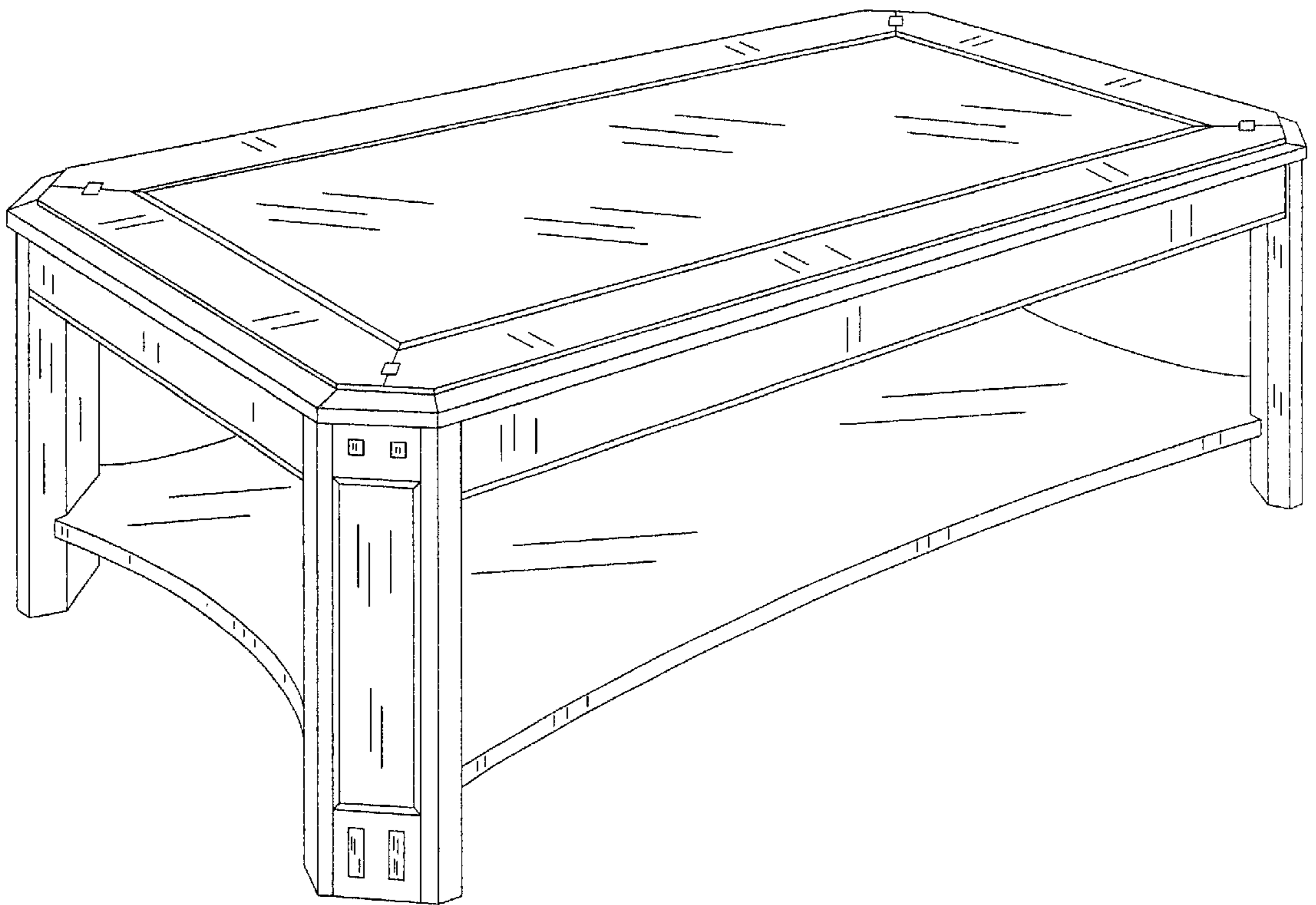


FIG. 1

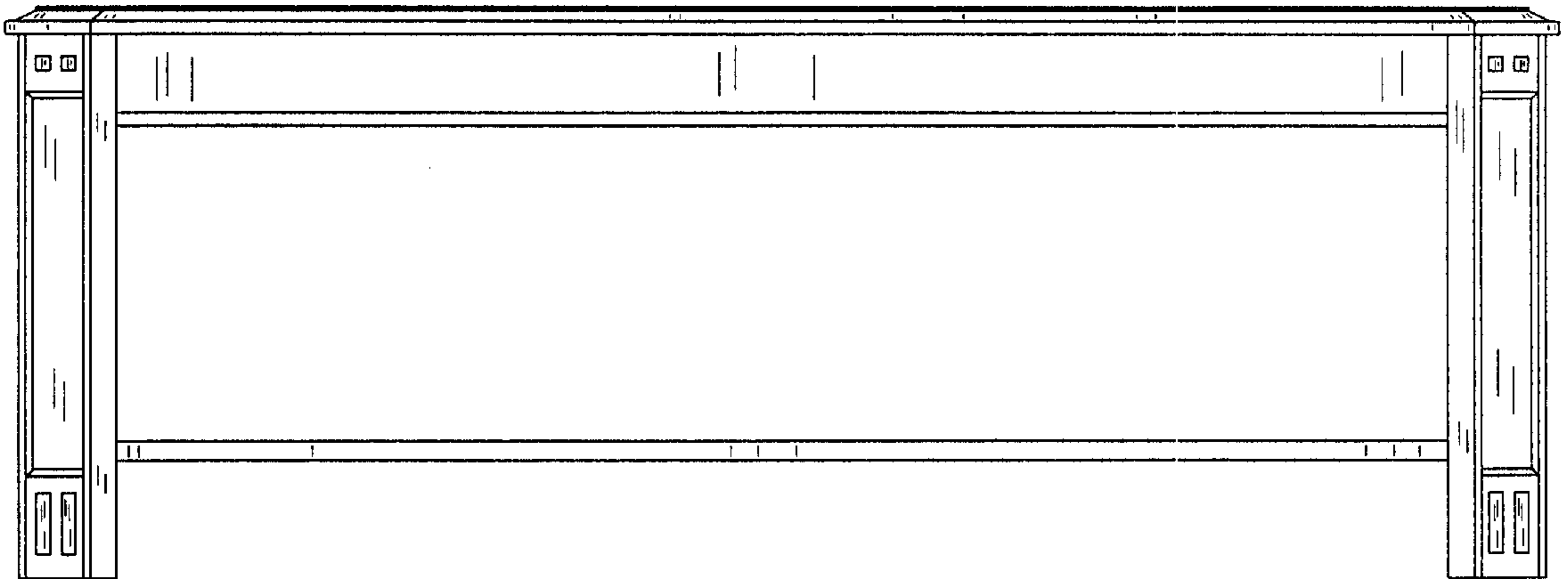


FIG. 2

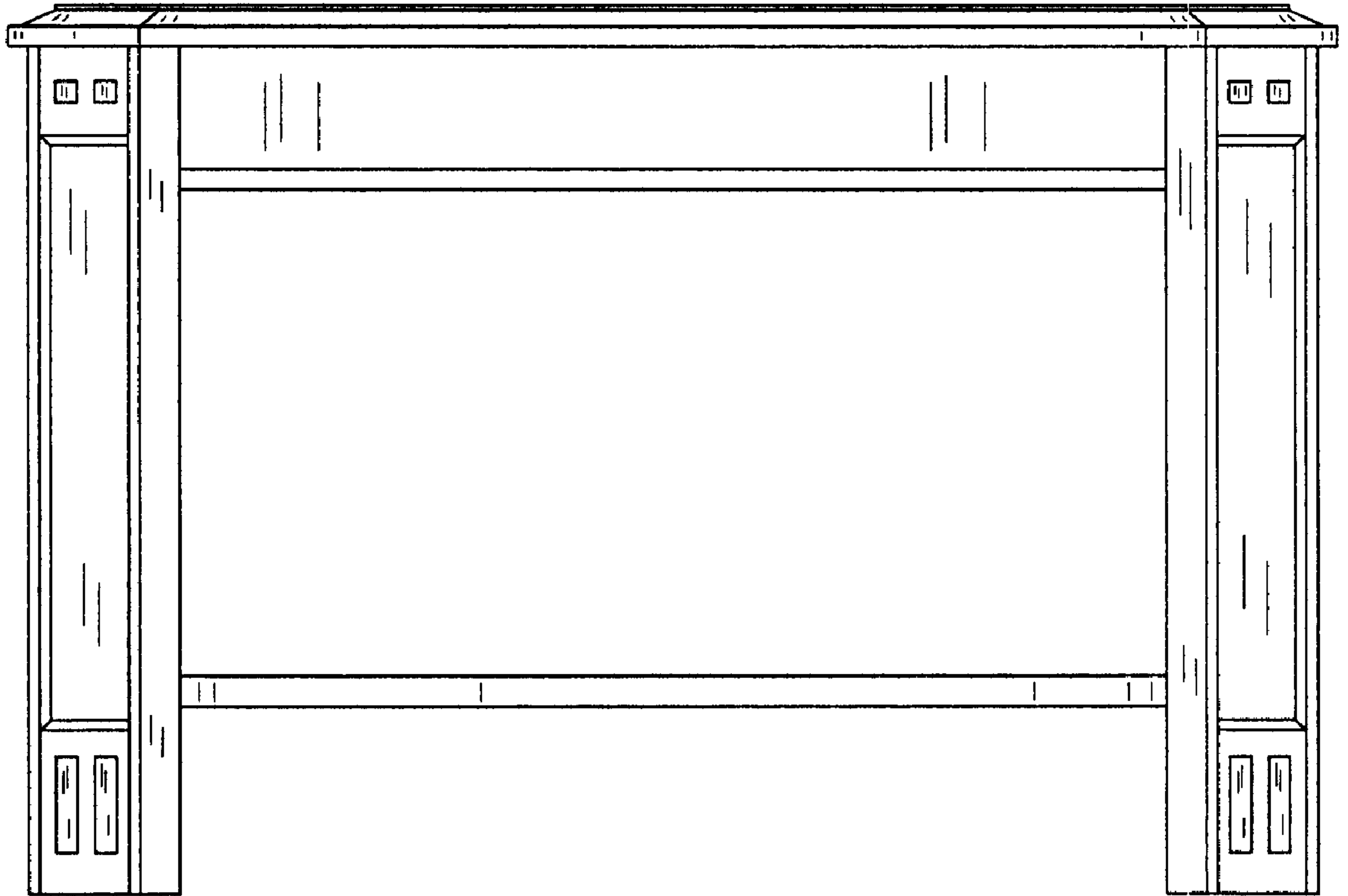


FIG. 3

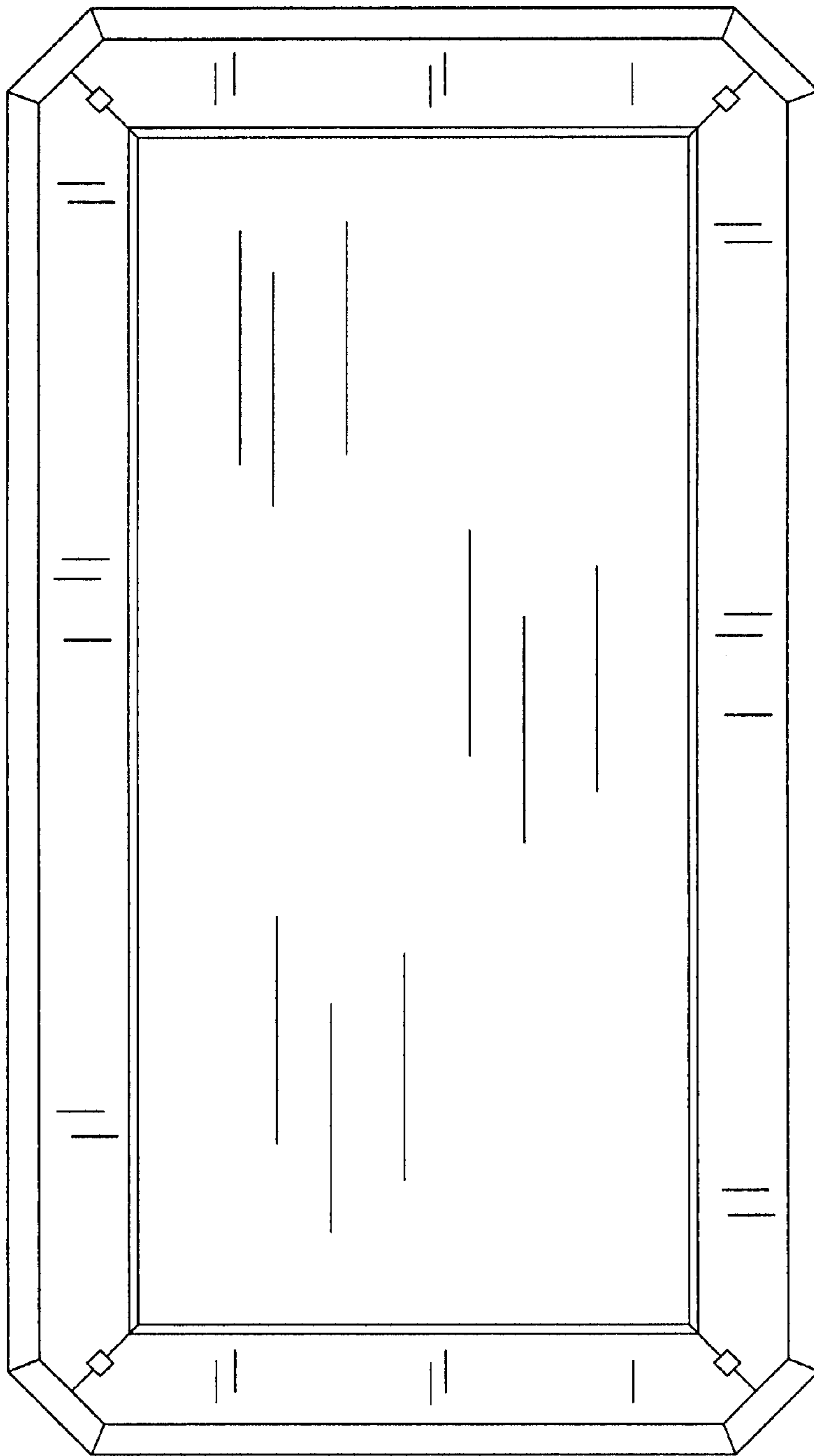


FIG. 4