



US00D449173B1

(12) **United States Design Patent**
Chang

(10) **Patent No.:** **US D449,173 S**

(45) **Date of Patent:** **** Oct. 16, 2001**

(54) **CHAIR**

(76) **Inventor:** **Chien-Kuo Chang**, Fl. 10-2, No. 447,
Sec. 3, Wen-Hsin Rd, Taichung (TW)

(**) **Term:** **14 Years**

(21) **Appl. No.:** **29/133,631**

(22) **Filed:** **Dec. 5, 2000**

(51) **LOC (7) Cl.** **06-01**

(52) **U.S. Cl.** **D6/366**

(58) **Field of Search** D6/334, 364, 365,
D6/366, 367, 500, 501, 502; 297/411.2,
411.27

(56) **References Cited**

U.S. PATENT DOCUMENTS

D. 346,279	*	4/1994	Stumpf et al.	D6/366
D. 410,799	*	6/1999	Meda	D6/366
D. 423,259	*	4/2000	Grove	D6/500
D. 431,400	*	10/2000	Grove	D6/500

D. 431,402	*	10/2000	Wang	D6/501
D. 436,456	*	1/2001	Neil	D6/366
D. 437,497	*	2/2001	Bräuning	D6/366
D. 440,419	*	4/2001	Röder	D6/366

* cited by examiner

Primary Examiner—Gary D. Watson

(74) *Attorney, Agent, or Firm*—Rosenberg, Klein & Lee

(57) **CLAIM**

The ornamental design for chair, as shown and described.

DESCRIPTION

FIG. 1 is a perspective view of chair showing my new design;

FIG. 2 is a front elevational view thereof;

FIG. 3 is a rear elevational view thereof;

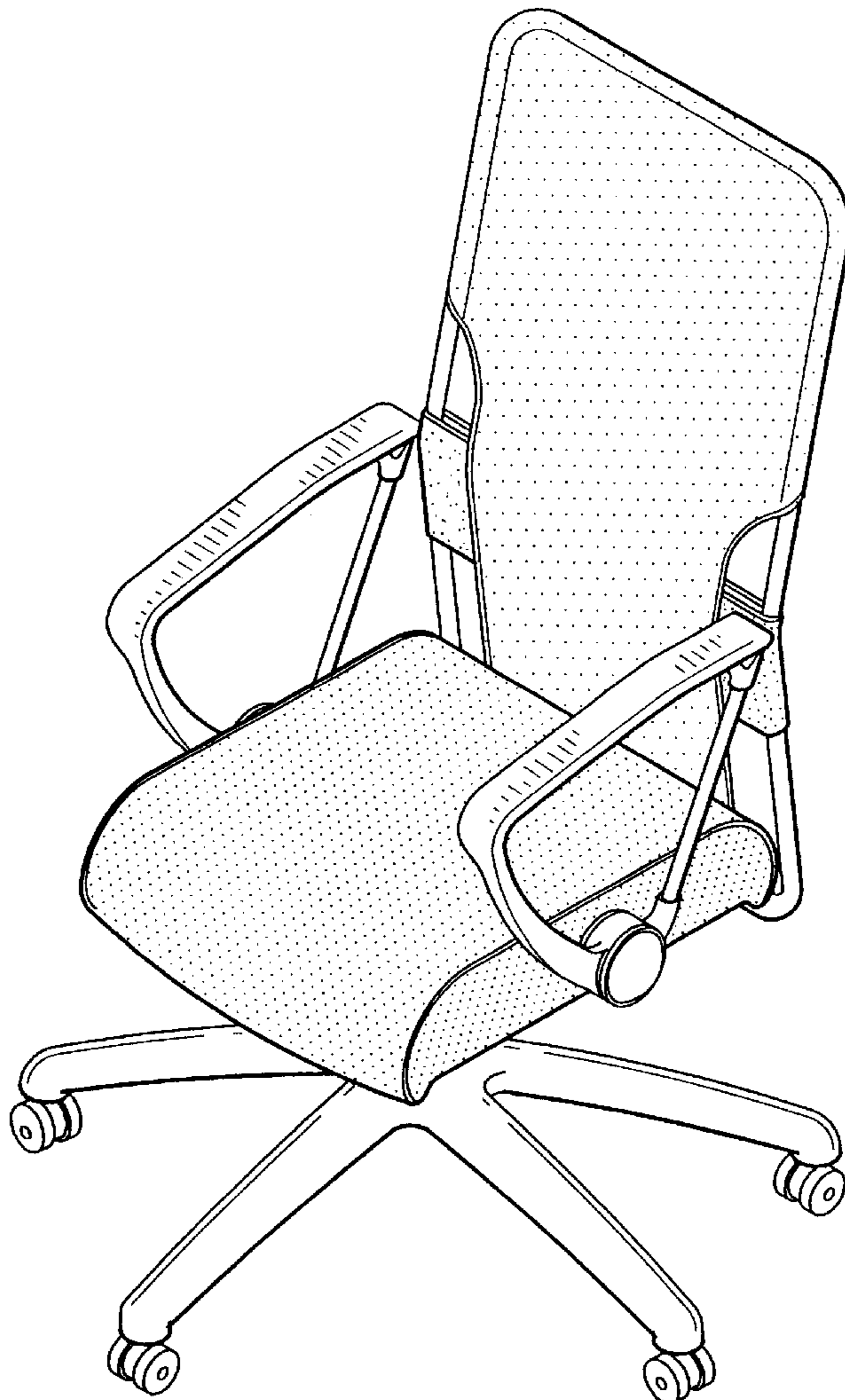
FIG. 4 is a left side elevational view thereof;

FIG. 5 is a right side elevational view thereof;

FIG. 6 is a top side elevational view thereof; and,

FIG. 7 is a bottom side elevational view thereof.

1 Claim, 6 Drawing Sheets



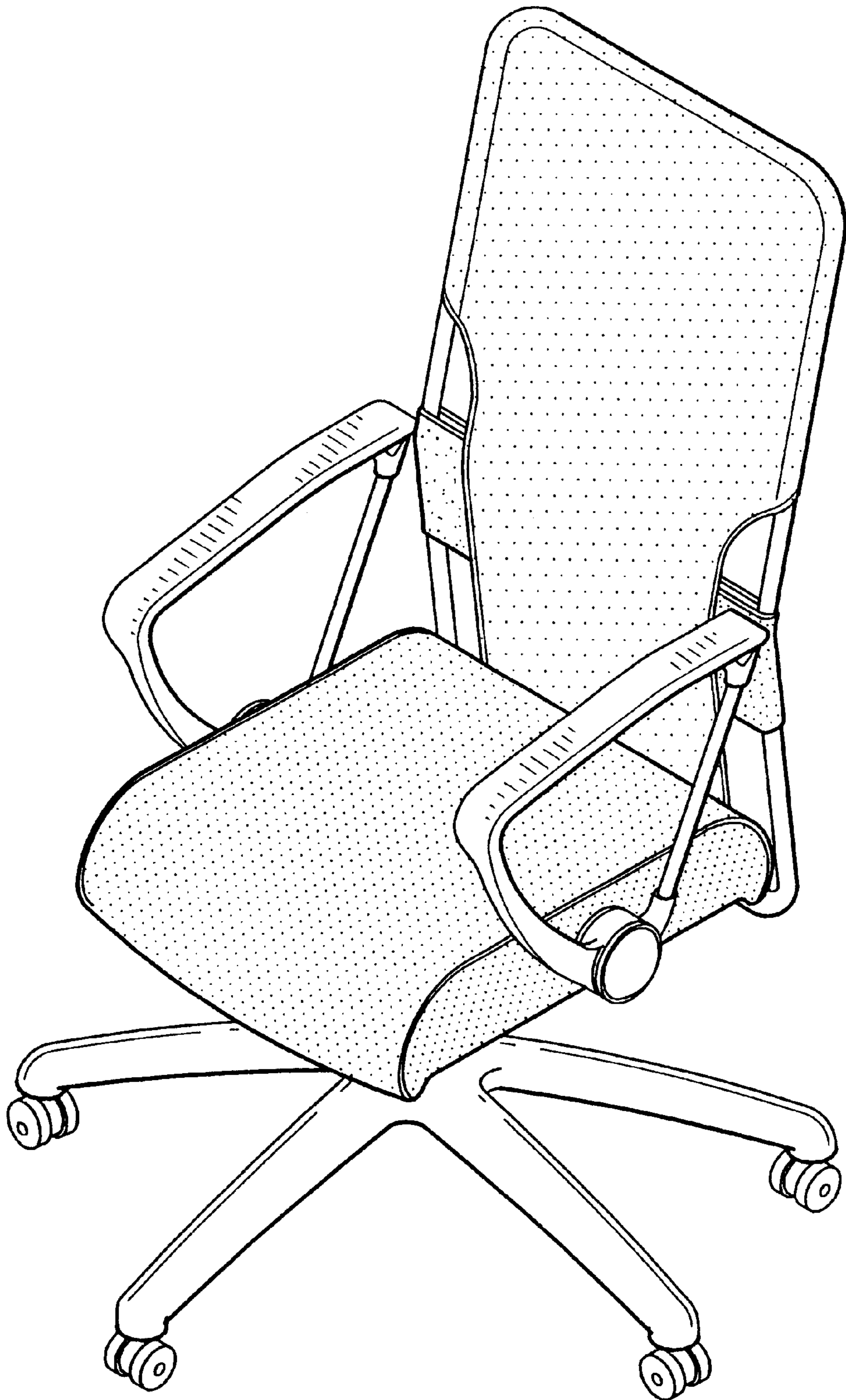


FIG. 1

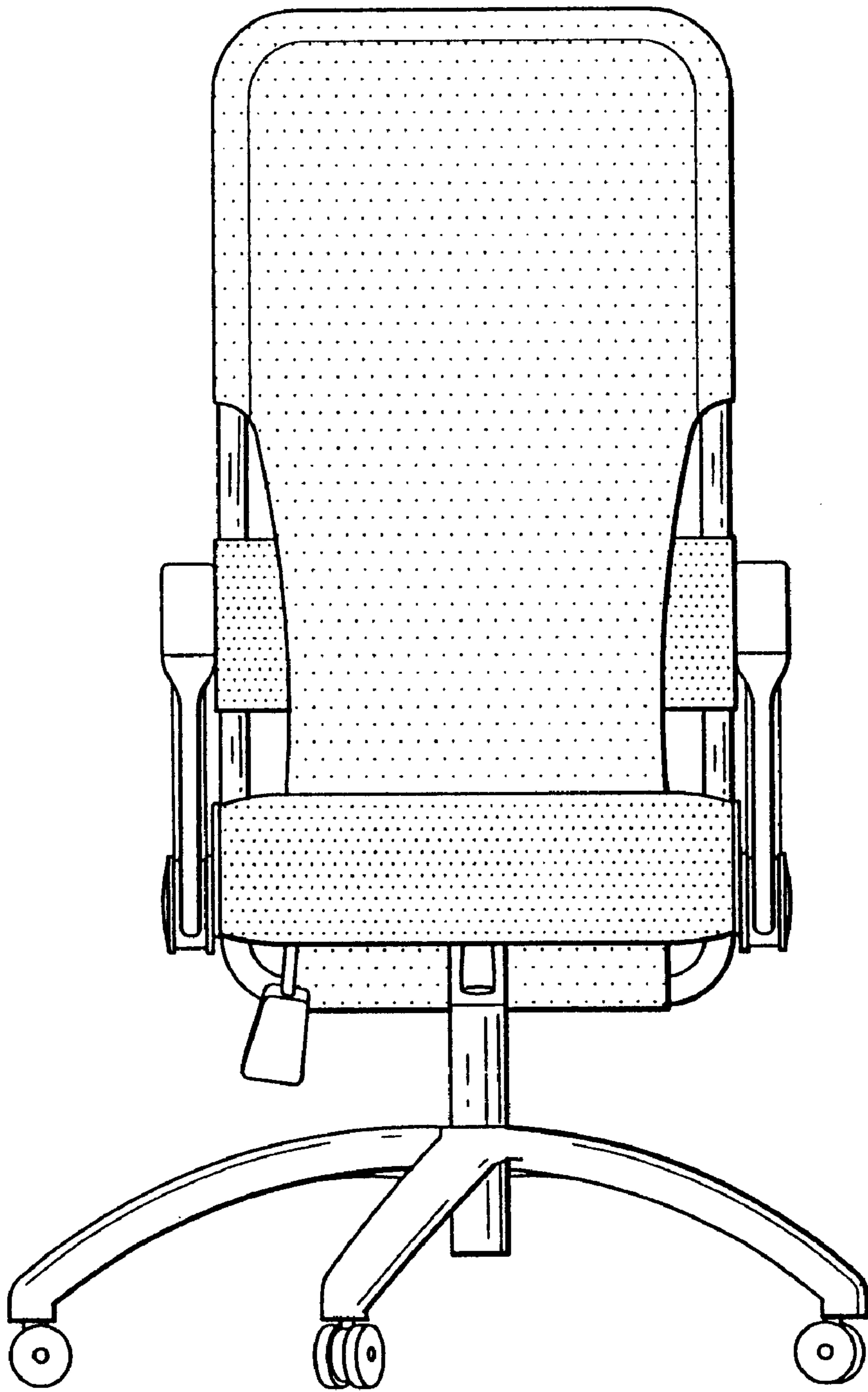


FIG. 2

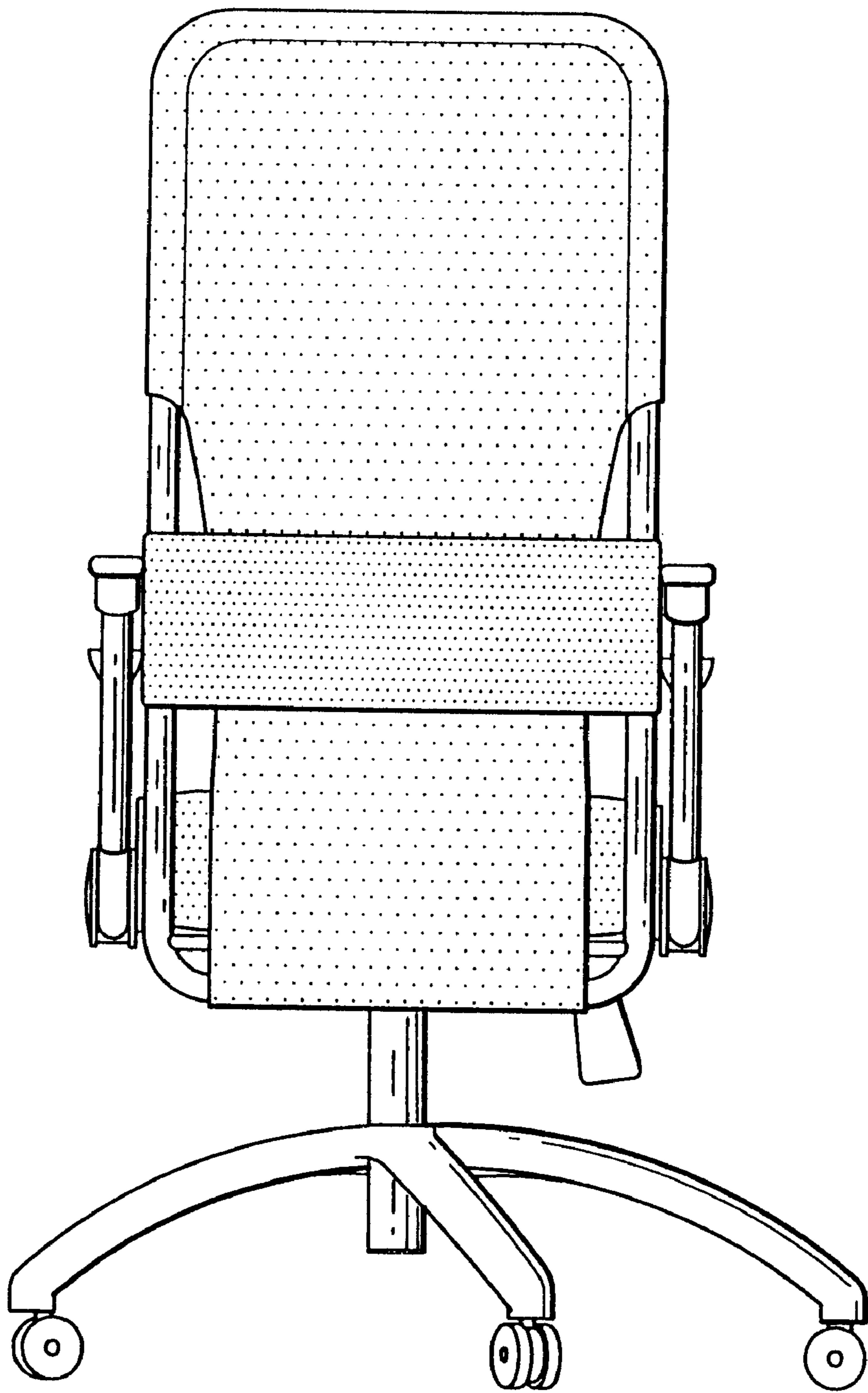


FIG. 3

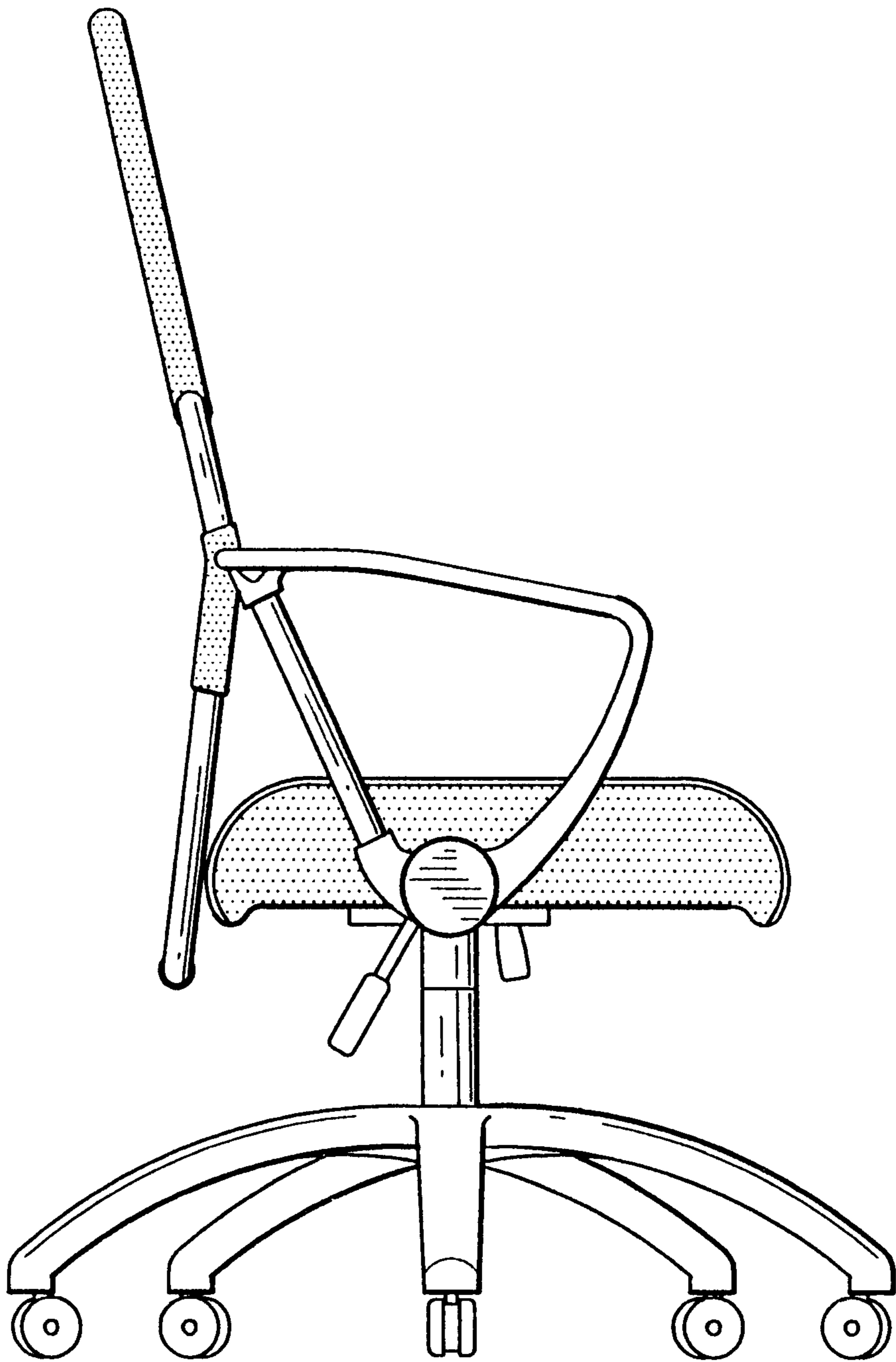


FIG. 4

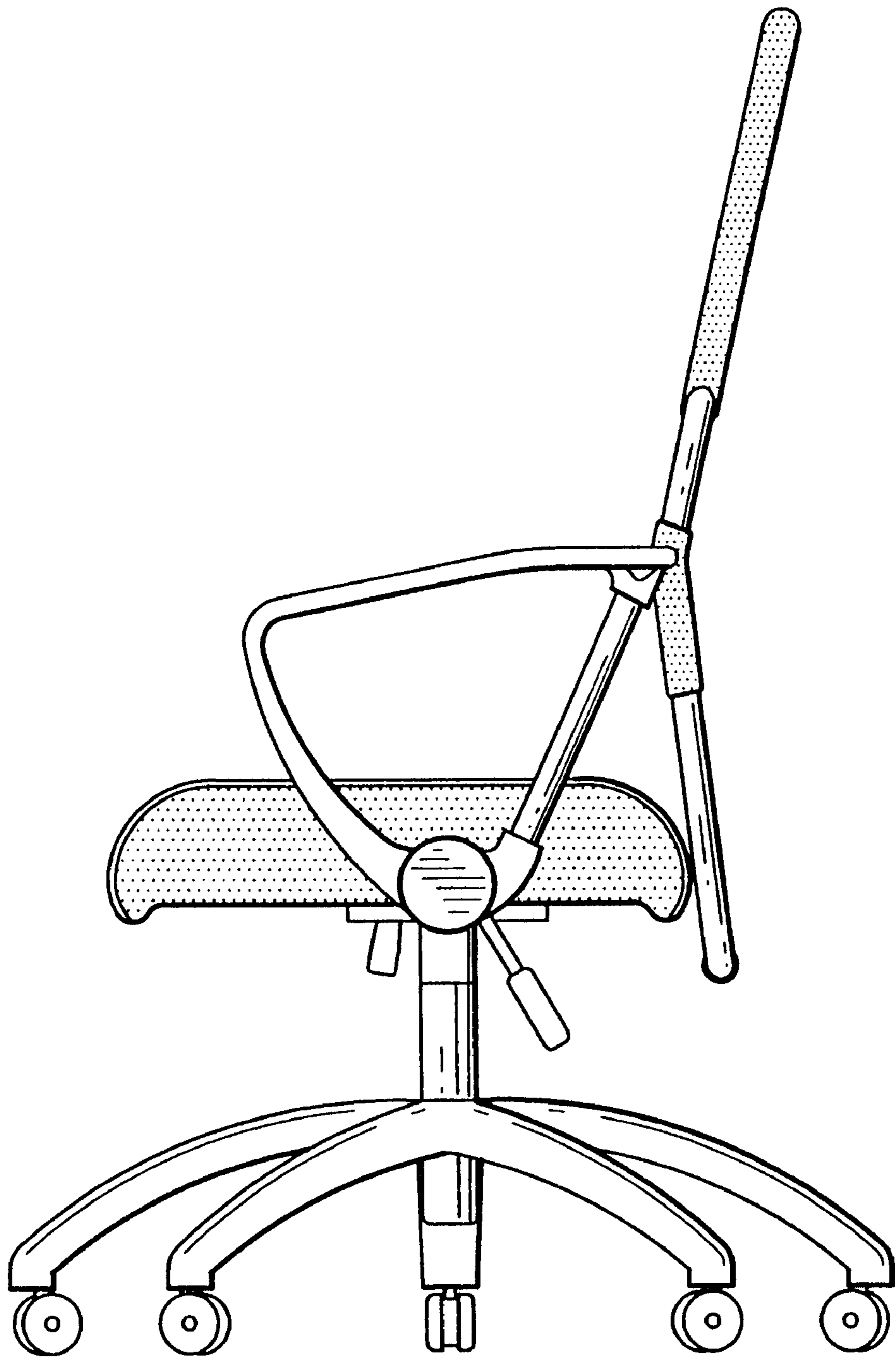


FIG. 5

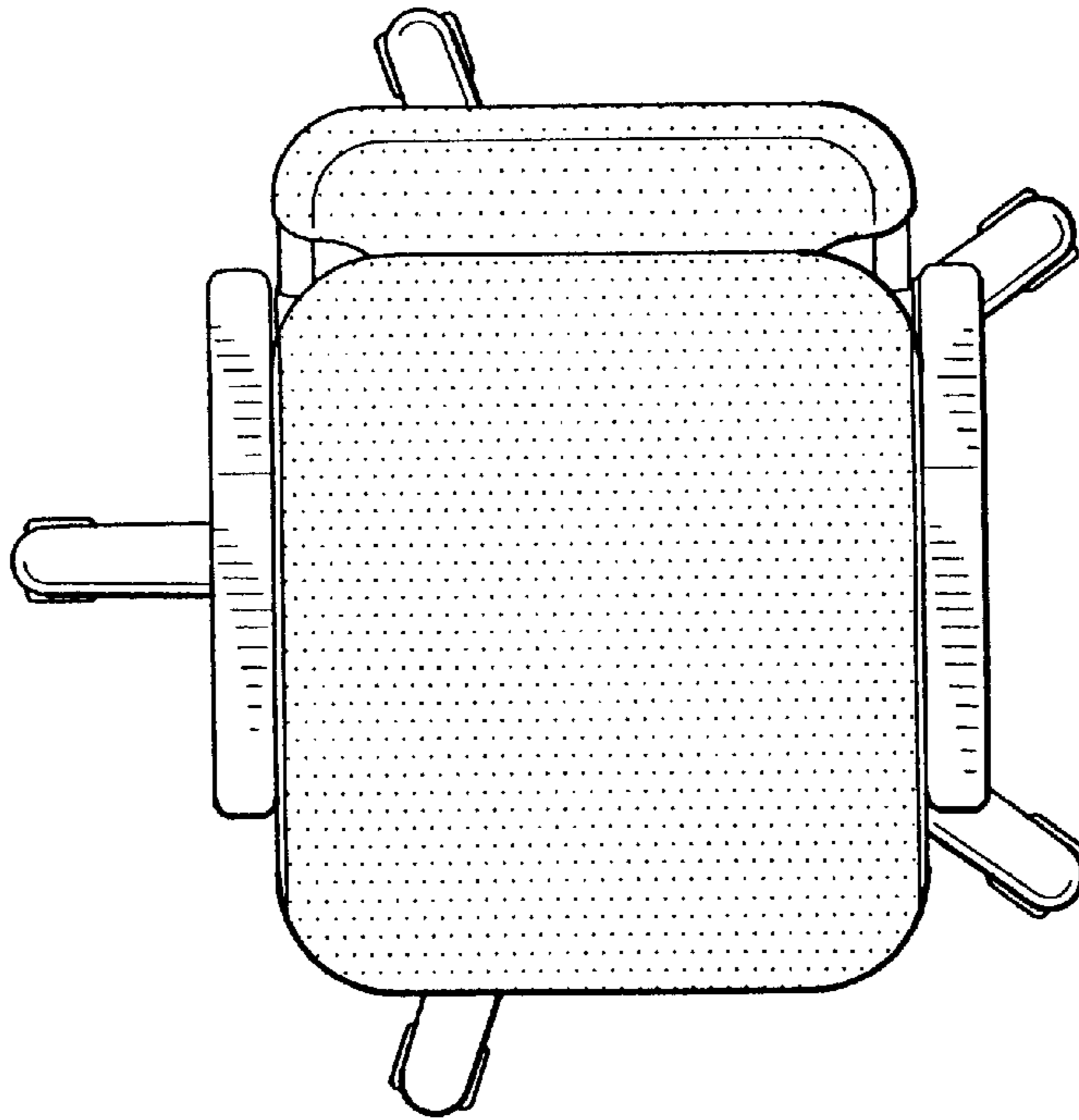


FIG. 6

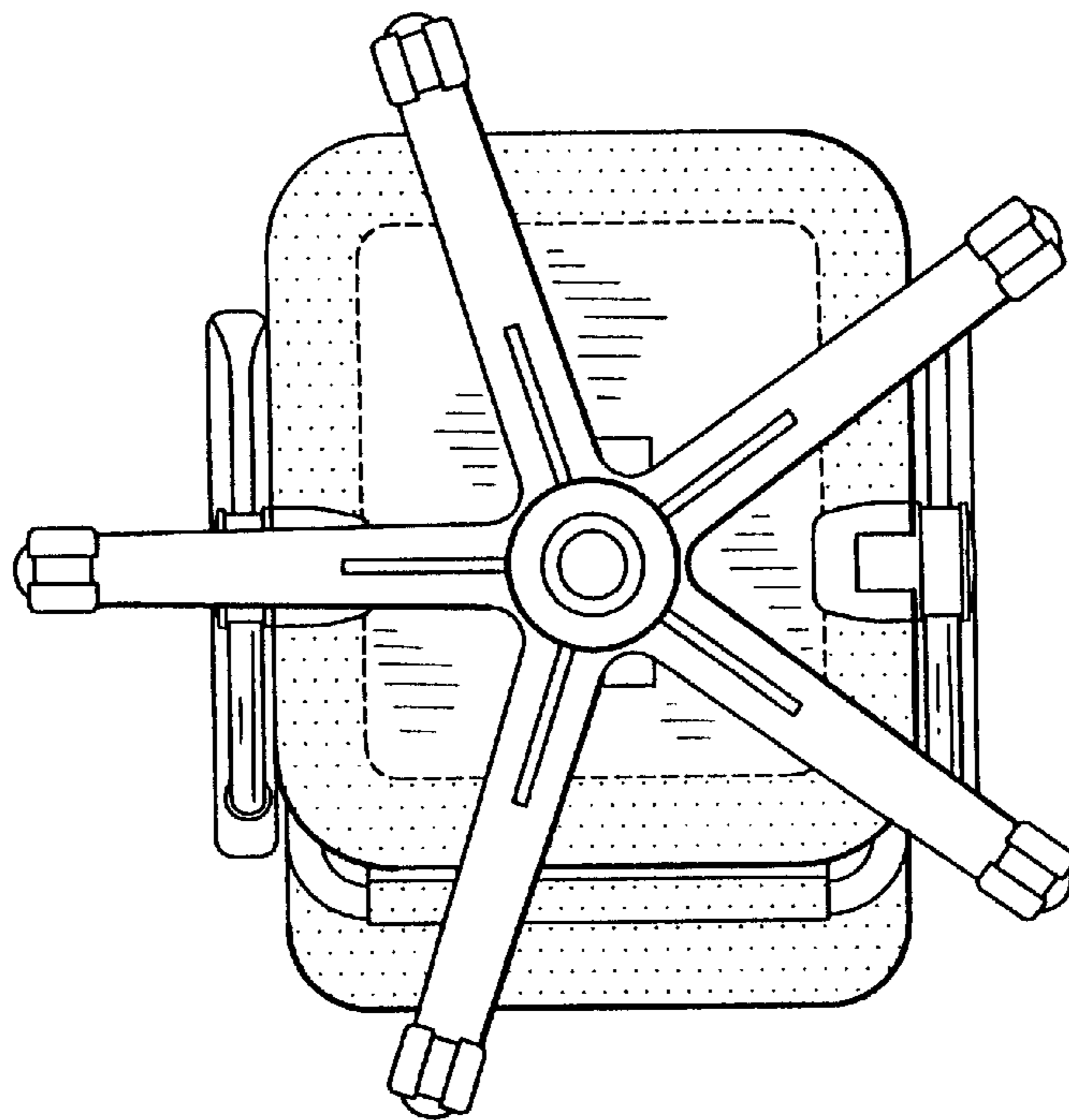


FIG. 7