



US00D449172B1

(12) **United States Design Patent**
Van De Riet et al.

(10) **Patent No.:** **US D449,172 S**

(45) **Date of Patent:** **** Oct. 16, 2001**

(54) **CHAIR**

(75) Inventors: **Douglas M. Van De Riet**, Holland;
Jeffrey R. Oberlin, Fruitport; **Jason W. Carpenter**, Wyoming, all of MI (US);
Jeff Weber, Minneapolis, MN (US);
Todd D. Krupiczewicz, Caledonia, MI (US)

(73) Assignee: **Herman Miller, Inc.**

(**) Term: **14 Years**

(21) Appl. No.: **29/123,670**

(22) Filed: **May 22, 2000**

(51) **LOC (7) Cl.** **06-01**

(52) **U.S. Cl.** **D6/366**

(58) **Field of Search** D6/334, 335, 364,
D6/365, 366, 367, 369, 500, 501, 502;
248/188.7; 297/411.2, 411.27, 411.28

(56) **References Cited**

U.S. PATENT DOCUMENTS

- D. 346,072 * 4/1994 Zapf D6/366
- D. 391,089 * 2/1998 Chu D6/366
- D. 401,453 * 11/1998 Holt D6/502
- D. 422,802 * 4/2000 Deacon D6/366

1,930,021 * 10/1933 Powell 248/188.7

* cited by examiner

Primary Examiner—Gary D. Watson

(74) *Attorney, Agent, or Firm*—Brinks, Hofer, Gilson & Lione

(57) **CLAIM**

The ornamental design for a chair, as shown.

DESCRIPTION

FIG. 1 is a perspective view of a first embodiment of a chair;
 FIG. 2 is a front view of the first embodiment;
 FIG. 3 is a right view of the first embodiment;
 FIG. 4 is a left view of the first embodiment;
 FIG. 5 is a rear view of the first embodiment;
 FIG. 6 is a top view of the first embodiment;
 FIG. 7 is a bottom view of the first embodiment;
 FIG. 8 is a perspective view of a second embodiment of the chair;
 FIG. 9 is a front view of the second embodiment;
 FIG. 10 is a right view of the second embodiment;
 FIG. 11 is a left view of the second embodiment;
 FIG. 12 is a rear view of the second embodiment;
 FIG. 13 is a top view of the second embodiment; and,
 FIG. 14 is a bottom view of the second embodiment.

1 Claim, 8 Drawing Sheets

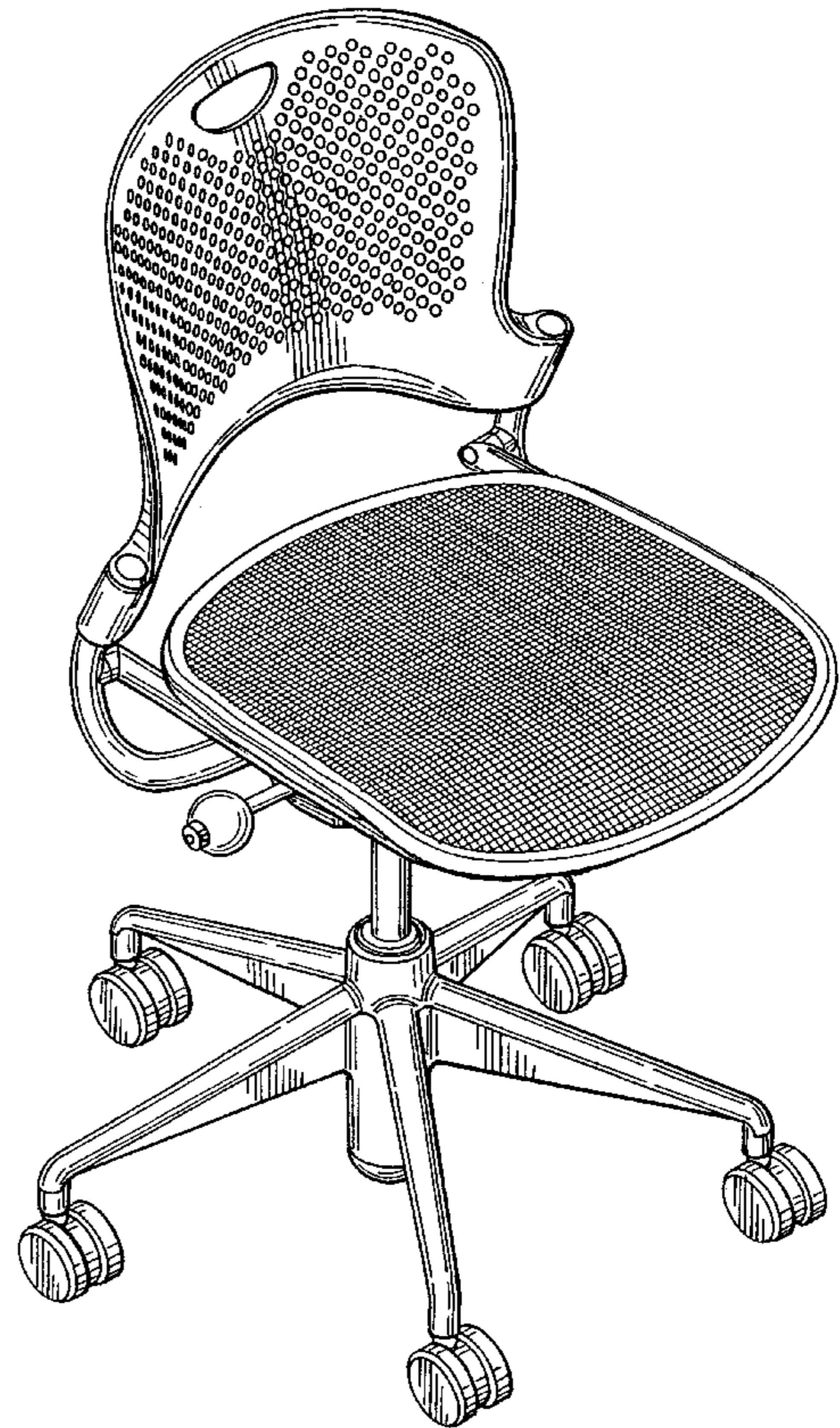
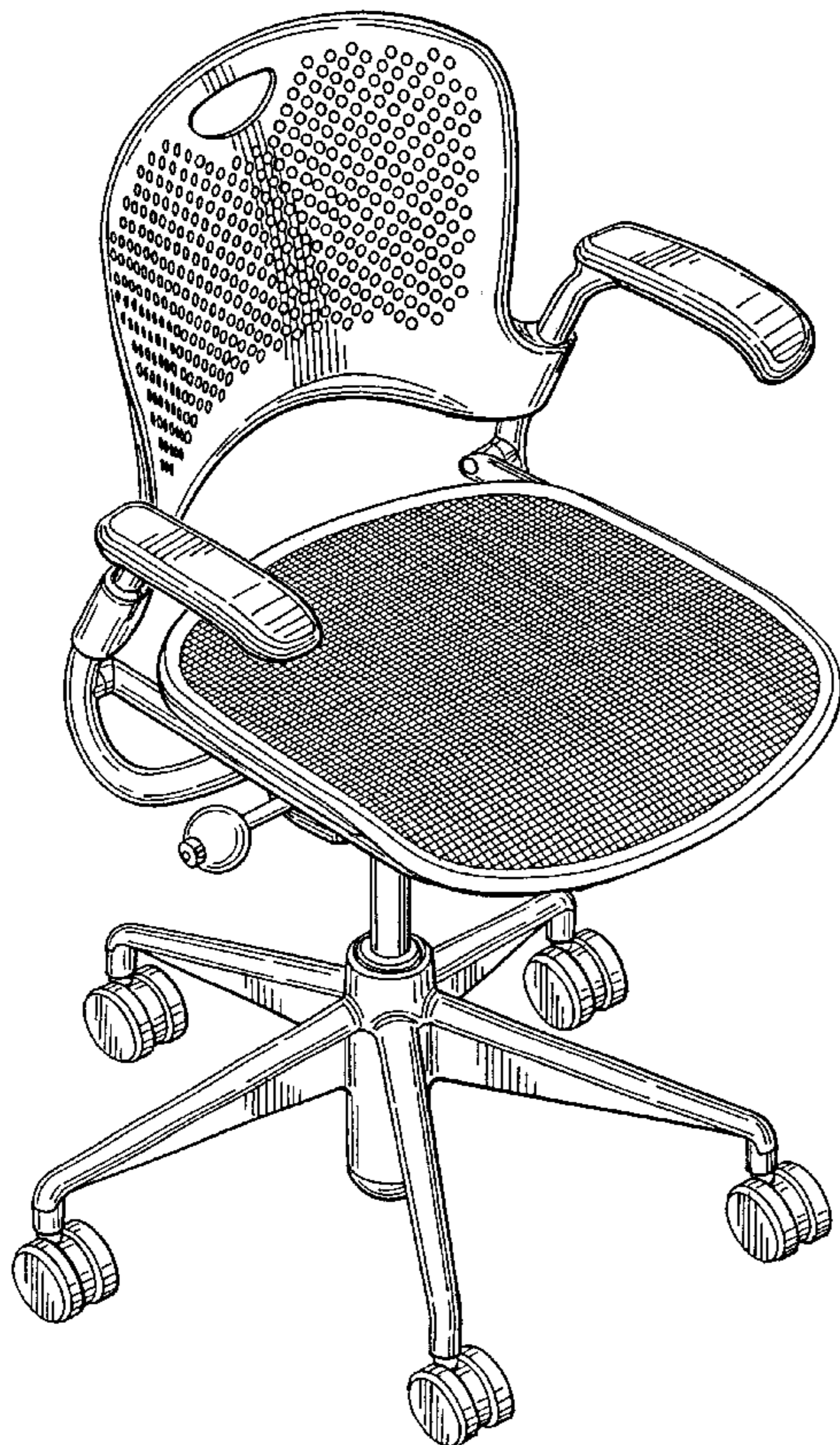
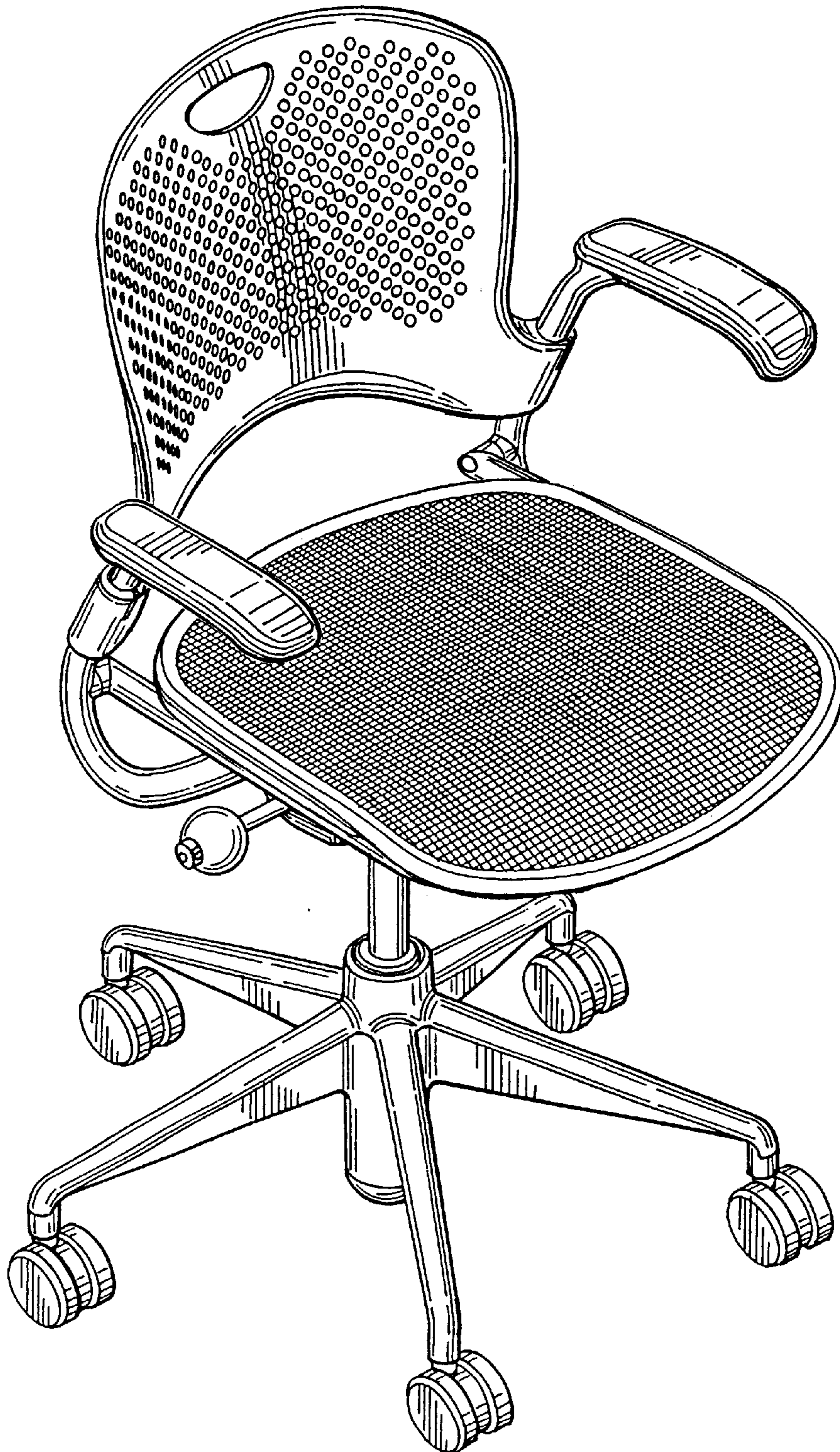


FIG. 1



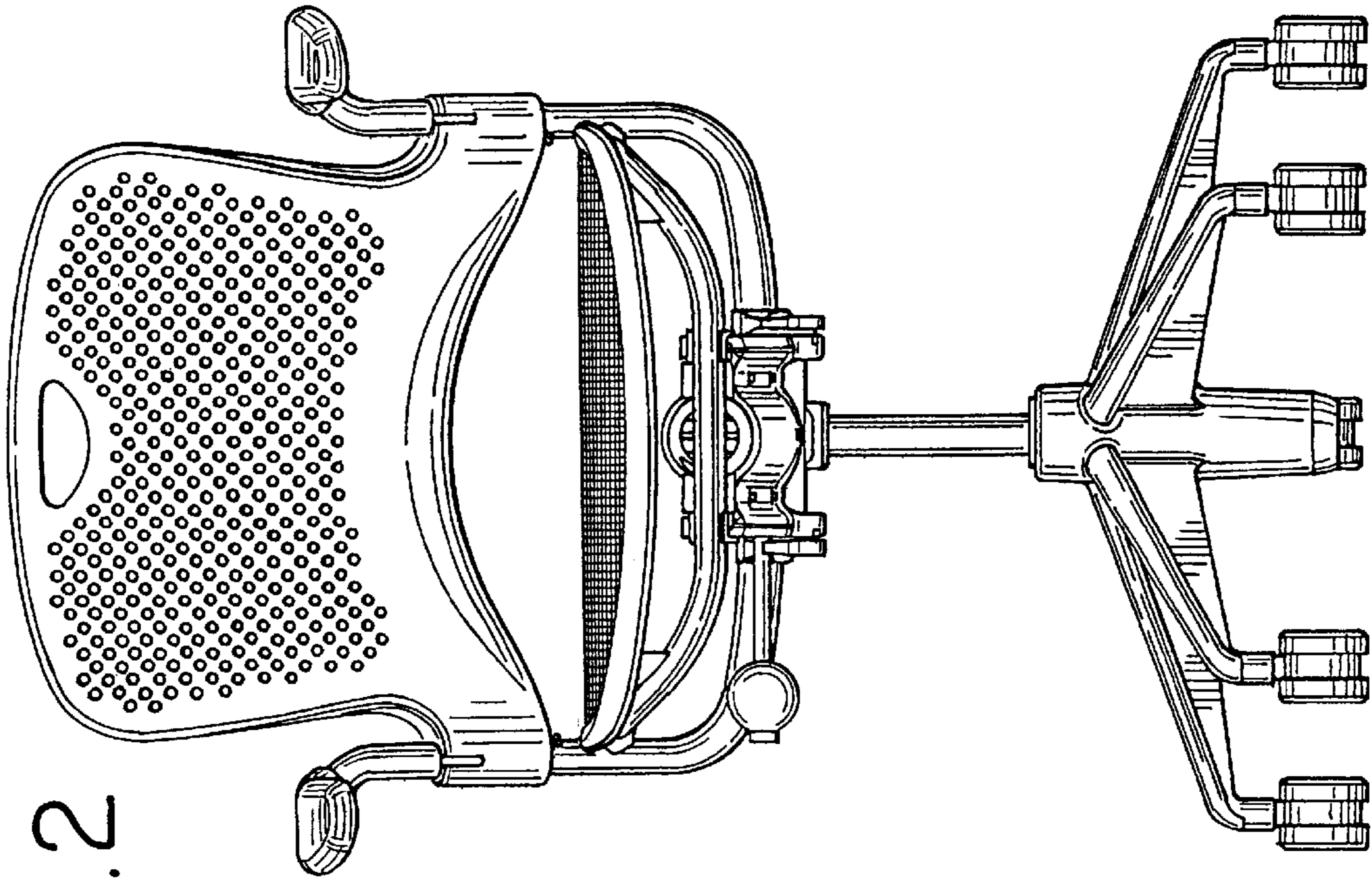


FIG. 2

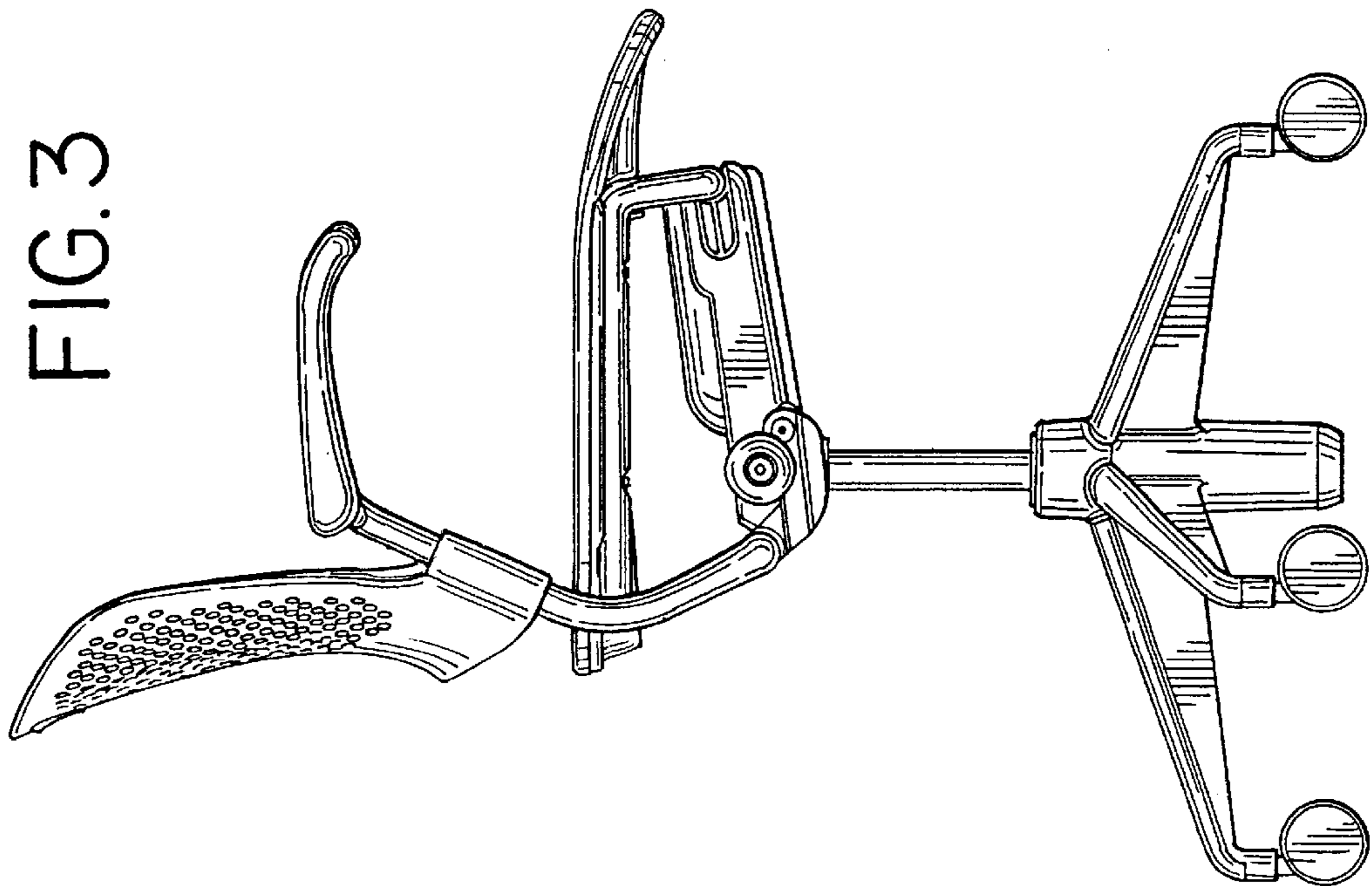


FIG. 3

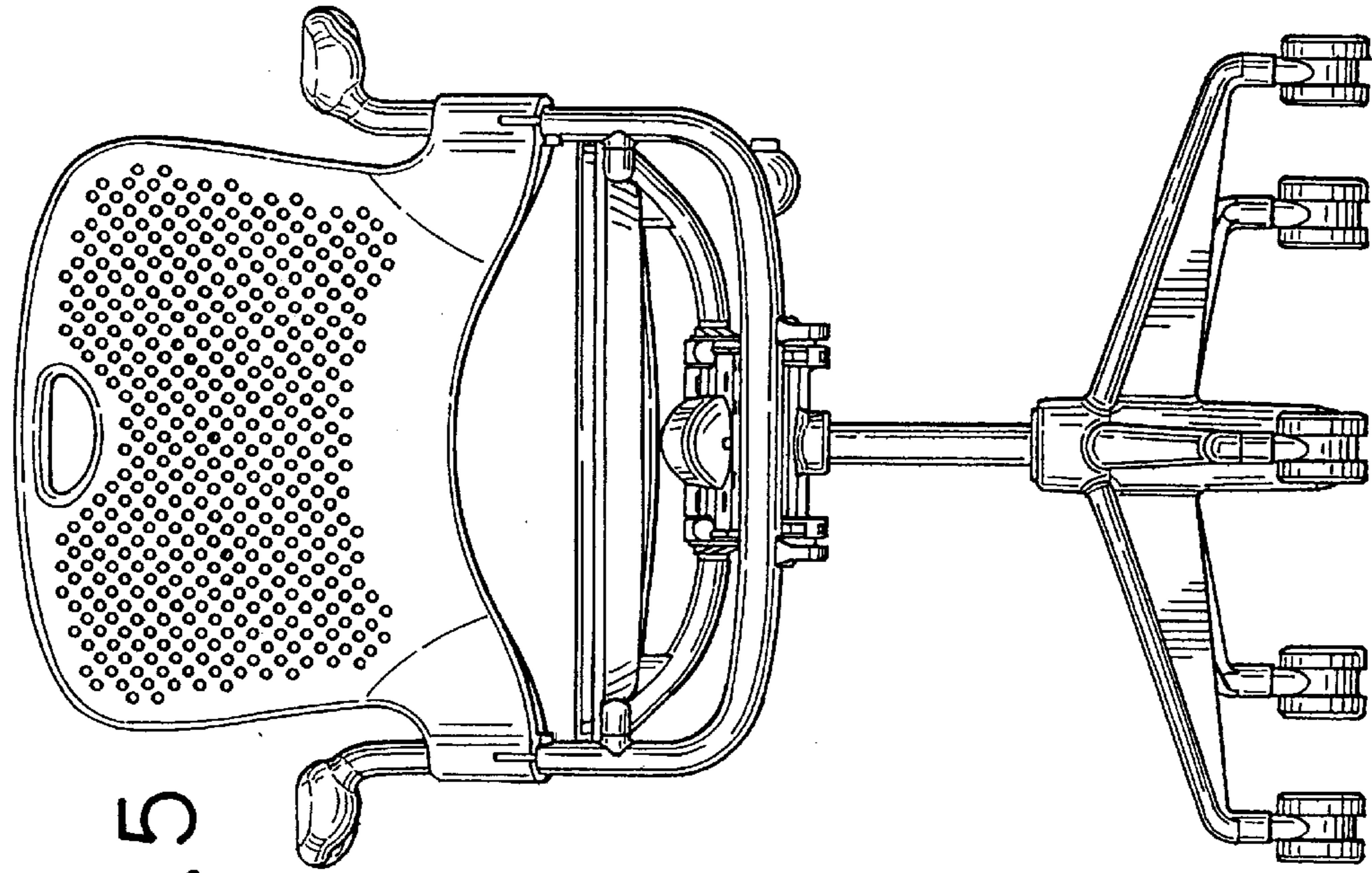


FIG. 5

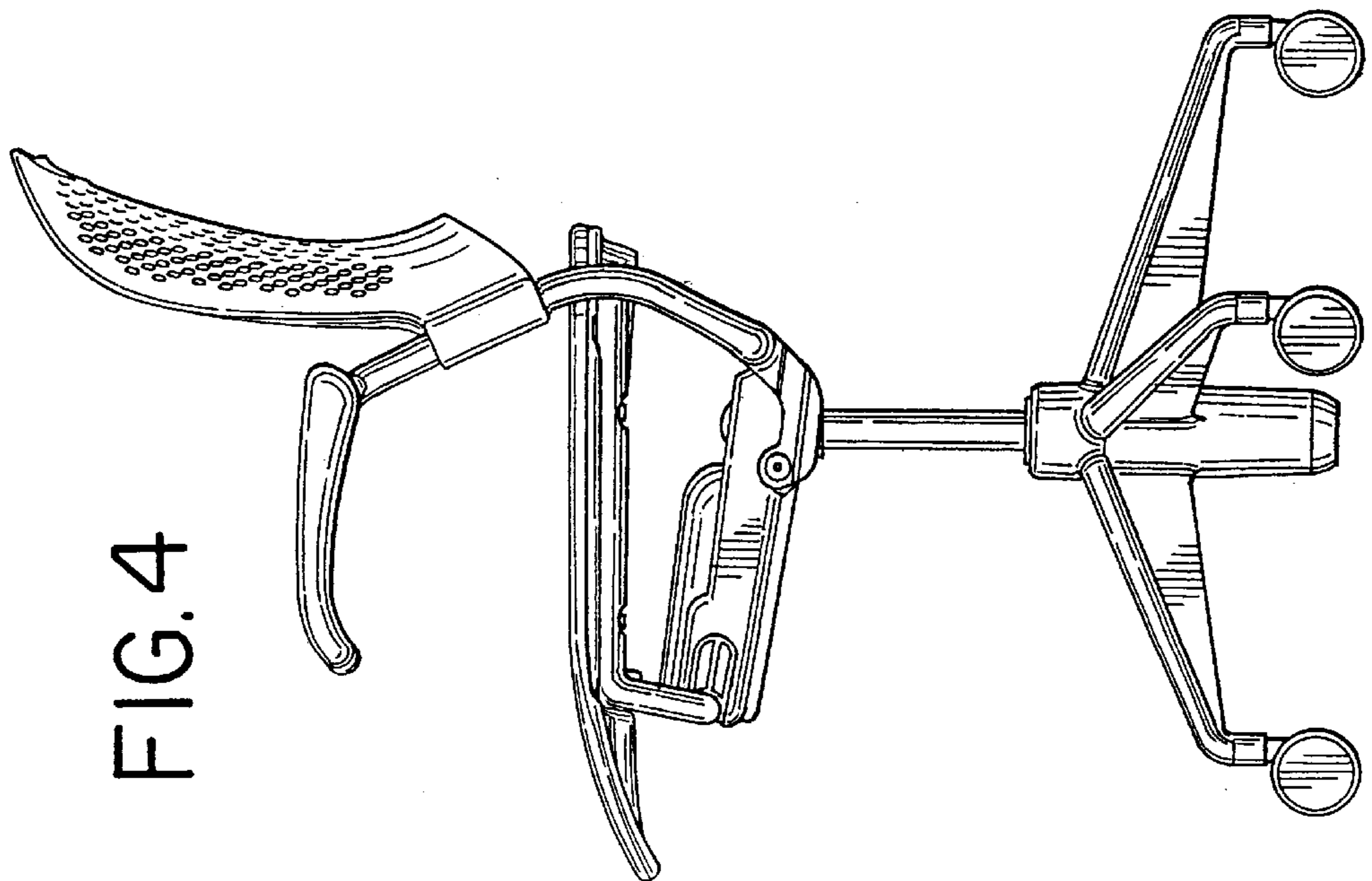


FIG. 4

FIG. 6

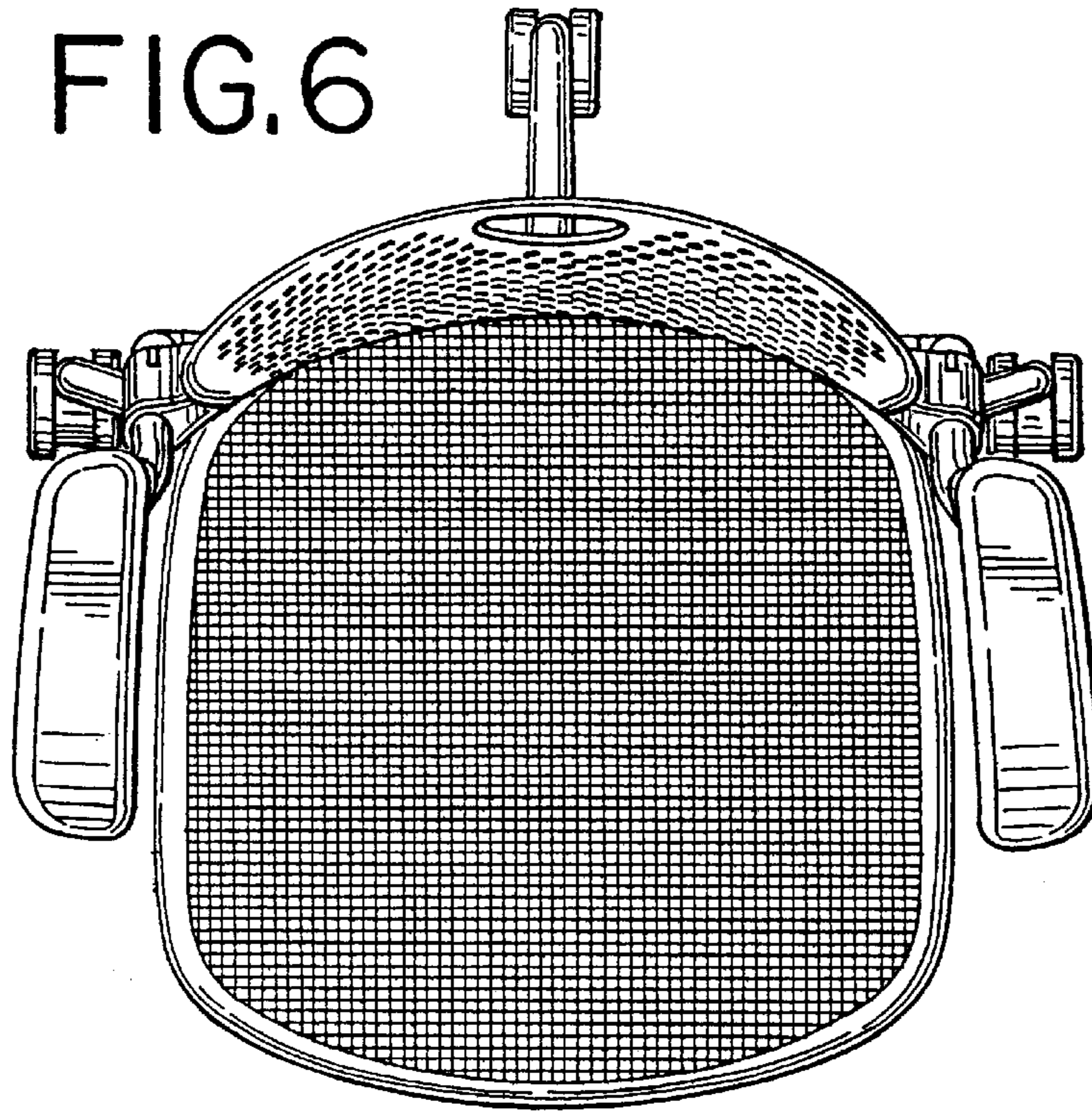


FIG. 7

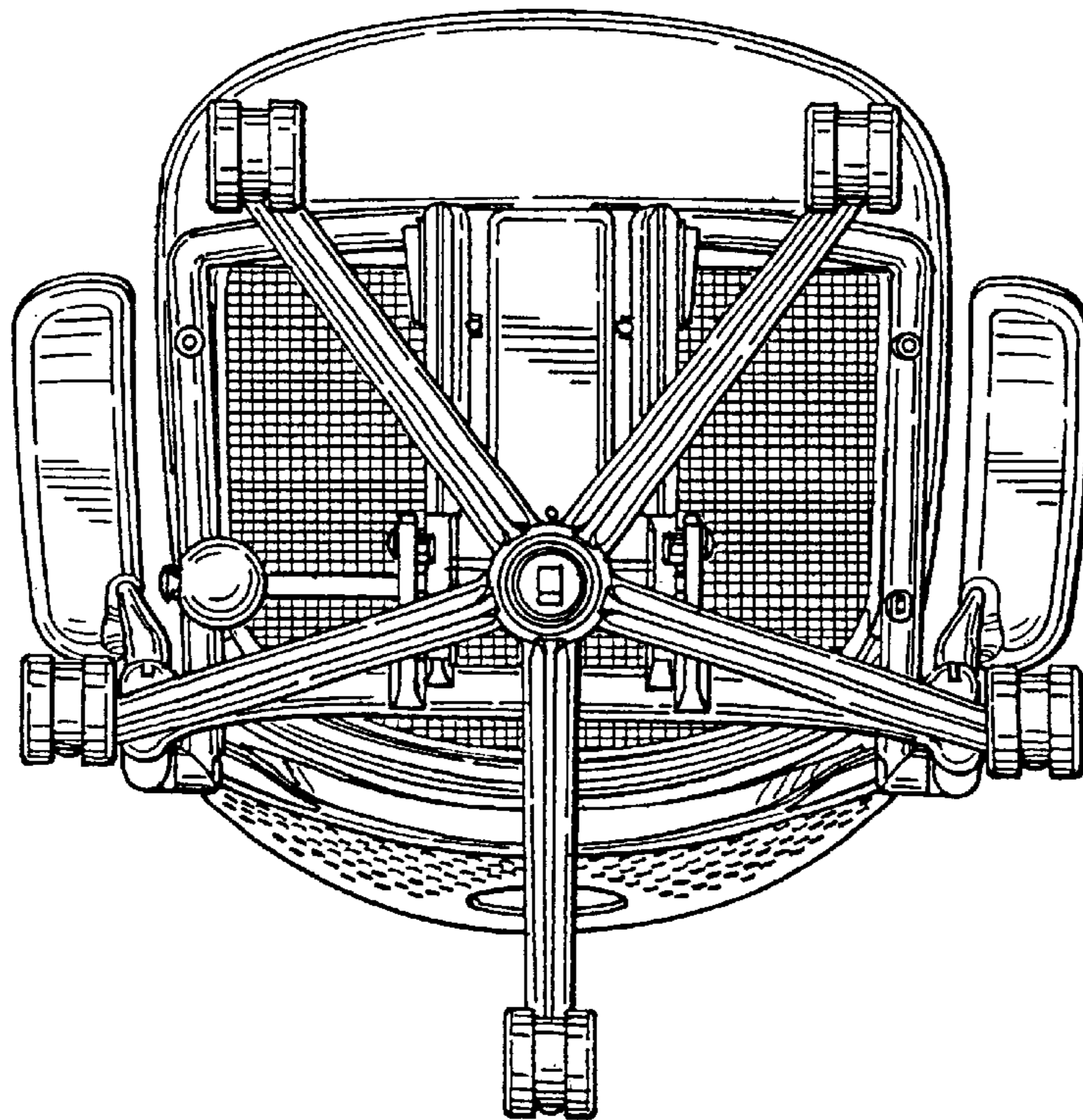
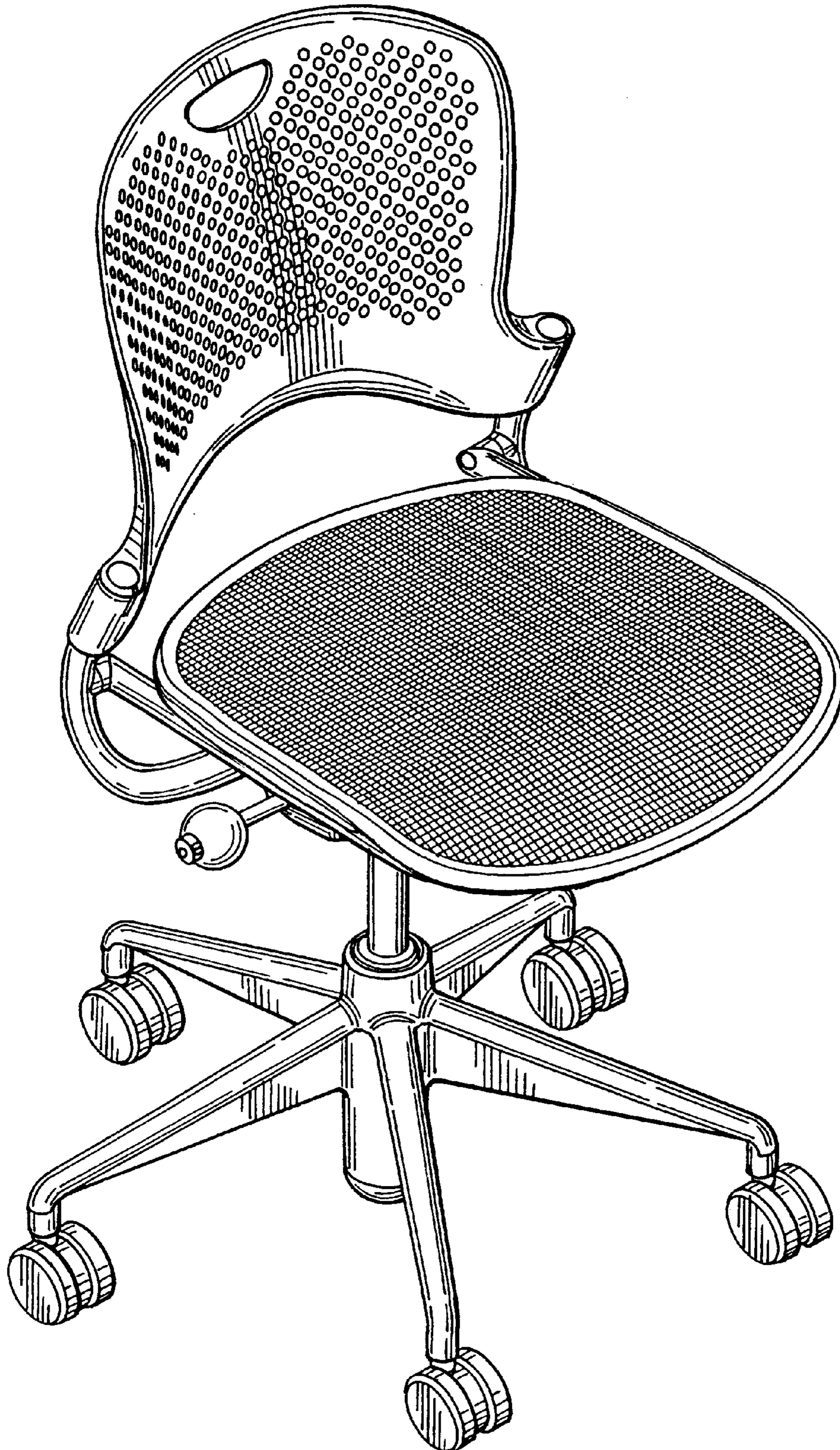


FIG. 8



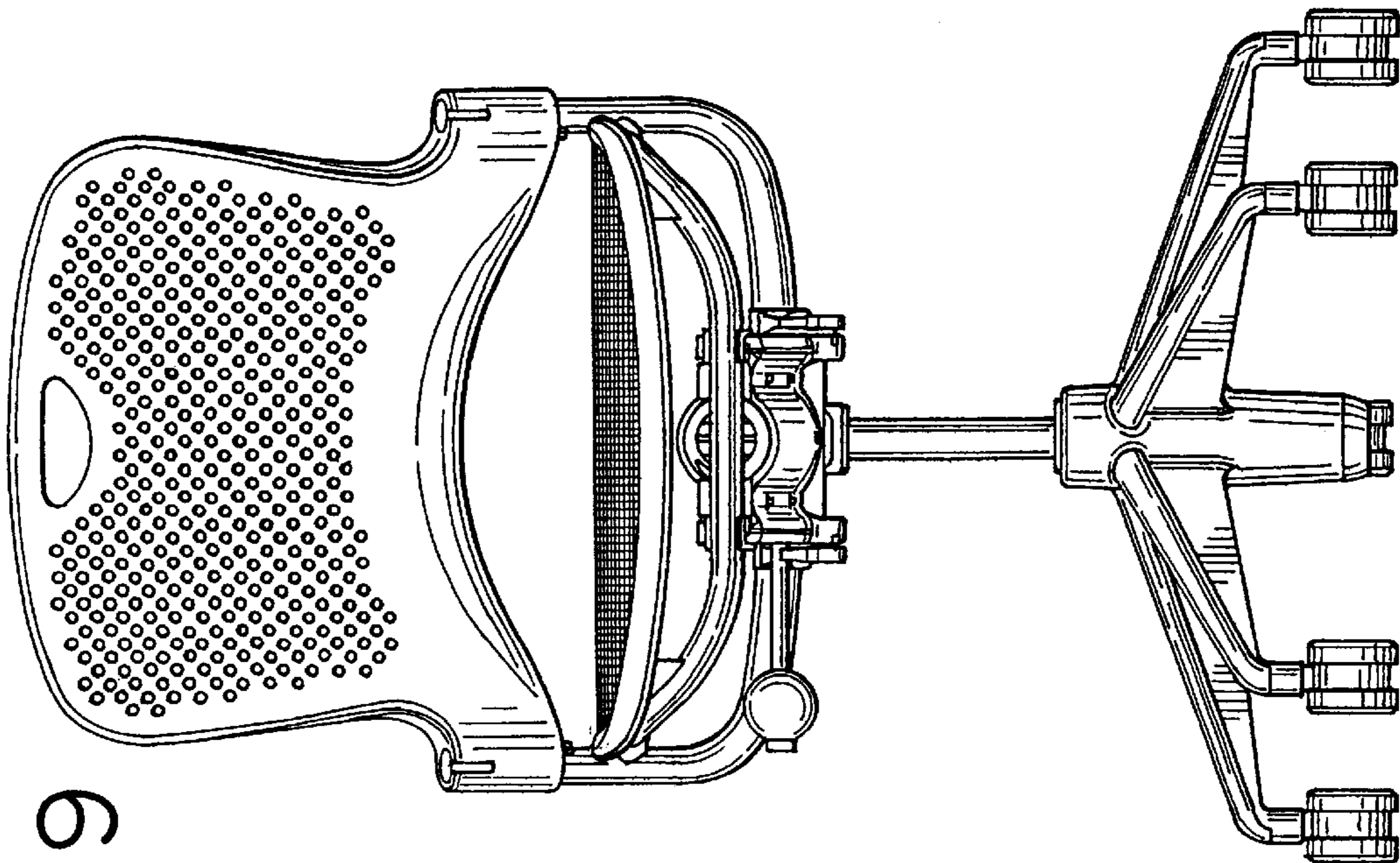


FIG. 9

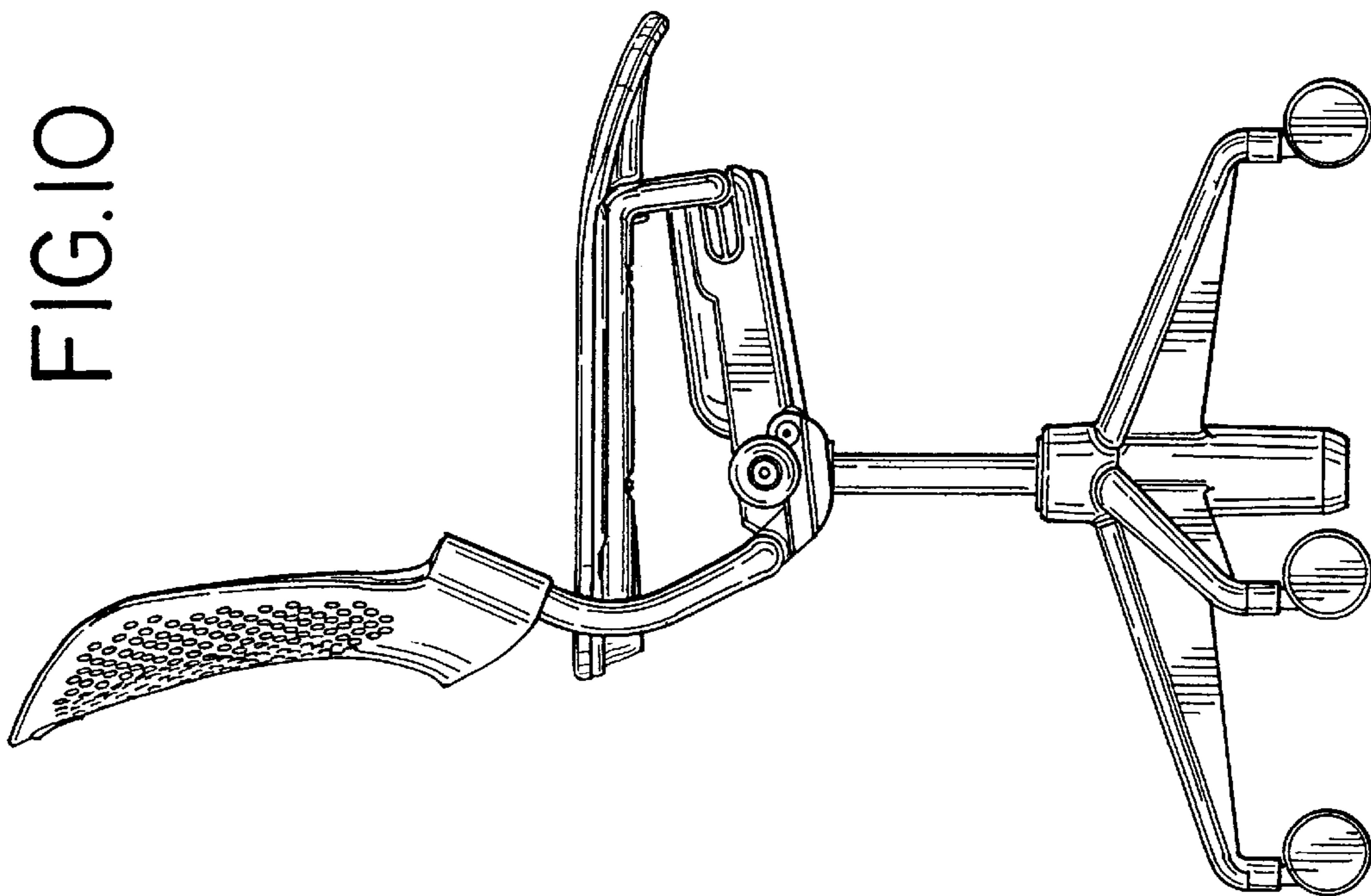


FIG. 10

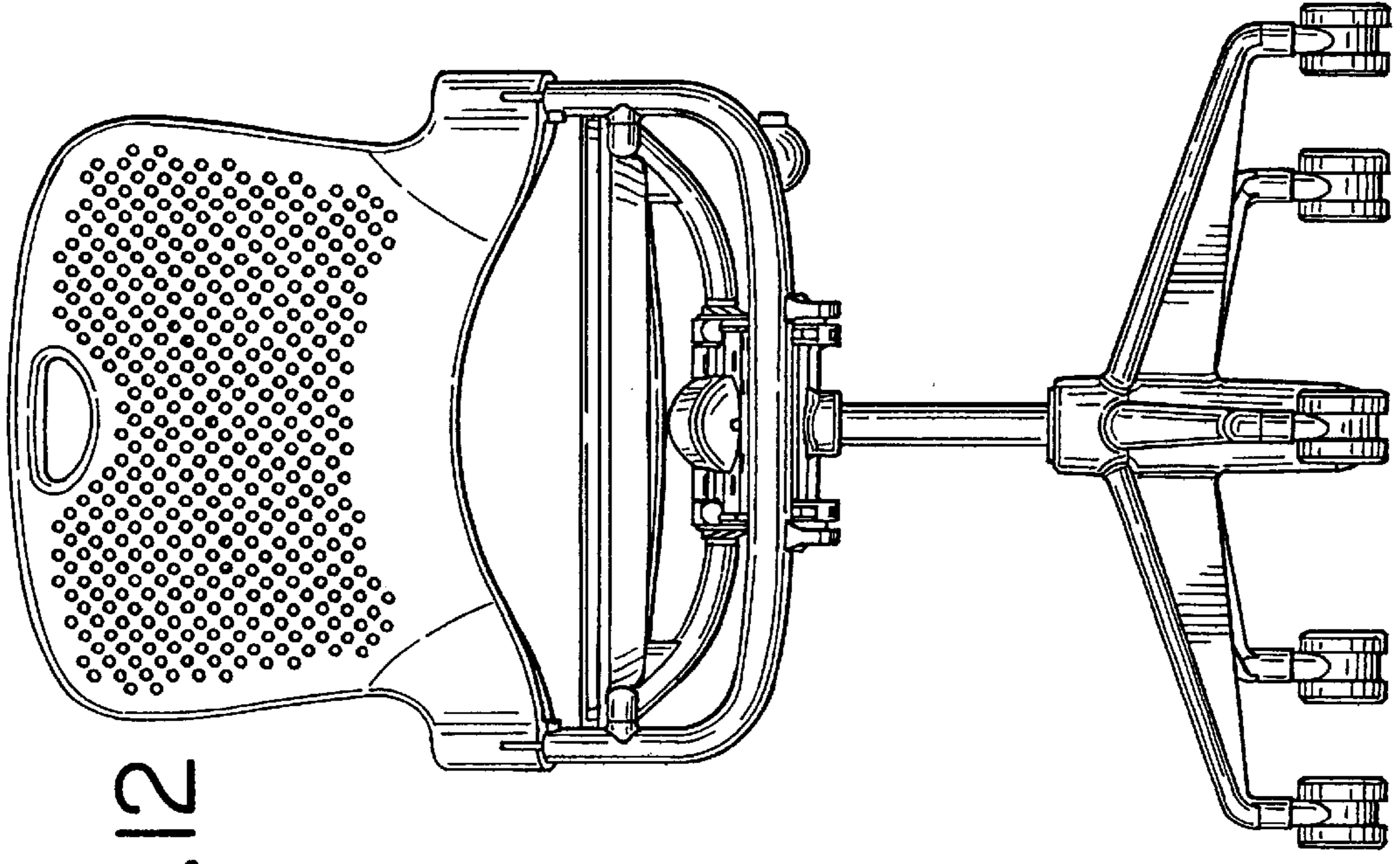


FIG.12

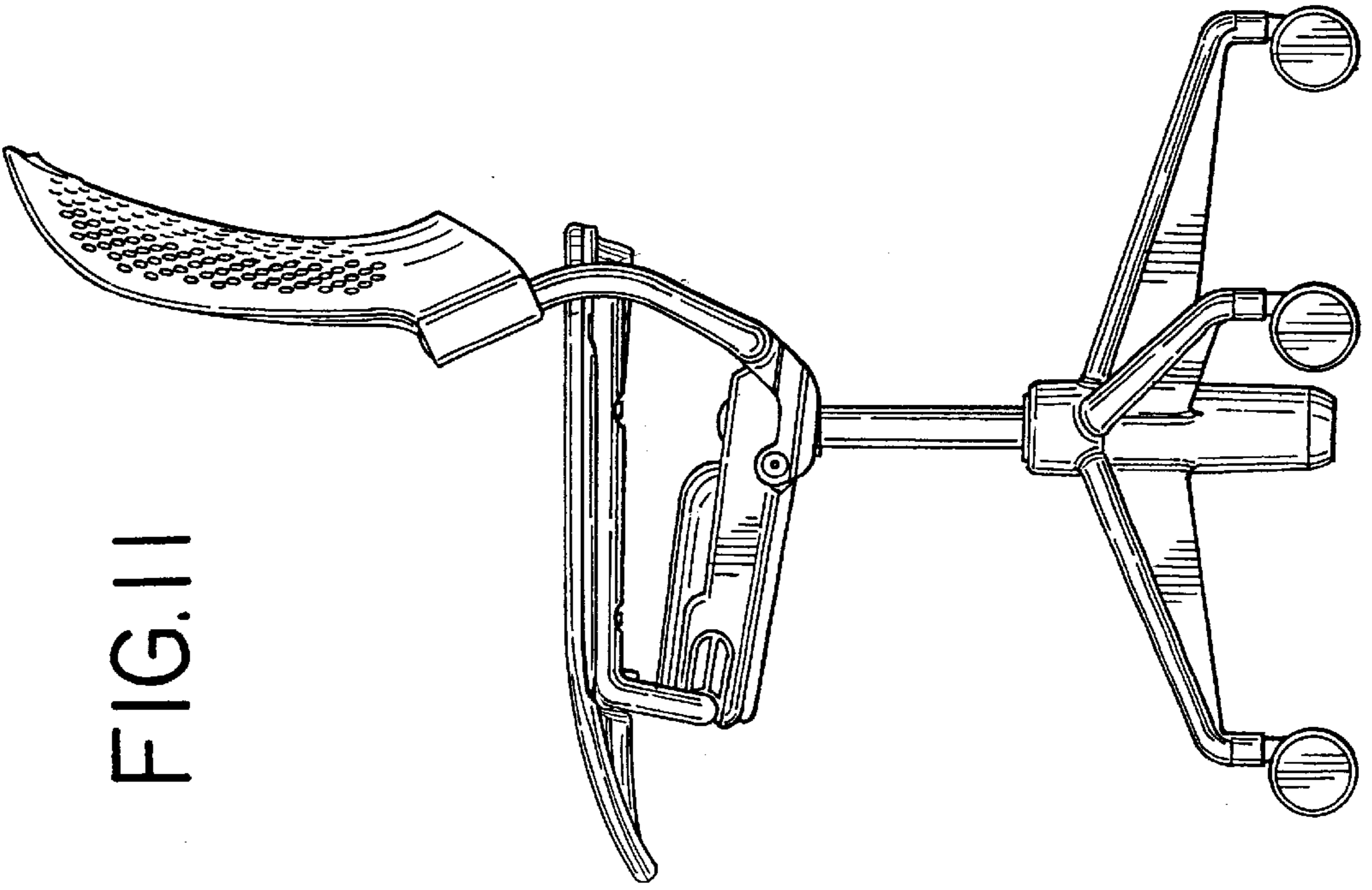


FIG.11

FIG. 13

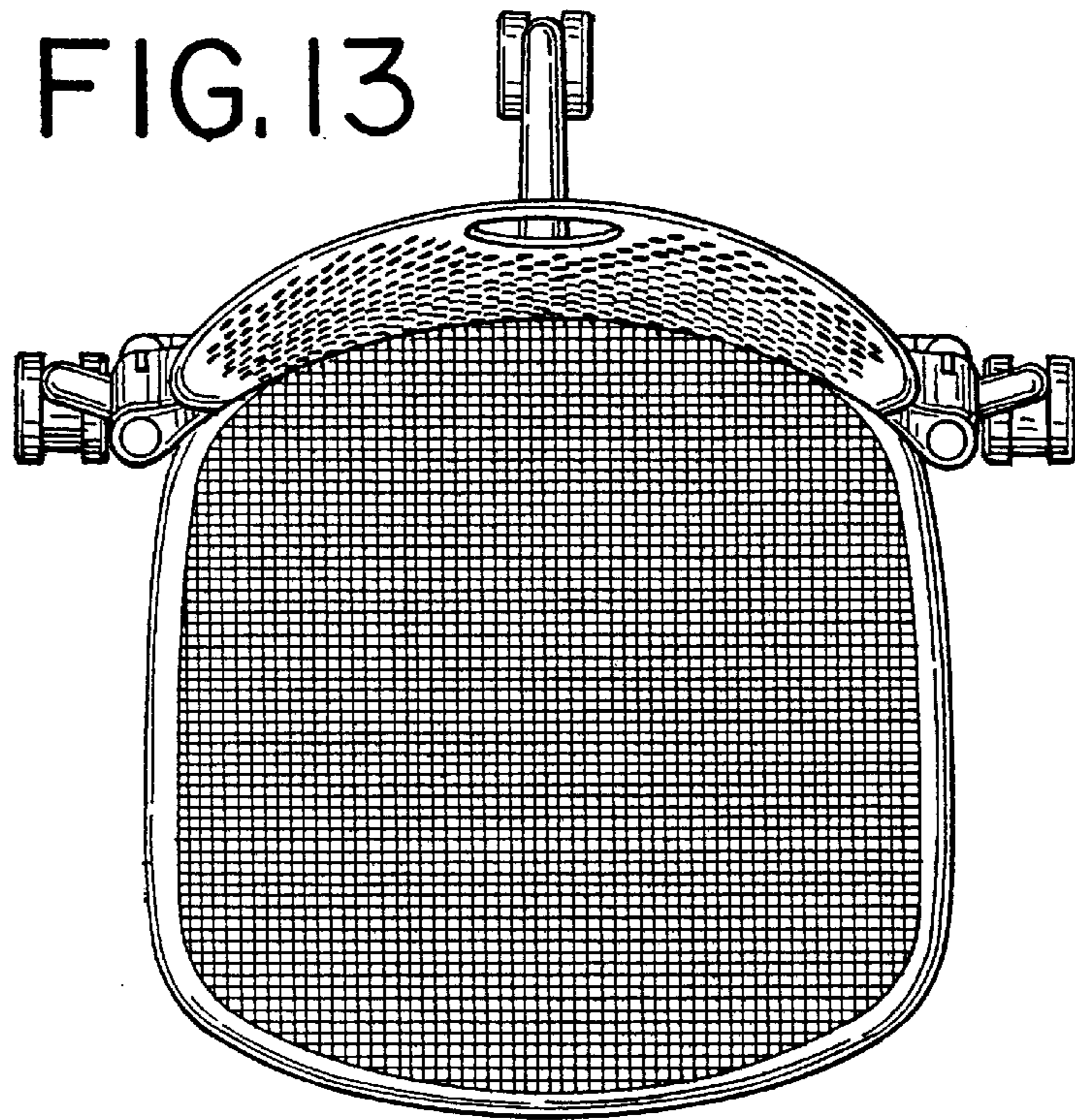


FIG. 14

