



US00D449171B1

(12) **United States Design Patent**  
**Kyle**

(10) **Patent No.:** **US D449,171 S**

(45) **Date of Patent:** **\*\* Oct. 16, 2001**

(54) **MARINE CHAIR**

4,500,137 \* 2/1985 Morehouse ..... D6/364

(75) Inventor: **James H. Kyle**, Keene, NH (US)

\* cited by examiner

(73) Assignee: **Pompanette, Inc.**, Charlestown, NH (US)

*Primary Examiner*—Doris V. Coles

*Assistant Examiner*—Mimosa De

(\*\*) Term: **14 Years**

(74) *Attorney, Agent, or Firm*—Dougherty & Troxell

(21) Appl. No.: **29/131,699**

(57) **CLAIM**

The ornamental design for a marine chair, as shown.

(22) Filed: **Oct. 27, 2000**

**DESCRIPTION**

(51) **LOC (7) Cl.** ..... **06-01**

FIG. 1 is a front elevational view illustrating a marine chair according to the invention;

(52) **U.S. Cl.** ..... **D6/364**

FIG. 2 is a rear elevational view thereof;

(58) **Field of Search** ..... D6/334, 335, 364, D6/365, 379, 380, 500-502; 297/423.12, 452.21, 451.1, 452.62, 452.63, 452.64, 461

FIG. 3 is a top plan view thereof;

FIG. 4 is a bottom plan view thereof;

FIG. 5 is a right side elevational view thereof;

FIG. 6 is a left side elevational view thereof;

FIG. 7 is a front perspective view thereof; and,

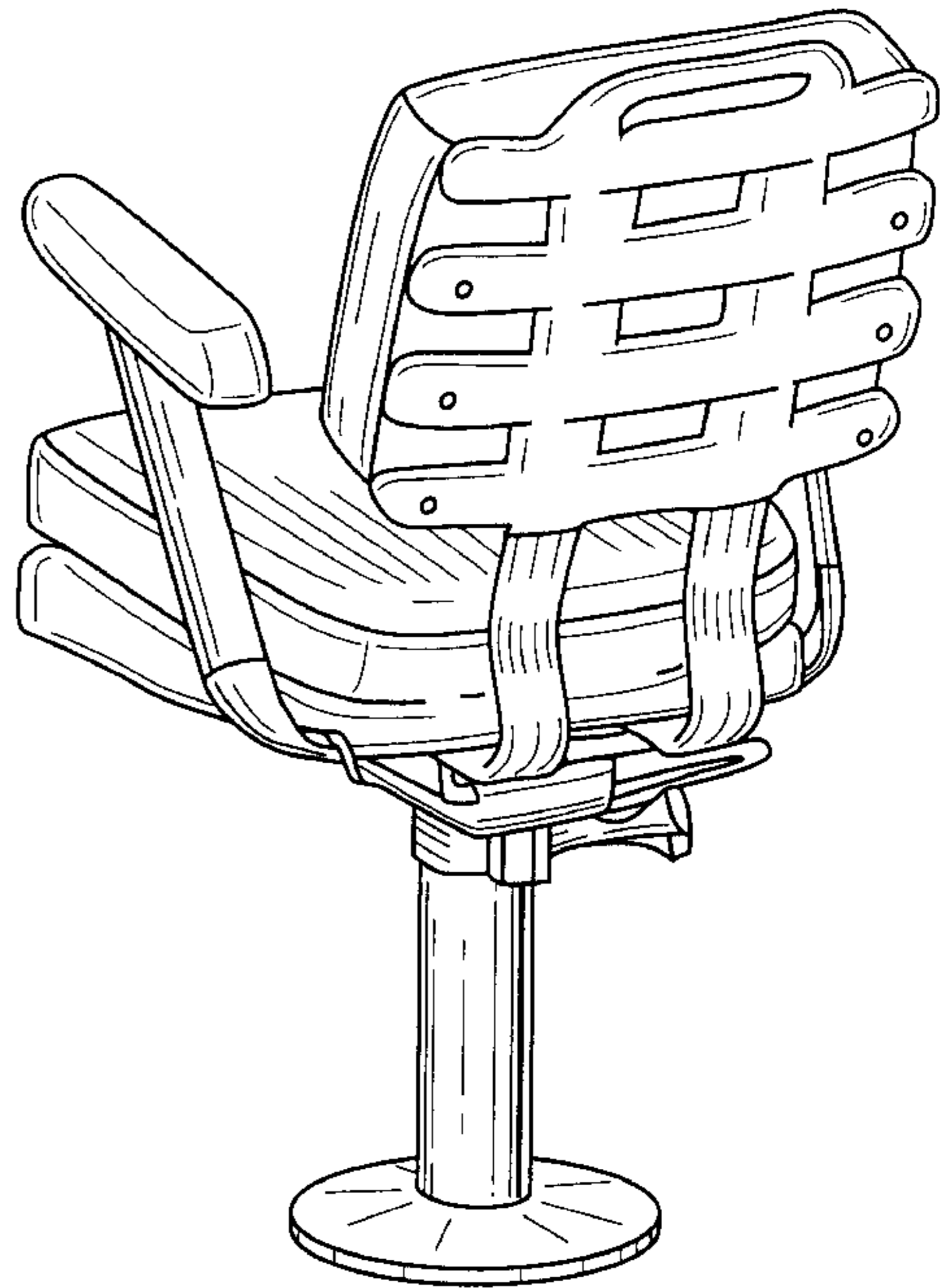
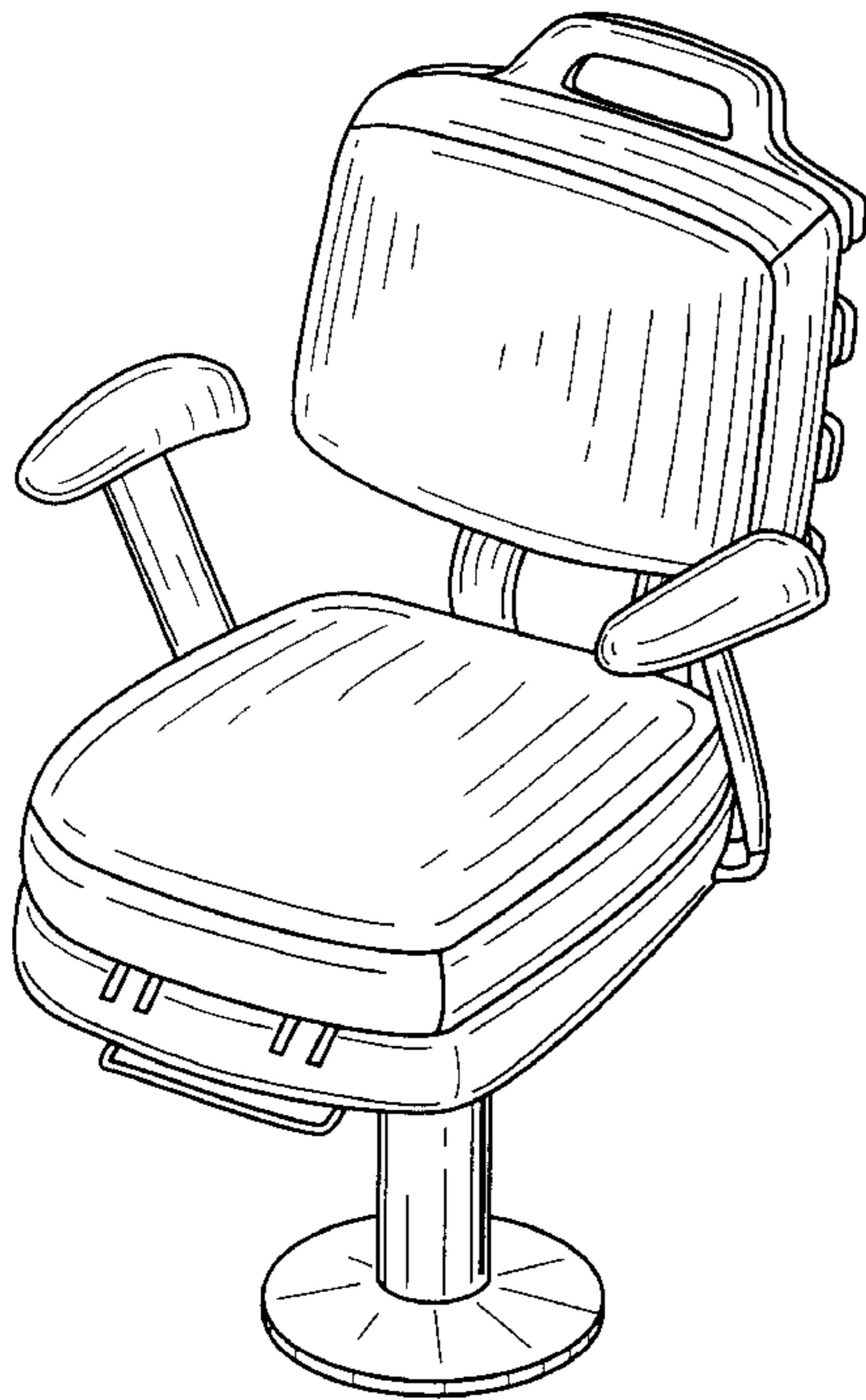
FIG. 8 is a rear perspective view thereof.

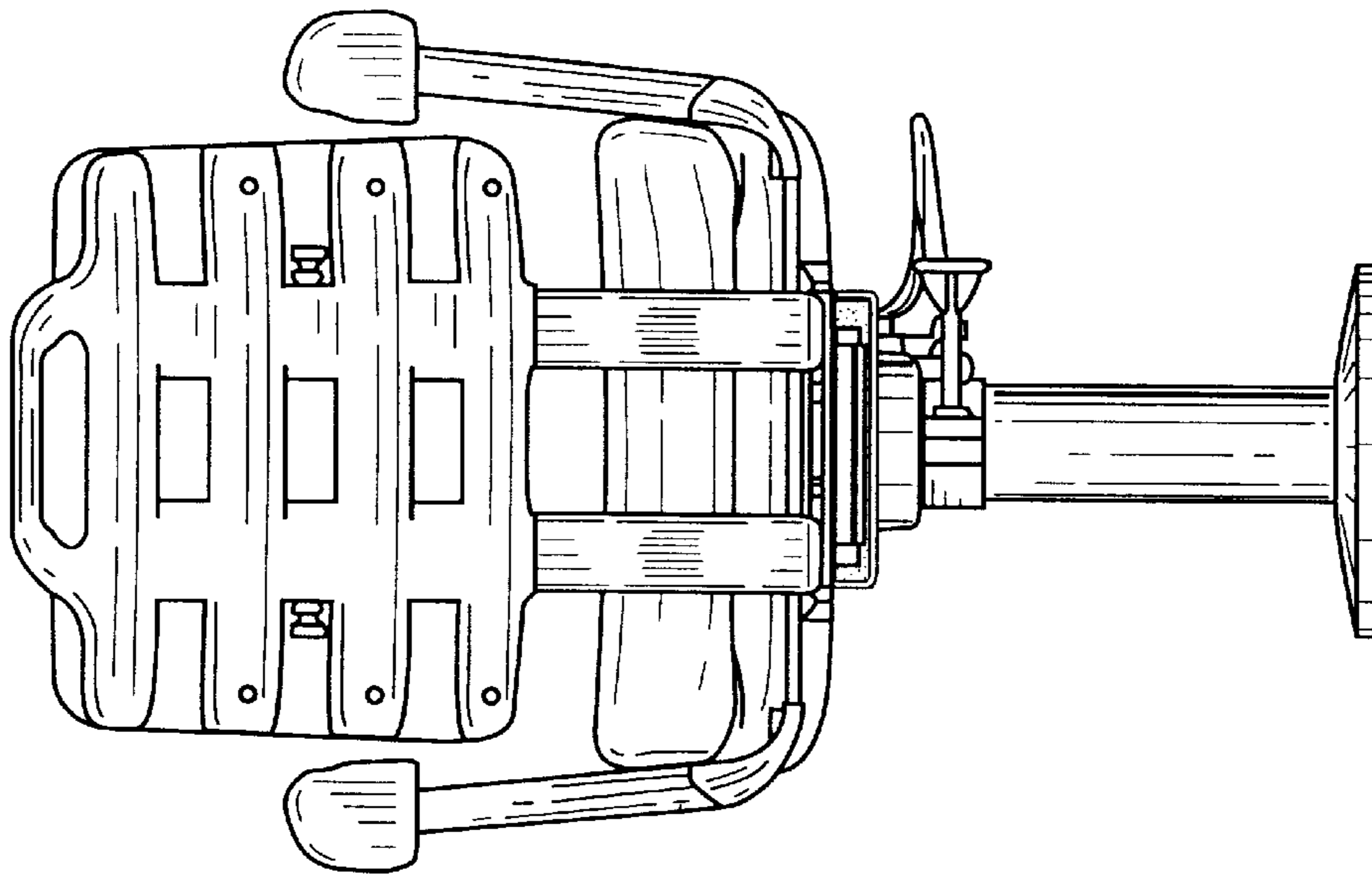
(56) **References Cited**

**U.S. PATENT DOCUMENTS**

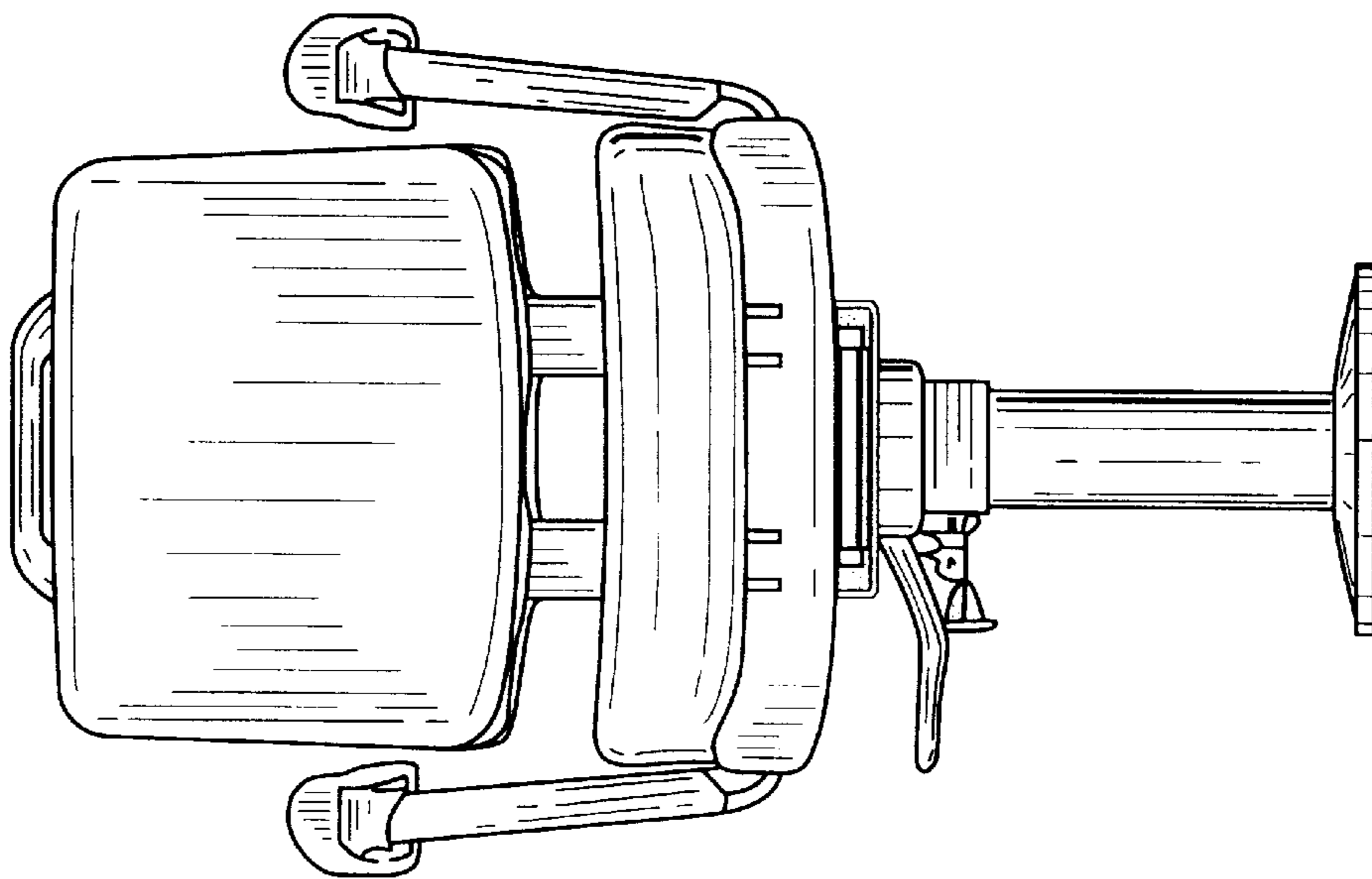
D. 140,478 \* 2/1945 Jones ..... D6/364

**1 Claim, 4 Drawing Sheets**

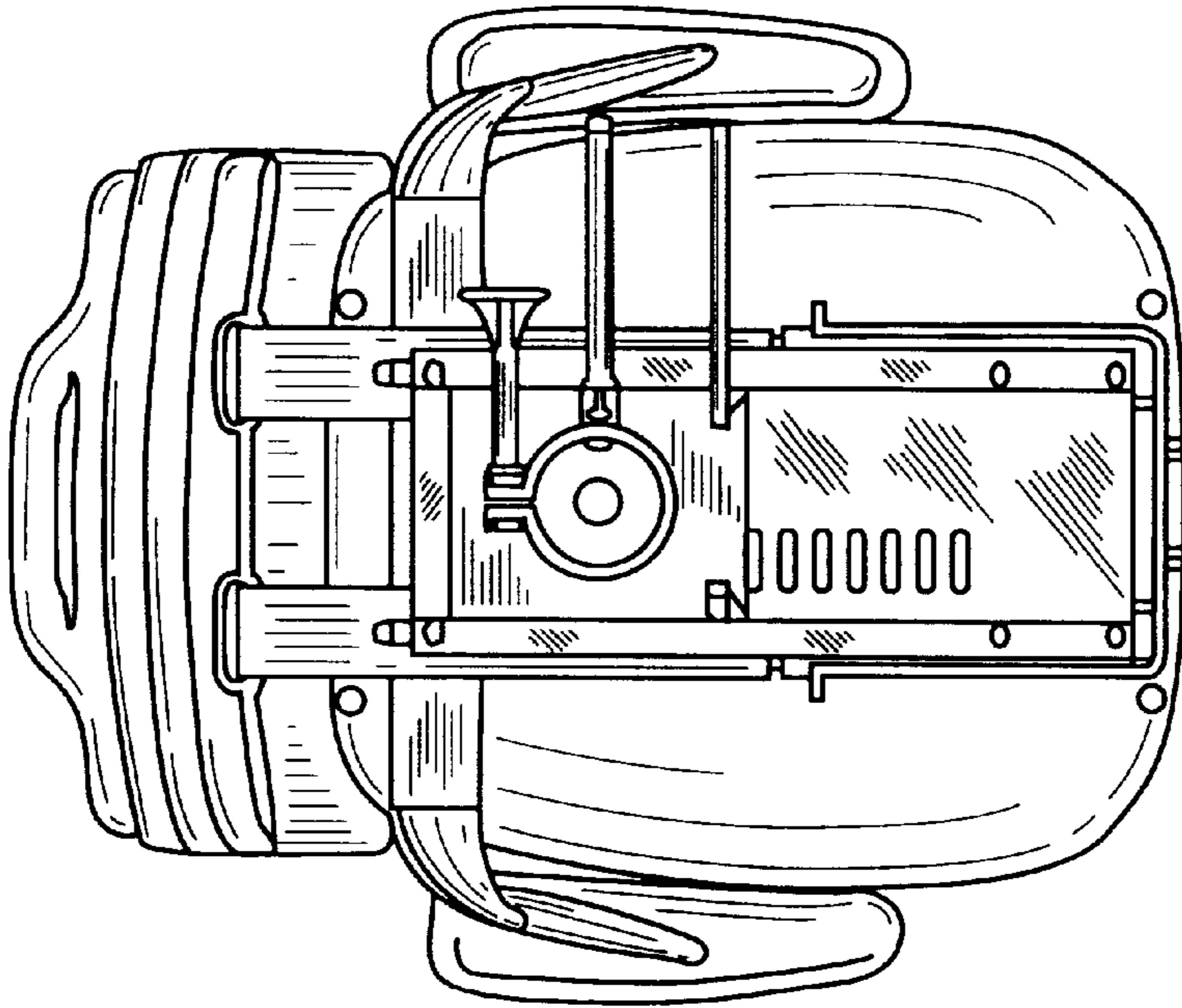




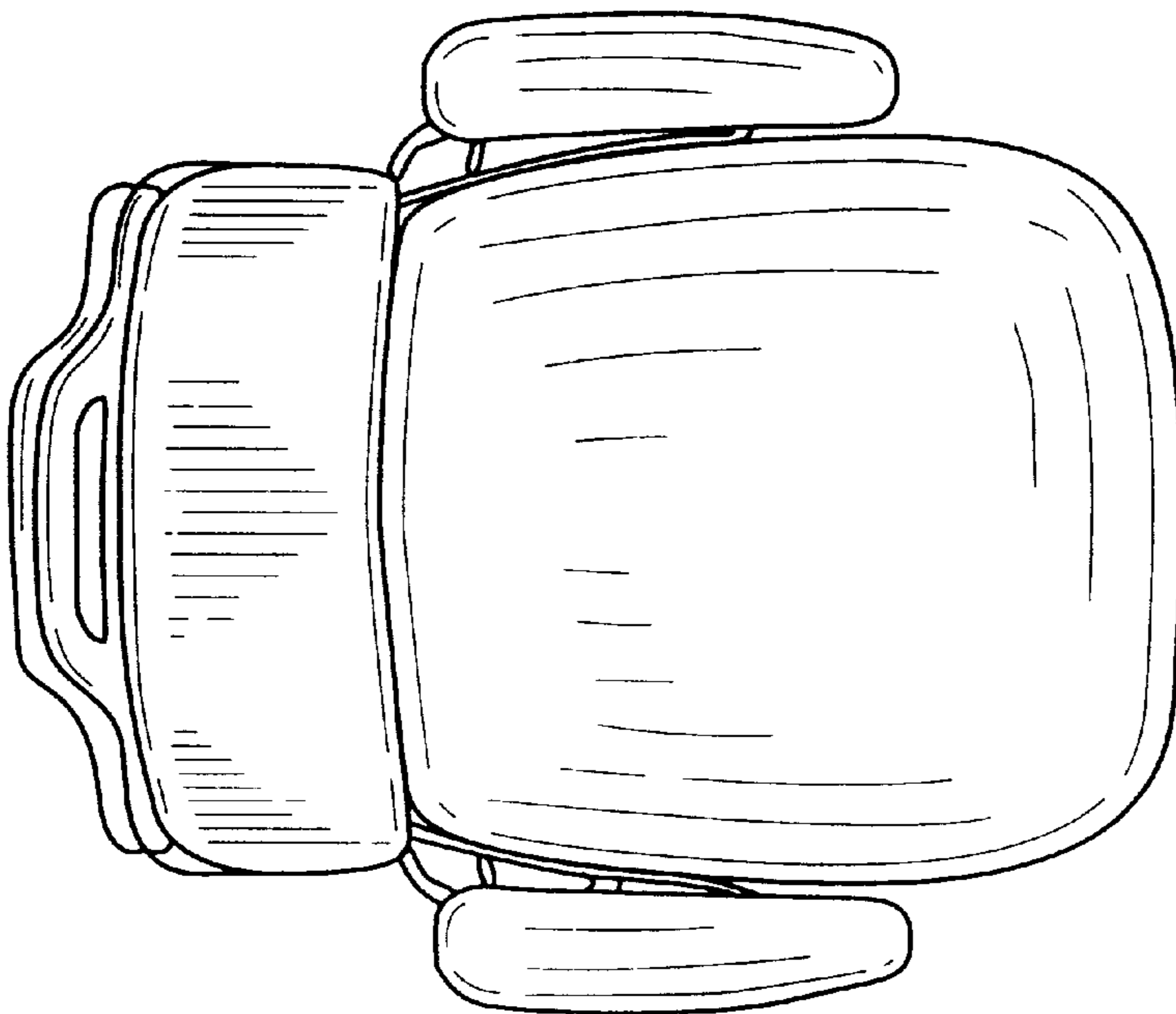
**FIG. 1**



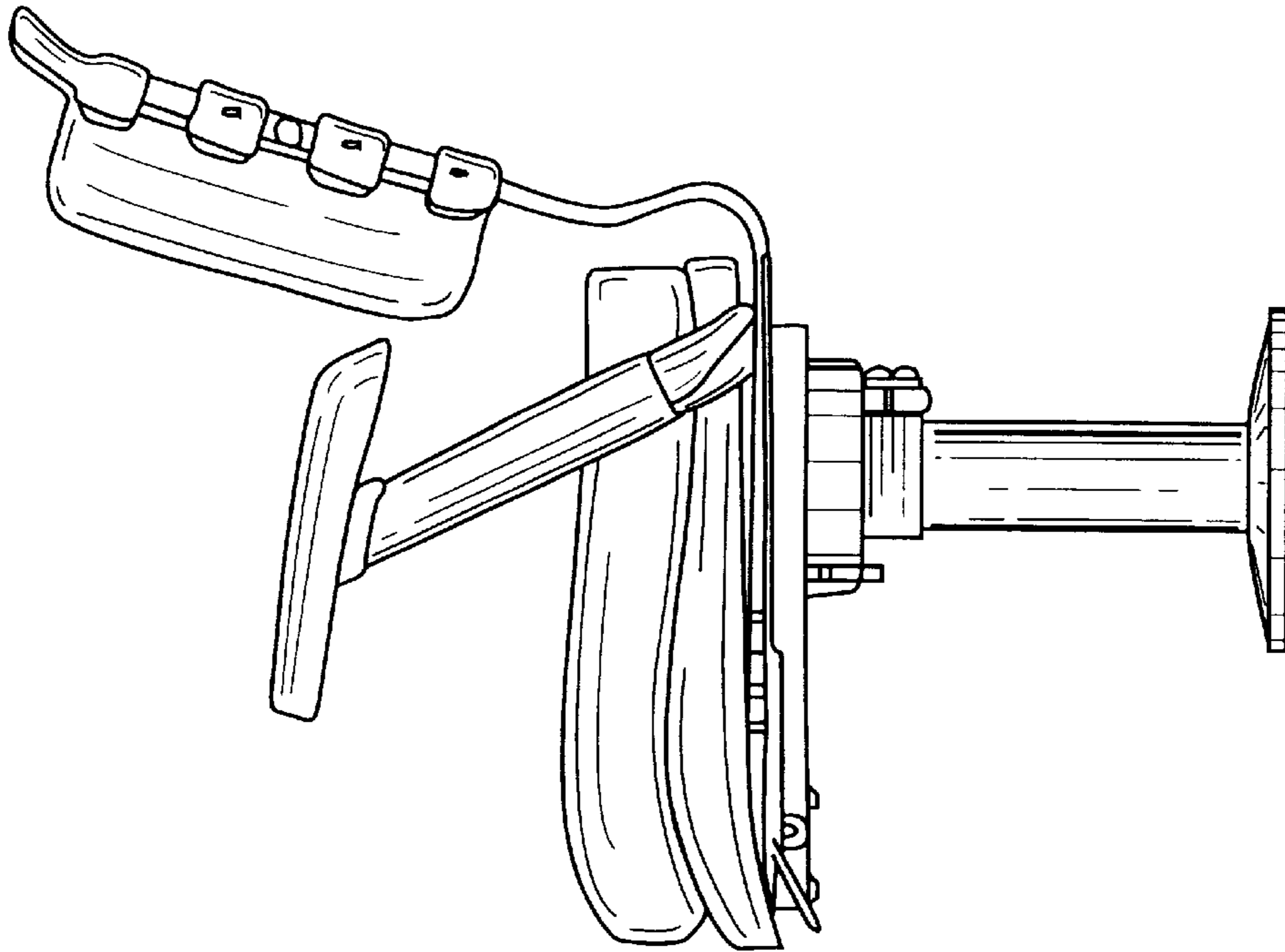
**FIG. 2**



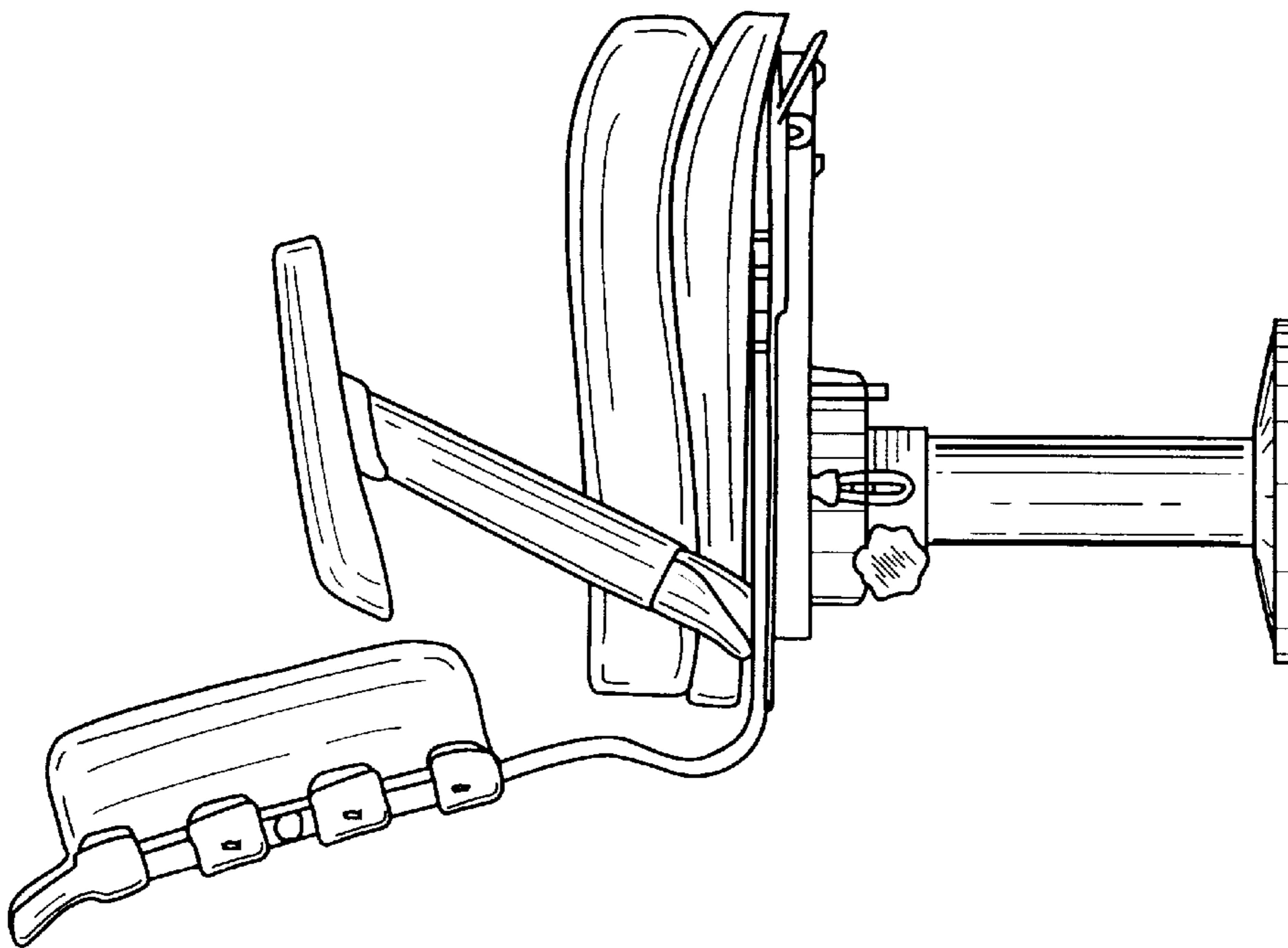
**FIG. 4**



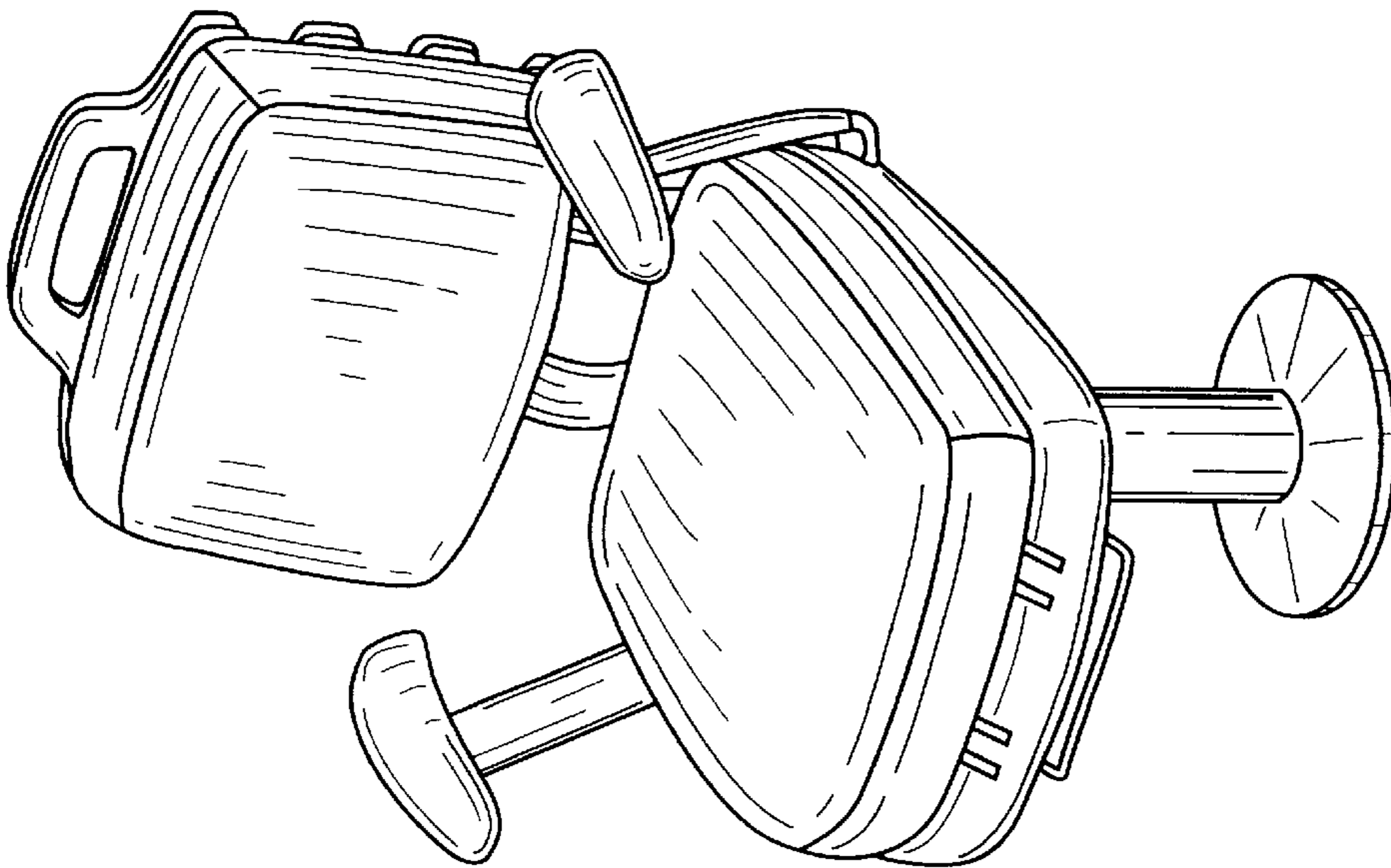
**FIG. 3**



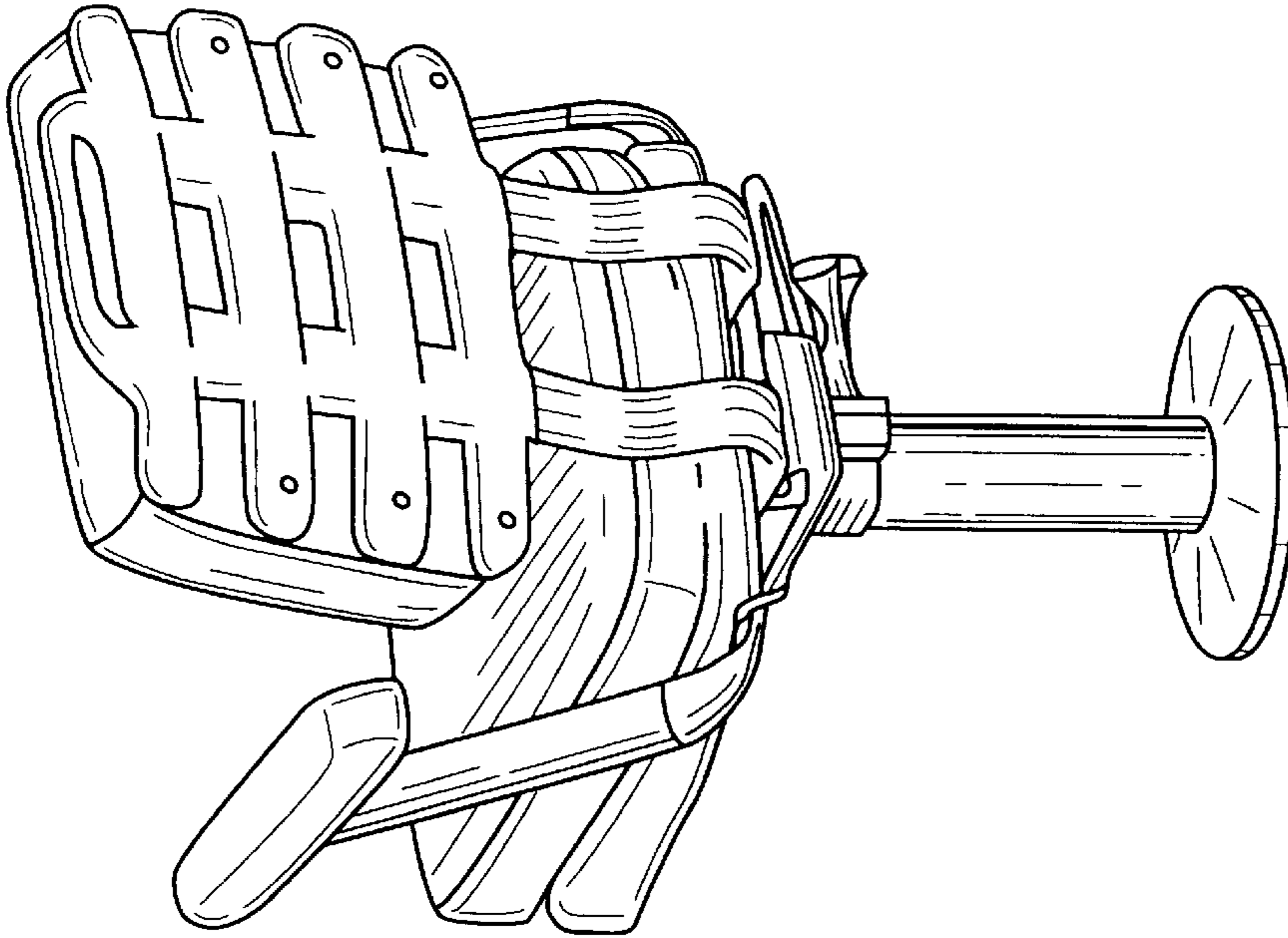
**FIG. 6**



**FIG. 5**



**FIG. 7**



**FIG. 8**