



US00D449170B1

(12) **United States Design Patent**
Kim

(10) **Patent No.:** **US D449,170 S**

(45) **Date of Patent:** **** Oct. 16, 2001**

(54) **GRID BENCH WITH CUSHIONS**

D. 416,143 * 11/1999 Ragan D6/397

(75) Inventor: **DongHuy Kim**, Deerfield, IL (US)

* cited by examiner

(73) Assignee: **Fo Design, L.L.C.**, Deerfield, IL (US)

Primary Examiner—Janice E. Seeger

(**) Term: **14 Years**

(74) *Attorney, Agent, or Firm*—Gary R. Gillen; Wildman, Harrold, Allen & Dixon

(21) Appl. No.: **29/134,886**

(57) **CLAIM**

(22) Filed: **Jan. 2, 2001**

The ornamental design for a grid bench with cushions, as shown and described above.

(51) **LOC (7) Cl.** **06-01**

DESCRIPTION

(52) **U.S. Cl.** **D6/349; D6/601**

(58) **Field of Search** D6/349–353, 355,
D6/601; 297/461, 462, 195.11, 423.1, 423.39,
423.41, 423.42, 423.43

FIG. 1 is a perspective view of the grid bench with cushions; FIG. 2 is a top plan view thereof; FIG. 3 is a front elevational view thereof; FIG. 4 is a left side elevational view thereof; and, FIG. 5 is a bottom plan view thereof.

(56) **References Cited**

U.S. PATENT DOCUMENTS

- D. 172,857 * 8/1954 Yellen D6/349
- D. 316,001 * 4/1991 Guard D6/601
- D. 376,281 * 12/1996 Robertson D6/484
- D. 389,702 * 1/1998 Graebe et al. D6/601

A front elevational view is provided of which the back elevational view is identical. A left side elevational view is provided of which the right side elevational view is identical.

1 Claim, 1 Drawing Sheet

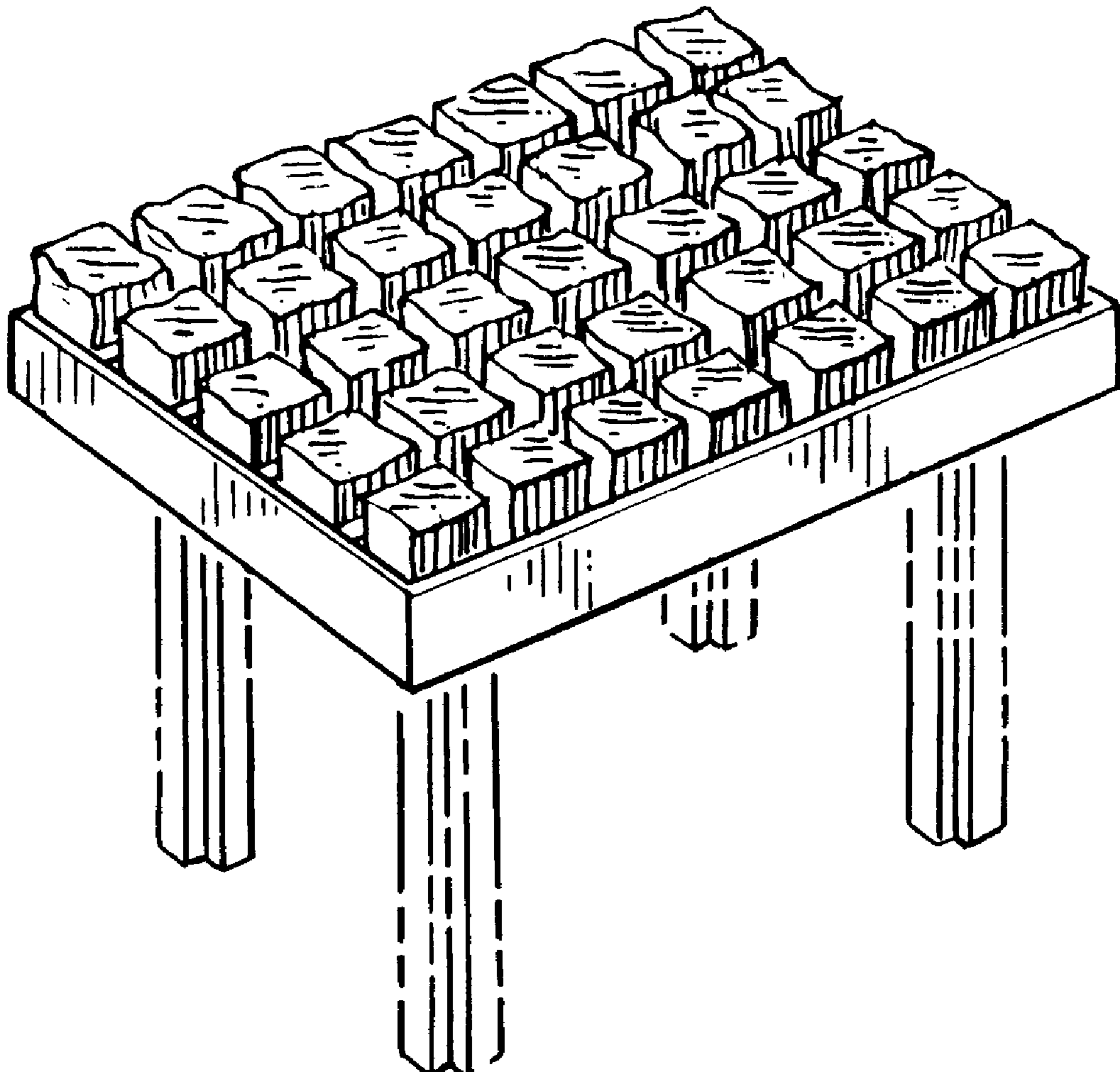


FIG. 1

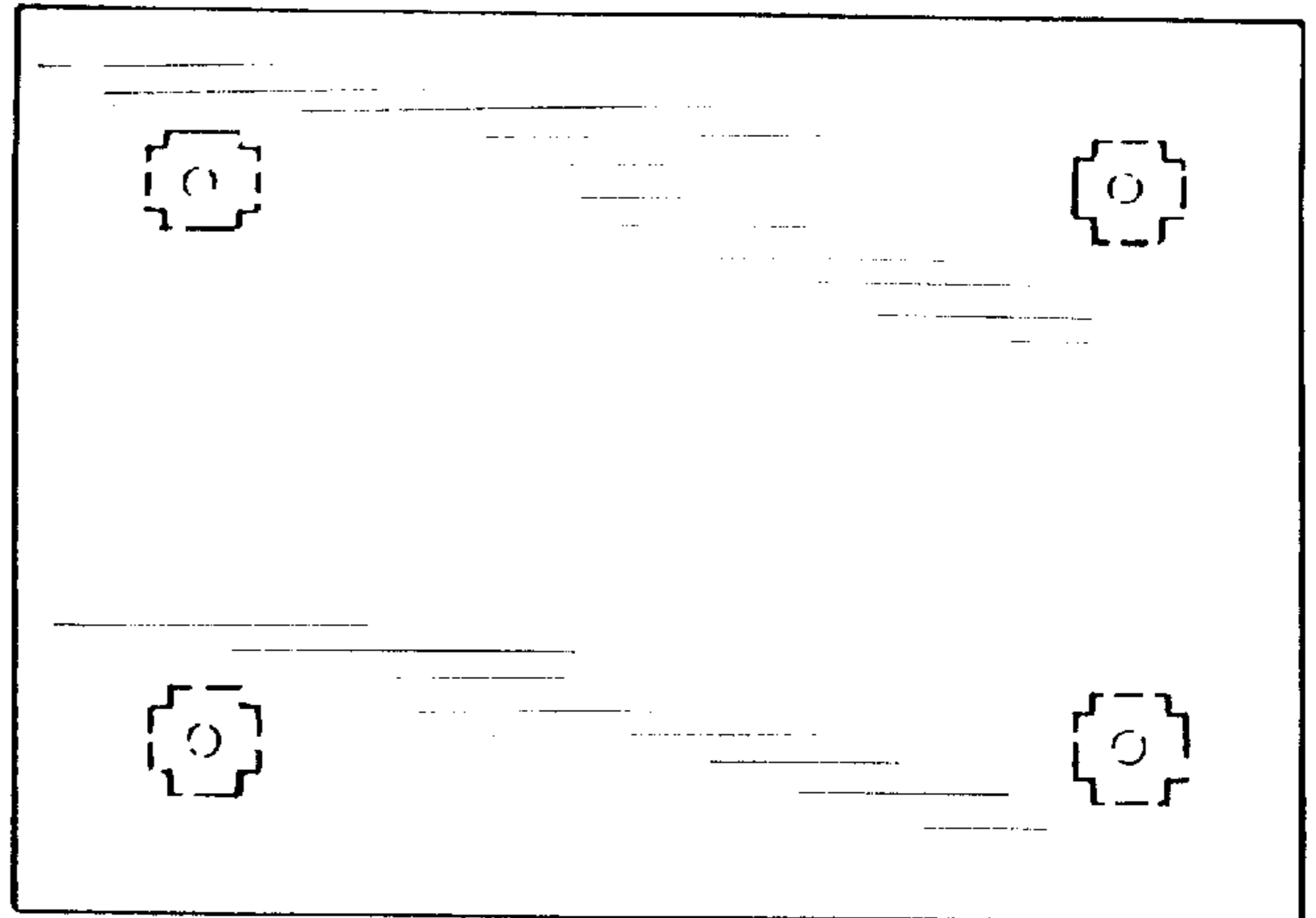
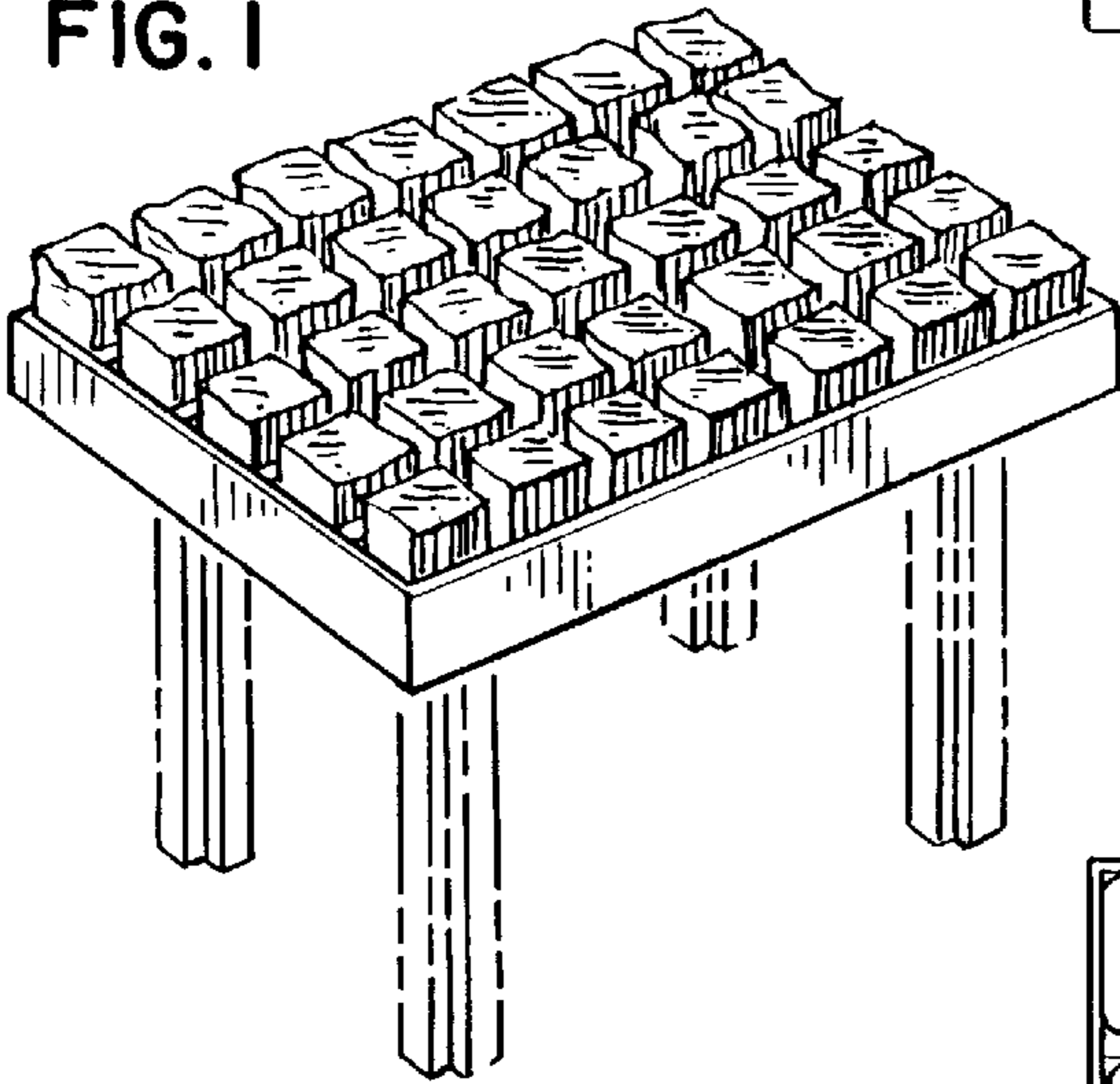


FIG. 5

FIG. 2

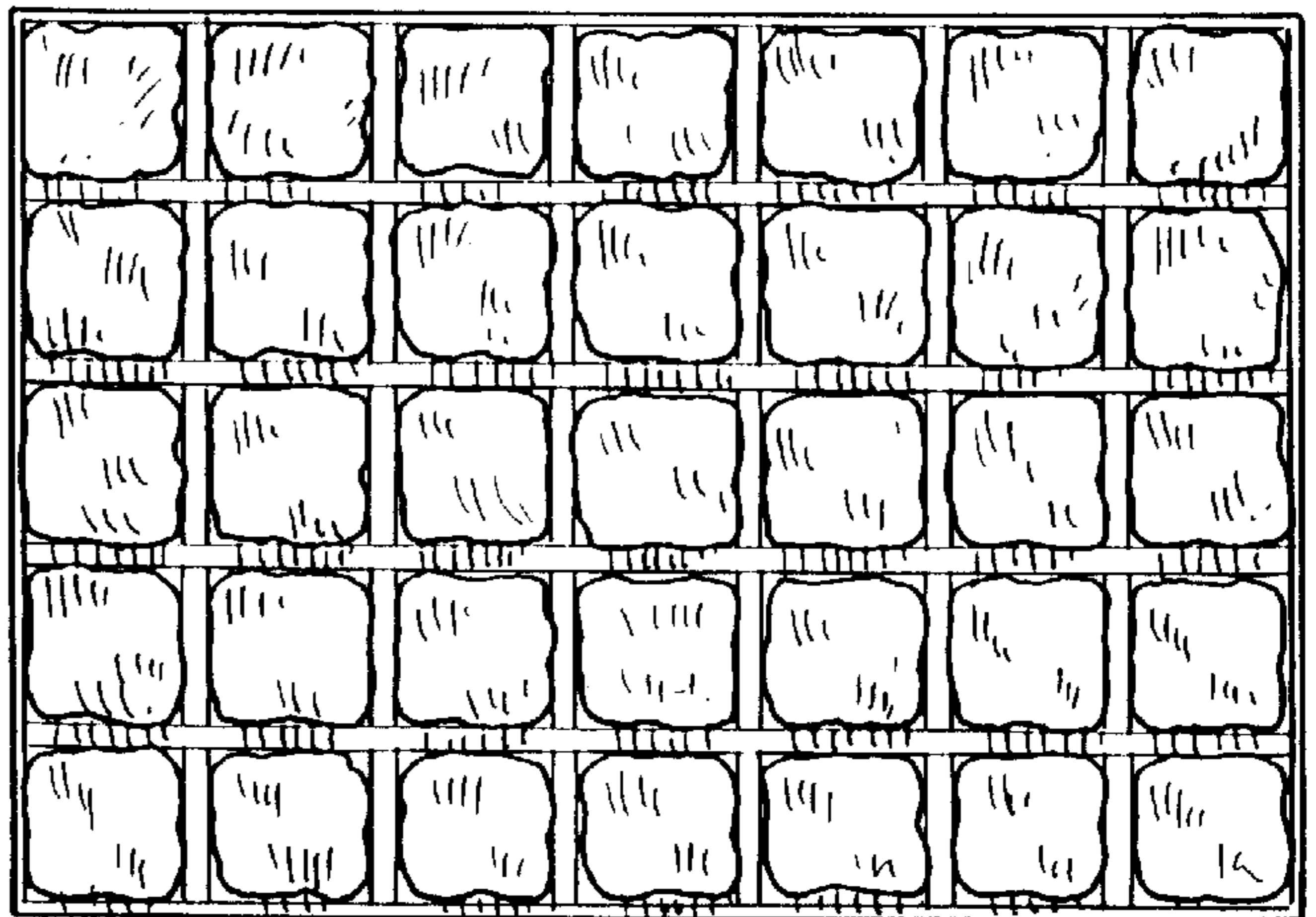


FIG. 4

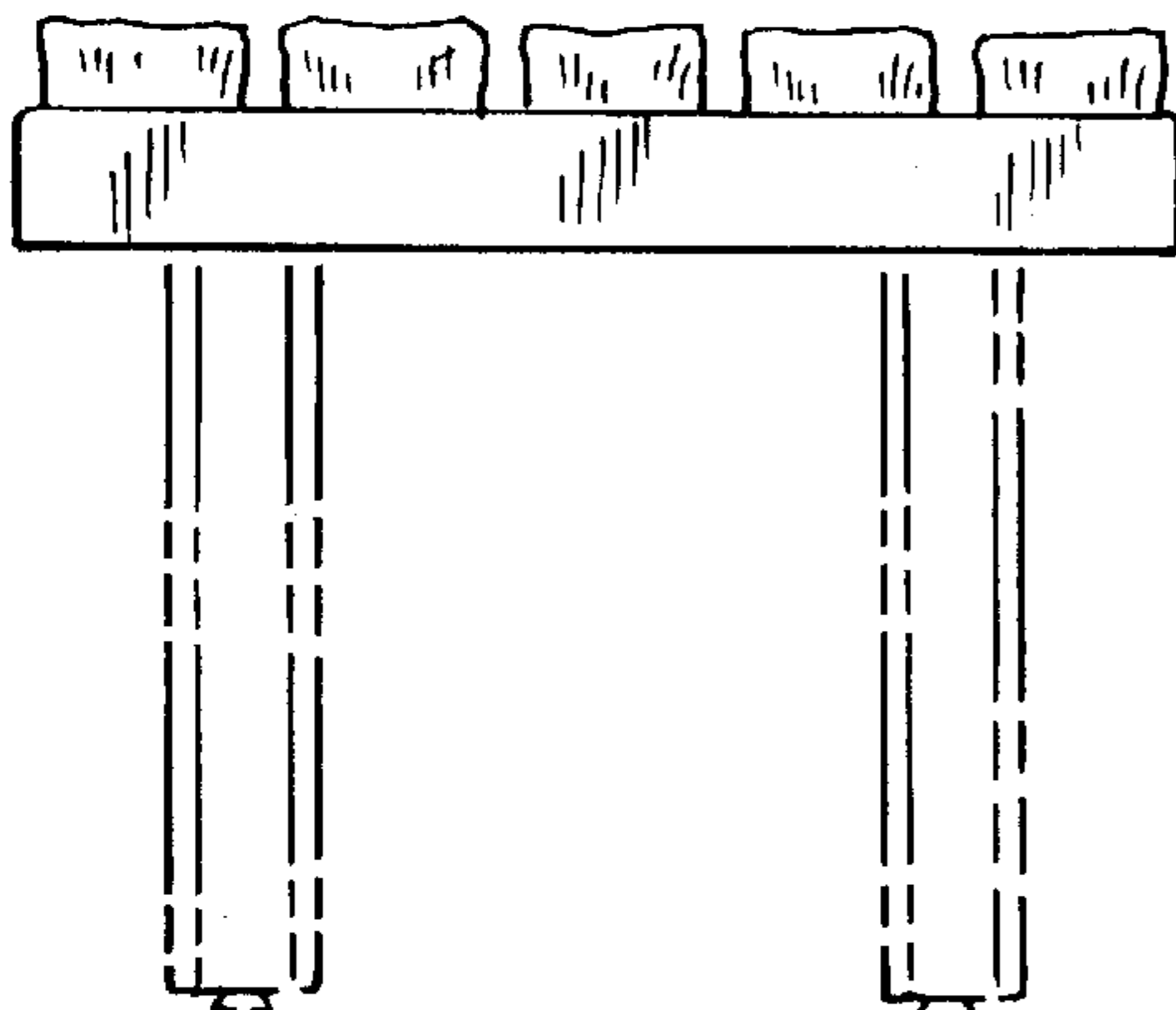


FIG. 3

