



US00D449169B1

(12) **United States Design Patent**
Bennie et al.

(10) **Patent No.:** **US D449,169 S**

(45) **Date of Patent:** **** Oct. 16, 2001**

(54) **SCREEN**

5,966,857 * 10/1999 Pettersson et al. 40/606

* cited by examiner

(75) Inventors: **William B. Bennie**, Grand Rapids;
David J. Luzenske, Kalamazoo, both
of MI (US)

Primary Examiner—Nanda Bondade
(74) *Attorney, Agent, or Firm*—Foley & Lardner

(73) Assignee: **Steelcase Development Inc.**, Caledonia,
MI (US)

(57) **CLAIM**

We claim the ornamental design for a screen, as shown and
described.

(**) Term: **14 Years**

DESCRIPTION

(21) Appl. No.: **29/130,560**

FIG. 1 is a front perspective view of a first embodiment of
a screen.

(22) Filed: **Oct. 4, 2000**

FIG. 2 is a rear perspective view of the first embodiment of
the screen.

(51) **LOC (7) Cl.** **06-06**

FIG. 3 is a front elevation view of the first embodiment of
the screen.

(52) **U.S. Cl.** **D6/332**

FIG. 4 is a rear elevation view of the first embodiment of the
screen.

(58) **Field of Search** D6/332, 495, 496;
D20/10; 52/236.2, 245; 160/135, 229.1,
113–115, 350, 351; 248/174; 256/24; 40/605–607,
539

FIG. 5 is a left side elevation view of the first embodiment
of the screen.

FIG. 6 is a right side elevation view of the first embodiment
of the screen.

(56) **References Cited**

U.S. PATENT DOCUMENTS

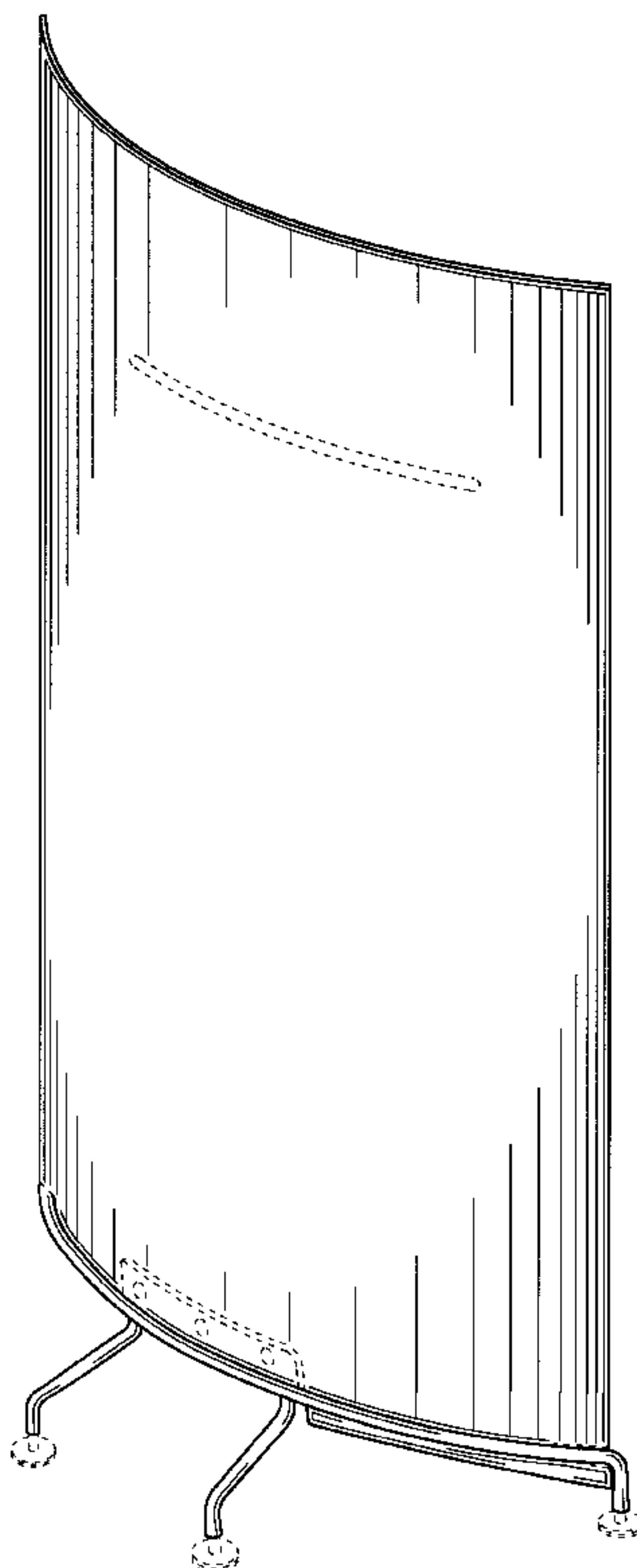
- D. 236,870 * 9/1975 Levy D6/332
- D. 257,602 * 12/1980 Cyplik D6/332 X
- D. 399,063 * 10/1998 Verbeek et al. D6/332
- D. 405,976 * 2/1999 Beall D6/332
- D. 415,901 * 11/1999 Arko et al. D6/332
- 2,806,526 * 9/1957 Marcus 160/135

FIG. 7 is a top plan view of the first embodiment of the
screen; and,

FIG. 8 is a bottom plan view of the first embodiment of the
screen.

The broken line disclosure is for illustrative purposes only
and forms no part of the claimed design.

1 Claim, 8 Drawing Sheets



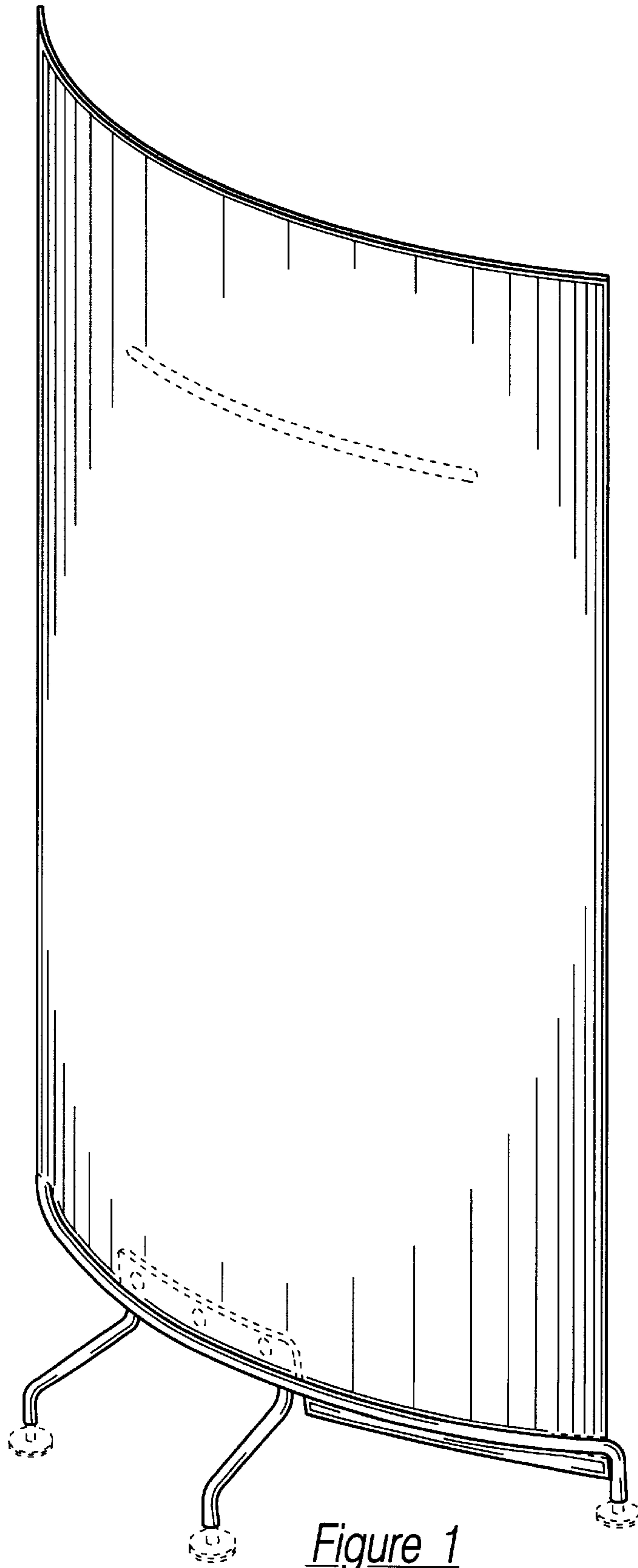


Figure 1

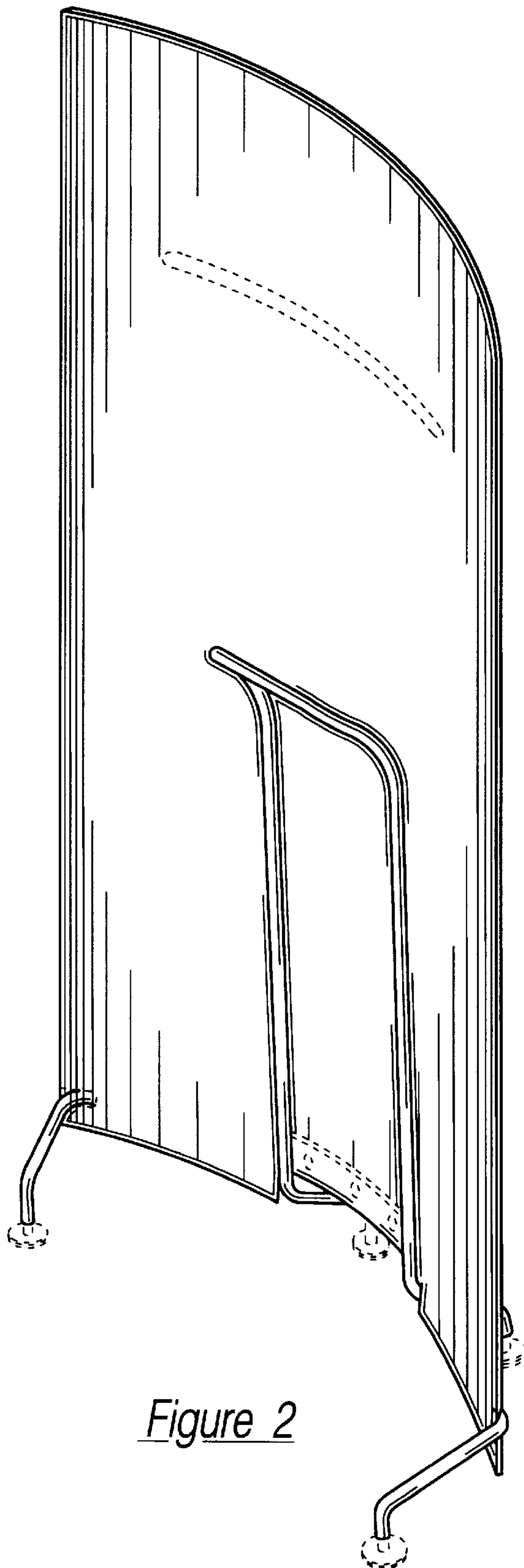


Figure 2

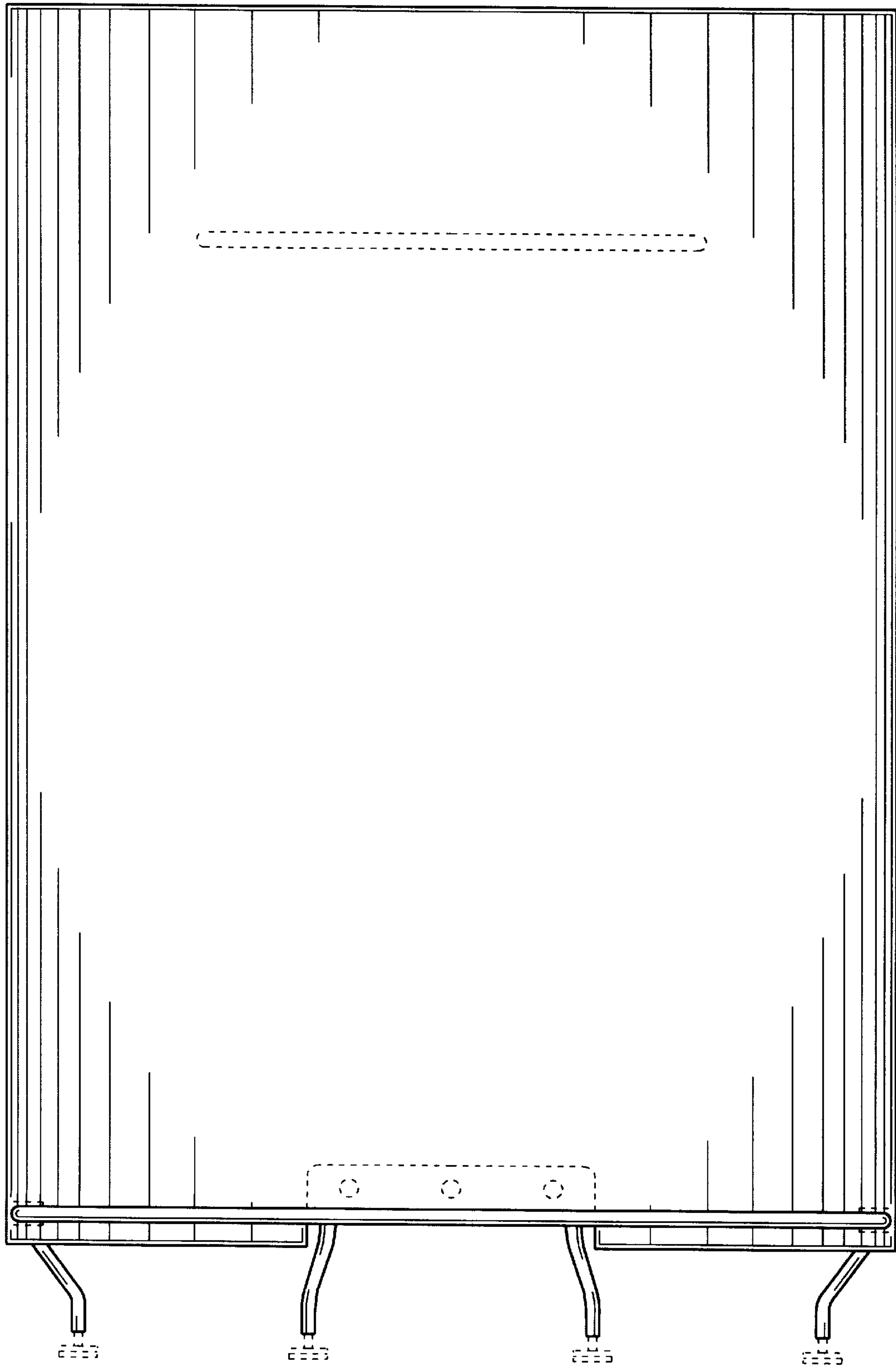


Figure 3

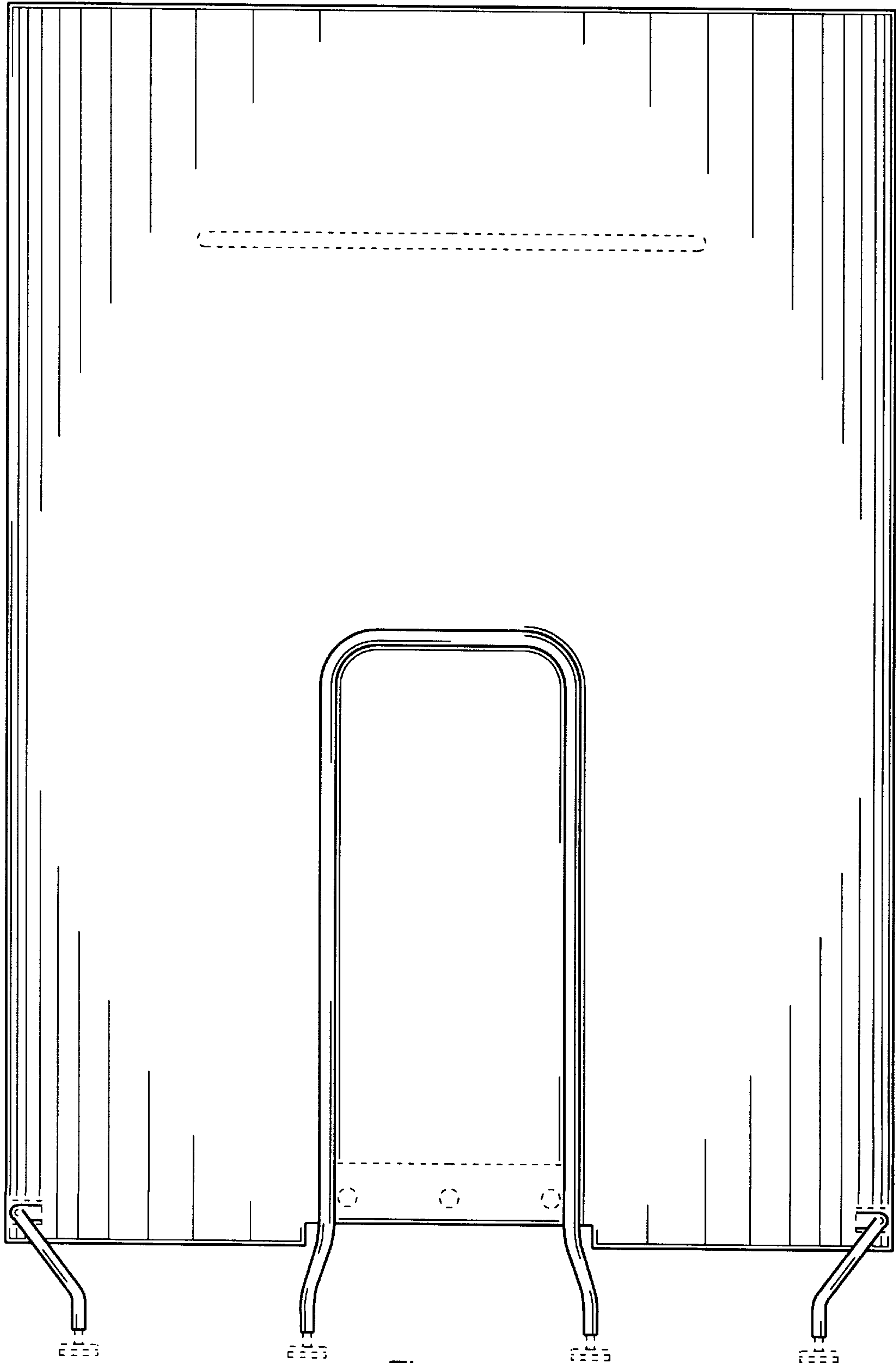


Figure 4

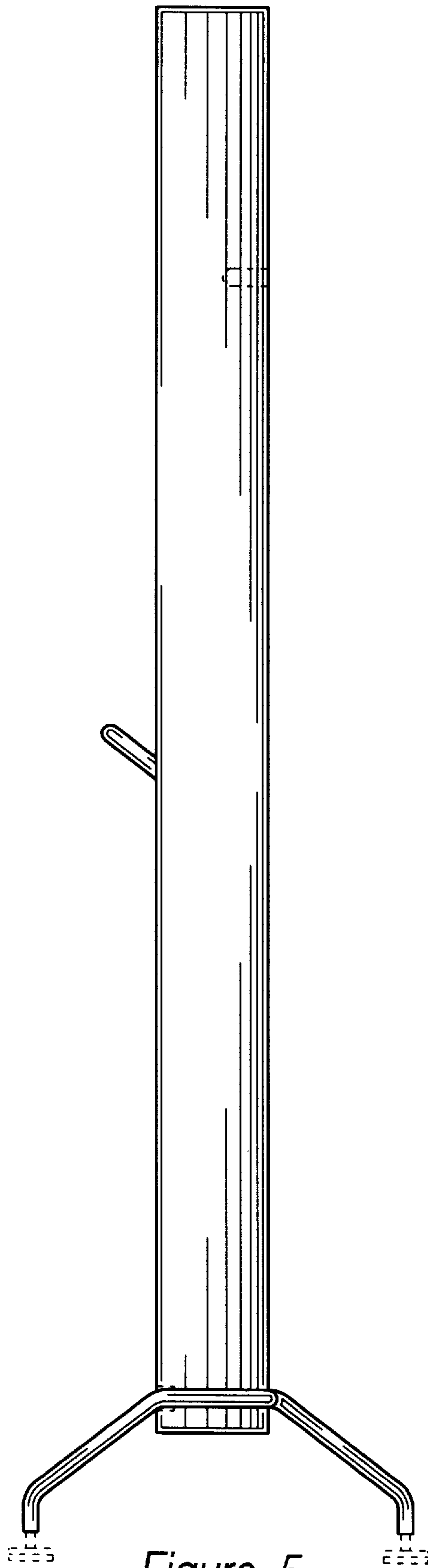


Figure 5

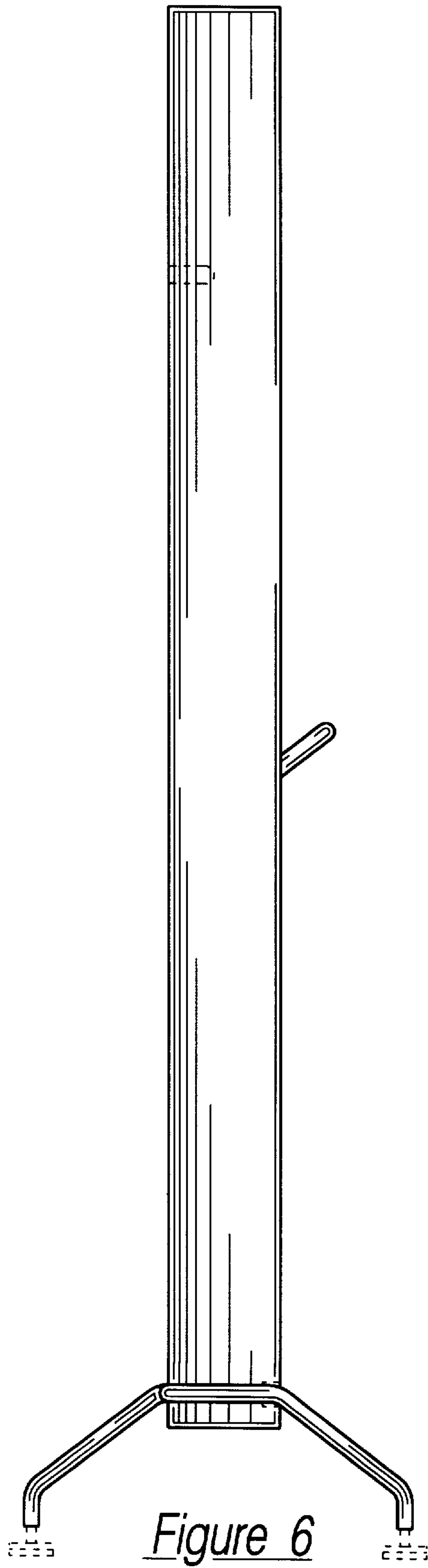


Figure 6

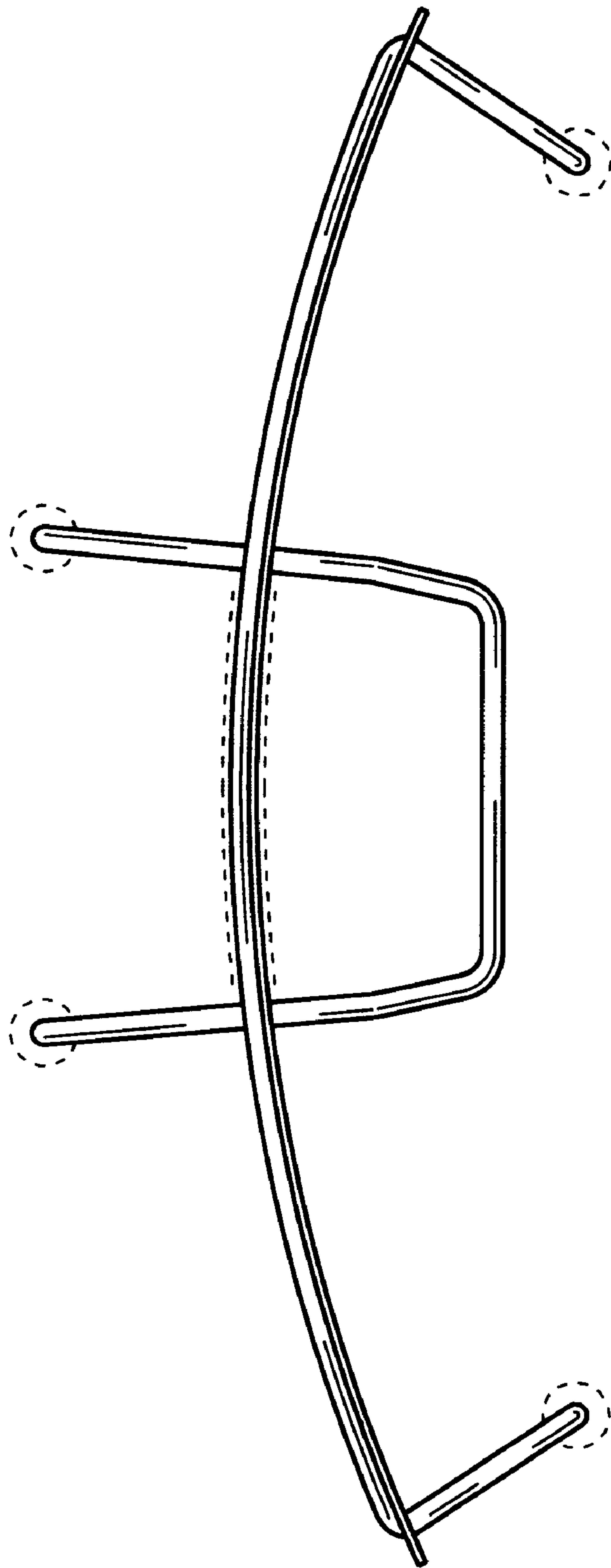


Figure 7

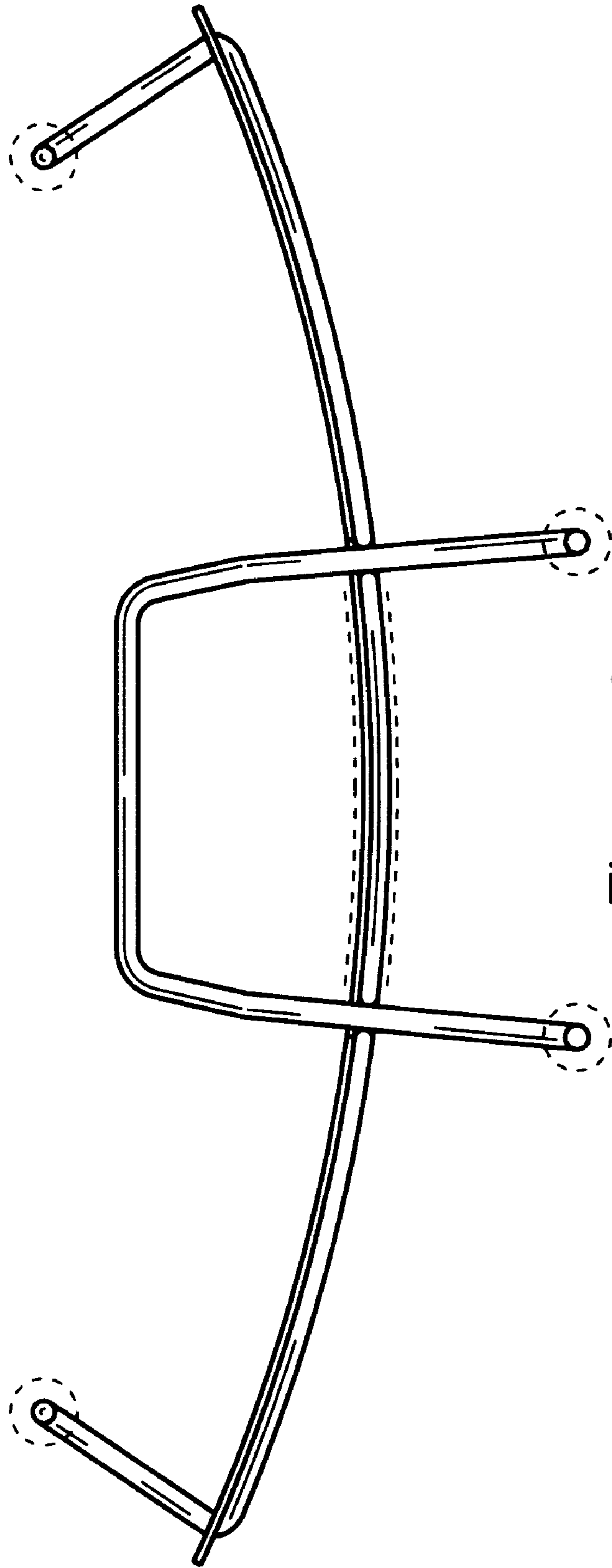


Figure 8