



US00D449165B1

(12) **United States Design Patent**  
**van der Hulst**

(10) **Patent No.:** **US D449,165 S**

(45) **Date of Patent:** **\*\* Oct. 16, 2001**

(54) **SMALL BOX MADE OF PLATE MATERIAL**

(76) **Inventor:** **P. C. M. van der Hulst**, Anjerhof 4,  
1431 Aalsmeer (NL)

(\*\*) **Term:** **14 Years**

(21) **Appl. No.:** **29/124,533**

(22) **Filed:** **Jun. 7, 2000**

(51) **LOC (7) Cl.** ..... **03-01**

(52) **U.S. Cl.** ..... **D3/294; D9/420**

(58) **Field of Search** ..... D3/273, 294, 295;  
D9/420, 423, 424; 206/216, 566, 508, 509;  
220/352, 353, 335, 337, 339

(56) **References Cited**

**U.S. PATENT DOCUMENTS**

D. 289,262	*	4/1987	Goetz et al.	.....	D9/420
D. 315,954	*	4/1991	Berland	.....	D3/294
D. 353,744	*	12/1994	Ferris et al.	.....	D7/629
D. 363,669	*	10/1995	Pennoyer, Jr.	.....	D9/423
D. 367,211	*	2/1996	Cautereels	.....	D3/294
D. 371,962	*	7/1996	Petruzzi	.....	D9/423
D. 400,011	*	10/1998	Palmer et al.	.....	D3/294
D. 406,057	*	2/1999	Hager	.....	D9/420

D. 411,040	*	6/1999	Gilbertson et al.	.....	D3/294
D. 418,297	*	1/2000	Budert	.....	D3/294
D. 442,780	*	5/2001	Hiernard	.....	D3/294

\* cited by examiner

*Primary Examiner*—Philip S. Hyder

(74) *Attorney, Agent, or Firm*—Lee, Mann, Smith,  
McWilliams, Sweeney & Ohlson

(57) **CLAIM**

The ornamental design for a small box made of plate material, as shown.

**DESCRIPTION**

FIG. 1 is a perspective view of my small box with the lid partially open;

FIG. 2 is a perspective view of my small box with the lid open;

FIG. 3 is a right side elevation of my small box;

FIG. 4 is a rear elevation of my small box;

FIG. 5 is a front elevation of my small box;

FIG. 6 is a top plan view of my small box; and,

FIG. 7 is a bottom plan view of my small box.

**1 Claim, 2 Drawing Sheets**

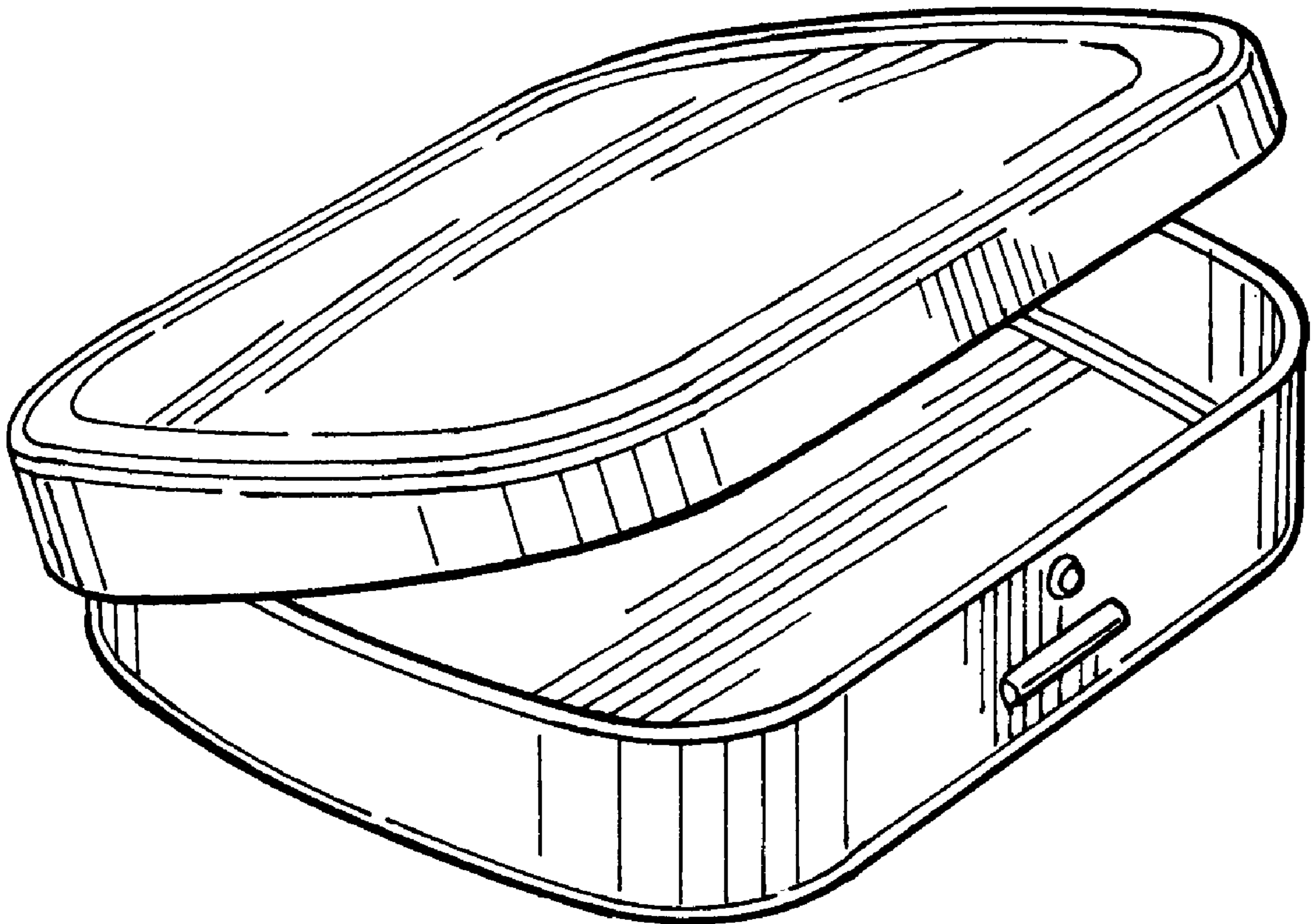


FIG. 1

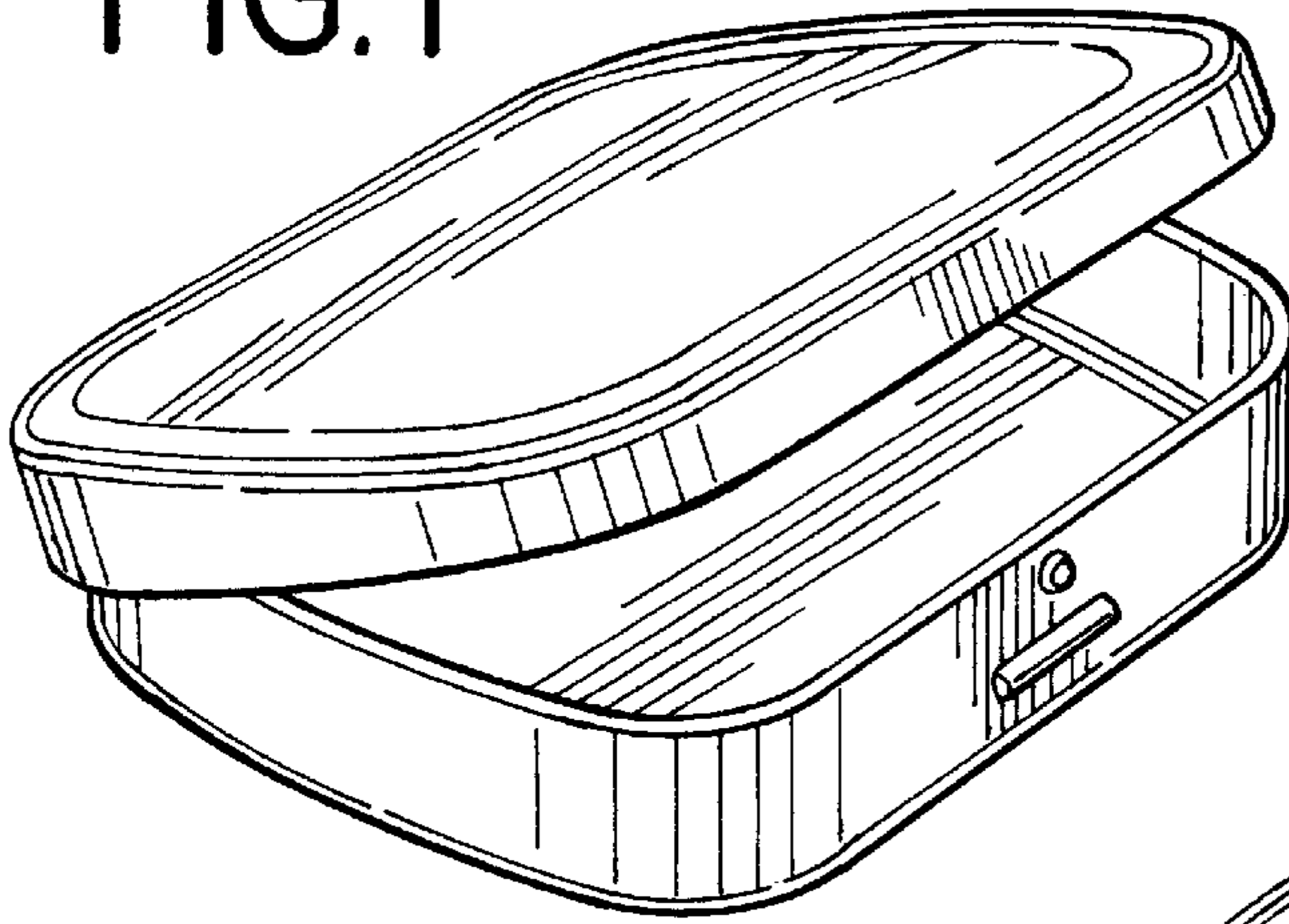


FIG. 2

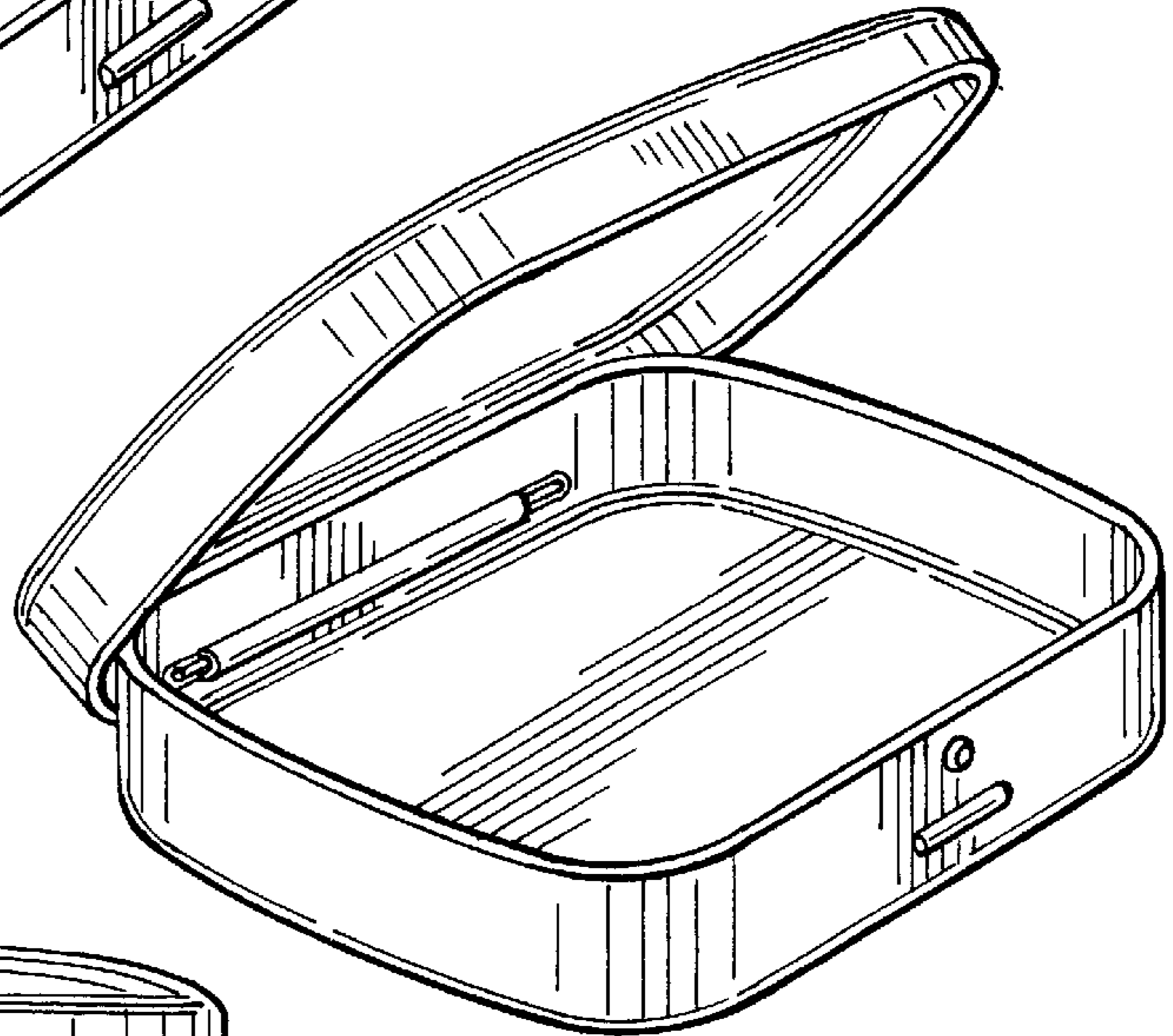


FIG. 3

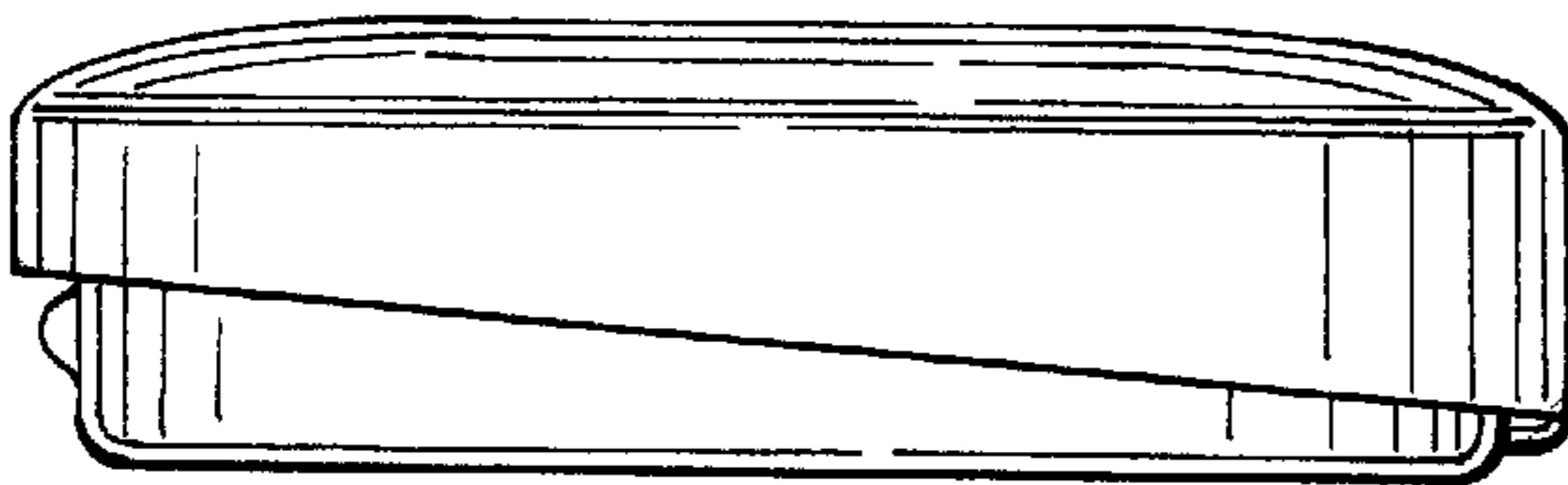


FIG. 4

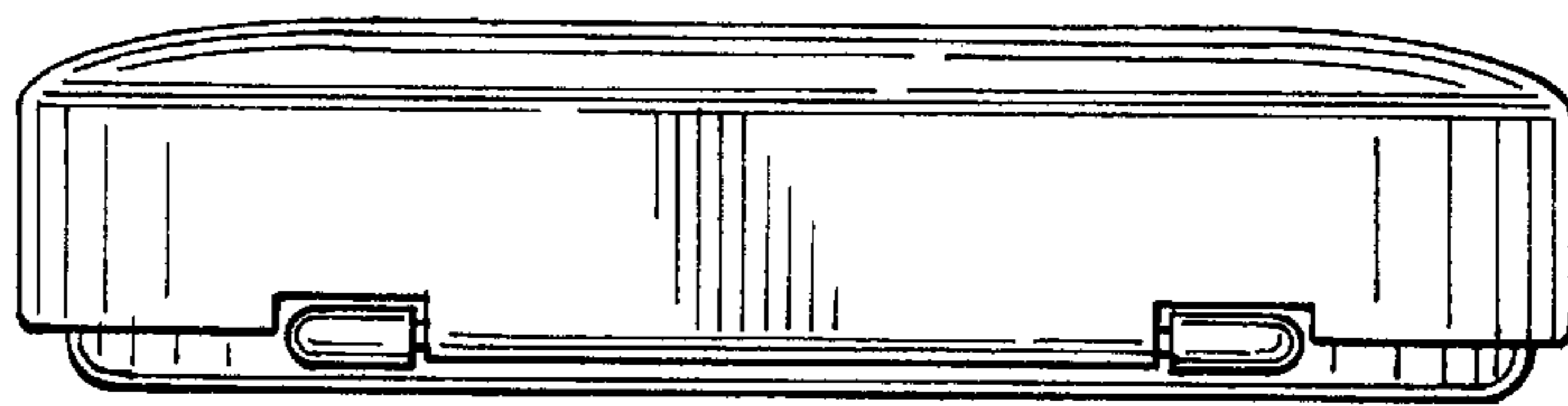


FIG. 5

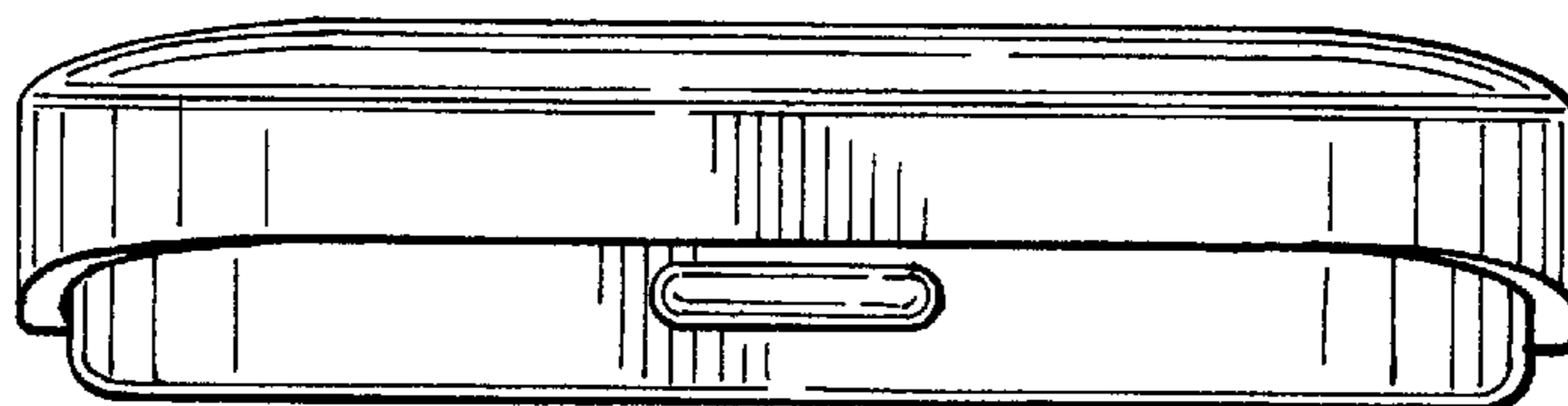


FIG.6

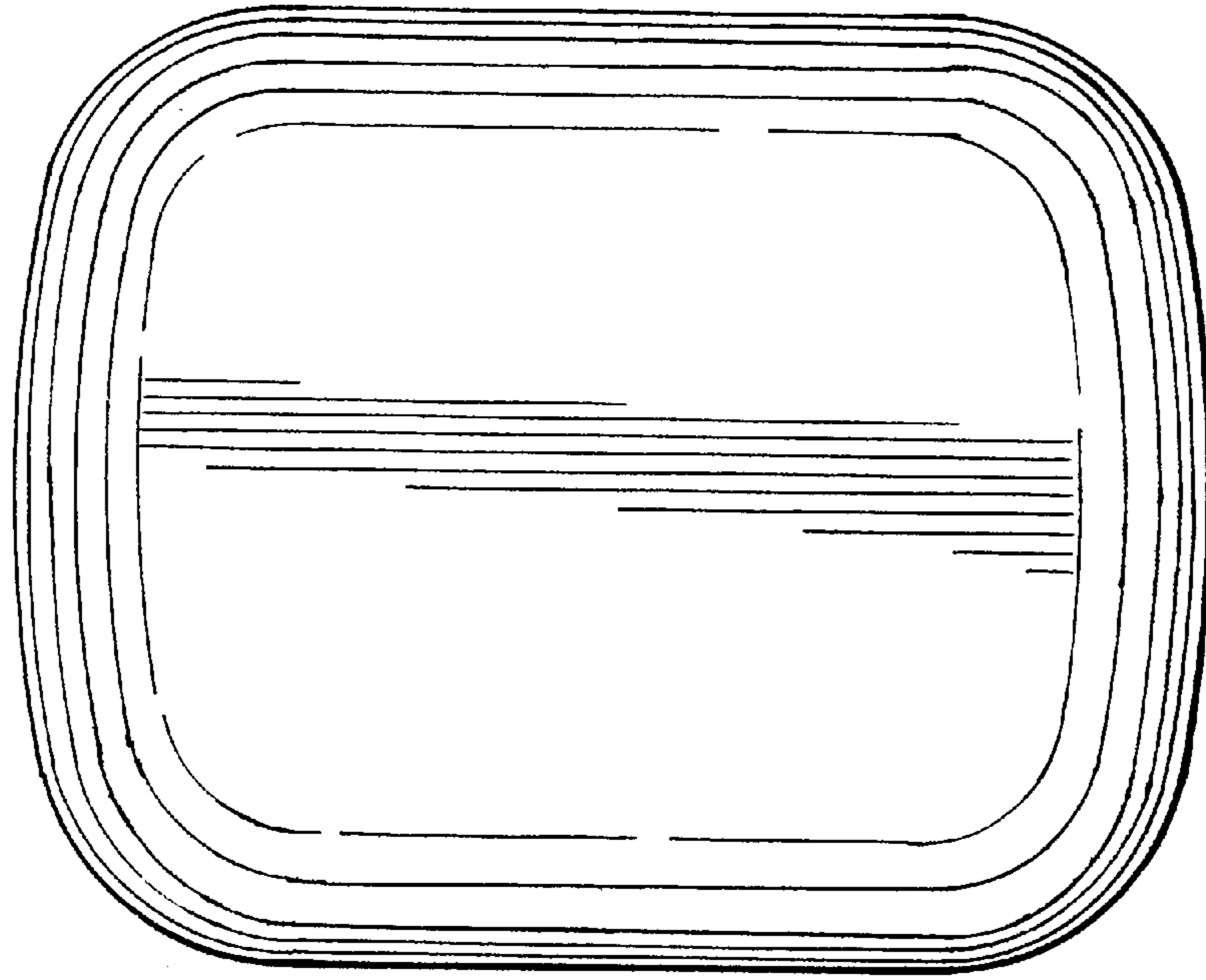


FIG.7

