



US00D449161B1

(12) **United States Design Patent**  
**Gillespie et al.**

(10) **Patent No.:** **US D449,161 S**

(45) **Date of Patent:** **\*\* Oct. 16, 2001**

- (54) **SECURITY CASE**
- (75) Inventors: **Duane E. Gillespie**, Ellis, KS (US);  
**Leung Yiu Ming**, Happy Valley (HK)
- (73) Assignee: **Geoffrey, Inc.**, Paramus, NJ (US)
- (\*\*) Term: **14 Years**
- (21) Appl. No.: **29/116,878**
- (22) Filed: **Jan. 12, 2000**

4,966,020	10/1990	Fotheringham et al. ....	70/276
4,972,690	11/1990	O'Sullivan .....	70/63
5,375,708	12/1994	Wittman .....	206/315.1
5,375,712	12/1994	Weisburn .....	206/387
5,390,515	2/1995	Essick .....	70/63
5,460,266	10/1995	Mundorf et al. ....	206/309
5,588,315	12/1996	Holmgren .....	70/57.1
5,597,068	1/1997	Weisburn et al. ....	206/308.1
5,598,728	2/1997	Lax .....	70/276
5,680,782	10/1997	Komatsu et al. ....	70/54.1
5,768,922	6/1998	Lax .....	70/276
5,782,350	7/1998	Weisburn et al. ....	206/308.2
5,823,341	10/1998	Nakasuji .....	206/387.11

**Related U.S. Application Data**

- (63) Continuation of application No. 09/353,991, filed on Jul. 15, 1999, now Pat. No. 6,240,750.
- (51) **LOC (7) Cl.** ..... **03-01**
- (52) **U.S. Cl.** ..... **D3/276; D99/28**
- (58) **Field of Search** ..... **D3/273, 276, 294;**  
**D99/28; D6/432; 206/308.1, 308.2, 309;**  
**70/276, 57.1, 387, 58, 63**

\* cited by examiner

*Primary Examiner*—Philip S. Hyder  
(74) *Attorney, Agent, or Firm*—Darby & Darby

(57) **CLAIM**

The ornamental design for a security case, as shown and described.

**DESCRIPTION**

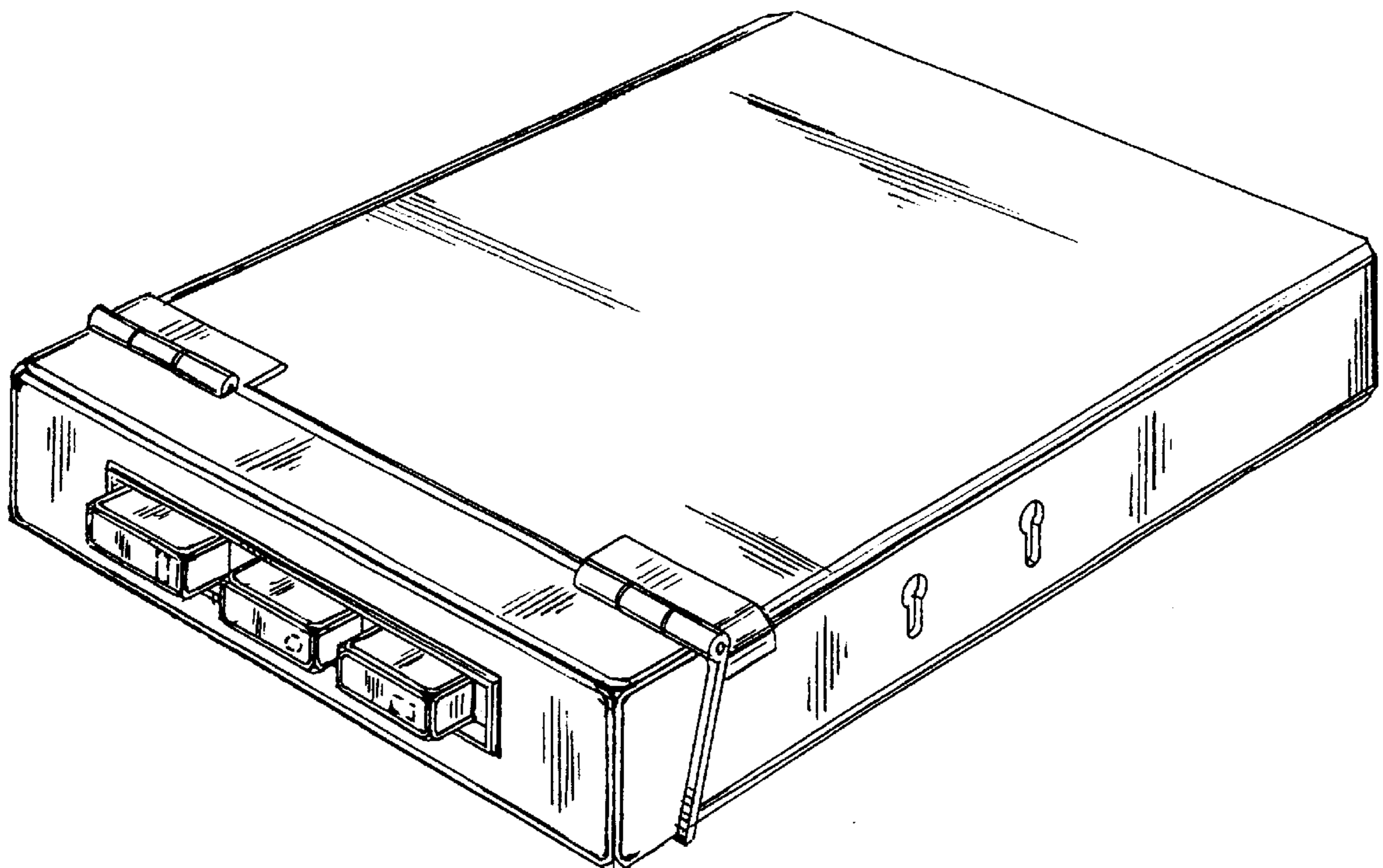
(56) **References Cited**

**U.S. PATENT DOCUMENTS**

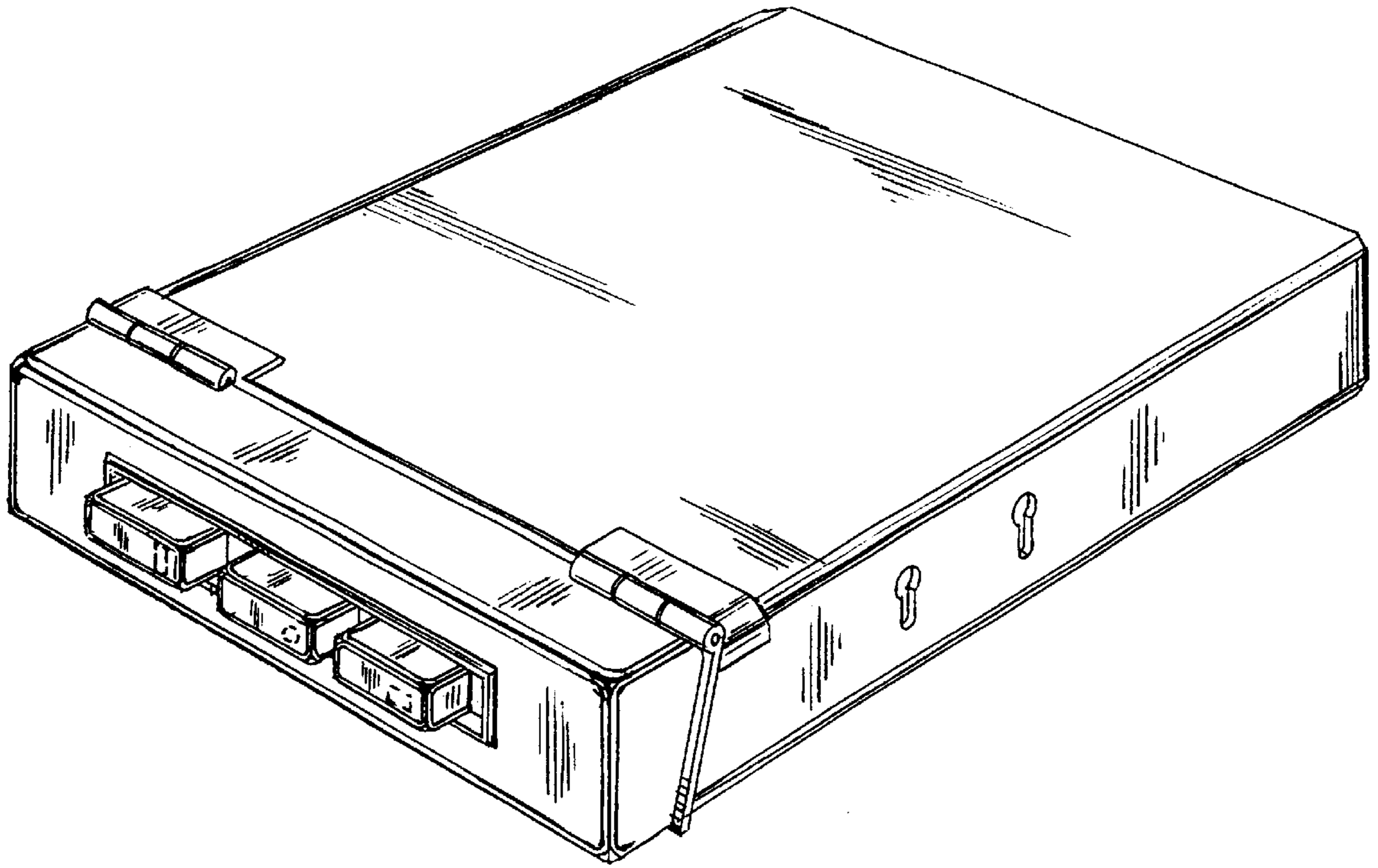
D. 263,100	*	2/1982	Thompson .....	D6/432
D. 266,199	*	9/1982	Schattner et al. ....	D99/28
D. 310,304	*	9/1990	Carmichael .....	D99/28
D. 319,329	*	8/1991	Ogasawara et al. ....	D99/28
D. 375,608	*	11/1996	Berry .....	D99/28
D. 376,691	*	12/1996	Nas et al. ....	D99/28
D. 386,307	*	11/1997	Naas et al. ....	D99/28
D. 393,526	*	4/1998	Robey et al. ....	D99/28
D. 399,632	*	10/1998	Davis et al. ....	D99/28
4,871,065		10/1989	Hehn et al. ....	206/387

FIG. 1 is a perspective view of a security case showing our new design;  
FIG. 2 is a front view of the security case shown in FIG. 1;  
FIG. 3 is a right side view of the security case shown in FIG. 1, the left side view being a mirror image thereof;  
FIG. 4 is a rear view of the security case shown in FIG. 1;  
FIG. 5 is a top view of the security case shown in FIG. 1;  
and,  
FIG. 6 is a bottom view of the security case shown in FIG. 1.

**1 Claim, 4 Drawing Sheets**



**FIG. 1**



**FIG. 2**

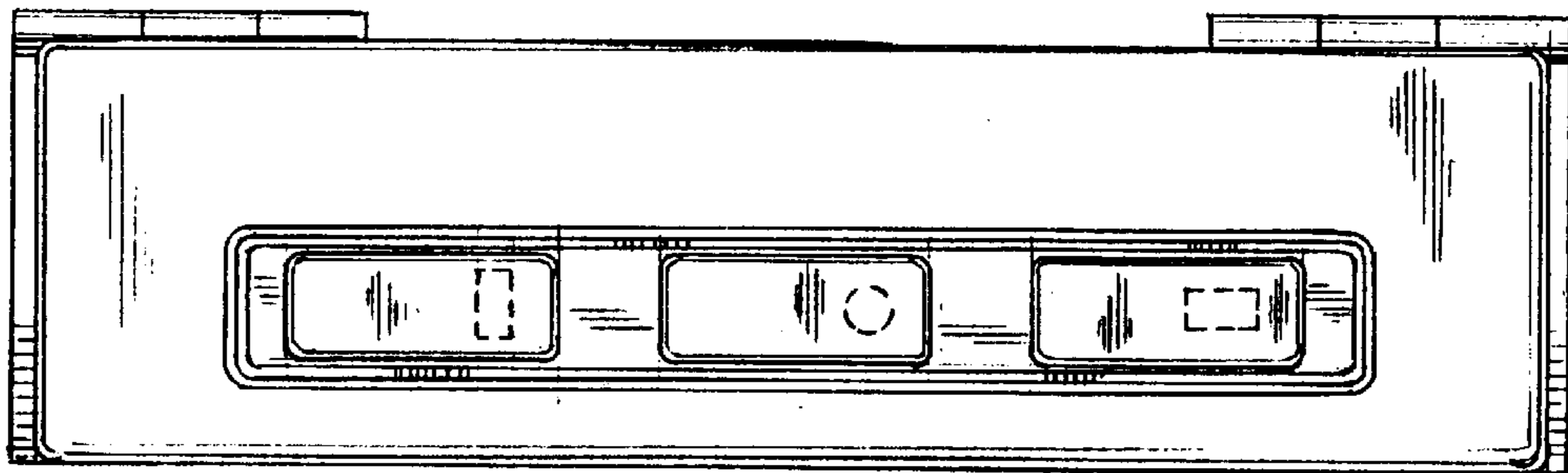


FIG. 3

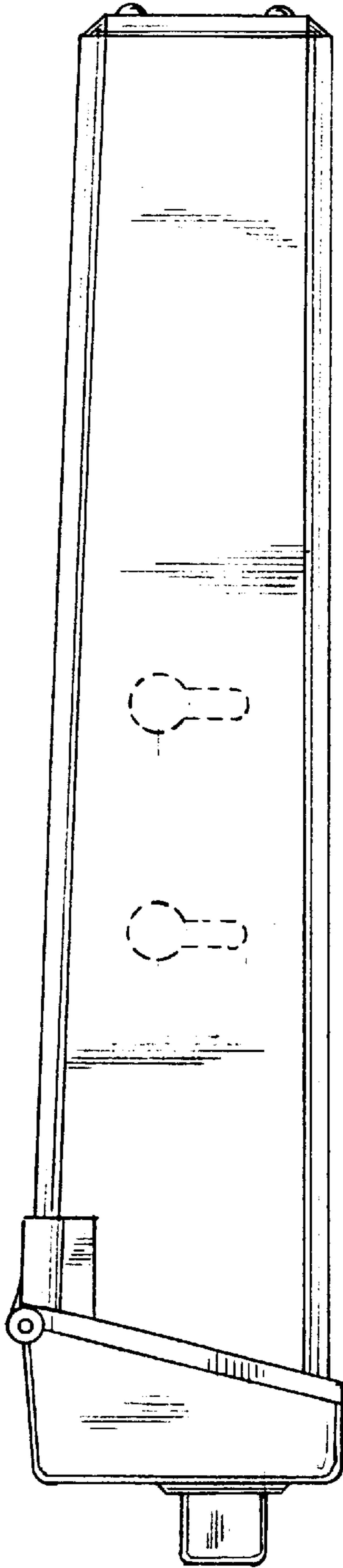
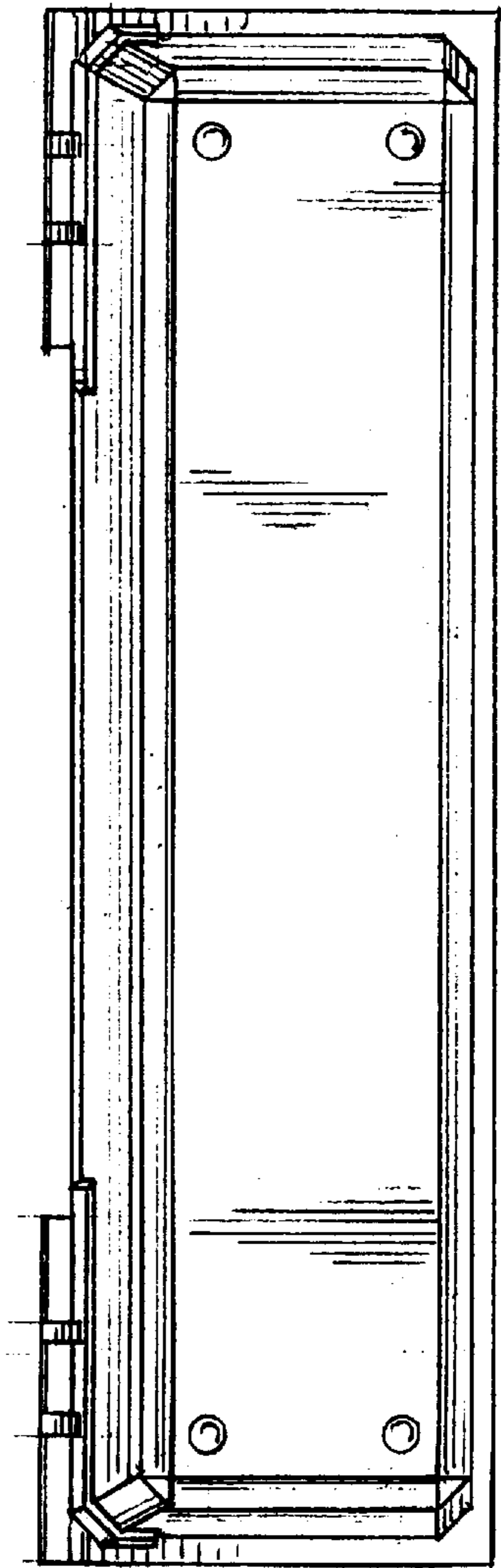
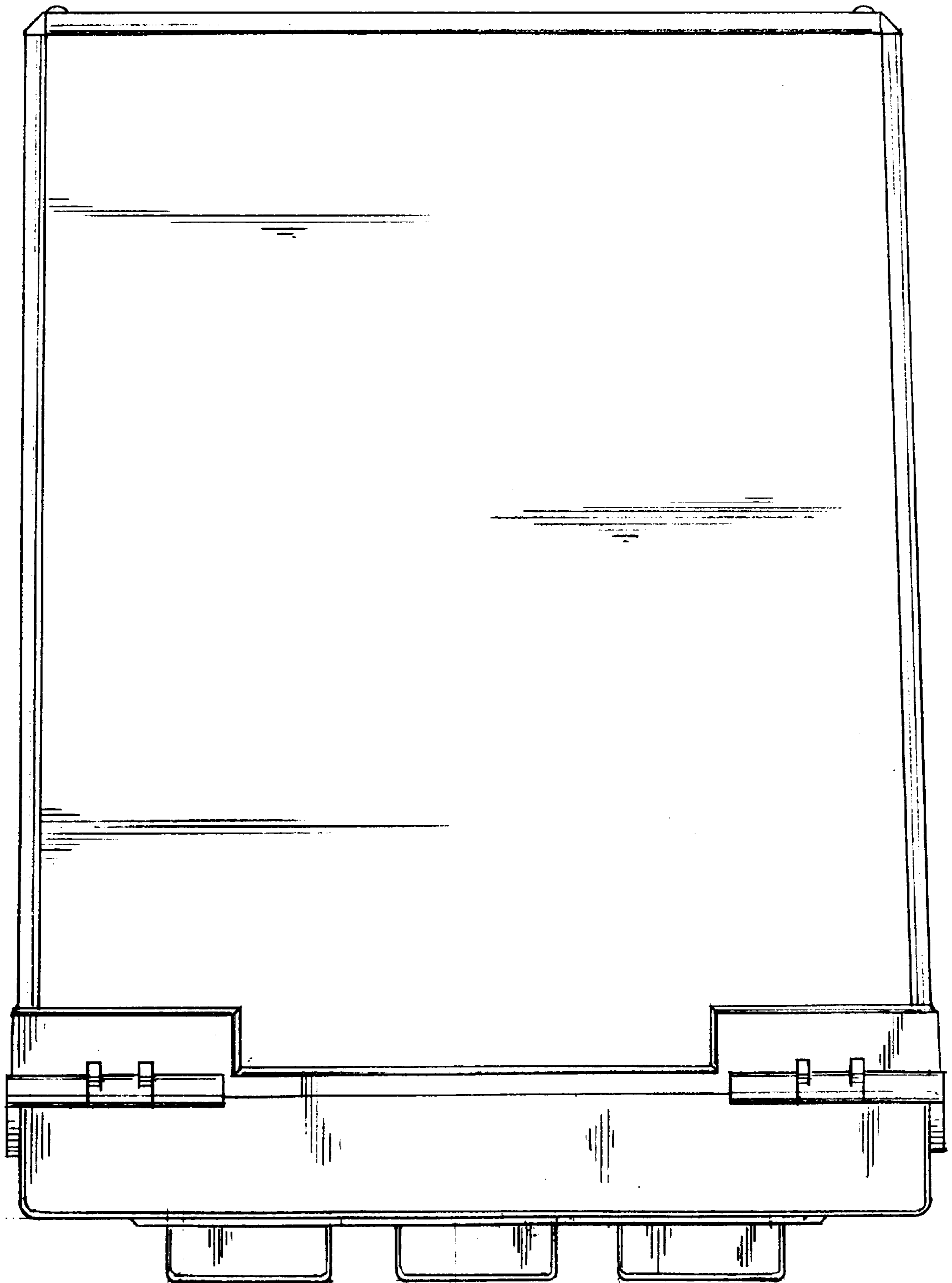


FIG. 4



# FIG. 5





# FIG. 6

