



US00D449159B1

(12) **United States Design Patent**  
**Breault**

(10) **Patent No.:** **US D449,159 S**

(45) **Date of Patent:** **\*\* Oct. 16, 2001**

(54) **FISHERMAN'S CARRYING DEVICE**

5,657,883 8/1997 Badia ..... 211/70.8

5,836,103 11/1998 Taylor ..... 43/26

6,047,491 4/2000 De Busk ..... 43/21.2

(76) Inventor: **Jeffrey L. Breault**, 111 West St.,  
Lunenburg, MA (US) 01462

(\*\*) Term: **14 Years**

\* cited by examiner

*Primary Examiner*—Philip S. Hyder

(74) *Attorney, Agent, or Firm*—Norman B. Rainer

(21) Appl. No.: **29/132,321**

(22) Filed: **Nov. 8, 2000**

(57) **CLAIM**

(51) **LOC (7) Cl.** ..... **03-01**

The ornamental design for a fisherman's carrying device, as shown and described.

(52) **U.S. Cl.** ..... **D3/260; D3/315**

(58) **Field of Search** ..... D3/260, 315; 206/315.1,  
206/315.11, 443; 43/26, 21.2, 54.1, 57.1

**DESCRIPTION**

(56) **References Cited**

FIG. 1 is a front view of a fisherman's carrying device, showing my new design;

FIG. 2 is a top plan view thereof;

FIG. 3 is a rear view thereof;

FIG. 4 is an end view thereof, the unshown opposite end being a mirror image;

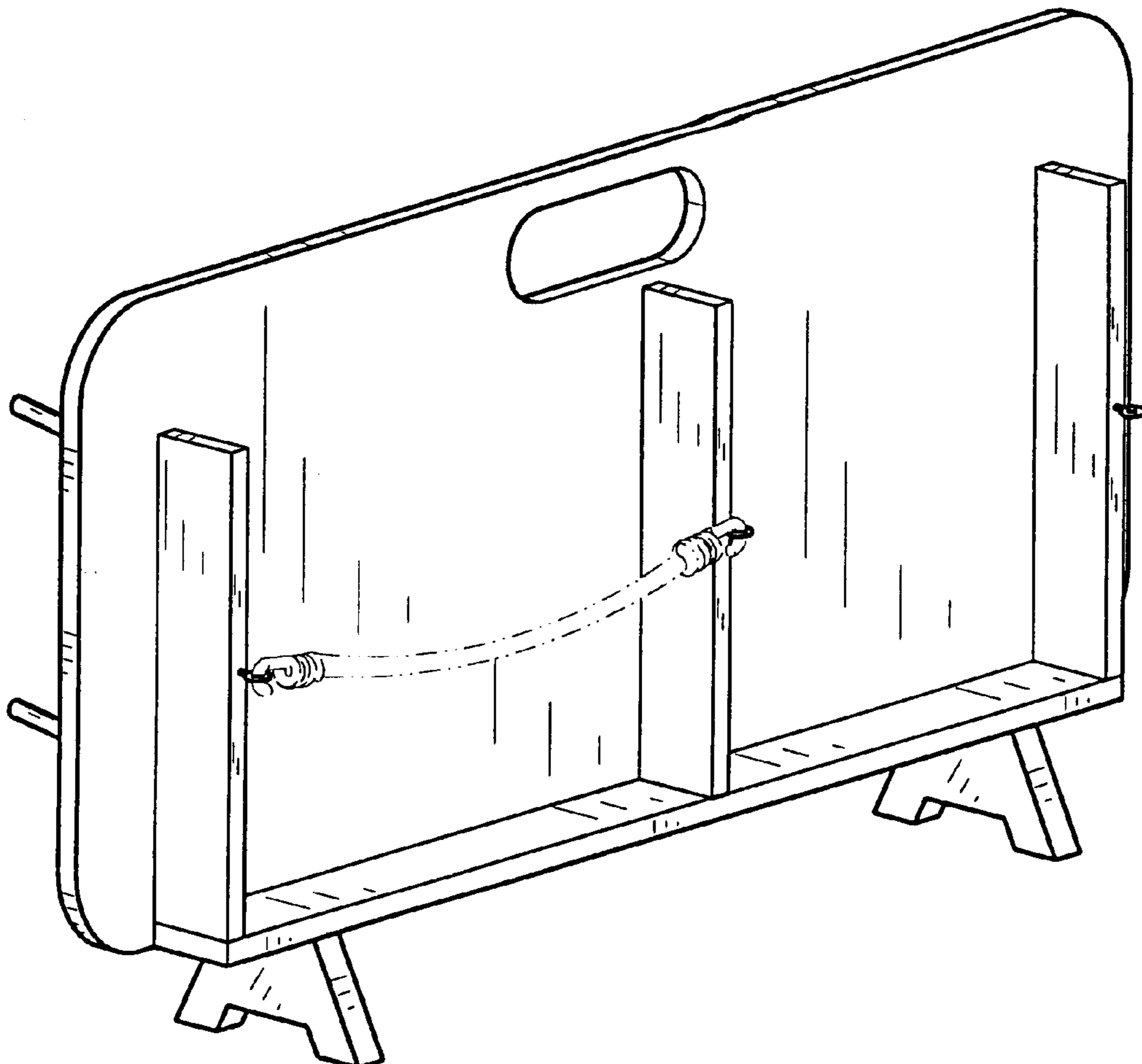
FIG. 5 is a perspective rear view thereof; and,

FIG. 6 is a perspective front view thereof; the retaining cords, shown in phantom outline in all views, being no part of the claimed design.

**U.S. PATENT DOCUMENTS**

D. 311,368	*	10/1990	Garcia	.....	D3/260
D. 318,371	*	7/1991	Leverette	.....	D3/260
D. 322,739	*	12/1991	Kashuba	.....	D3/315
D. 369,904	*	5/1996	Taylor	.....	D3/260
D. 379,560	*	6/1997	Baker et al.	.....	D3/260
D. 389,306	*	1/1998	McPherson	.....	D3/260
5,294,163	*	3/1994	Lang	.....	294/161
5,450,688		9/1995	Hall	.....	43/25
5,636,469		6/1997	Pizzolo et al.	.....	43/54.1

**1 Claim, 2 Drawing Sheets**



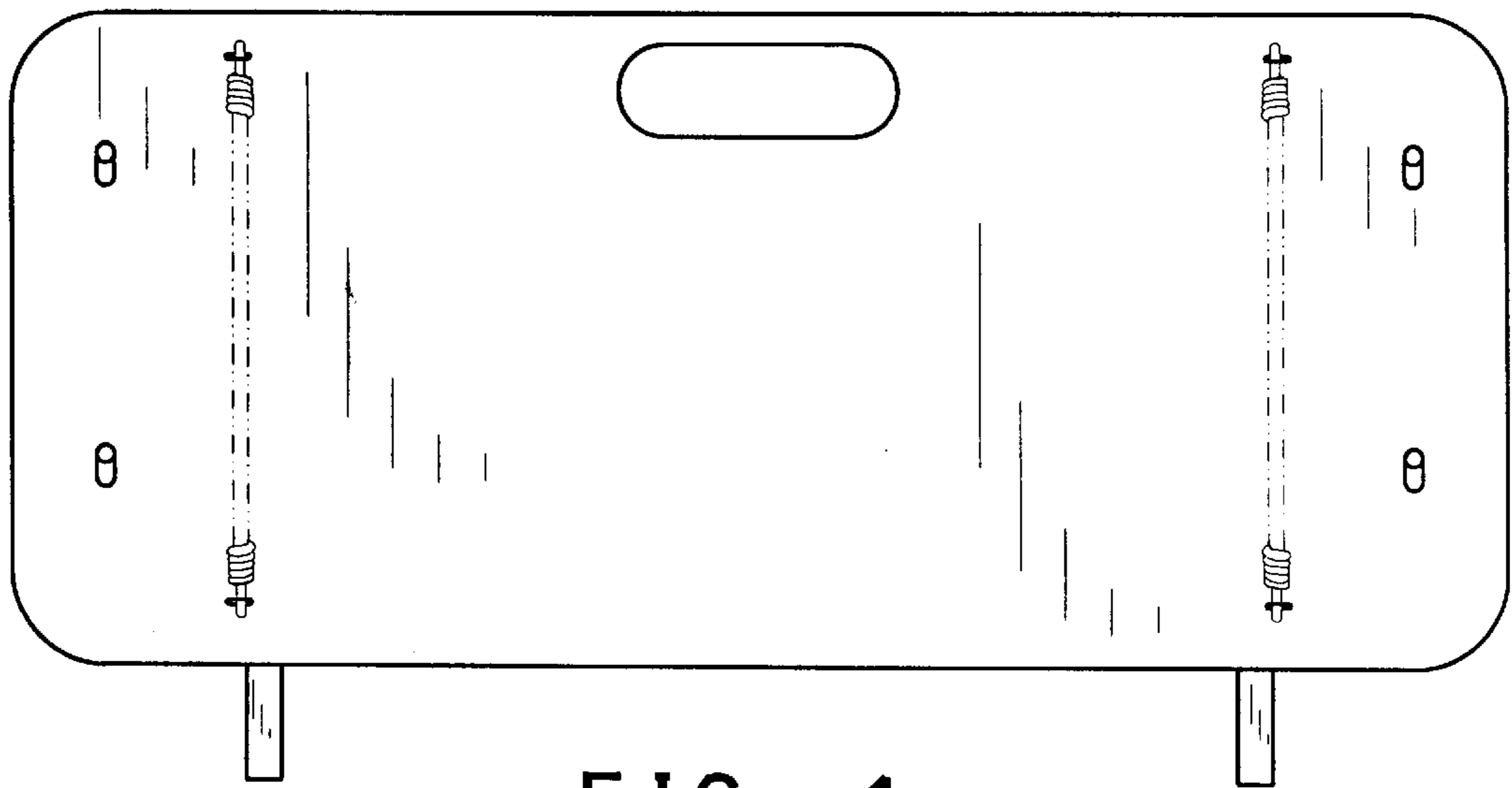


FIG. 1

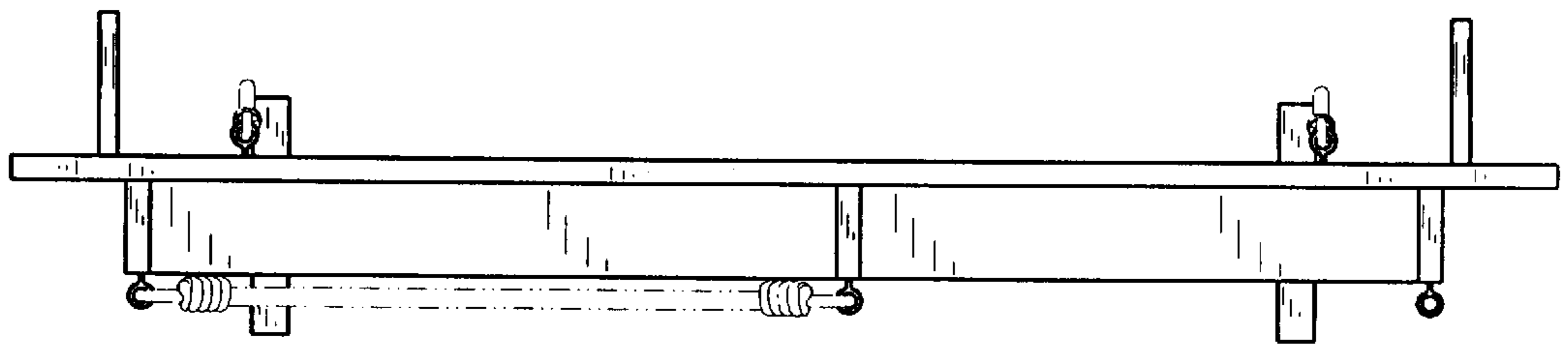


FIG. 2

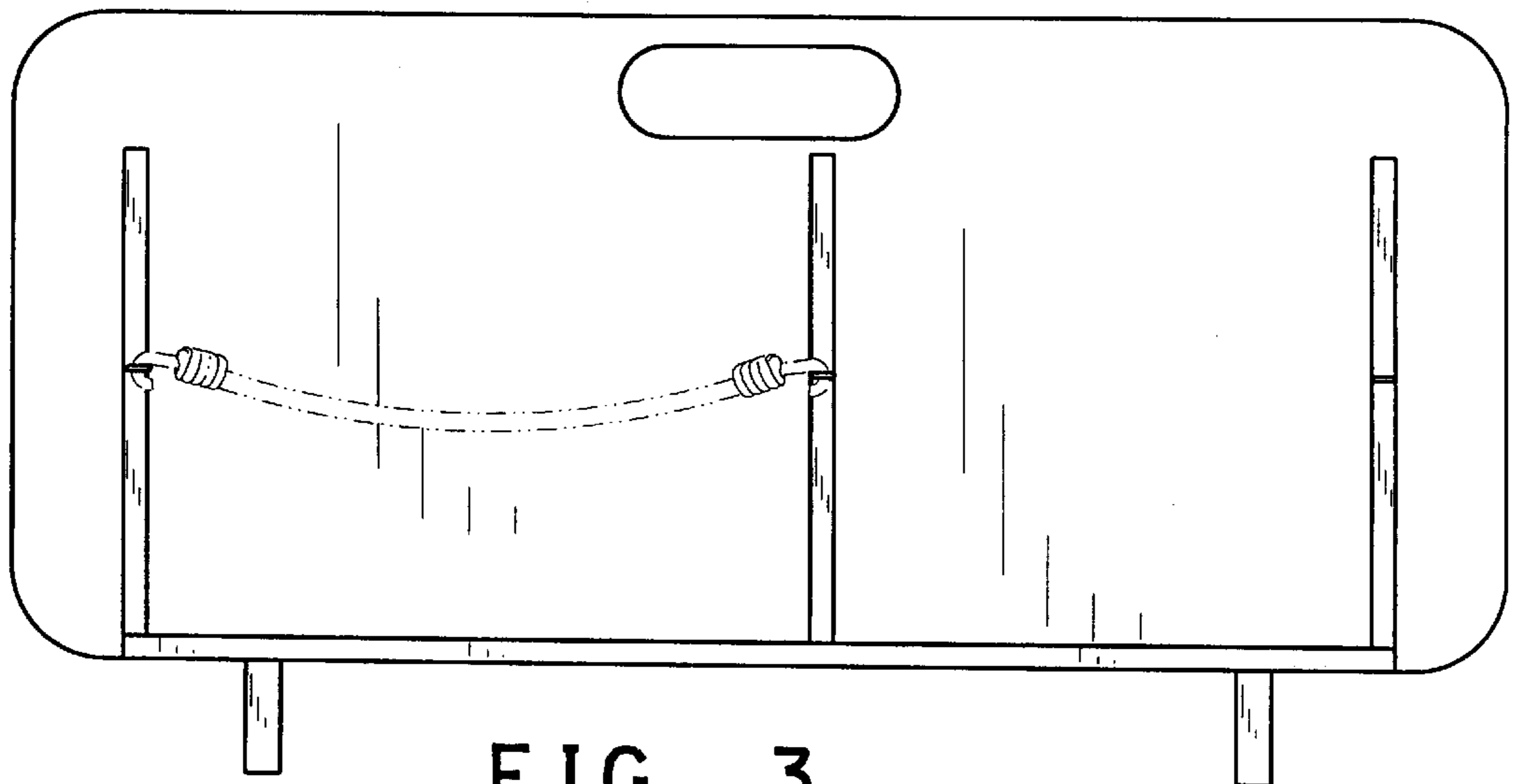


FIG. 3

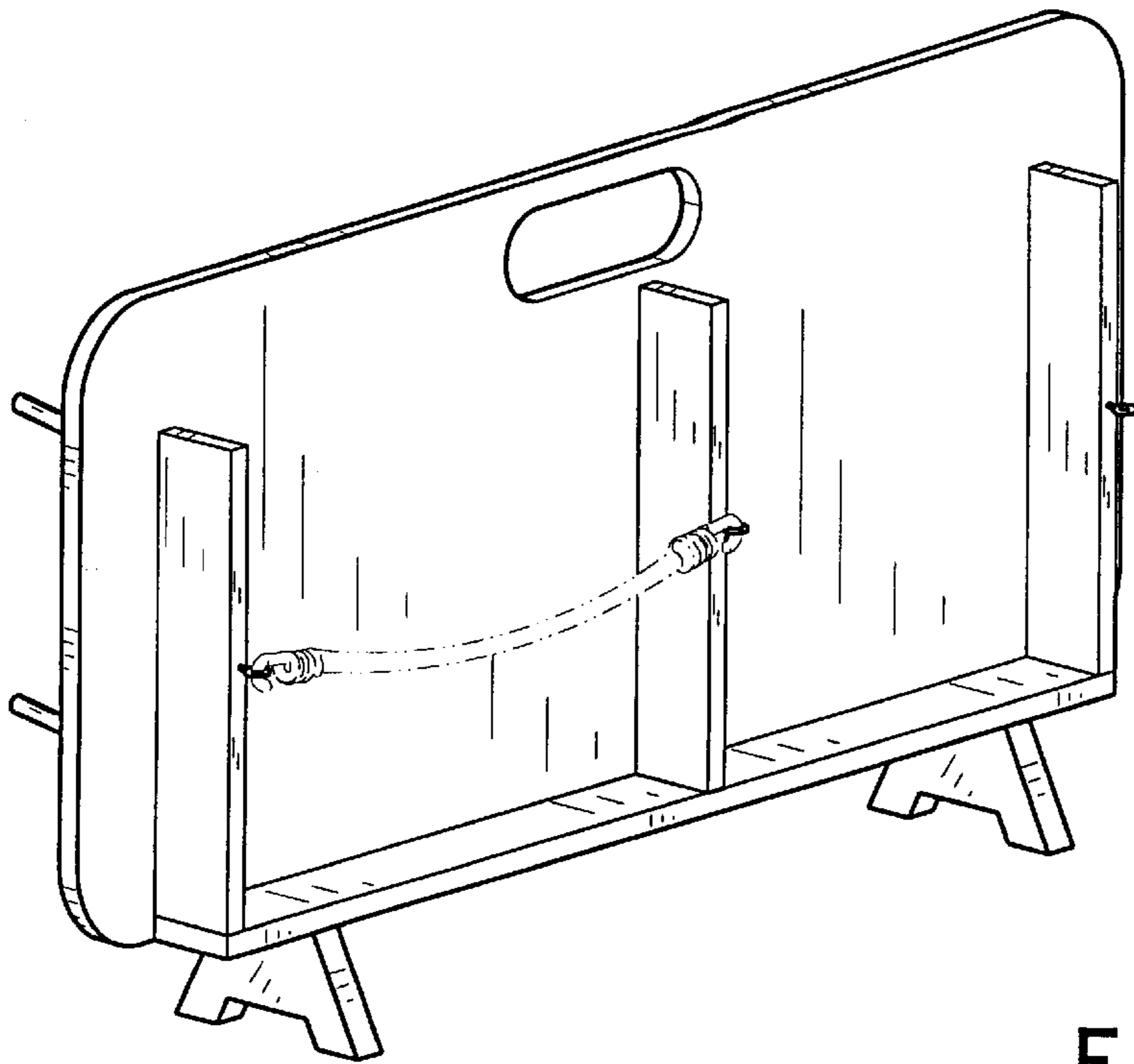


FIG. 5

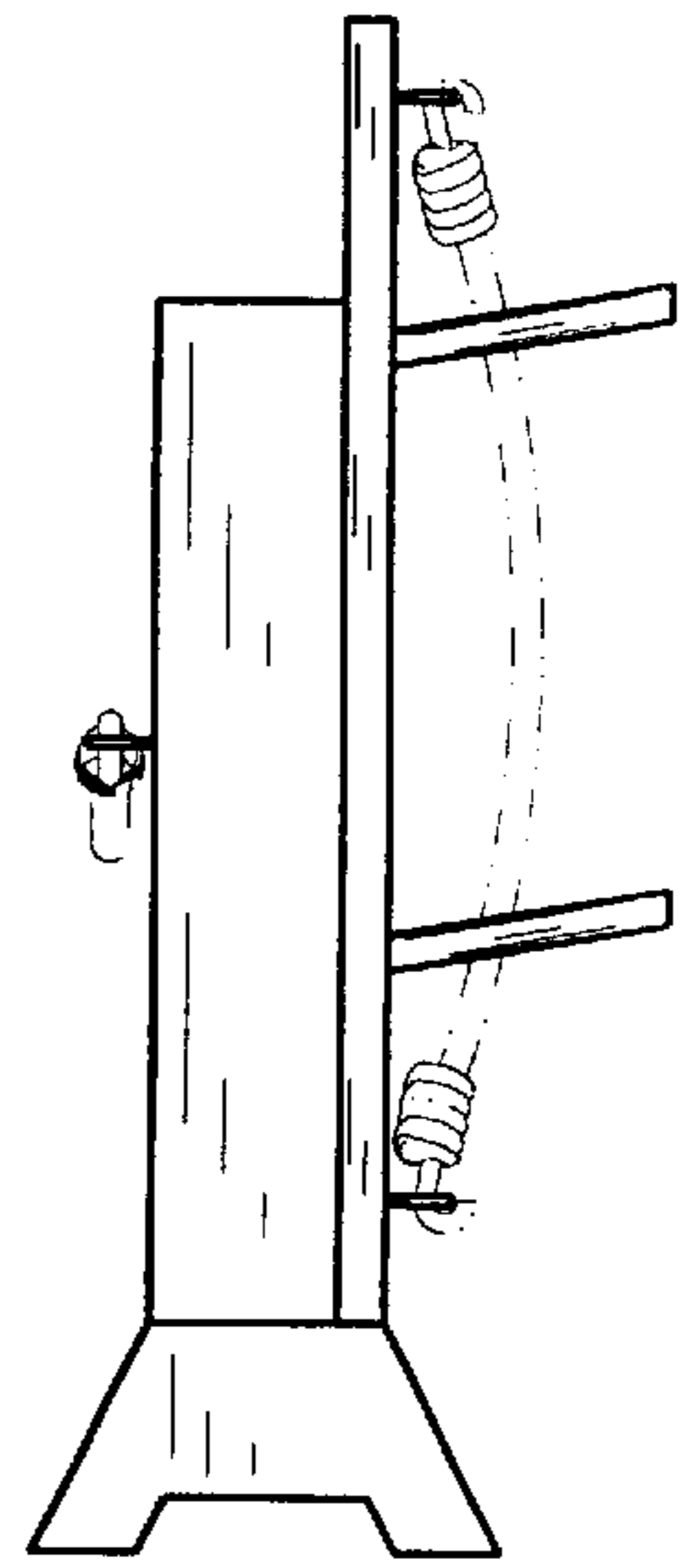


FIG. 4

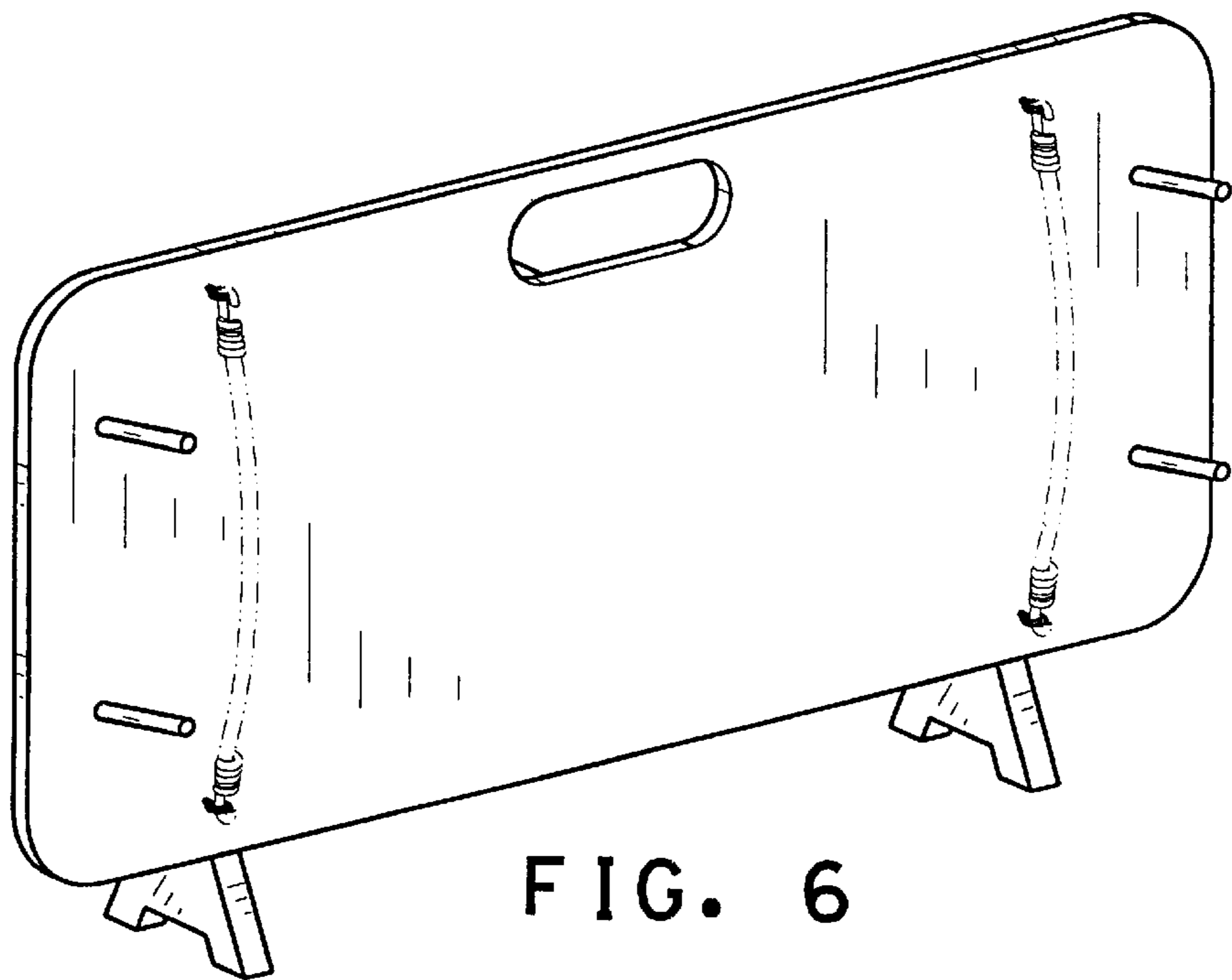


FIG. 6