



US00D449144B1

(12) **United States Design Patent**
Measom

(10) **Patent No.:** **US D449,144 S**

(45) **Date of Patent:** **** Oct. 9, 2001**

(54) **HAND TRUCK**

5,029,884 * 7/1991 Maendel 280/47.27
5,749,588 * 5/1998 Stallbaumer 280/47.27

(75) Inventor: **S. Ty Measom**, Logan, UT (US)

* cited by examiner

(73) Assignee: **Dutro Company**, Emeryville, CA (US)

Primary Examiner—Kay H. Chin

(**) Term: **14 Years**

(74) *Attorney, Agent, or Firm*—Harris Zimmerman

(21) Appl. No.: **29/131,848**

(57) **CLAIM**

(22) Filed: **Oct. 30, 2000**

The ornamental design for a hand truck, as shown and described.

(51) **LOC (7) Cl.** **12-02**

DESCRIPTION

(52) **U.S. Cl.** **D34/27; D34/24**

(58) **Field of Search** D34/12-27; 280/47.17,
280/47.19, 47.24, 47.26, 47.27, 47.28, 47.34,
79.1

FIG. 1 is a front perspective view of a hand truck showing my new design, the broken lines are for illustrative purposes only and form no part of the claimed design;

FIG. 2 is a front elevational view thereof;

FIG. 3 is a rear elevational view thereof;

FIG. 4 is a side elevational view thereof, the opposite side view being a mirror image of that shown;

FIG. 5 is a top plan view thereof; and,

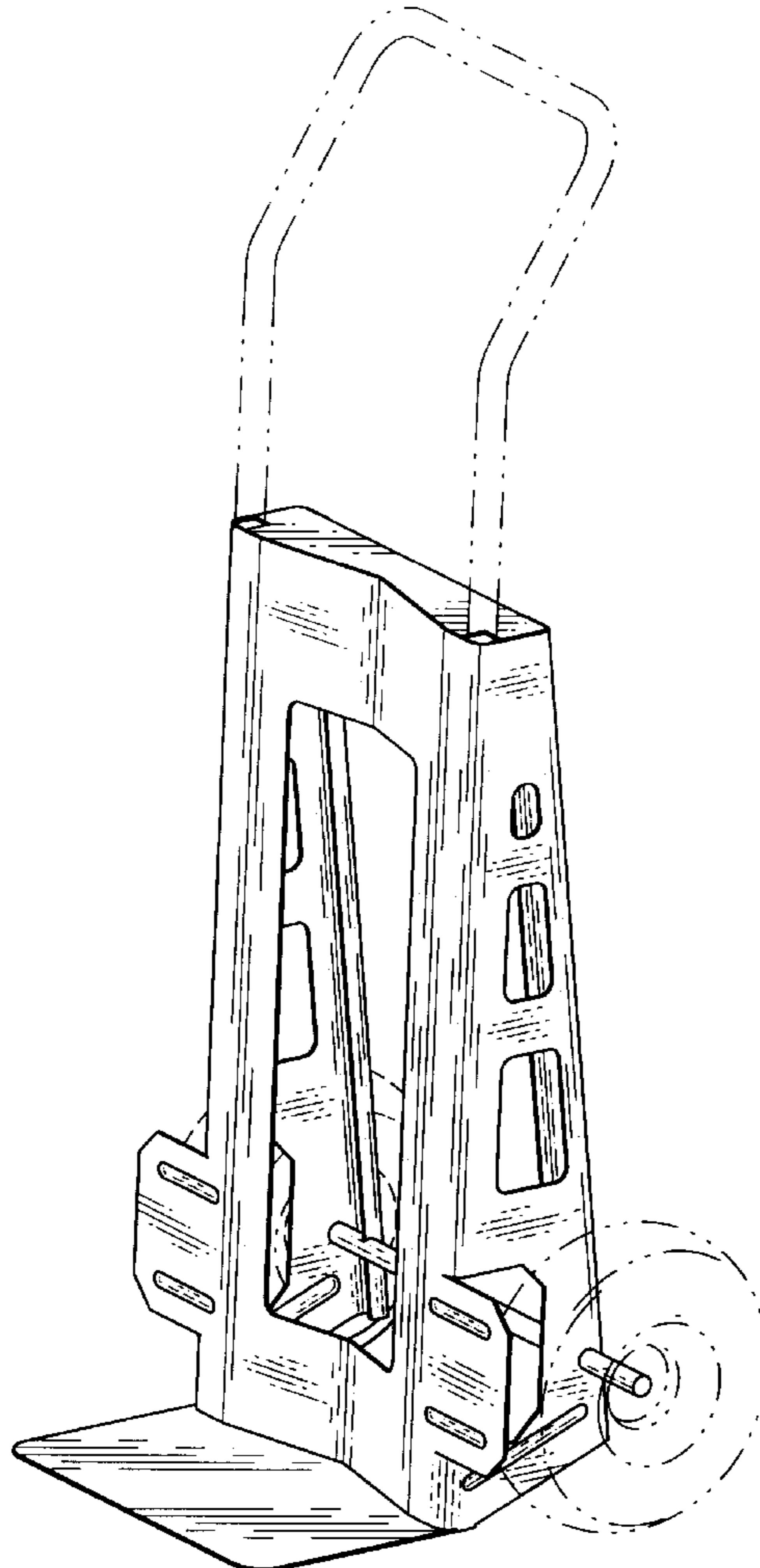
FIG. 6 is a bottom plan view thereof.

(56) **References Cited**

U.S. PATENT DOCUMENTS

- D. 161,105 * 12/1950 Haworth D34/26
- D. 311,083 * 10/1990 Dutro D34/26
- 2,953,388 * 9/1960 Keller et al. 280/47.24
- 3,857,579 * 12/1974 Hoodenpyle 280/47.2

1 Claim, 2 Drawing Sheets



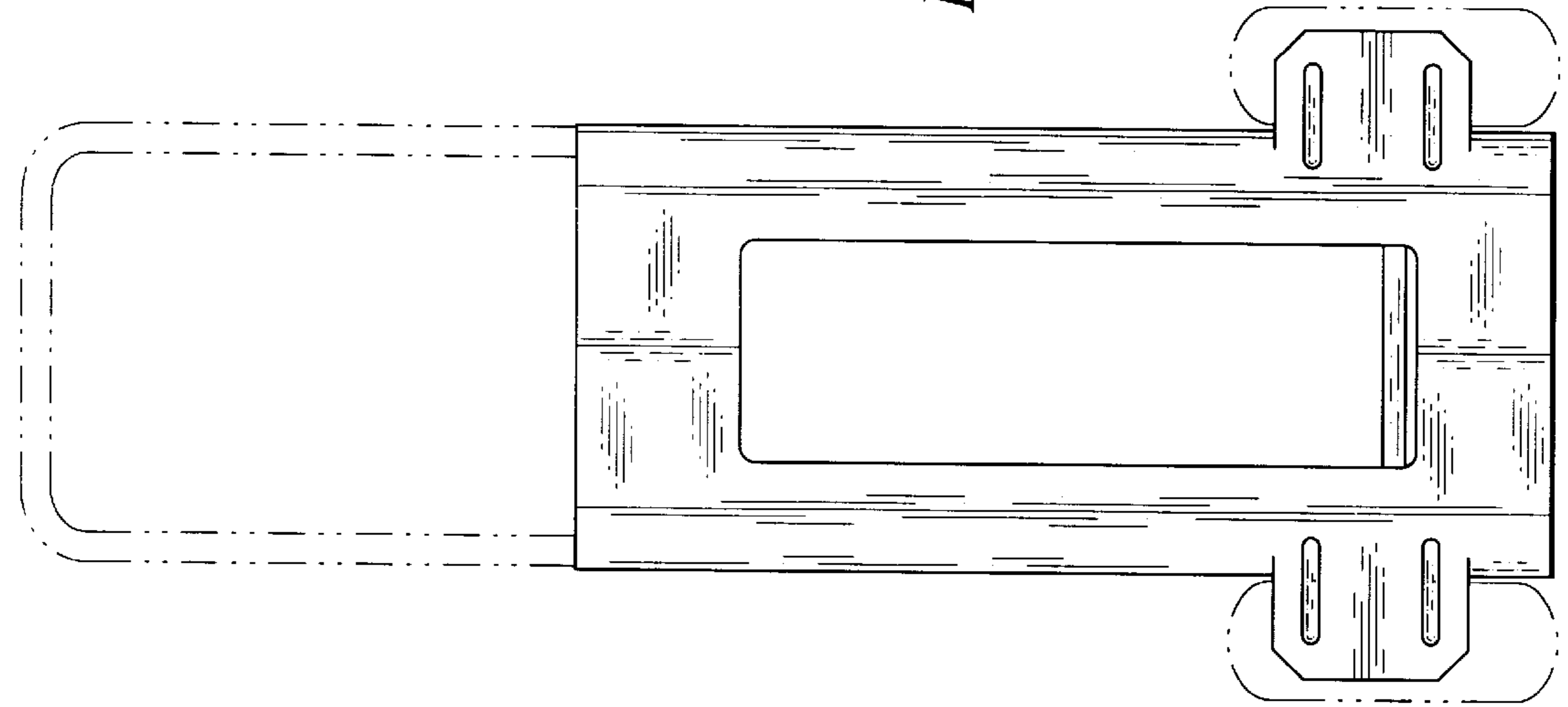


Fig. 2

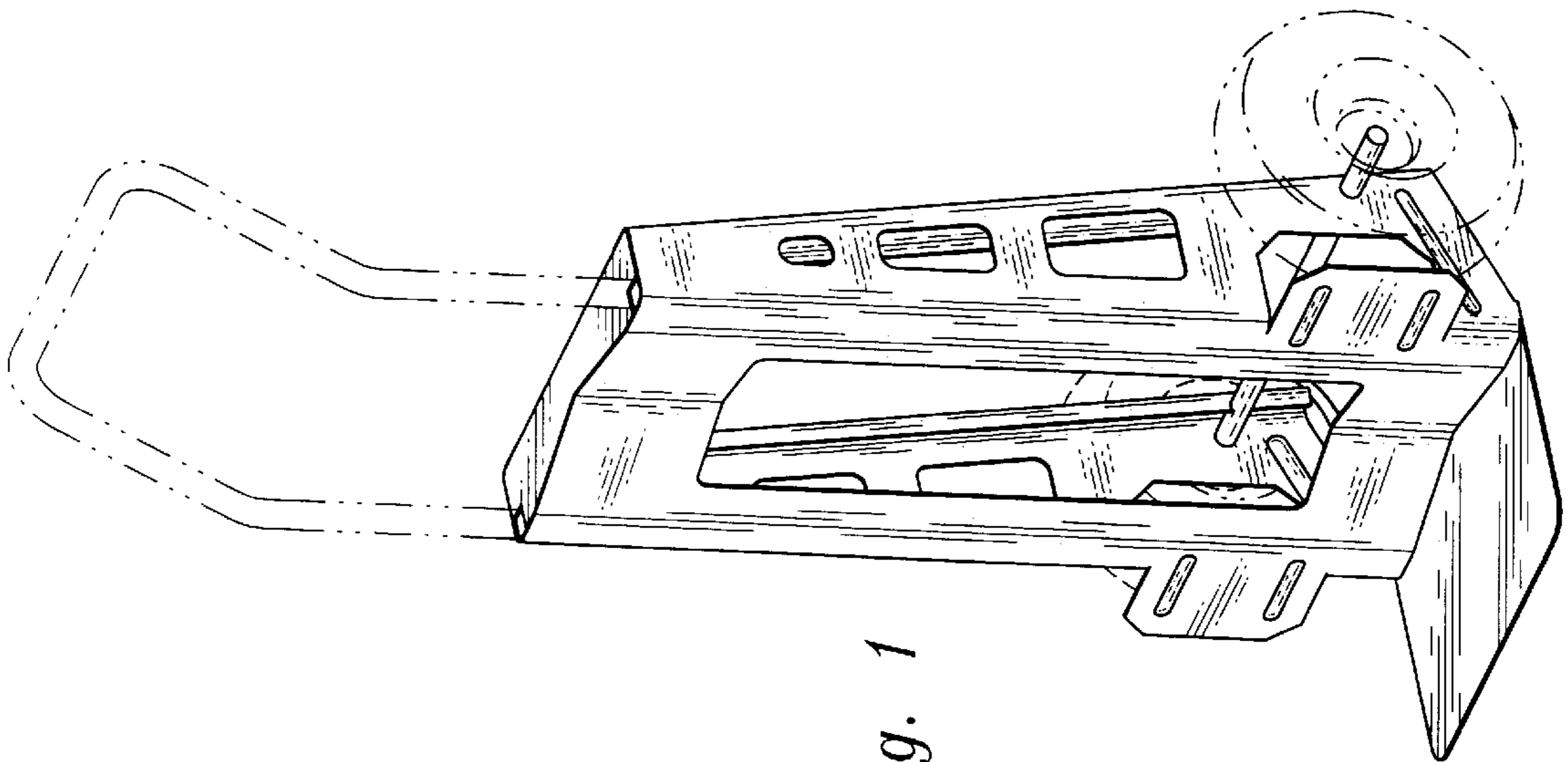


Fig. 1

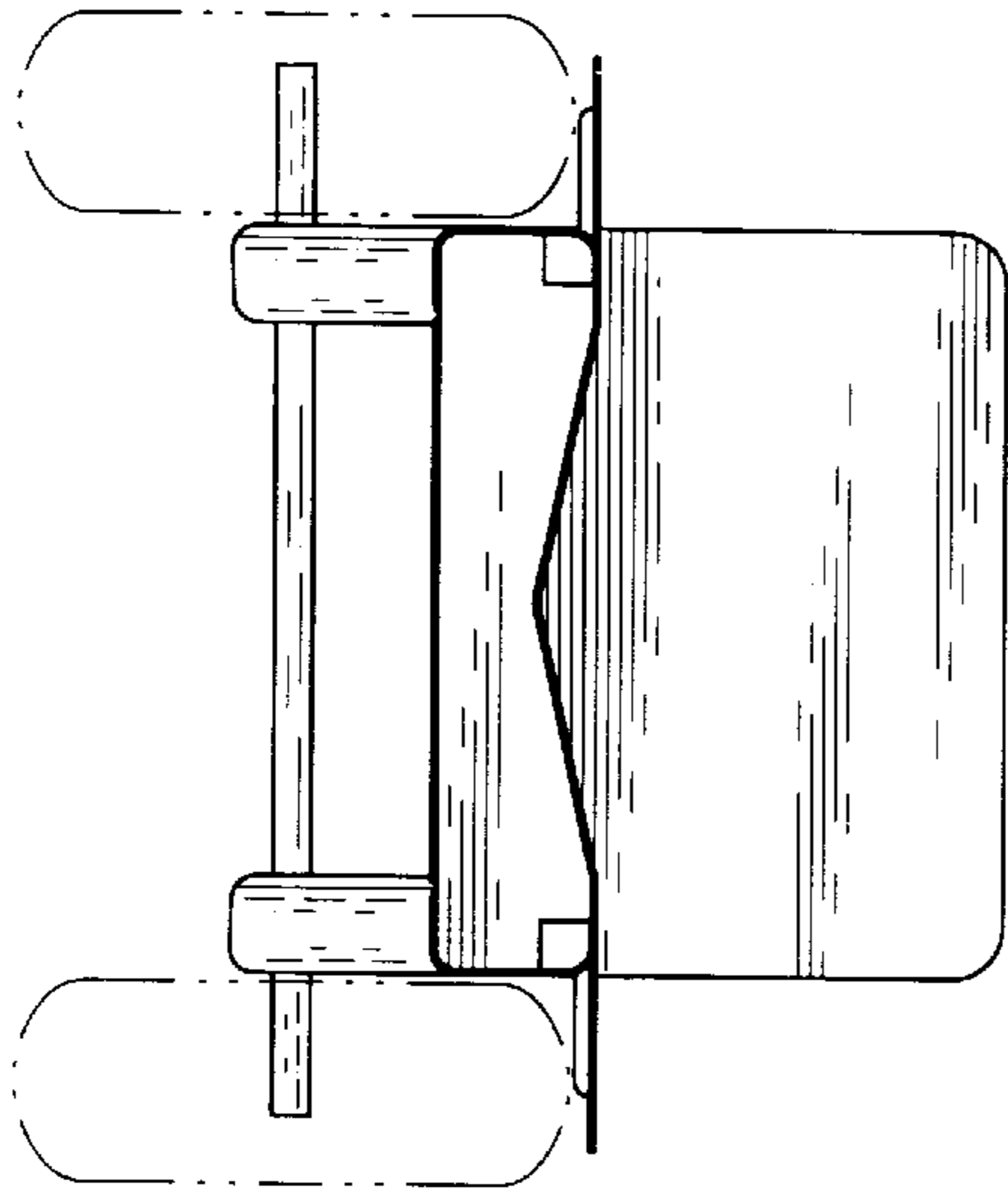
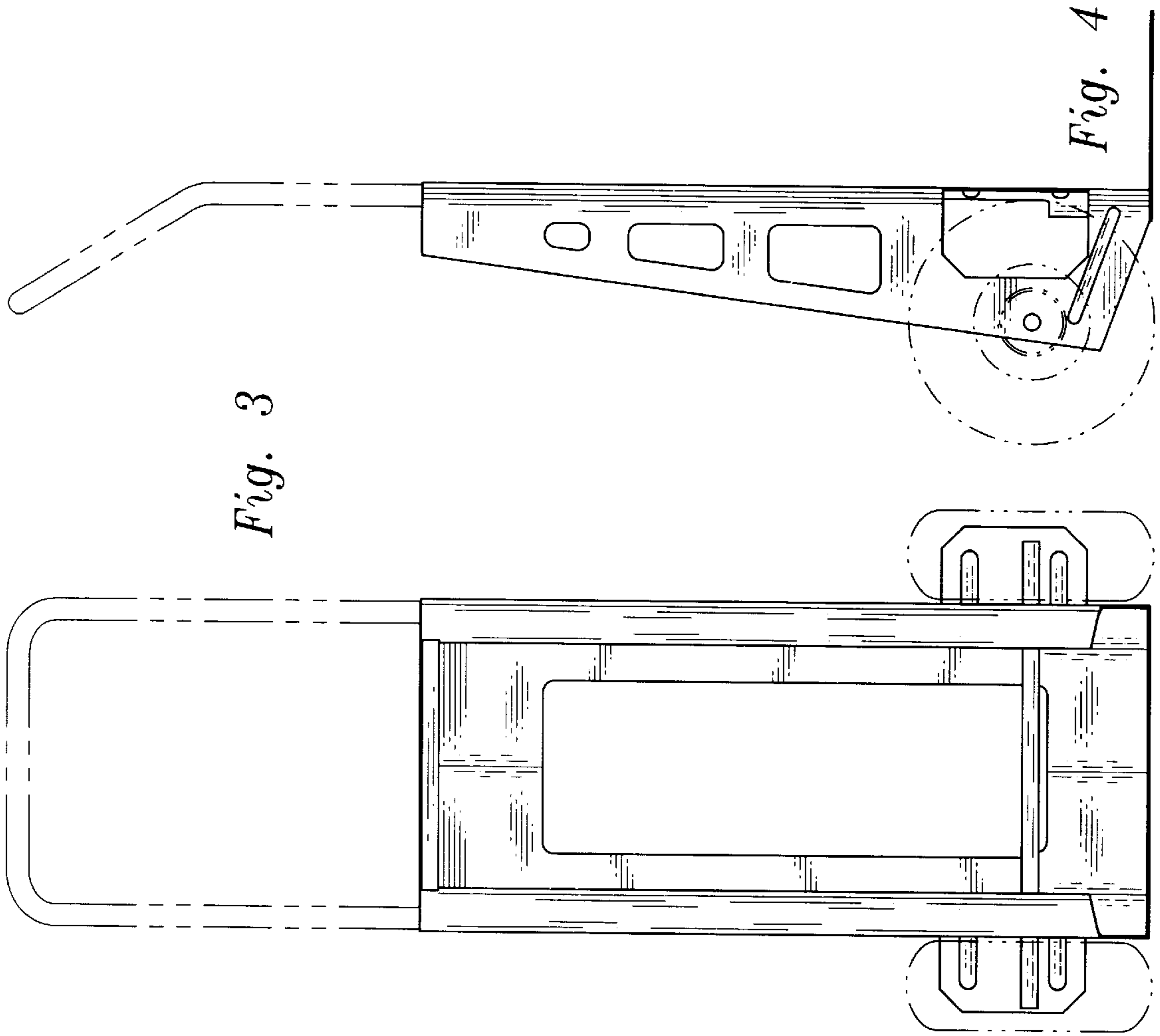


Fig. 5

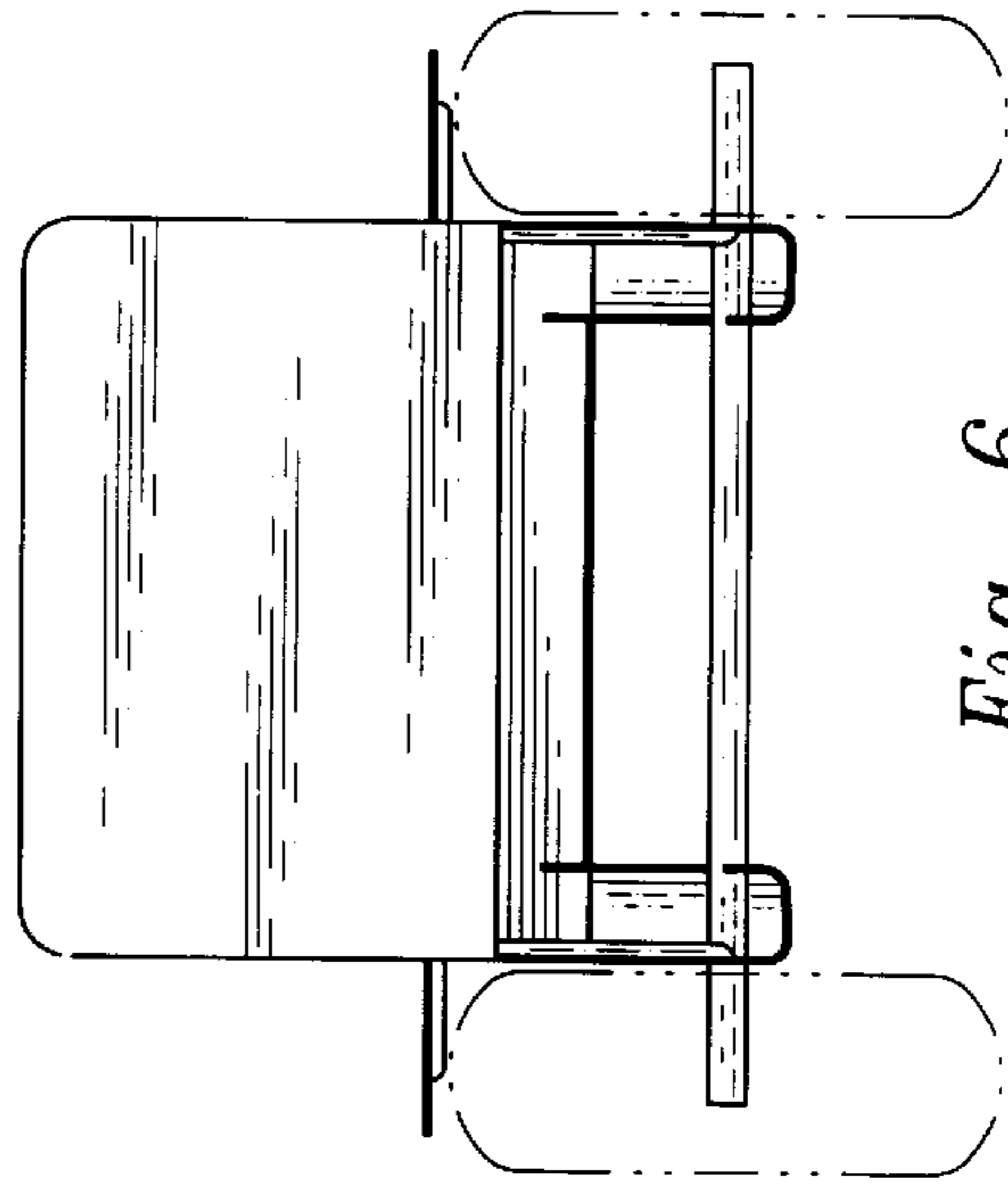


Fig. 6