



US00D449138B1

(12) **United States Design Patent**
Dodson et al.

(10) **Patent No.:** **US D449,138 S**

(45) **Date of Patent:** **** Oct. 9, 2001**

(54) **WET PICKUP VACUUM ATTACHMENT**

(75) Inventors: **Diane L. Dodson**, Northfield, OH (US);
William G. Badley, Pocahontas, AR
(US); **Chris Konstantacos**, San
Antonio, TX (US); **Daniel L. Steele**,
Mentor, OH (US)

(73) Assignee: **The Scott Fetzer Company**, Westlake,
OH (US)

(**) Term: **14 Years**

(21) Appl. No.: **29/125,005**

(22) Filed: **Jun. 14, 2000**

(51) **LOC (7) Cl.** **15-05**

(52) **U.S. Cl.** **D32/31**

(58) **Field of Search** D32/17, 18, 21,
D32/25, 31-33; 15/329, 344, 353, 320-321,
310, 312.1; D23/223-225, 213, 226; D8/2;
55/219, 437, 465

(56) **References Cited**

U.S. PATENT DOCUMENTS

- D. 148,162 * 12/1947 Harvuot D32/33
- D. 175,153 * 7/1955 Breen D28/82

- D. 177,578 * 5/1956 Martinee D32/33
- D. 179,332 * 11/1956 Tucker D32/33
- D. 190,347 * 5/1961 Matthews et al. D32/33
- D. 318,317 * 7/1991 Norman D23/225
- D. 388,564 * 12/1997 Lussi D32/21
- D. 432,372 * 10/2000 Iacofano et al. D8/2
- 5,590,439 * 1/1997 Alazet 15/320

* cited by examiner

Primary Examiner—Ruth McInroy

(74) *Attorney, Agent, or Firm*—Jones, Day, Reavis &
Pogue

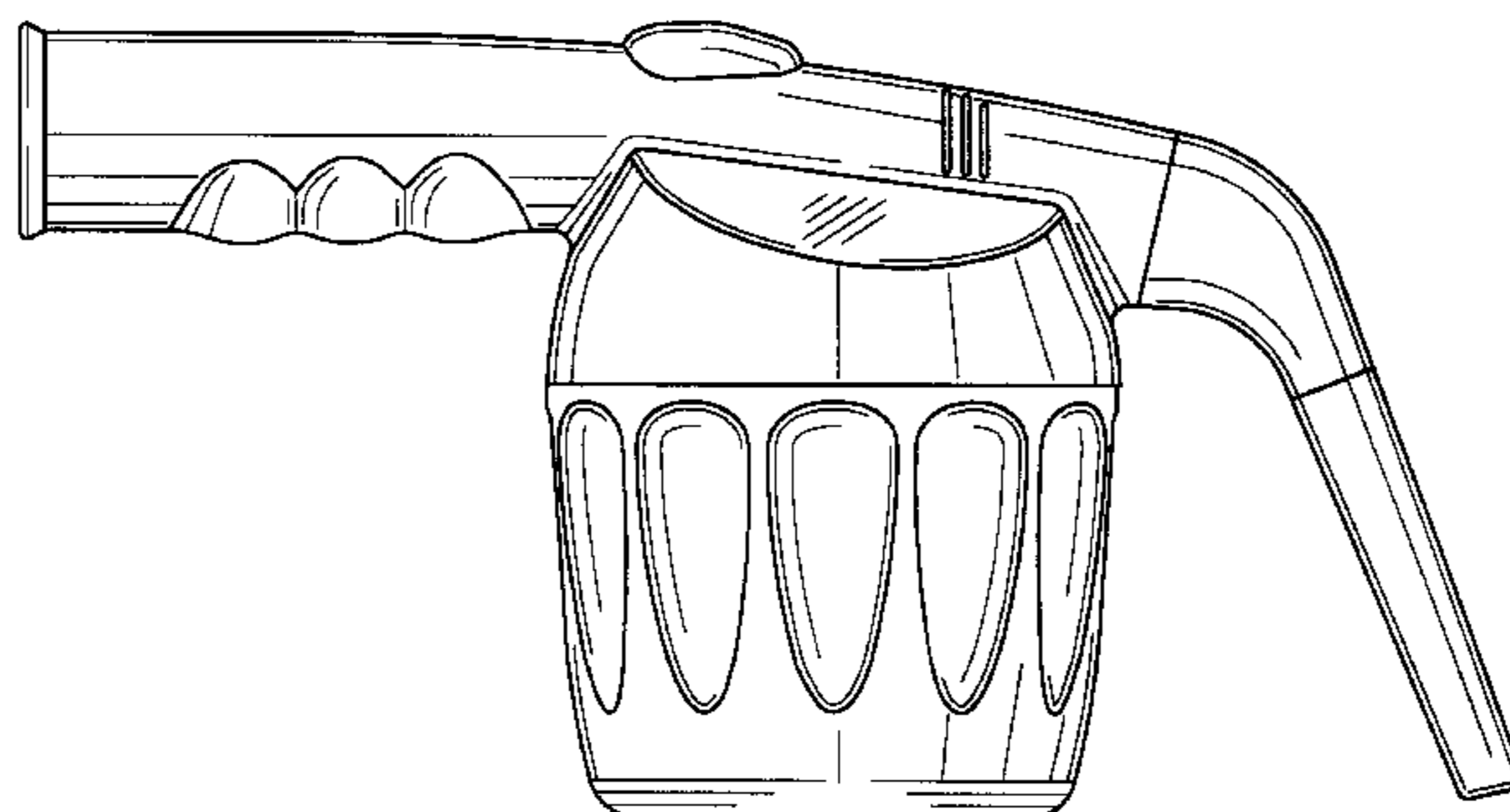
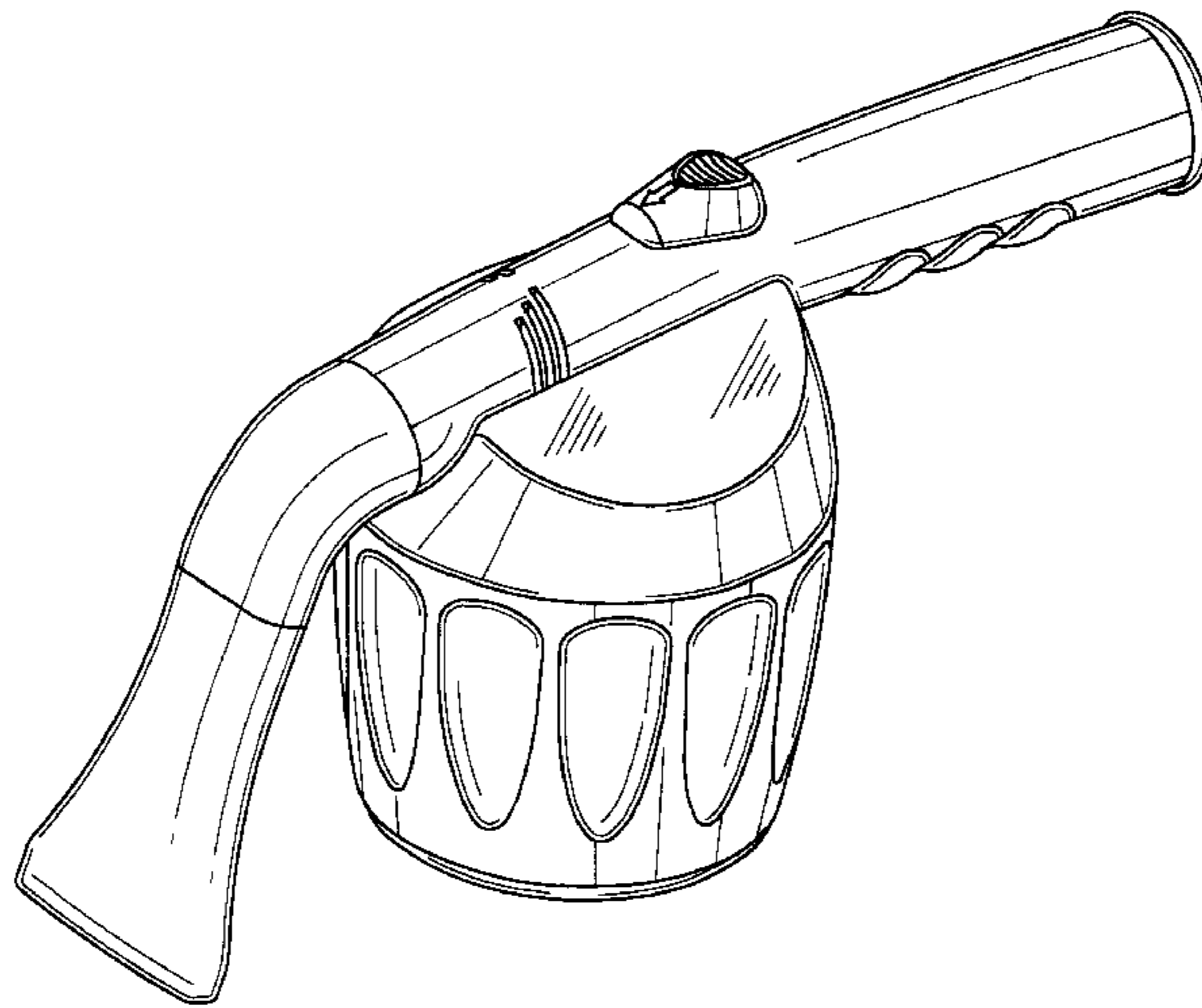
(57) **CLAIM**

The ornamental design for a wet pickup vacuum attachment,
as shown and described.

DESCRIPTION

FIG. 1 is a perspective illustration of a wet pickup vacuum
attachment showing our new design;
FIG. 2 is a rear elevational view thereof;
FIG. 3 is a front elevational view thereof;
FIG. 4 is a top plan view thereof;
FIG. 5 is a side elevational view of one side thereof, the
opposite side being a mirror image thereof; and,
FIG. 6 is a bottom plan view thereof.

1 Claim, 2 Drawing Sheets



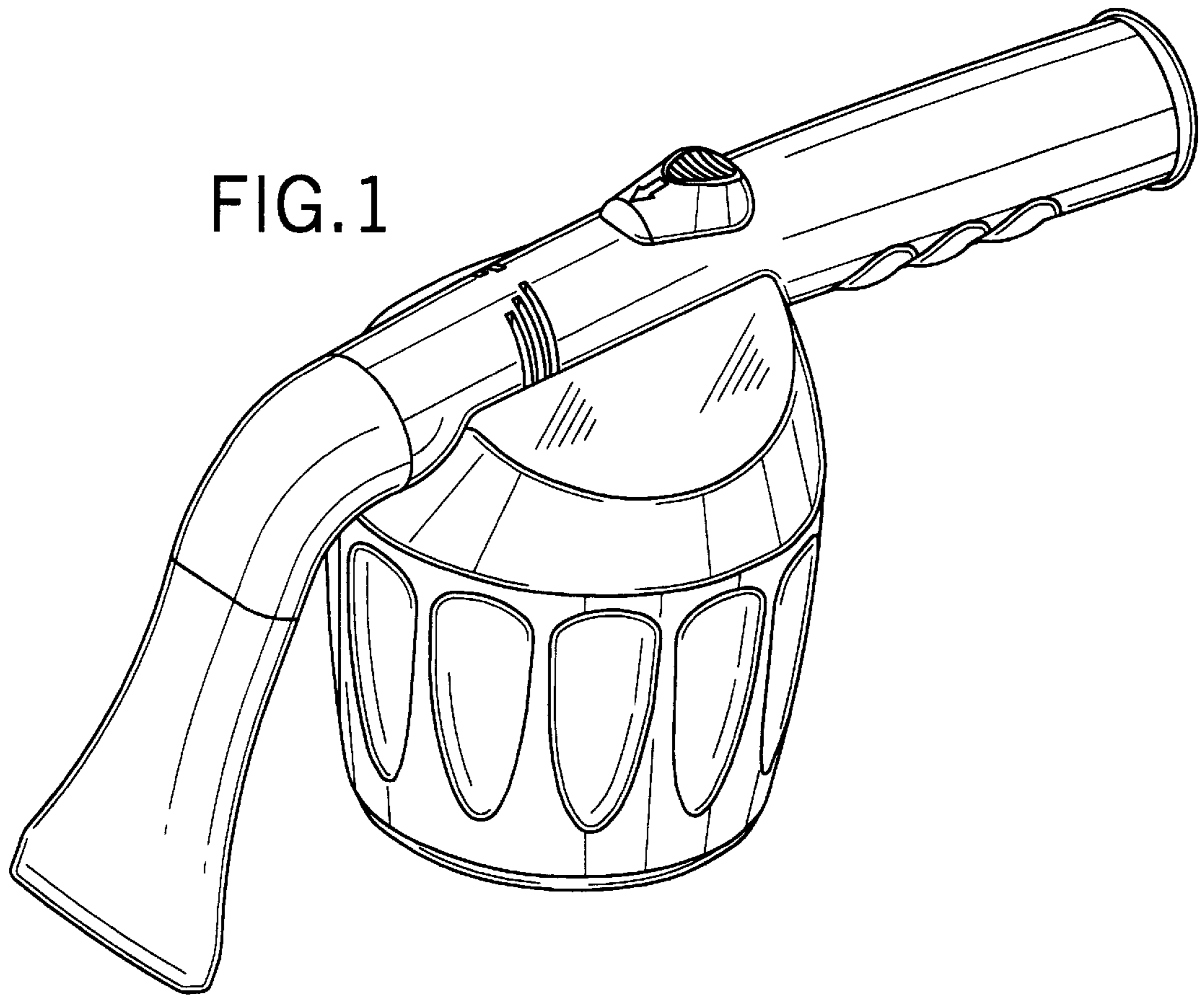


FIG. 1

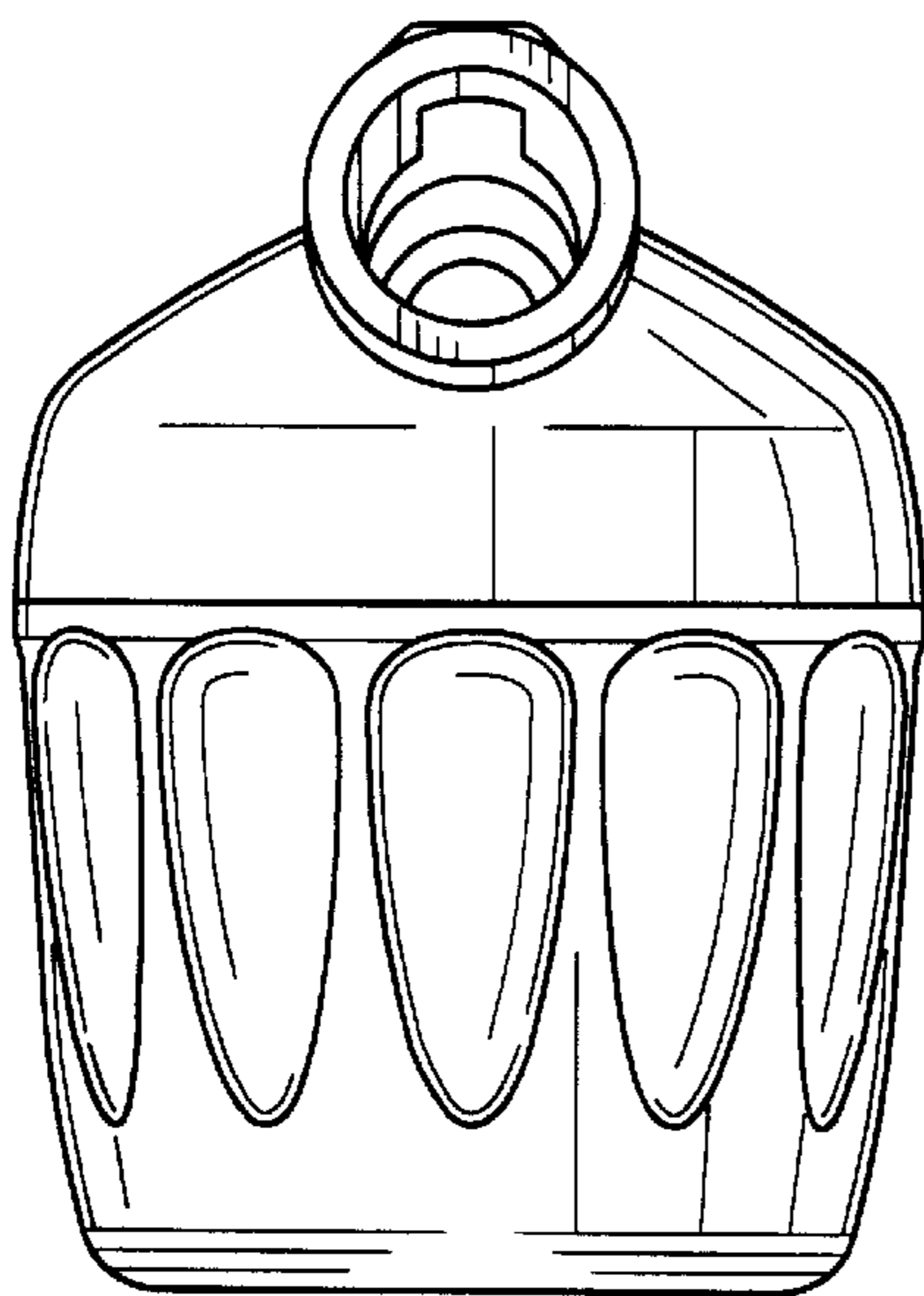


FIG. 2

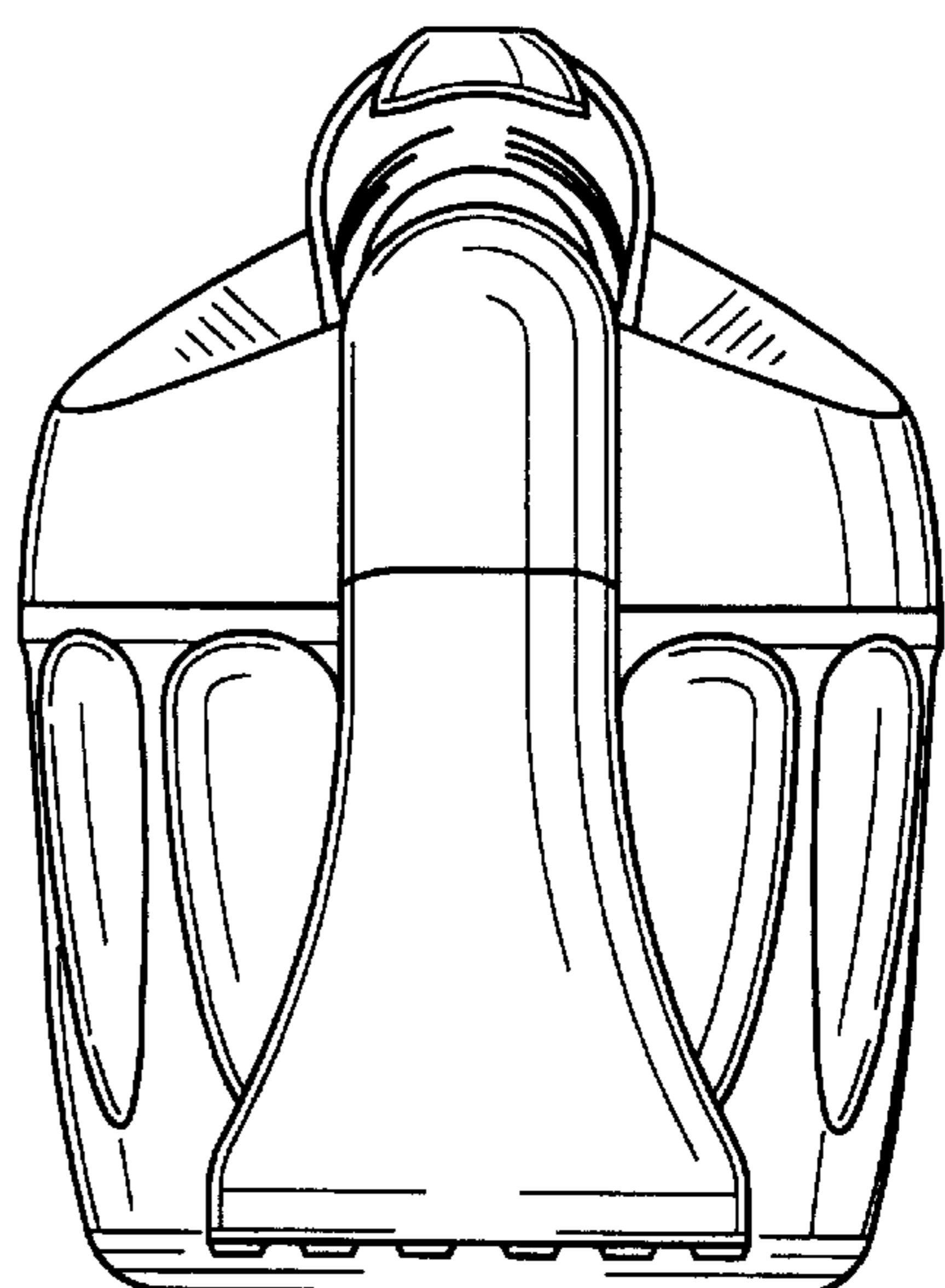


FIG. 3

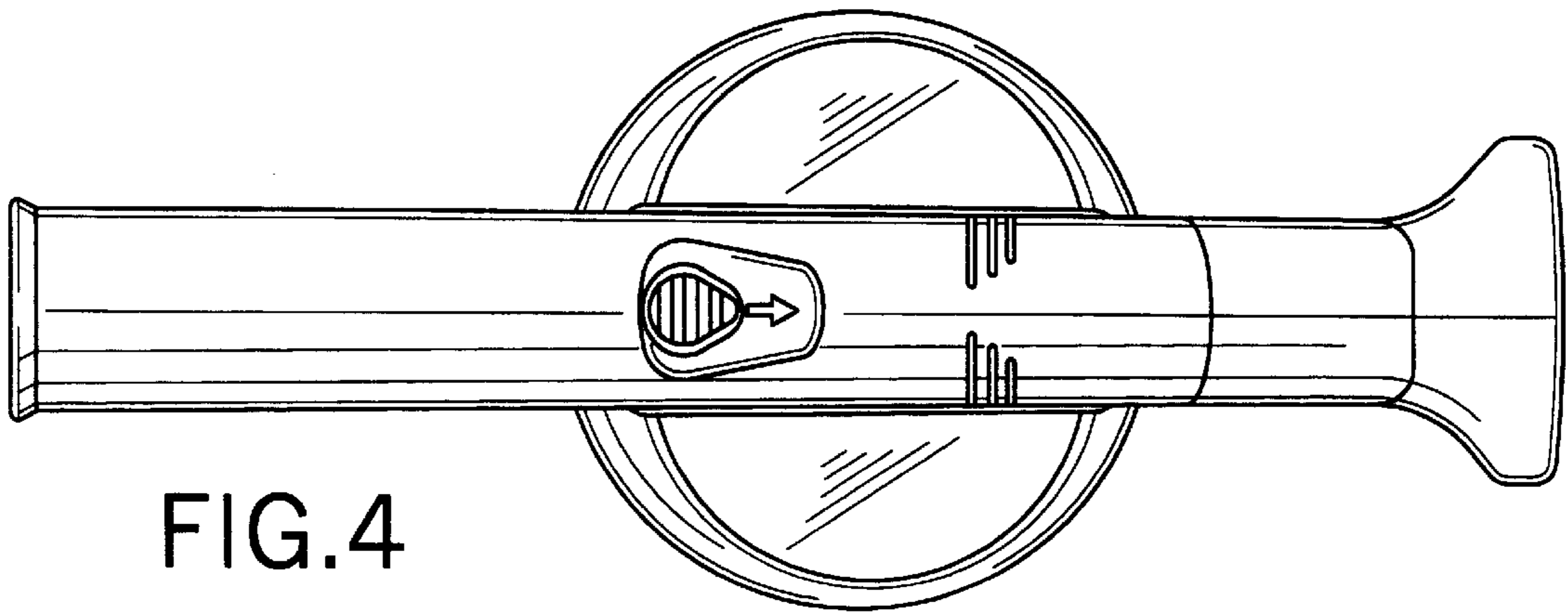


FIG. 4

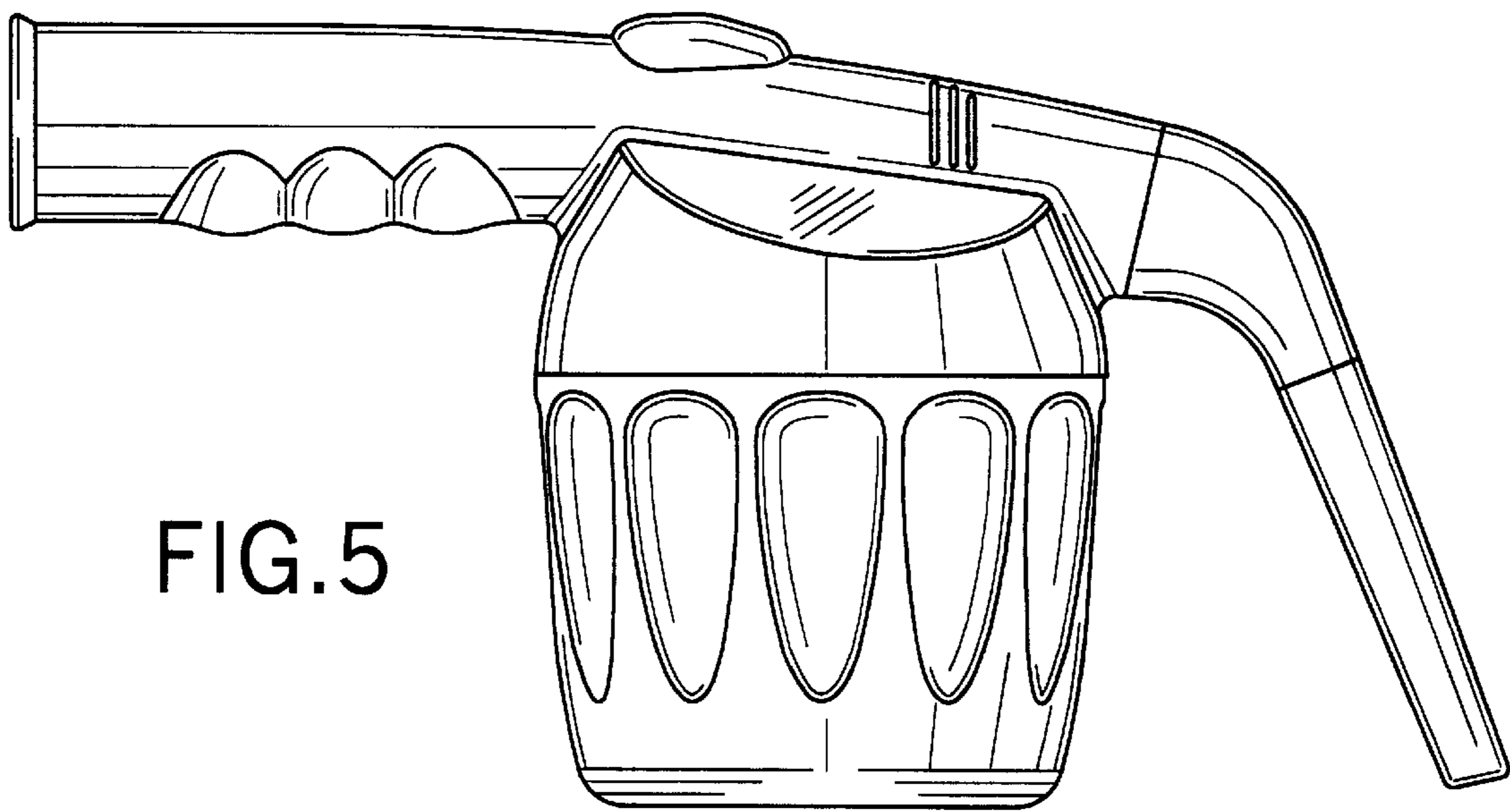


FIG. 5

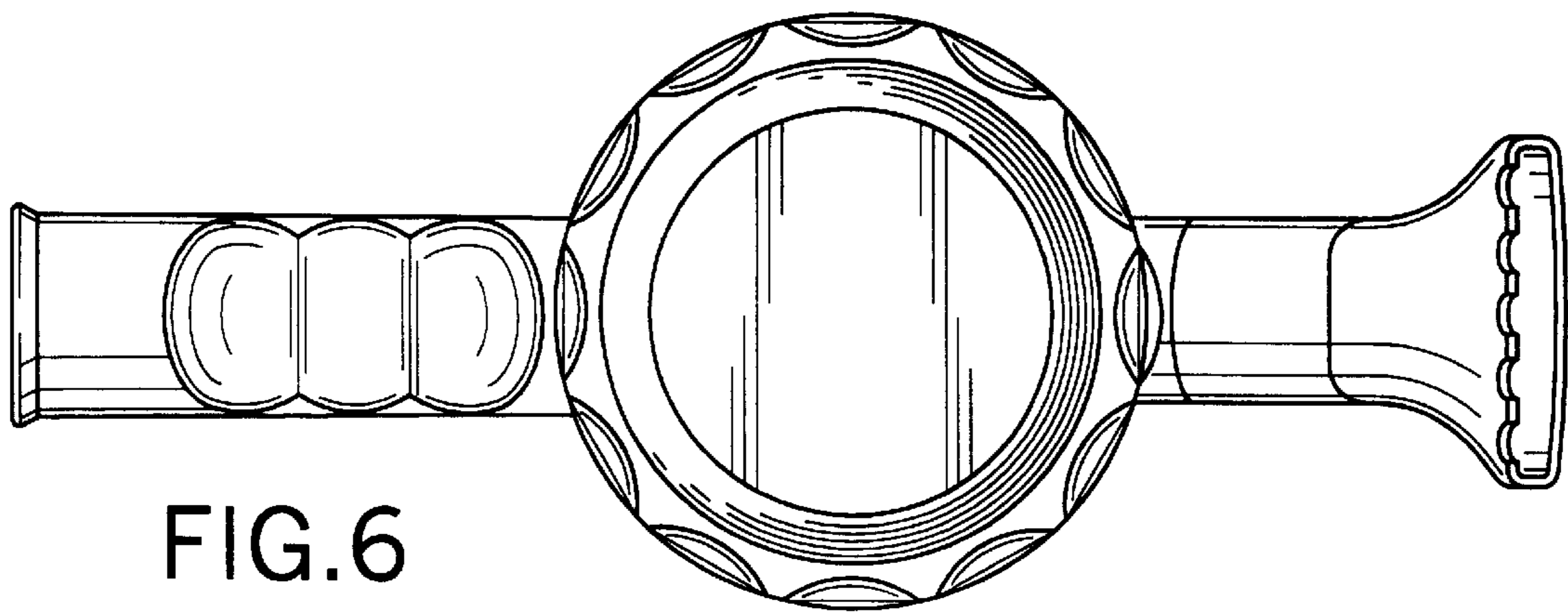


FIG. 6