



US00D449117B1

(12) **United States Design Patent**
Wilson

(10) **Patent No.:** **US D449,117 S**

(45) **Date of Patent:** **** Oct. 9, 2001**

(54) **SPA STEPS**

5,916,099 * 6/1999 Hall 4/496

* cited by examiner

(76) **Inventor:** **Jean L. Wilson**, 12 Cherry Lane,
Kirkland, Quebec (CA), H9H 4K2

Primary Examiner—Doris Clark

(74) *Attorney, Agent, or Firm*—Eric Fincham

(**) **Term:** **14 Years**

(57) **CLAIM**

An ornamental design for spa steps, as shown and described.

(21) **Appl. No.:** **29/134,338**

DESCRIPTION

(22) **Filed:** **Dec. 19, 2000**

(51) **LOC (7) Cl.** **25-04**

(52) **U.S. Cl.** **D25/63; D25/2**

(58) **Field of Search** D25/2, 65, 63,
D25/64; 52/169.7, 182; 4/496

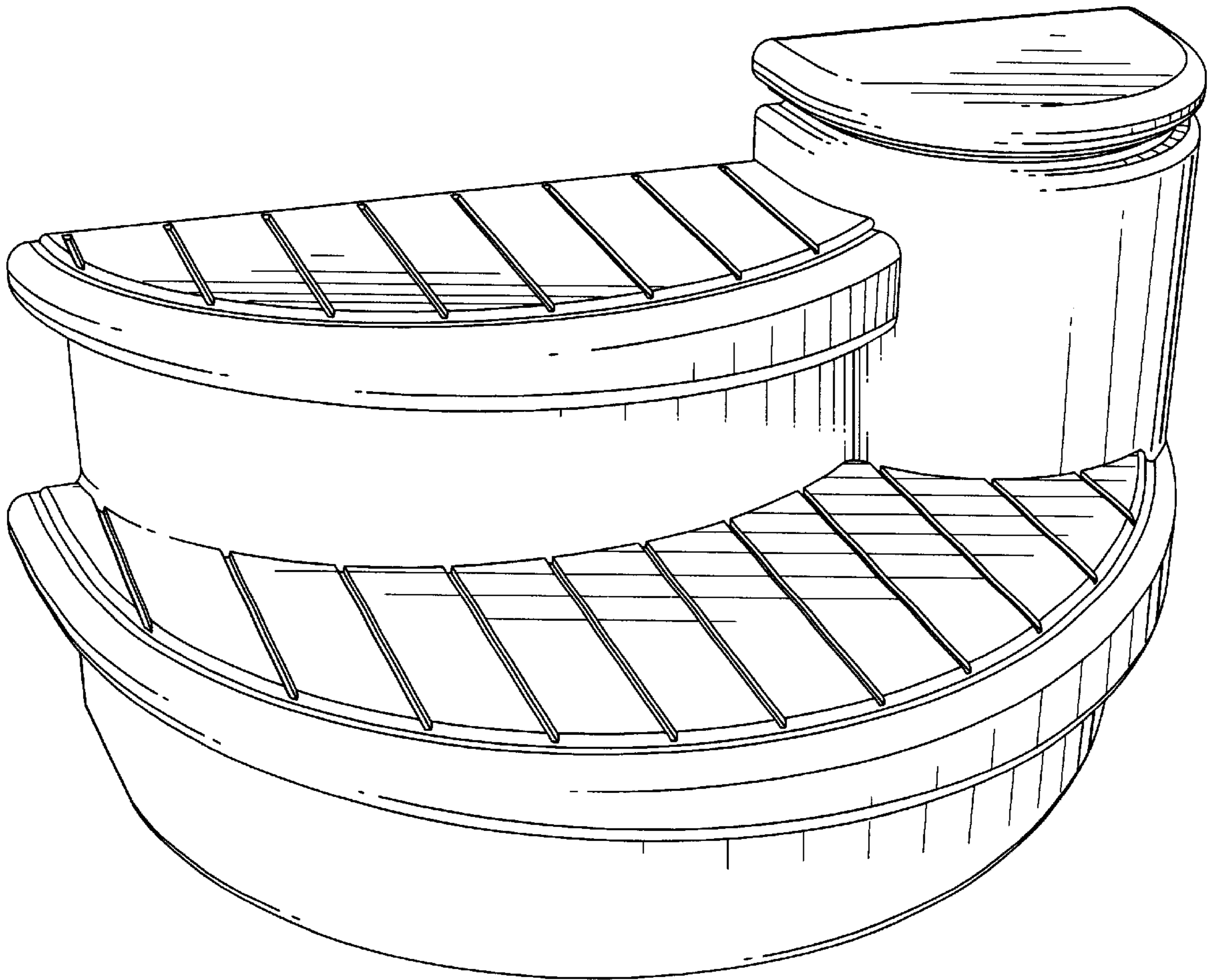
FIG. 1 is a perspective view of the spa steps of the design;
FIG. 2 is a front elevational view thereof;
FIG. 3 is a side elevational view as seen from the left hand
side of FIG. 2;
FIG. 4 is a top plan view thereof;
FIG. 5 is a side elevational view as seen from the right hand
side of FIG. 2; and,
FIG. 6 is a rear elevational view thereof.

(56) **References Cited**

U.S. PATENT DOCUMENTS

D. 372,985 * 8/1996 Bourgault D25/63

1 Claim, 3 Drawing Sheets



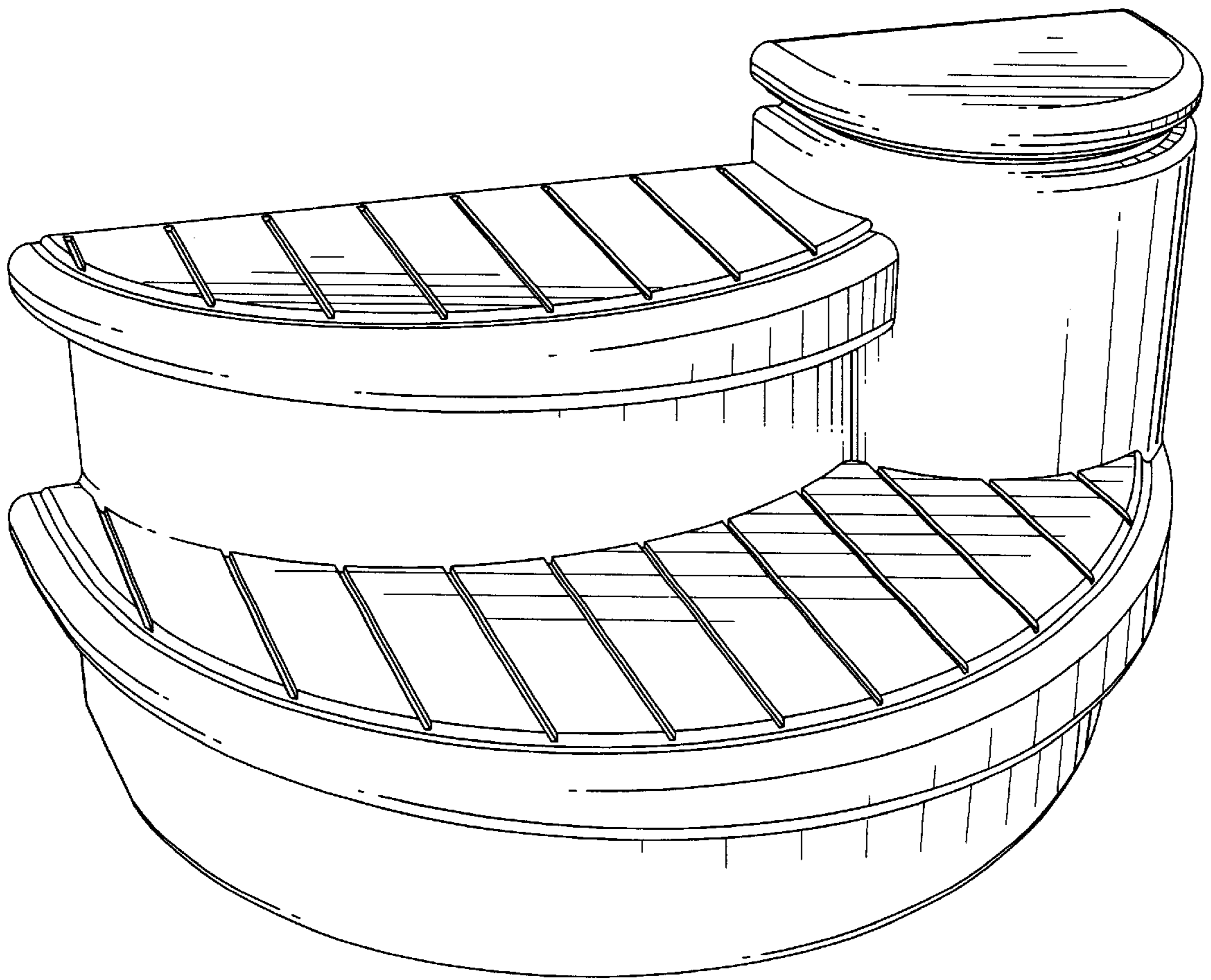


Fig. 1

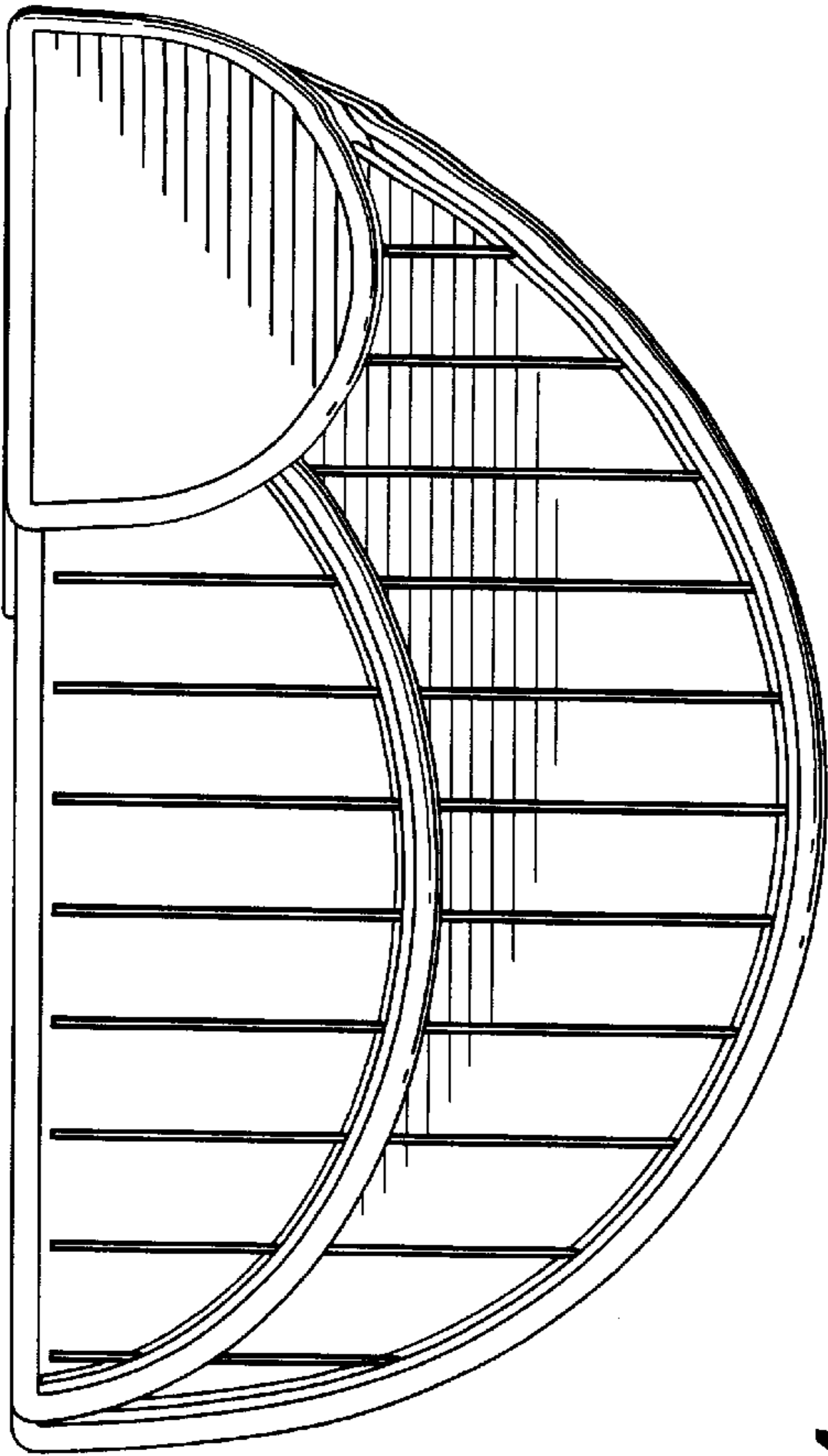


Fig. 4

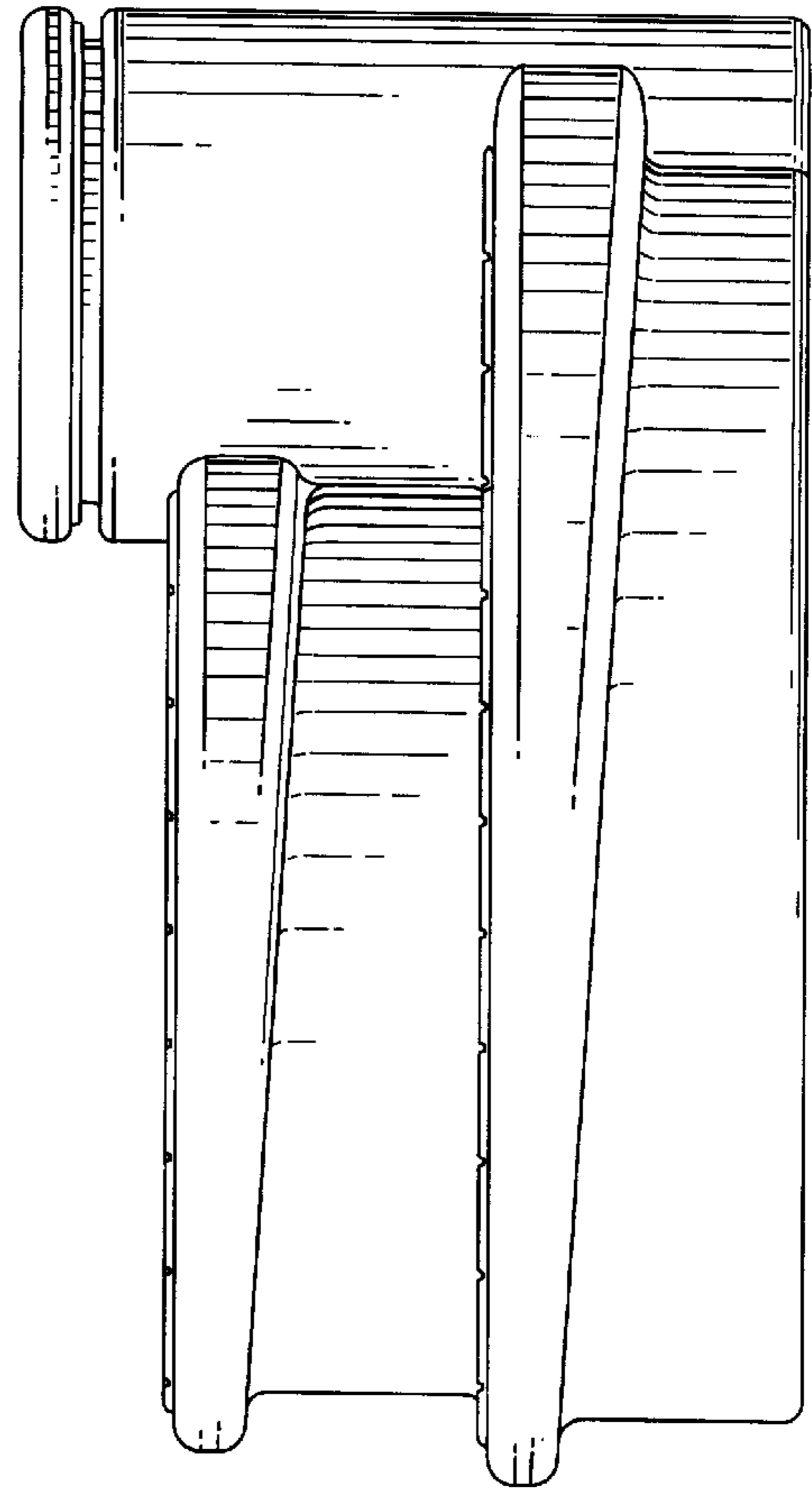


Fig. 2

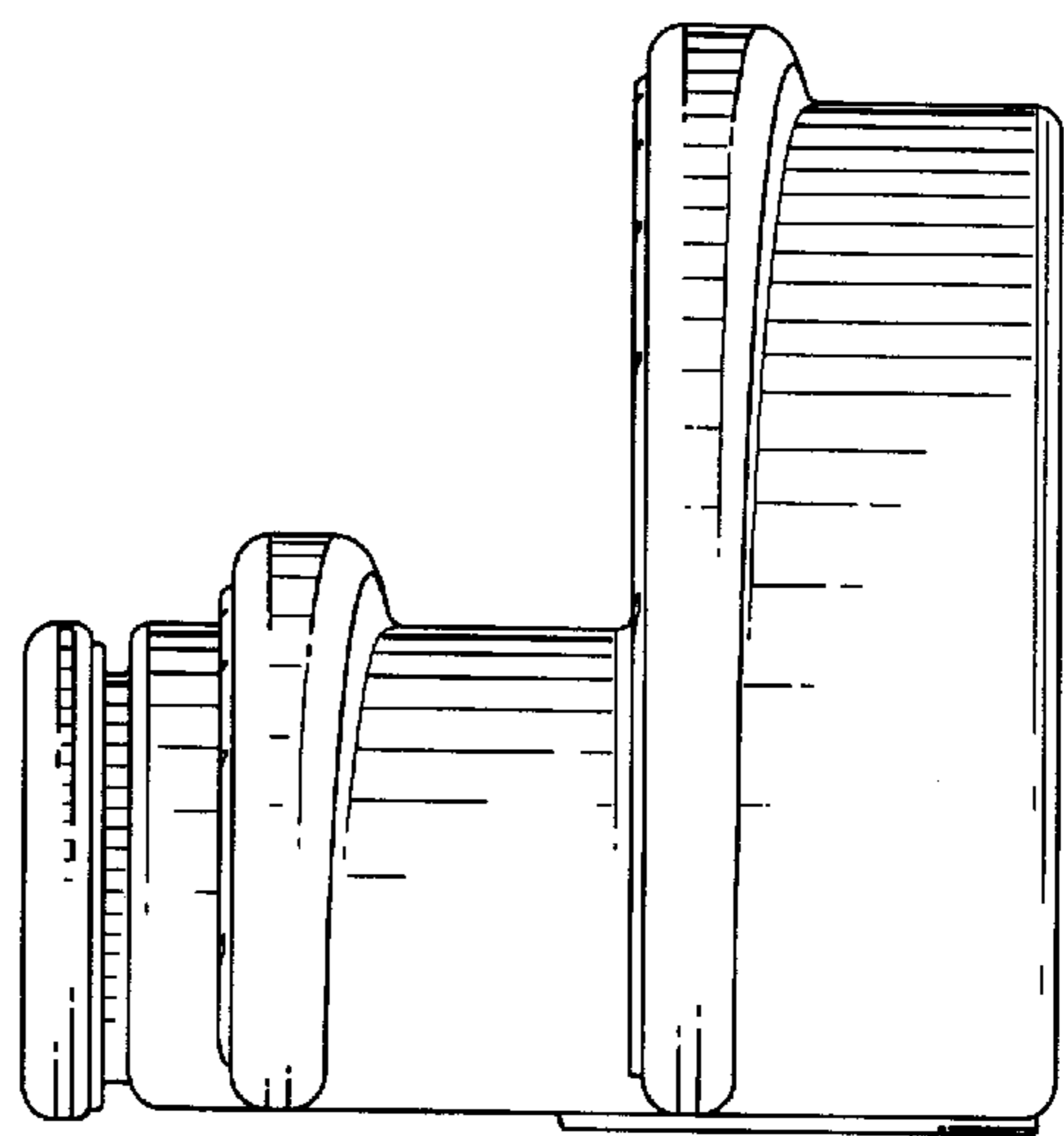


Fig. 3

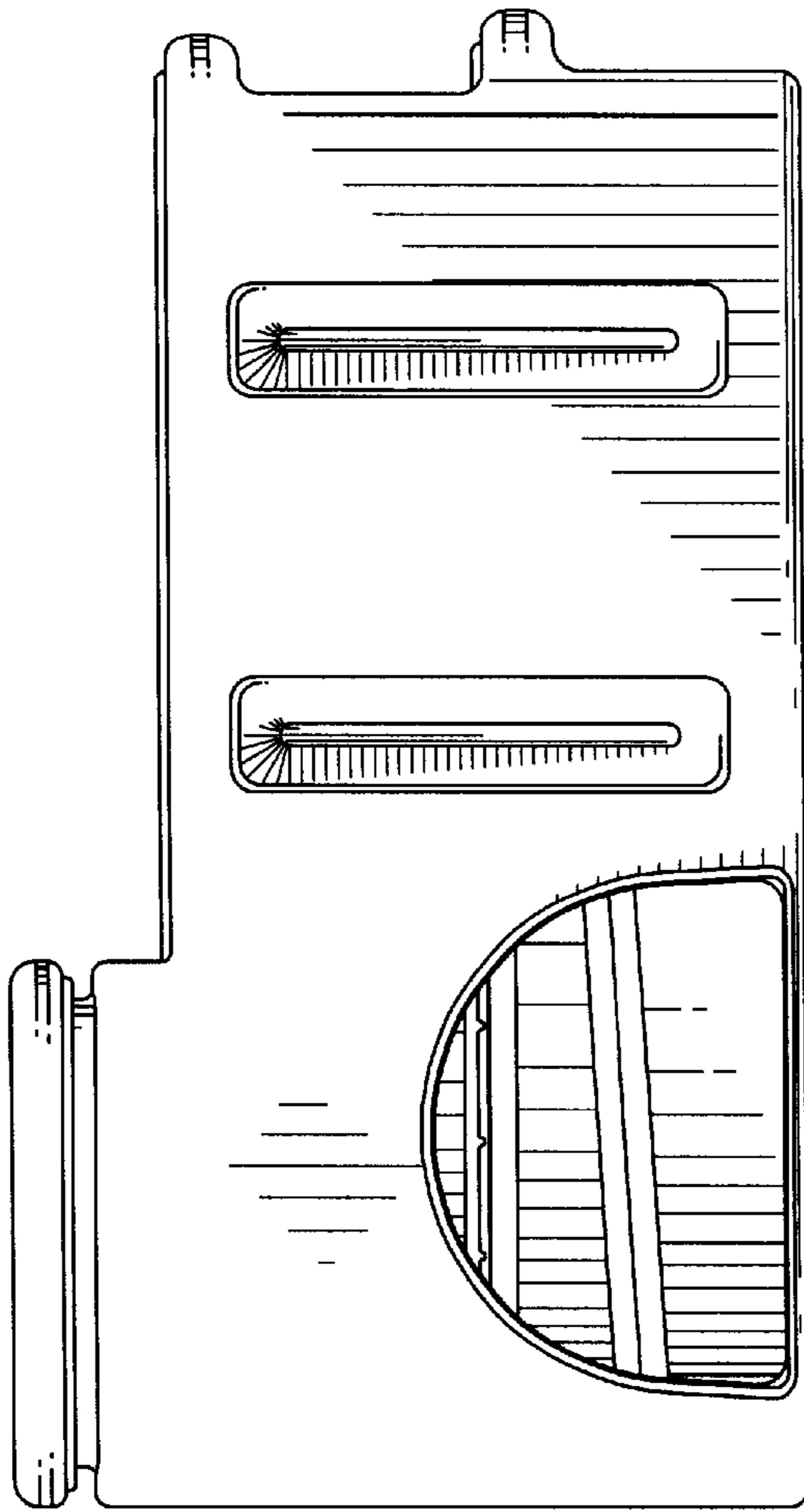


Fig. 5

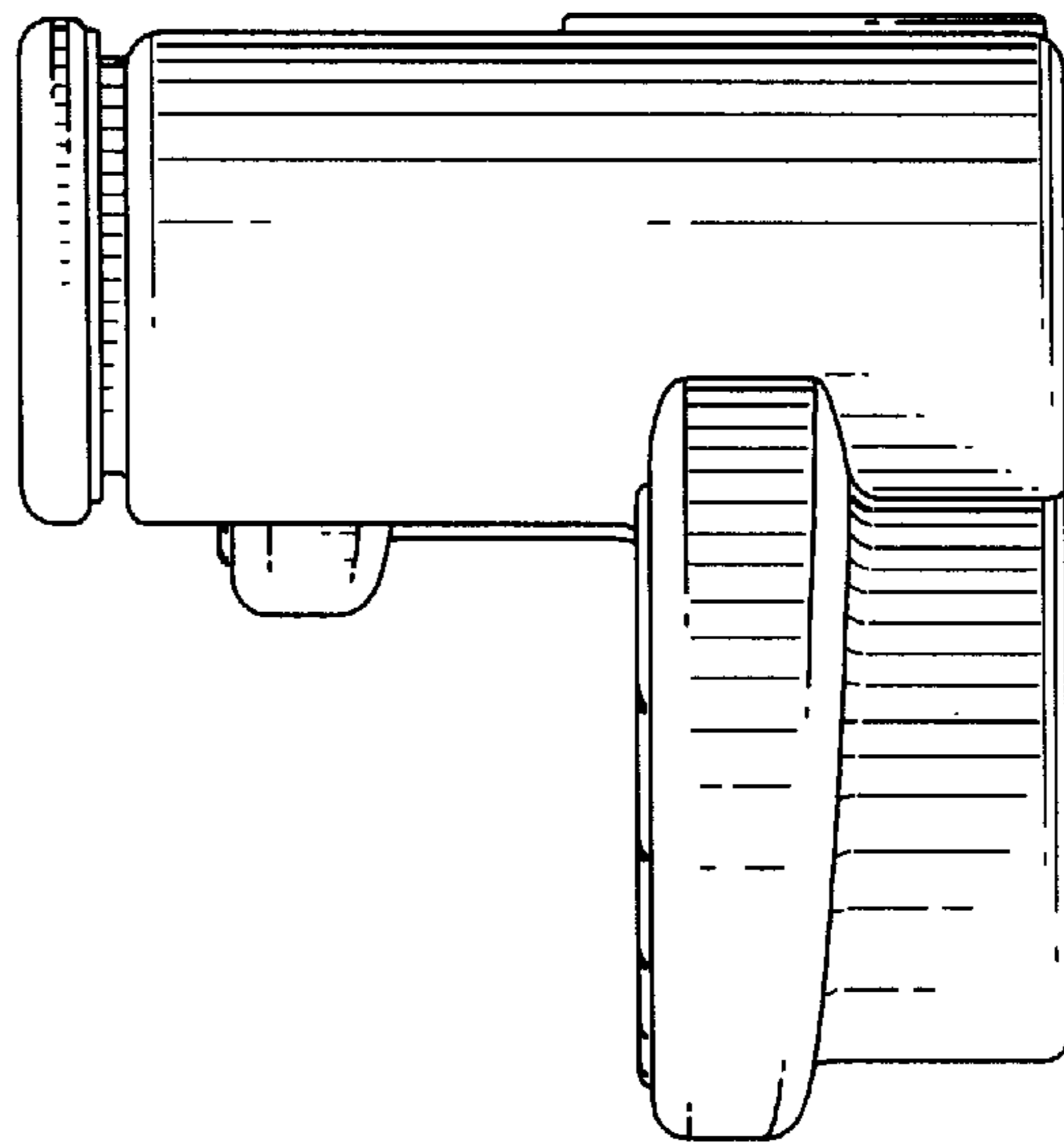


Fig. 6