



US00D449114B1

(12) **United States Design Patent** (10) **Patent No.:** **US D449,114 S**
Hampel (45) **Date of Patent:** **** Oct. 9, 2001**

(54) **RESIN BUILDING**

(76) Inventor: **Lance T. Hampel**, 5678 W. Big Portage Lake Rd., Land O' Lakes, WI (US) 54540

(**) Term: **14 Years**

(21) Appl. No.: **29/122,677**

(22) Filed: **May 2, 2000**

Related U.S. Application Data

(60) Division of application No. 29/114,647, filed on Nov. 29, 1999, which is a continuation-in-part of application No. 29/100,873, filed on Feb. 19, 1999.

(51) **LOC (7) Cl.** **25-03**

(52) **U.S. Cl.** **D25/22**

(58) **Field of Search** D25/16, 29, 22, D25/17, 1; 52/36.1, 90.1, 79.1, DIG. 4

(56) **References Cited**

U.S. PATENT DOCUMENTS

D. 2,764	6/1971	Shillings	D25/22
D. 220,946	6/1971	Hughes	D25/22
D. 275,520	9/1984	Harding et al.	D25/16
2,485,914	10/1949	Owens	52/36.2
3,755,976	9/1973	Dolhaine	D25/22
4,275,533	6/1981	Wright	52/79.1
4,380,836	4/1983	Braxton	4/460
4,446,585	5/1984	Harding et al.	4/460
4,493,118	1/1985	Braxton	4/460
4,501,103	2/1985	Markey et al.	52/90.1
4,574,025	3/1986	Juaire et al.	156/245

OTHER PUBLICATIONS

Applicant's Exhibit A, "TUFF-JON" four-page color brochure of the TSF Company, Inc., Evansville, IN, undated.
Applicant's Exhibit B, "The Shed" two-page color brochure of Hampel Corp., Germantown, WI, undated.

Applicant's Exhibit C, two-page color brochure of Olympic Fiberglass Industries, Inc., Rochester, IN, undated.

Applicant's Exhibit D, four-page color brochure of Poly-Portables, Inc., Dahlonega, GA, undated.

Applicant's Exhibit E, "Get the Works at PolyJohn", two-page color brochure of PolyJohn, Whiting, IN, 1999.

Applicant's Exhibit F, "Nu-Concepts '99 VIP Portable Restroom" four-page color brochure of Nu-Concepts, Ontario, Canada, undated.

Applicant's Exhibit G, "No. 1 in Europe", two-page color brochure of Thal-Mondo, Staffordshire, England.

Applicant's Exhibit H, "High Tech 1", ten-page color brochure of Synergy World, Inc., St. Louis, MO, undated.

Applicant's Exhibit I, "Eagle Star", two-page color brochure of American Poly Corporation, Zeeland, MI, undated.

Applicant's Exhibit J, "Maxim 2000", four-page color brochure of Satellite Industries, Inc., Minneapolis, MN, undated.

Primary Examiner—Doris Clark

(74) *Attorney, Agent, or Firm*—Quarles & Brady LLP

(57) **CLAIM**

The ornamental design for a resin building, as shown and described.

DESCRIPTION

FIG. 1 is a perspective view of a resin building showing my new design.

FIG. 2 is a front view thereof;

FIG. 3 is a right side view thereof;

FIG. 4 is a top view thereof; and,

FIG. 5 is a back view thereof.

The phantom line representations in FIGS. 1-5 are exemplary and form no part of the invention.

1 Claim, 5 Drawing Sheets

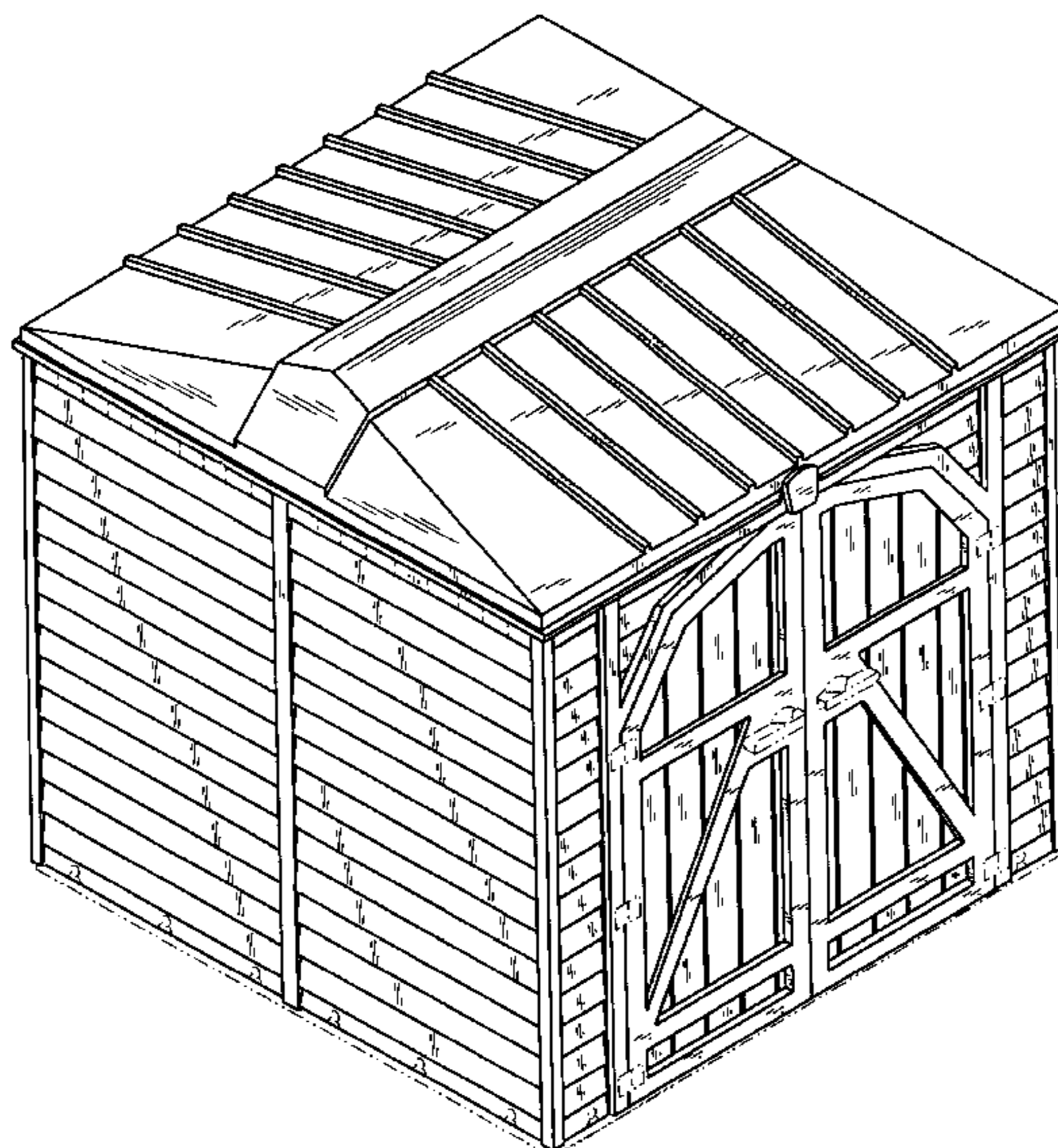


FIG. 1

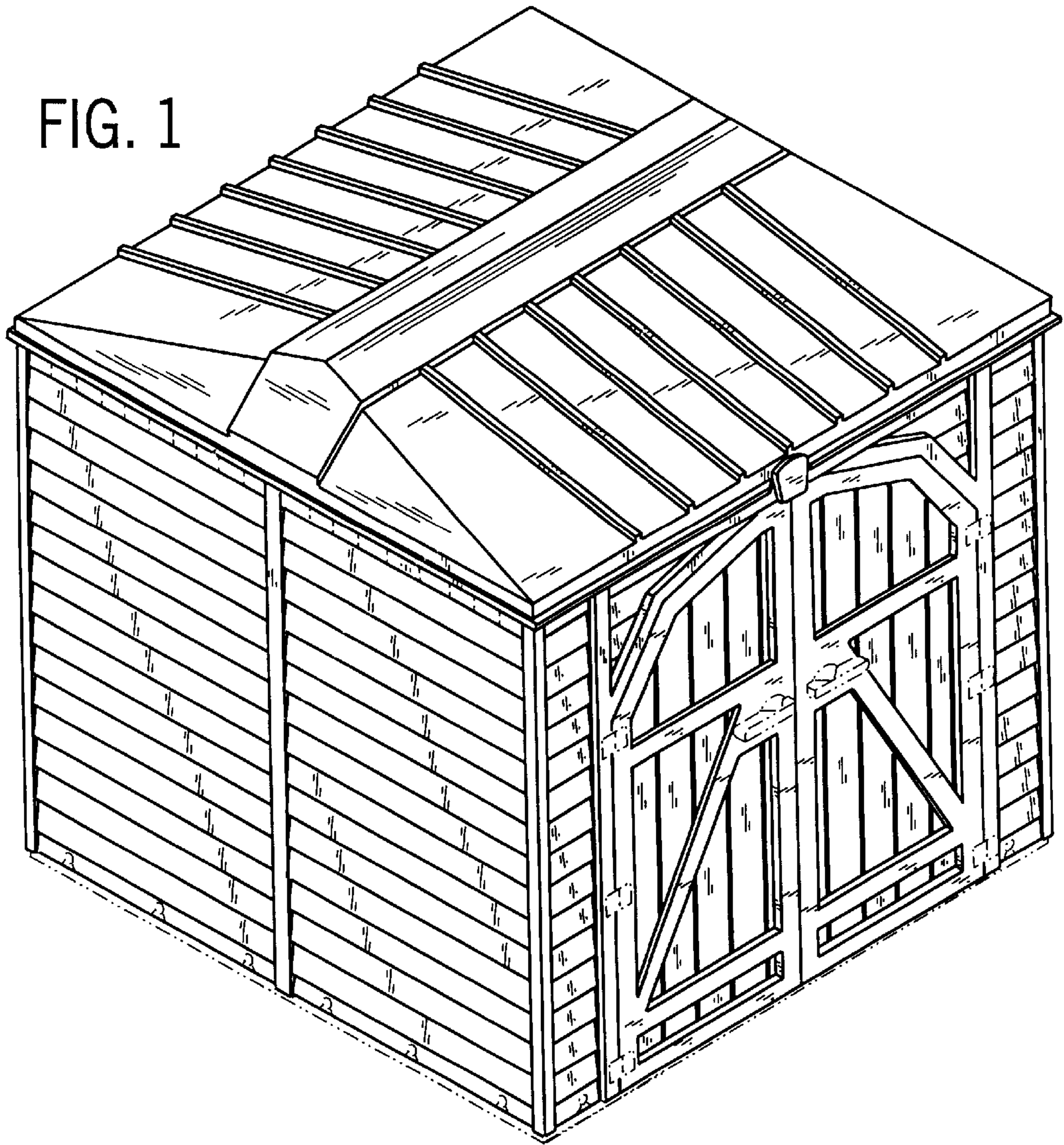


FIG. 2

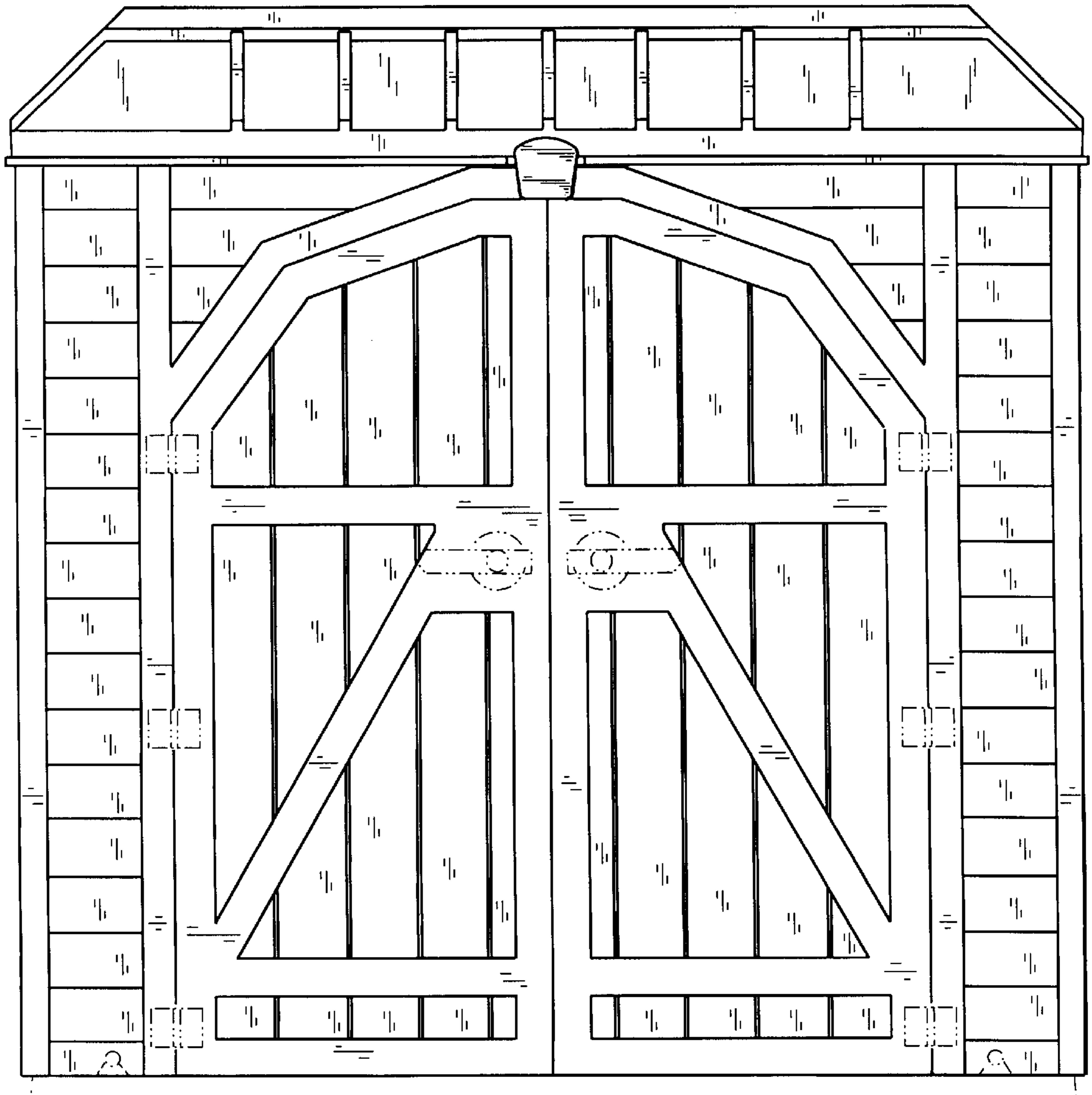


FIG. 3

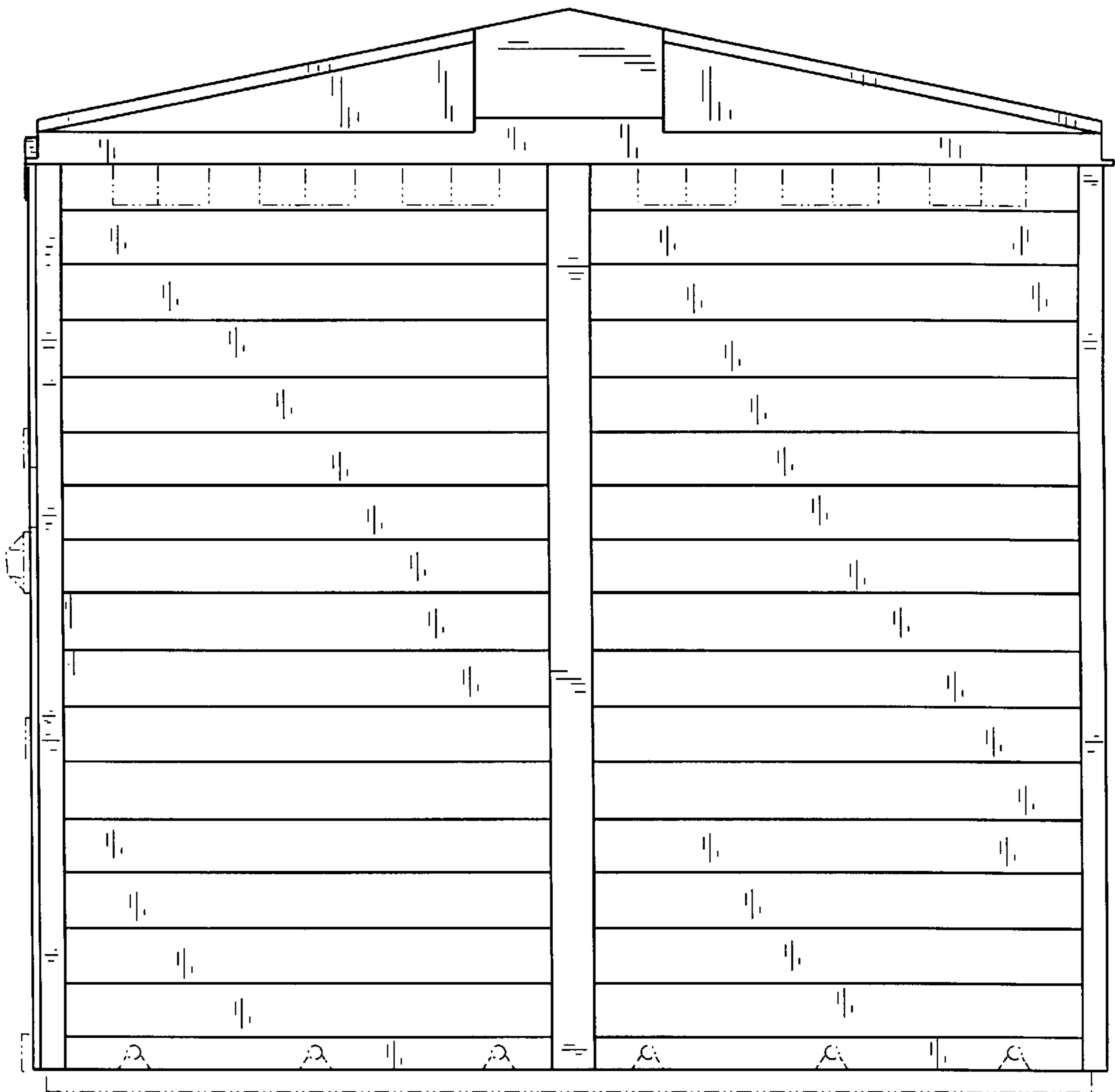


FIG. 4

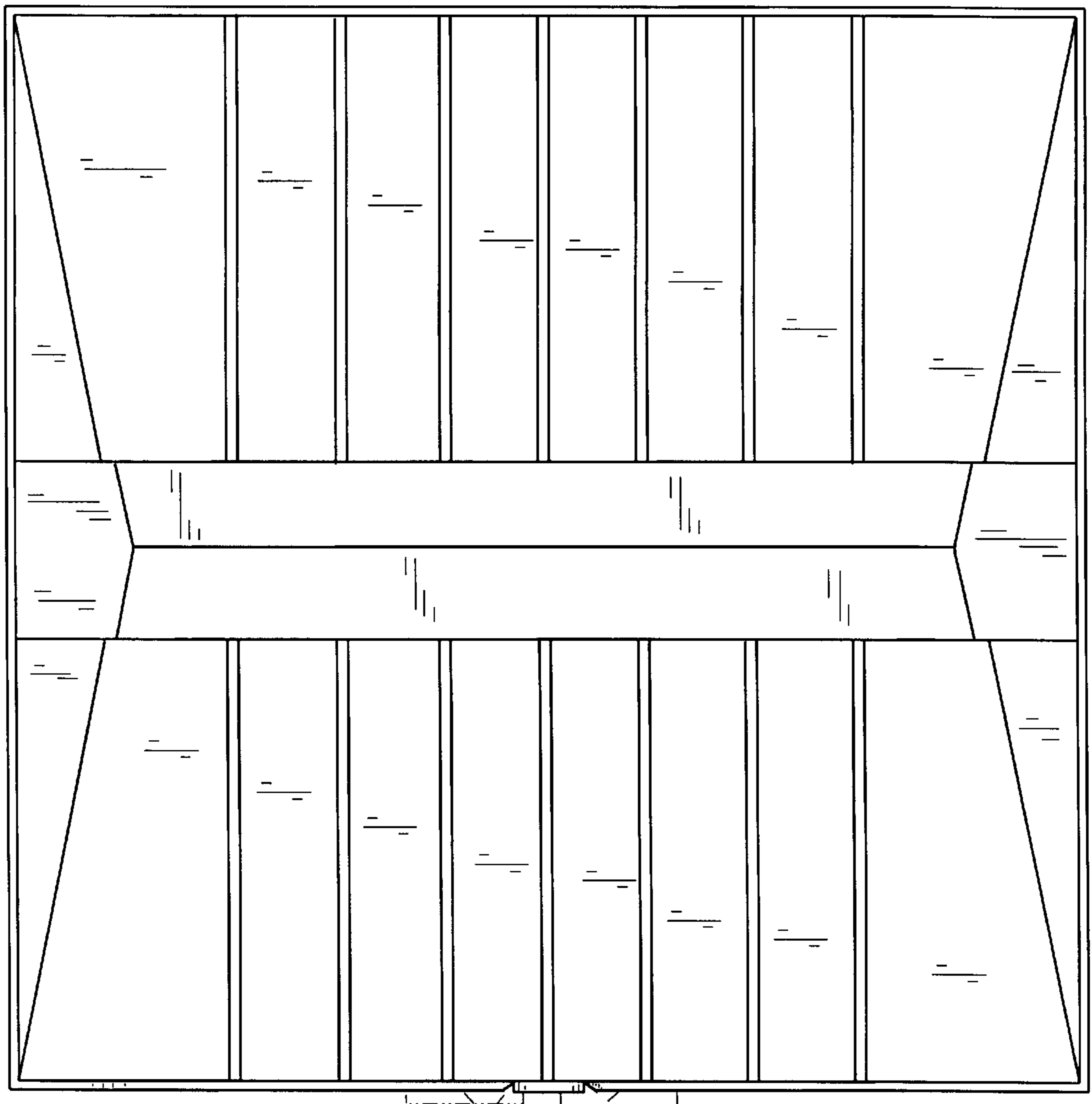


FIG. 5

