



US00D449113B1

(12) **United States Design Patent**
Stegmeier

(10) **Patent No.:** **US D449,113 S**

(45) **Date of Patent:** **** Oct. 9, 2001**

(54) **FORM BOARD FOR STAIR COPING OF AN
IN-GROUND LINER TYPE SWIMMING
POOL**

5,330,151 * 7/1994 Boyneck 4/506

* cited by examiner

Primary Examiner—Doris Clark

(74) *Attorney, Agent, or Firm*—Daniel Rubin

(76) **Inventor:** **William J. Stegmeier**, 1115 Harris Rd.,
Arlington, TX (US) 76017

(57) **CLAIM**

(**) **Term:** **14 Years**

The ornamental design of a form board for stair coping of an in-ground liner type swimming pool, as shown and described.

(21) **Appl. No.:** **29/114,623**

DESCRIPTION

(22) **Filed:** **Nov. 29, 1999**

FIG. 1 is a left side perspective view of the form board of the invention shown broken away to indeterminate length; FIG. 2 is an enlarged left side elevation view thereof, the right side elevation being a mirror image thereof; FIG. 3 is a fragmentary rear view thereof; FIG. 4 is a fragmentary top plan view thereof; FIG. 5 is a fragmentary front view thereof; and, FIG. 6 is a fragmentary bottom view thereof.

(51) **LOC (7) Cl.** **25-03**

(52) **U.S. Cl.** **D25/2; D25/119**

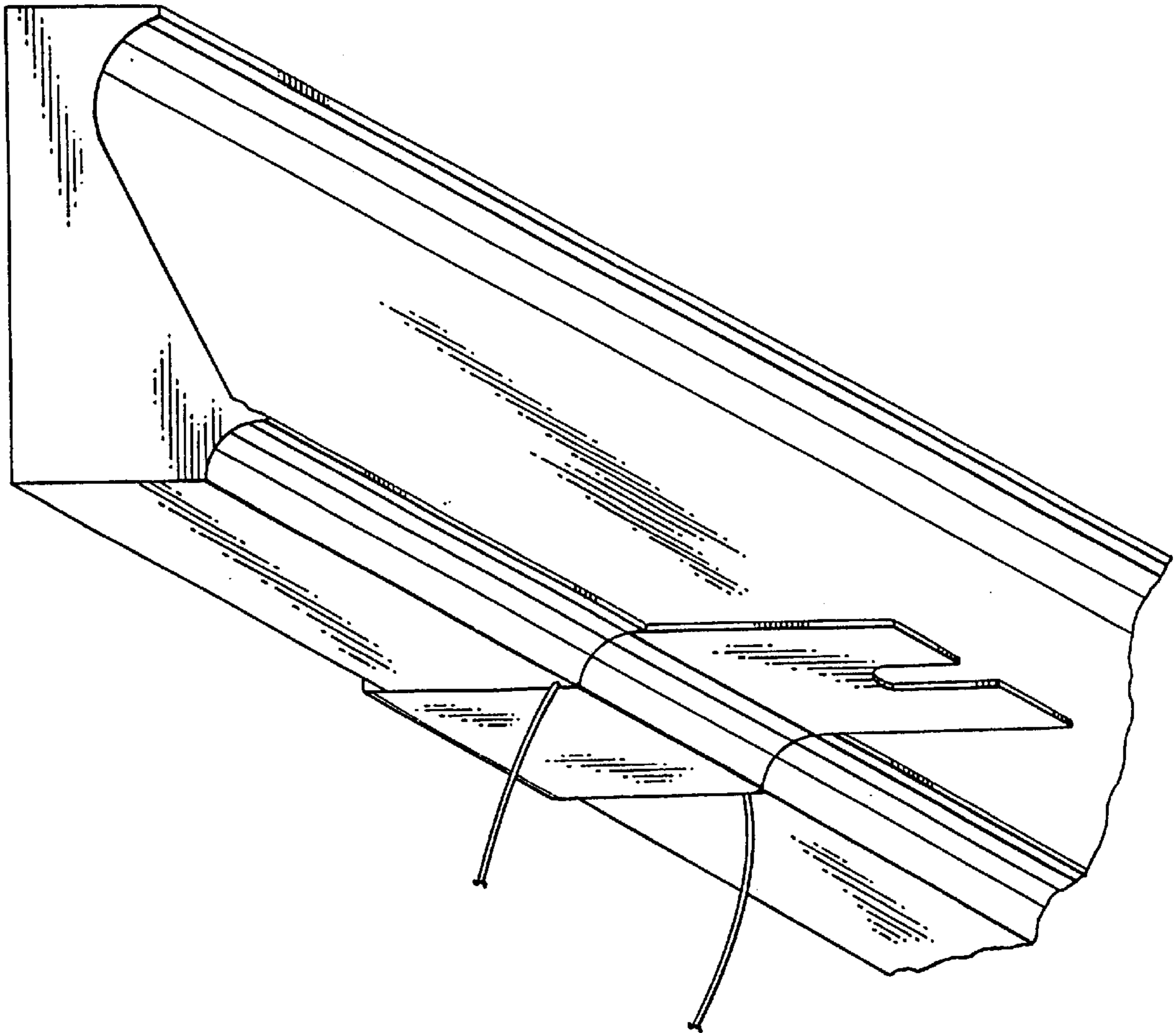
(58) **Field of Search** **D25/164, 2, 119;**
4/496, 504, 506

(56) **References Cited**

U.S. PATENT DOCUMENTS

D. 399,573 * 10/1998 Stegmeier et al. D25/2

1 Claim, 2 Drawing Sheets



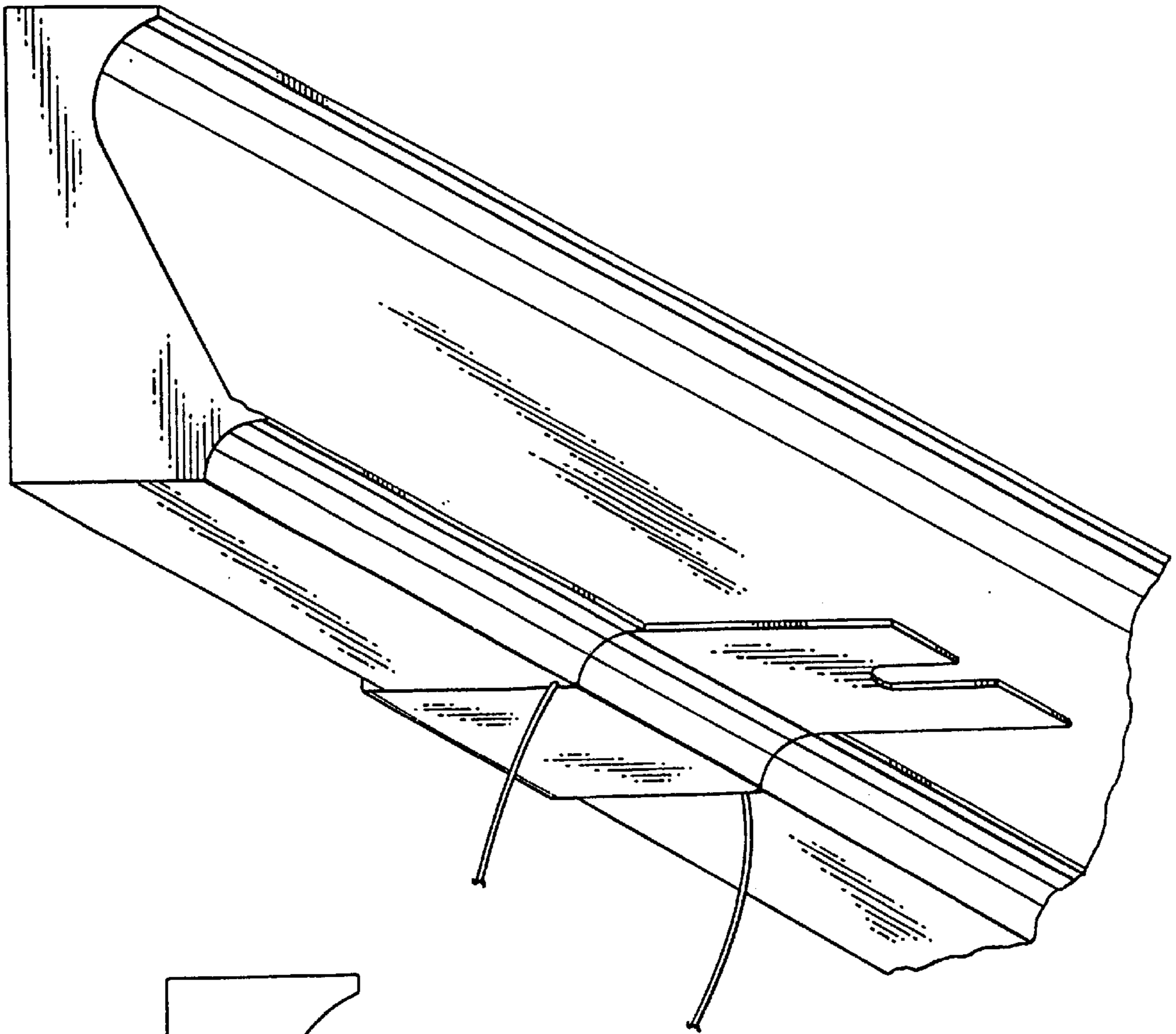


Fig. 1

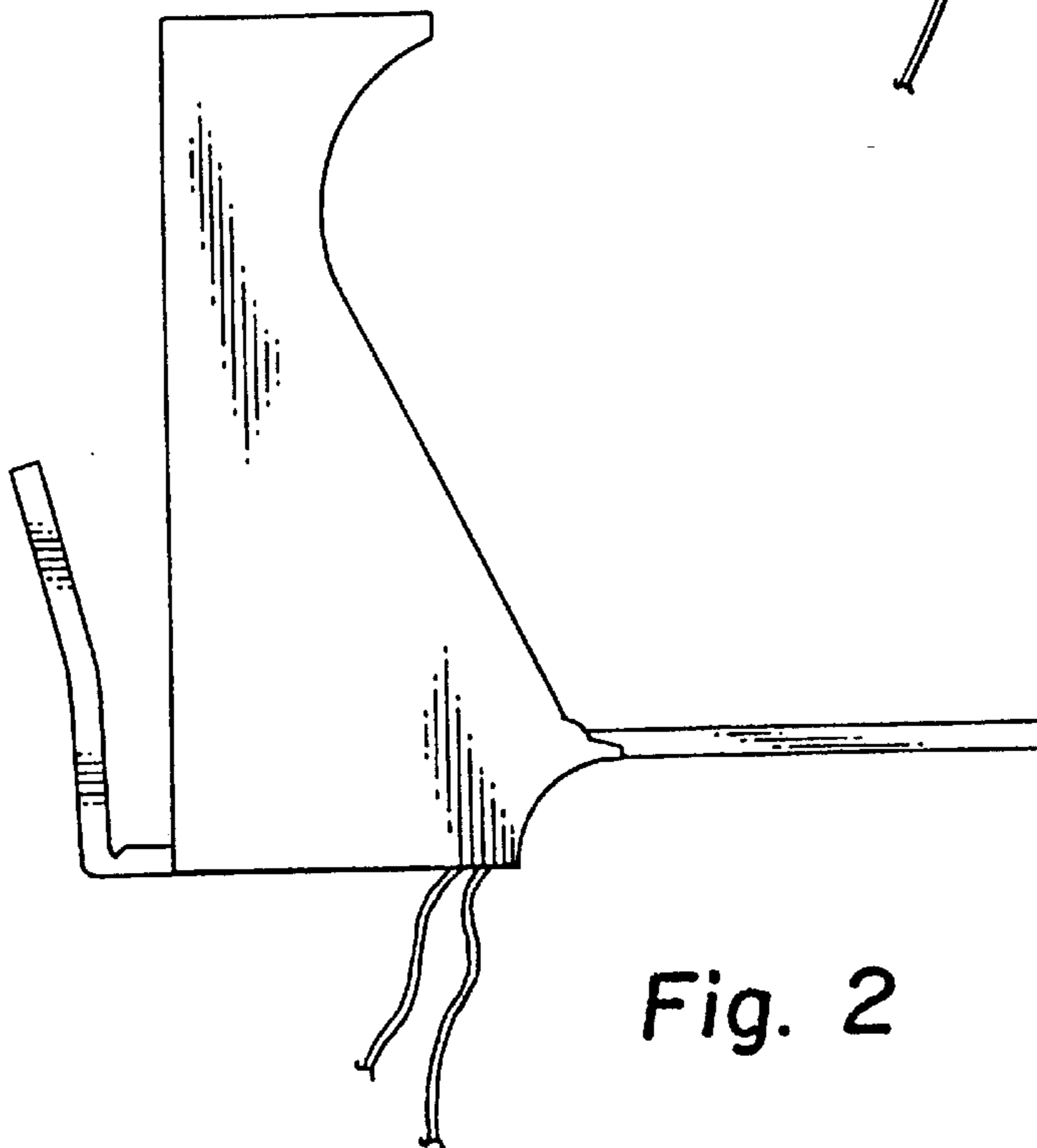


Fig. 2

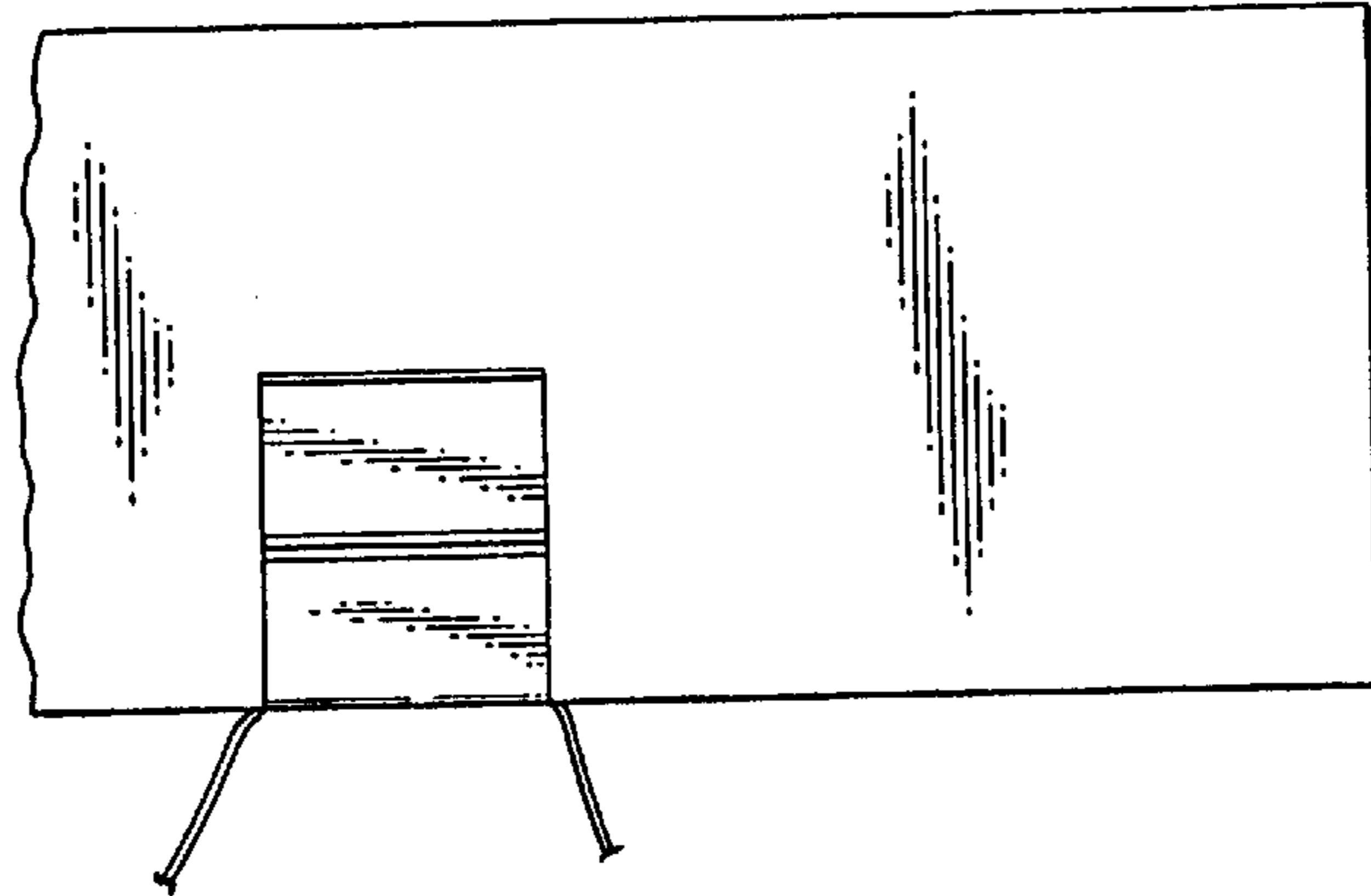


Fig. 3

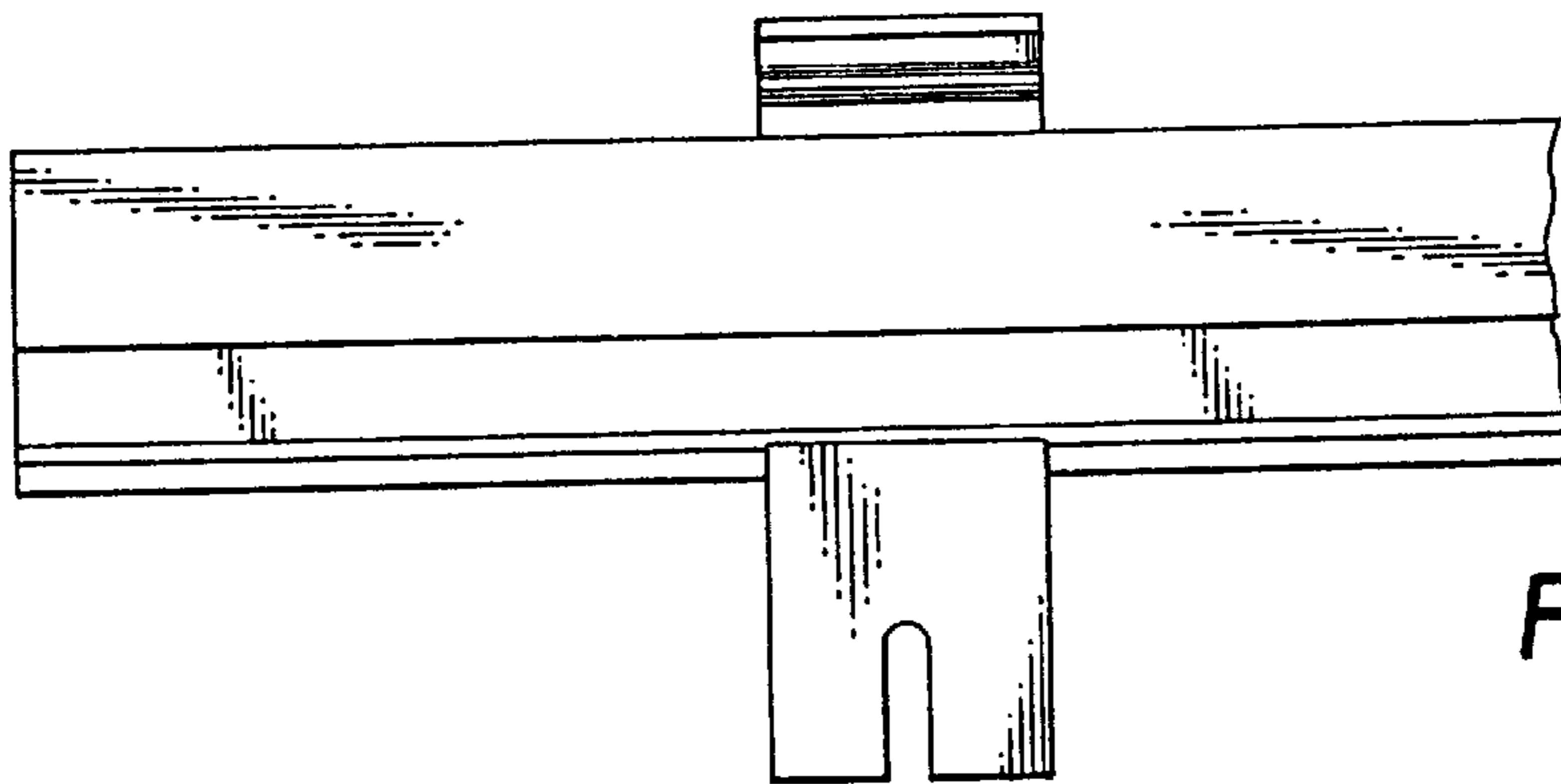


Fig. 4

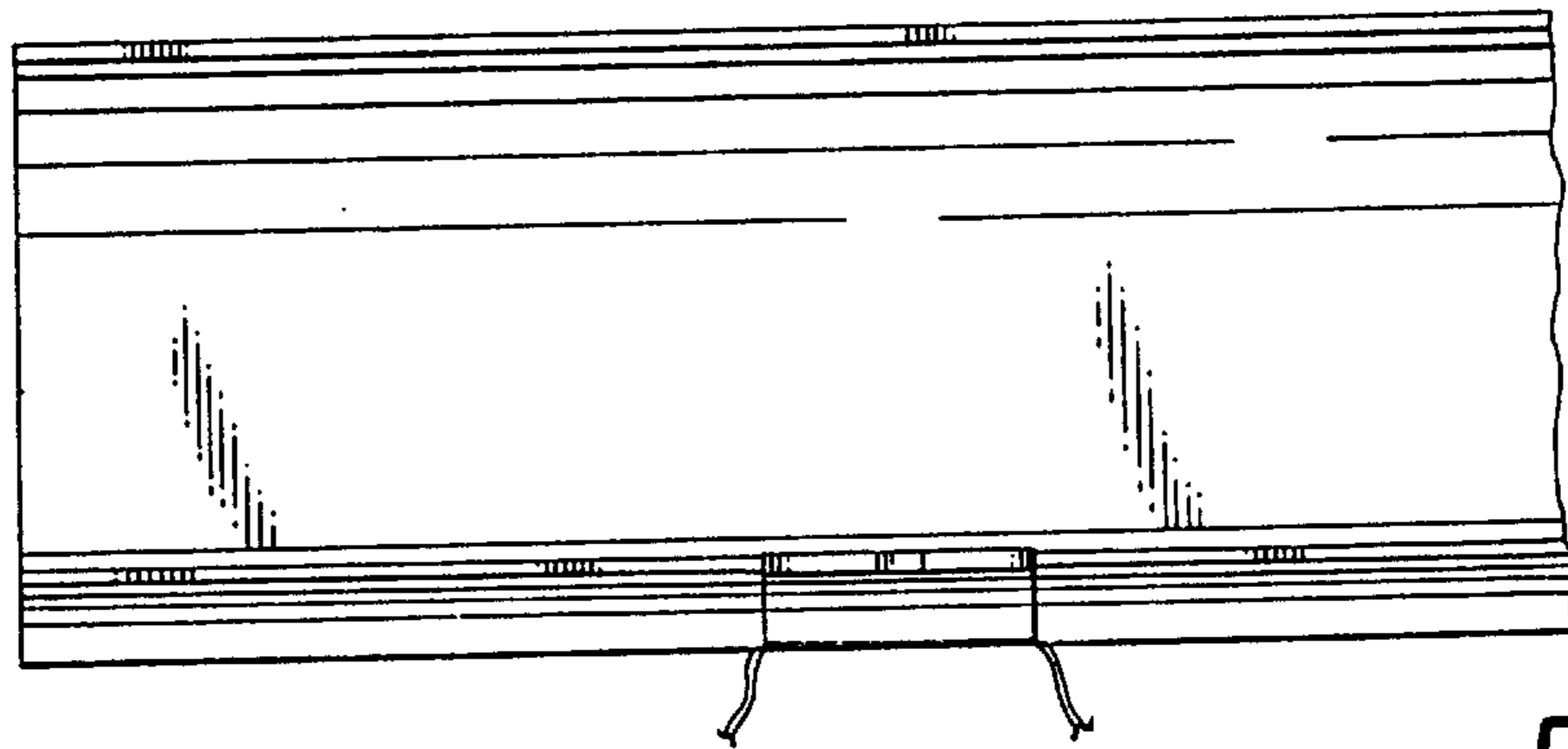


Fig. 5

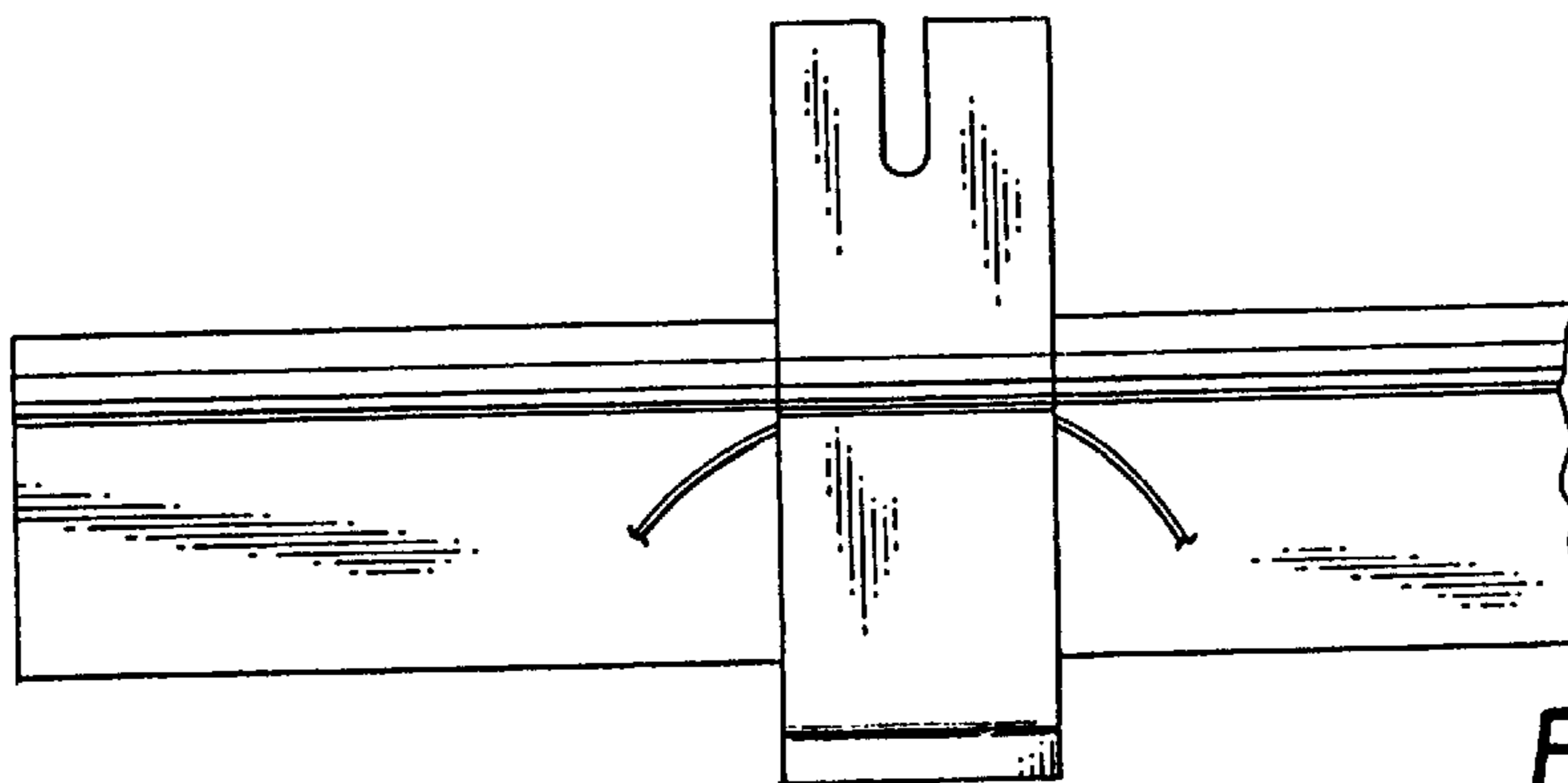


Fig. 6