



US00D449112B1

(12) **United States Design Patent**
Tudico

(10) **Patent No.:** **US D449,112 S**

(45) **Date of Patent:** **** Oct. 9, 2001**

(54) **MASSAGING APPARATUS HEAD**

(75) **Inventor:** **Gianfranco Tudico**, Bourg-lés-Valence (FR)

(73) **Assignee:** **LPG Systems (FR)**

(**) **Term:** **14 Years**

(21) **Appl. No.:** **29/135,951**

(22) **Filed:** **Jan. 23, 2001**

(30) **Foreign Application Priority Data**

Jul. 27, 2000 (XH) DM/052 649

(51) **LOC (7) Cl.** **24-02**

(52) **U.S. Cl.** **D24/215; D24/214**

(58) **Field of Search** D24/215, 214,
D24/200; 601/46, 53, 67, 69, 70, 78, 80,
81, 84, 85, 89, 93, 134, 136

(56) **References Cited**

U.S. PATENT DOCUMENTS

D. 205,877 * 9/1966 La Barber D24/214
D. 222,010 * 9/1971 Madl D24/214

D. 223,876 * 6/1972 Hilger D24/214
D. 356,162 * 3/1995 Spahr D24/215
D. 373,640 * 9/1996 Young D24/215
D. 377,222 * 1/1997 Pemberton D24/215
3,494,353 * 2/1970 Marich 601/73

* cited by examiner

Primary Examiner—Stella Reid

(74) *Attorney, Agent, or Firm*—Parkhurst & Wendel, LLP

(57) **CLAIM**

The ornamental design for the massaging apparatus head, as shown and described.

DESCRIPTION

FIG. 1 is a perspective view of a massaging apparatus head, showing my new design;
FIG. 2 is a top view thereof;
FIG. 3 is a bottom view thereof;
FIG. 4 is a front view thereof;
FIG. 5 is a rear view thereof;
FIG. 6 is a right side view thereof; and,
FIG. 7 is a left side view thereof.

1 Claim, 7 Drawing Sheets





FIG. 1

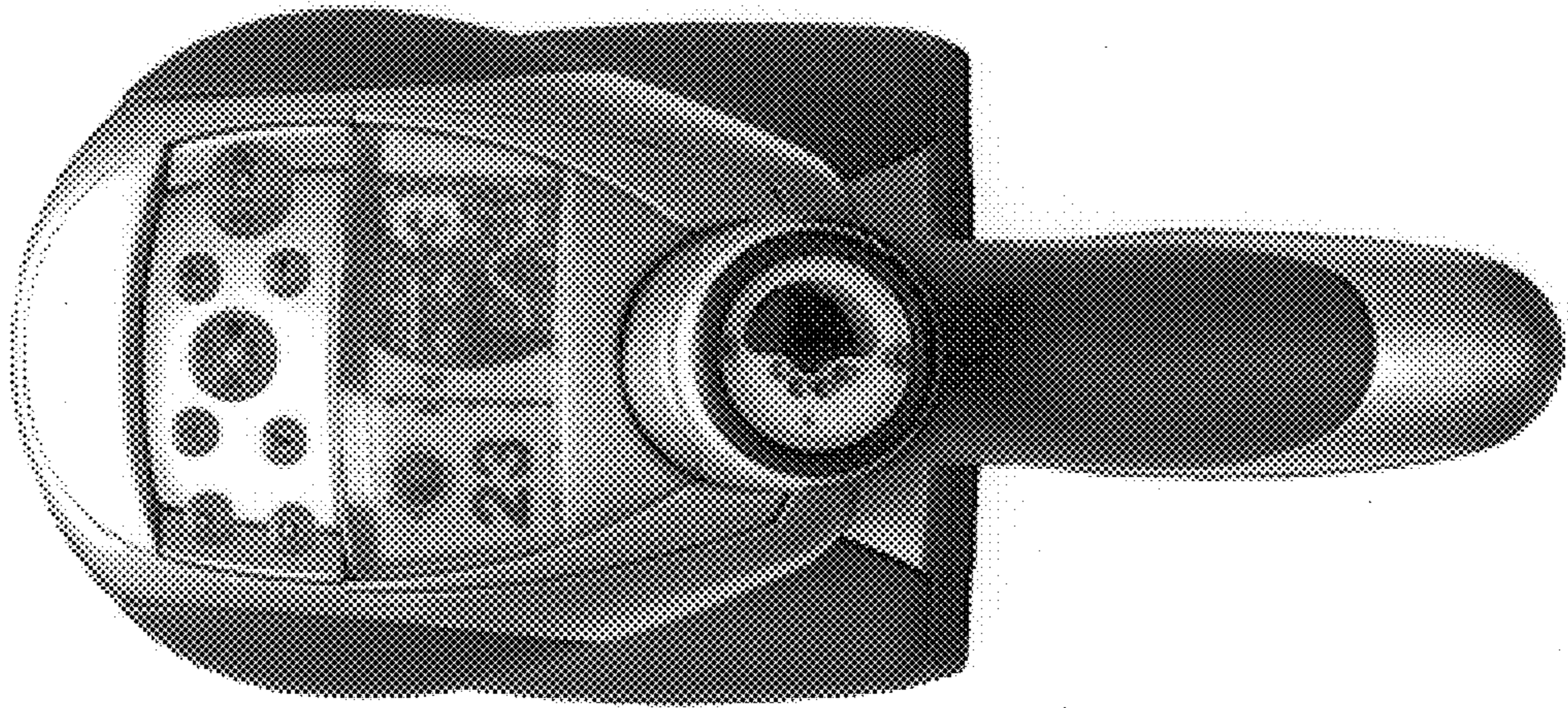


FIG. 2

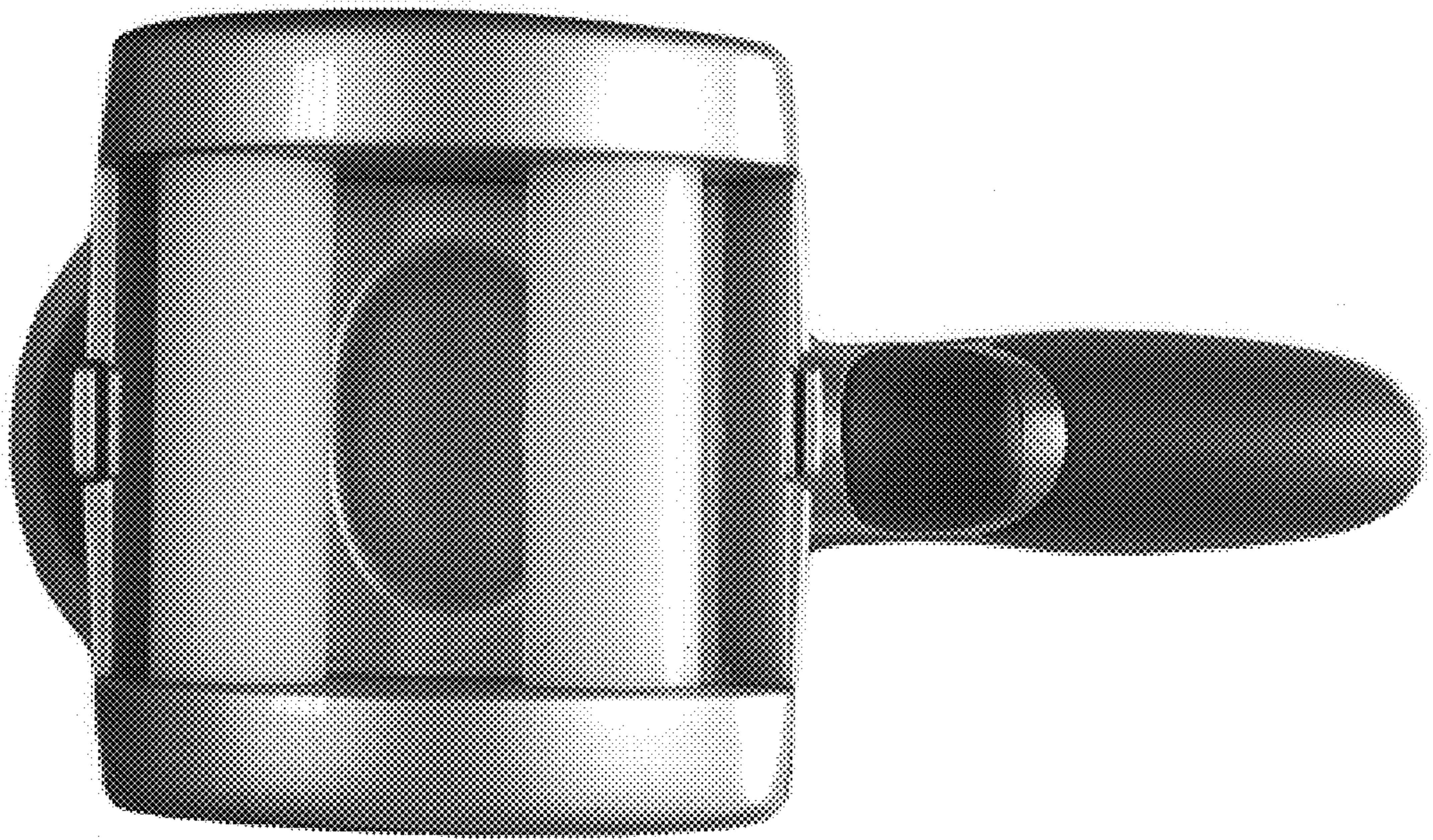


FIG. 3

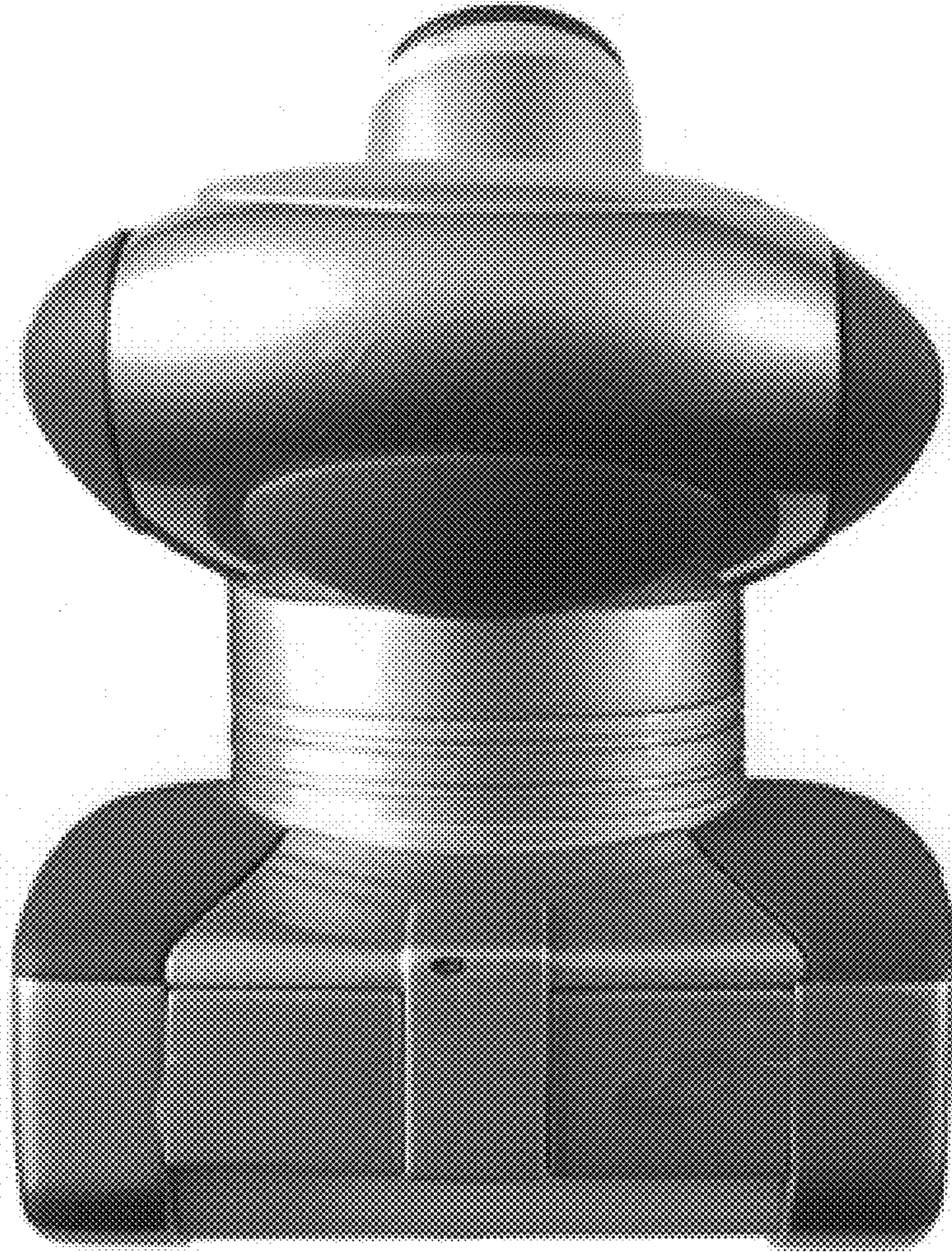


FIG. 4

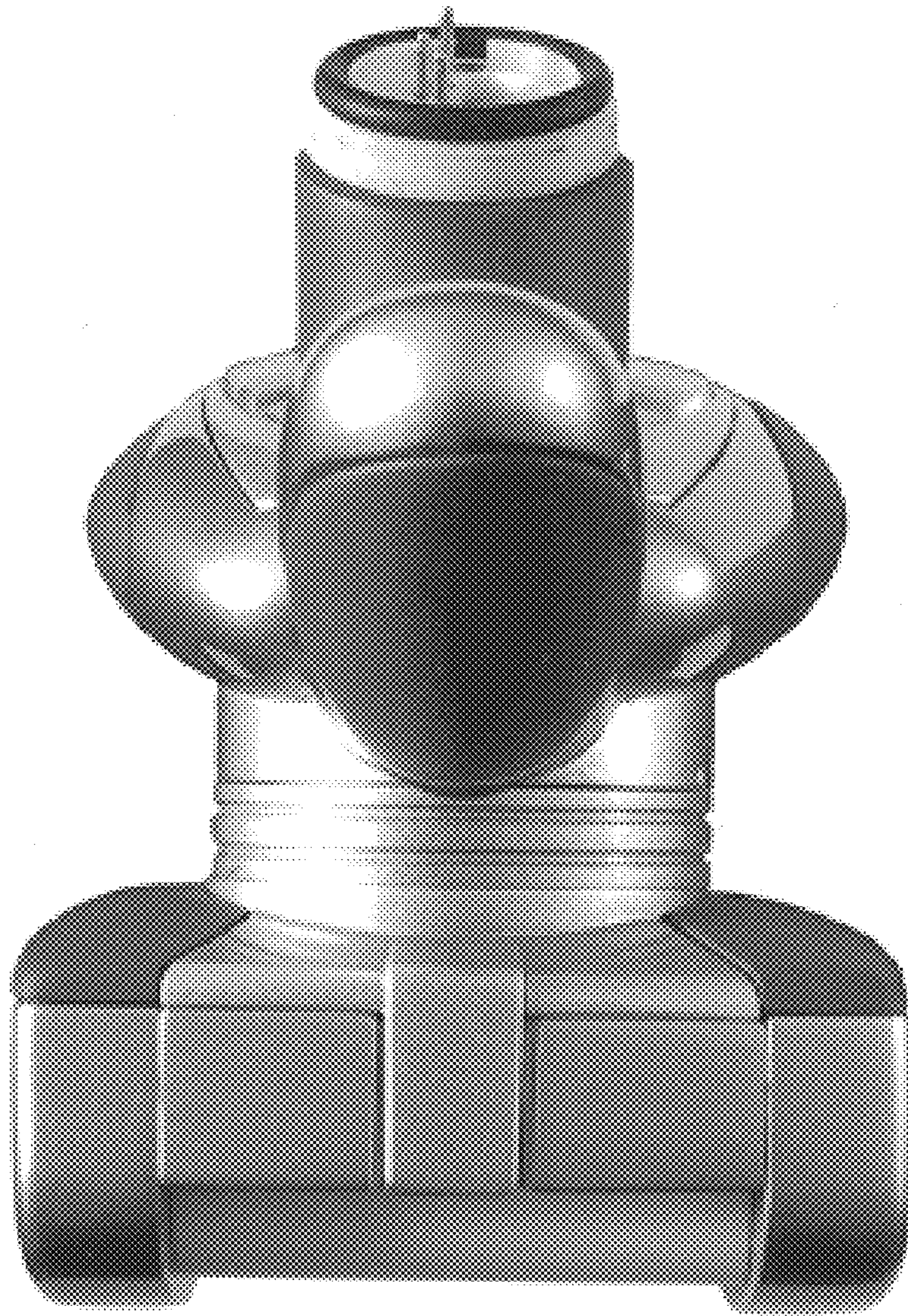


FIG. 5

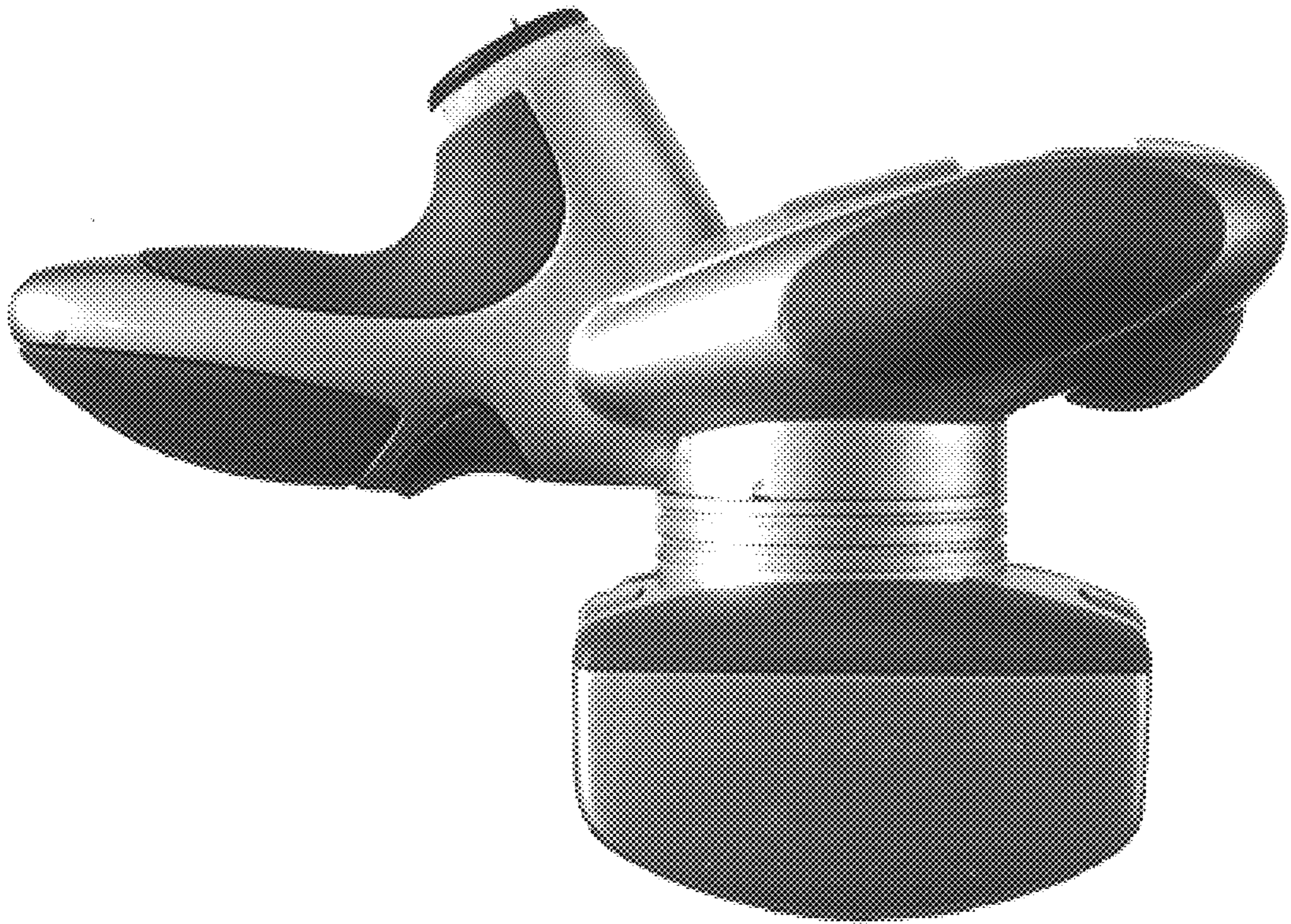


FIG. 6



FIG. 7